

LOAD KING



PARTS MANUAL LOAD KING PL 180

REVA
APRIL, 2022

WARNING Operating, servicing and maintaining this equipment can expose you to chemicals including engine exhaust, carbon monoxide, phthalates, and lead, which are known to the State of California to cause cancer and birth defects or other reproductive harm. These chemicals can be emitted from or contained in other various parts and systems, fluids and some component wear by-products. To minimize exposure, avoid breathing exhaust, do not idle the engine except as necessary, service your equipment and vehicle in a well-ventilated area and wear gloves or wash your hands frequently when servicing your equipment or vehicle and after operation. For more information go to www.P65Warnings.ca.gov/passenger-vehicle.

Breathing diesel engine exhaust exposes you to chemicals known to the State of California to cause cancer and birth defects or other reproductive harm.

- Always start and operate the engine in a well-ventilated area.
- If in an enclosed area, vent the exhaust to the outside.
- Do not modify or tamper with the exhaust system.
- Do not idle the engine except as necessary.

For more information go to www.P65warnings.ca.gov/diesel.

LOAD KING WARRANTY

Load King (herein after referred to as the COMPANY) warrants all products manufactured by it and purchased by you to be free from defects in material and manufacture at the time of shipment, for one (1) year from date of delivery. The COMPANY will furnish replacements for such parts as the COMPANY finds to have been defective at the time of delivery or, at the COMPANY's option, will make or authorize repairs to such parts, provided that, upon request, such parts are returned, transportation is prepaid to the factory from which they were shipped.

This warranty shall not apply to any Product which has been subjected to misuse, misapplication, overloading, neglect (including but not limited to use of unauthorized parts or attachments), adjustments or repair. Engines, motor, tires, wheels, suspensions, axles, etc. and any accessories furnished with or used in the COMPANY's products, but which are not manufactured by the COMPANY, are not warranted by the COMPANY but are sold only with the express warranty, if any, or the manufacturers thereof. This warranted is limited to the first purchaser/user and is not transferable.

THE FOREGOING IS IN LIEU OF ALL OTHER WARRANTIES, WHETHER EXPRESSED OR IMPLIED (INCLUDING, WITHOUT LIMITATIONS, OF MERCHANTABILITY AND FITNESS OF ANY PRODUCT FOR A PARTICULAR PURPOSE), AND OF ANY OTHER OBLIGATION OR LIABILITY ON THE PART OF THE COMPANY. THERE ARE NO WARRANTIES WHICH EXTEND BEYOND THE DESCRIPTION OF THE FACE THEREOF.

LIMITATION OF LIABILITY

It is expressly understood and agreed by you that the COMPANY's liability for its products, whether due to breach of warranty, or otherwise is limited to the furnishing of such replacement parts, F.O.B.

factory, and the COMPANY will not be liable for any other injury, loss, damage, or expense, whether direct or consequential, including but not limited to loss of use, income, profit, or production, injury to person or increase in cost of operation, spoilage of or damage to material, arising out of or in connection with the sale, installation, use or inability to use, or the repair or replacement of the COMPANY's products.

All used vehicles and/or bodies are sold in the "AS IS" condition and no expressed or implied warranty is made.

All of COMPANY'S Products are of high quality and are manufactured in conformity with the best commercial practices in the various lines. The COMPANY guarantees all Products manufactured by it to be free from defects in material and manufactured at the time of shipment, for one (1) year from date of delivery. In addition, the COMPANY guarantees the portion of the product to be considered structural for one (1) year from date of manufacture.

While Load King, LLC. designs and manufactures its specific equipment configurations to industry standards, it is ultimate responsibility of the buyer/operator to assure that all loads are properly loaded and distributed. All loads must comply with the applicable state and federal load limits.

INSTRUCTIONS FOR ORDERING PARTS

When ordering parts, contact your nearest Load King distributor and give the following information to assure prompt service:

MACHINE IDENTIFICATION:

State the model and Product Identification Number (PIN), located on the plate in the Operator's Cab.

The six digit serial number is shown on a plate on the outside front of the operator's cab for convenient access.

PART IDENTIFICATION:

State the part number, description and quantity required. Do not use the item number. Avoid using the words "Pairs" or "Sets".

SHIPPING INSTRUCTIONS:

State the invoicing address. Unless otherwise specified, invoices will be mailed to the shipping address.

State the correct shipping address and the means of shipment: parcel post, air mail, air freight, UPS, bus, etc.



REF PART.NO. DESCRIPTION

T139803 Mirror, Convex..... 1

Load King
7701 Independence Ave, Kansas City, MO
64125
Parts: (816) 241- 8387
Service: (833) 281-7911
info@loadkingmfg.com

USING THIS PARTS BOOK

This Parts Manual has been designed for optimum ease of reading and is the key to Customer-Distributor-Factory communication. Genuine replacement parts, along with interchangeable product improvements as they become available, will keep your machine in a reliable and productive condition.

The following instructions describe the features of the manual and how to use it effectively.

Use this manual also as a supplement to the Operator's Manual and Maintenance Manual when performing service procedures on the machine.



IMPORTANT

This manual lists serviceable parts for **EVERY** machine built of this model designation. Serial numbers are used to identify parts when a product improvement is made or an alternate component is used. **KNOW THE SERIAL NUMBER OF YOUR MACHINE** before searching for replacement parts.

The **PARTS CHAPTER INDEX** shows the functional arrangement of associated parts for the machine. A chapter number identifies the same chapter of parts regardless of model (Chapter 2 is always the Lower Structure). The chapters which apply to the machine are listed in numerical order.

PAGE NUMBERS are in numerical sequence within each parts chapter.

EXPLODED VIEW ILLUSTRATIONS show the relationship of assembled parts. The illustrations are keyed to an accompanying parts list on the same page or on the facing page and are positioned for ease in reading the manual.

LOCATING INDIVIDUAL PARTS

1. Turn to the PARTS CHAPTER INDEX and find the general area of the part in question. (Example: Seat would be found in “Operator’s Cab” chapter 1).
2. Refer to the parts chapter and check to see if a subsequent letter-designated chapter is used. Check the title block on the pages to determine the application of the chapter to your particular machine.

ENGINE	2
---------------	----------

FILTER	5
---------------	----------

3. Major assemblies are shown at the beginning of each chapter with page references to component parts breakdowns on the pages which follow. Briefly skim through the chapter to familiarize yourself with the information included in it. Locate the illustration and parts list which pertain to the assembly or part you desire. Compare the serial number of your machine to those which may appear on the page to be sure you are ordering the correct part.
 4. Item numbers on the illustration correspond to those in the parts list. Parts not shown with an item number are the same as identical or symmetrical parts with an item number. Parts keyed with an asterisk or other symbol are included in a repair kit. If no part number is shown, these parts cannot be ordered separately.
 5. Quantities are shown as required per component assembly unless otherwise noted.
 6. If an assembly is listed without any serviceable parts, it must be ordered complete. Serviceable parts of components are listed under the component part or a subsequent page as indicated.
 7. All hardware shown without the size listed after the noun name is specially made for the particular application and must not be substituted standard hardware.
-

TABLE OF CONTENTS

PL 180 UPPER STRUCTURE	11	AERIAL COUNTERWEIGHT (PL180)	119
SUPERSTRUCTURE INSTALLATION	13	PL 180 HOOK BLOCK OPTIONS.....	121
HOUSELOCK INSTALLATION	15	HOOK BLOCK ASSY, 1 SHEAVE, 20 TON	123
CAB MOUNT ASSEMBLY.....	17	HOOK BLOCK ASSY, 3 SHEAVE, 35 TON	125
CAB, UPPER S-PACE OPERATOR.....	19	HOOK BLOCK ASSY, 4 SHEAVE, 50 TON	127
CAB SUPPLIER ASSEMBLY.....	21	UPPER HYDRAULICS ASSEMBLY.....	129
DOOR ASSEMBLY.....	27	UPPER ELECTRICAL ASSEMBLY	157
UPPER DOOR GUIDE ASSEMBLY	29	LMI ASSEMBLY	159
FRONT WIPER ASSEMBLY	31	PIN INSTALLATION.....	165
ROOF HATCH ASSEMBLY	33	PL 180 OVERHAUL BALL OPTION.....	167
WIPER ROOF	35	OHAUL BALL ASSY, 12 TON	169
FRONT WINDSHIELD.....	37	OHAUL BALL ASSY, 8 TON	171
SEAT ASSEMBLY	39	XO MAIN WINCH CABLE OPTIONS	173
OPERATOR SEAT	41	ROTATE-RESIST CABLE 5/8 X 500	175
CAB INTERIOR INSTALLATION.....	43	WEDGE 5/8 MAIN/AUX -CABLE.....	177
FRONT UPPER DASH ASSEMBLY	47	WEDGE & SOCKET, 5/8 INCH	179
CAB ELECTRICAL INSTALLATION.....	49	STANDARD CABLE 5/8 X 500	181
BOOM ASSEMBLY	55	ROPE OPTIONS	183
JIB STOWAGE.....	73	BOOM REST INSTALLATION.....	185
JIB ASSEMBLY, 32'- 49'	77	CROSSOVER CONTROLS	187
NYLON BOOM HEAD SHEAVE 5/8 ASSEMBLY	83	CAB COVERS - NO HEATER OPTION	189
BOOM HEAD SHEAVE ASSEMBLY	85	DELUXE AC AND FLAMELESS HEATER	191
WIRE ROPE SHEAVE ASSEMBLY	87	HVAC KIT.....	195
PL 180 COUNTERWEIGHT OPTIONS	89	BLOWER UNIT	197
10,000# COUNTERWEIGHT W/AUX WINCH	91	BLOWER ASSEMBLY, AC & OIL HEAT	199
4,500# COUNTERWEIGHT W/O AUX WINCH.....	103	CONTROLLER, PROGRAMMED.....	201
4,500# COUNTERWEIGHT.....	105	HOSE & DRIVE MOUNTING KIT	203
PANEL ASSY, COVER- CTWT	107	KIT, MD 9037/47/57 MTG	205
WELDMENT, DECKING NON-HL	109	HYDRAULIC DRIVE UNIT	207
UTILITY CRANE COUNTERWEIGHT.....	111	ASSEMBLY, BELT TENSIONER	211
HEAVYLIFT INSTALLATION W/O AUX WINCH.....	113		

TABLE OF CONTENTS

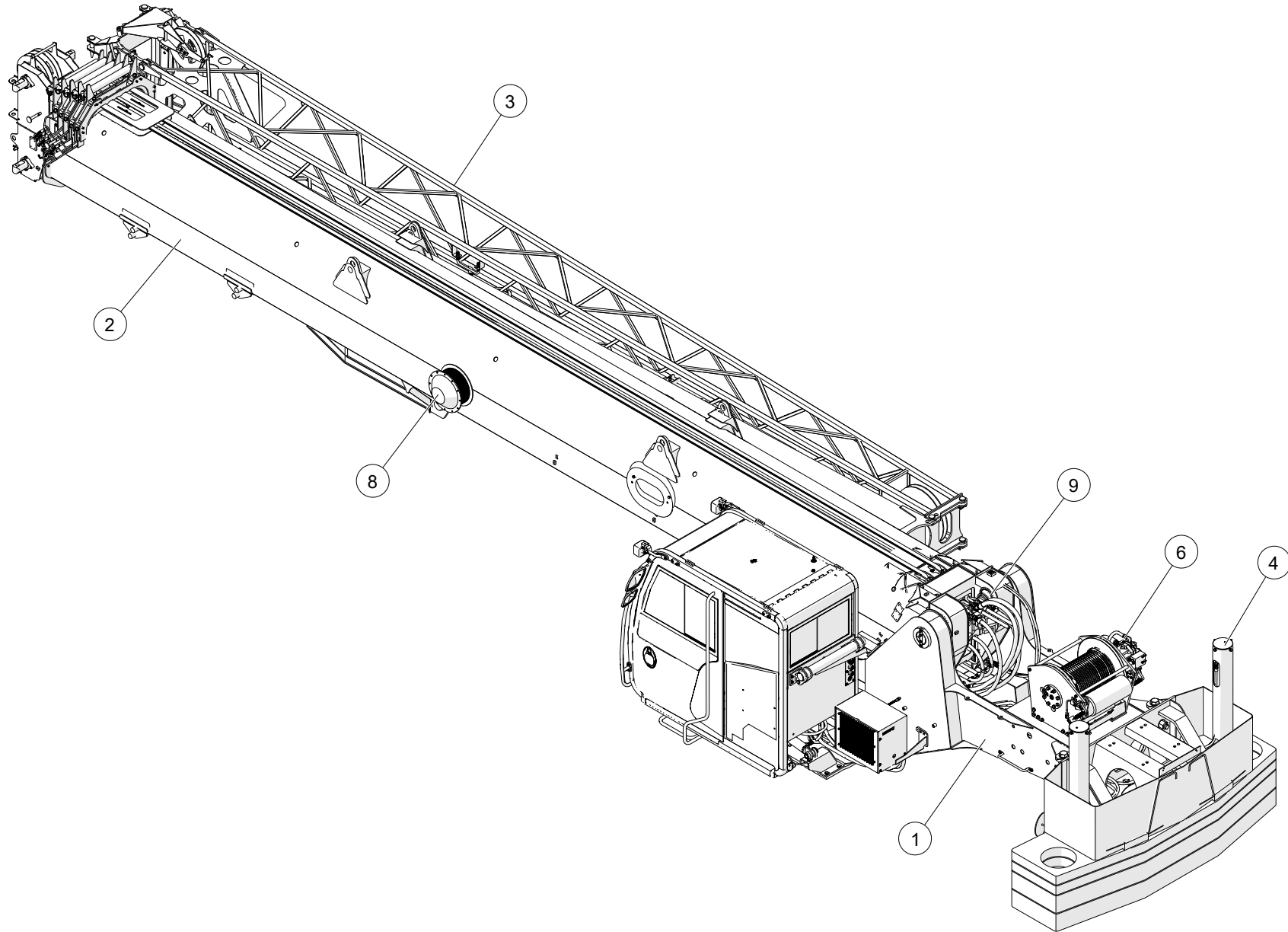
PL 180 LOWER STRUCTURE	215	MAN BASKET BRACKET ASSEMBLY	313
CENTER STRUCTURE INSTALLATION	217	LONG STRAIGHT MAN BASKET	315
DECK INSTALLATION.....	219	PL 180 BASKET STOWAGE INSTALLATION	321
PLATFORM INSTALLATION.....	221	WORK LIGHT INSTALLATION	323
PLATFORM ASSEMBLY	223	STROBE LIGHT INSTALLATION	327
MOUNTING KIT, DECK.....	225	REVOLVING AMBER LIGHT INSTALLATION	329
DECK KIT	227	NO RADIO OPTION	331
LADDER ASSEMBLY	229	RADIO OPTION	333
XO FENDER OPTIONS	231	PL 180 AUX WINCH OPTION	335
FENDERS 55 INCH AXLE CTR	233	AUX WINCH ASSEMBLY	337
FENDERS 60 INCH AXLE CTR	235	AUX HEAD ASSEMBLY	339
FENDERS 55 INCH AXLE CTR W/PUSHER.....	237	COLD WEATHER OPTIONS	341
OUTRIGGER INSTALLATION.....	239	HYD. IMMERSION HEATER, 120/240V	343
OUTRIGGER ASSEMBLY-REAR LH	241	HEATER, IMMERSION.....	345
OUTRIGGER ASSEMBLY FRONT- RH.....	243	BELLY PACK ONLY	349
OUTRIGGER ASSEMBLY- FRONT LH	245	BELLY PACK FOR LUFFING JIB.....	351
OUTRIGGER ASSEMBLY REAR -RH.....	247	PL 180 LUFFING JIB INSTALLATION.....	353
REAR BUMPER ASSEMBLY.....	249	LUFFING JIB ASSEMBLY	361
LOWER ELECTRIC ASSEMBLY	251	PL 180 TOOL CIRCUIT ASSEMBLY.....	365
LOWER HYDRAULIC ASSEMBLY	253	PL 180 INTENSIFIER	375
PUMP/PTO OPTION.....	281	PAINT & MARKING	379
PUMP ASSEMBLY, ALLISON TRANSMISSION.....	283	PL 180 MARKING OPTIONS	381
PUMP ASSEMBLY, EATON TRANSMISSION	287	PL 180 BOOM DECAL KIT	383
PL 180 XO HOSE OPTIONS	291	PL 180 CAB DECAL KIT.....	385
HOSE VARIANT, PL 180 ALLISON.....	293	PL 180 SUPER STRUCTURE DECAL KIT	387
HOSE VARIANT, PL 180 EATON	297	MANUALS	391
SWING BEARING INSTALLATION	301	PL 180 MANUAL PACKS OPTIONS.....	393
KIT, SWING BEARING INSTL.....	303	PL 180 MANUAL PACKS, EN-SP-FR.....	395
OPTIONAL EQUIPMENT	305	RECOMMENDED SPARE PARTS	397
PL 180 - MAN BASKET OPTIONS	309		
2-MAN PLATFORM INSTALLATION	311		

CHAPTER NO. 1

PL 180 UPPER STRUCTURE

PAGE INTENTIONALLY LEFT BLANK

PL 180 UPPER STRUCTURE



WHEN ORDERING PARTS, SPECIFY MODEL NUMBER, SERIAL NUMBER AND DESCRIPTION OF PARTS REQUIRED

PL 180 UPPER STRUCTURE

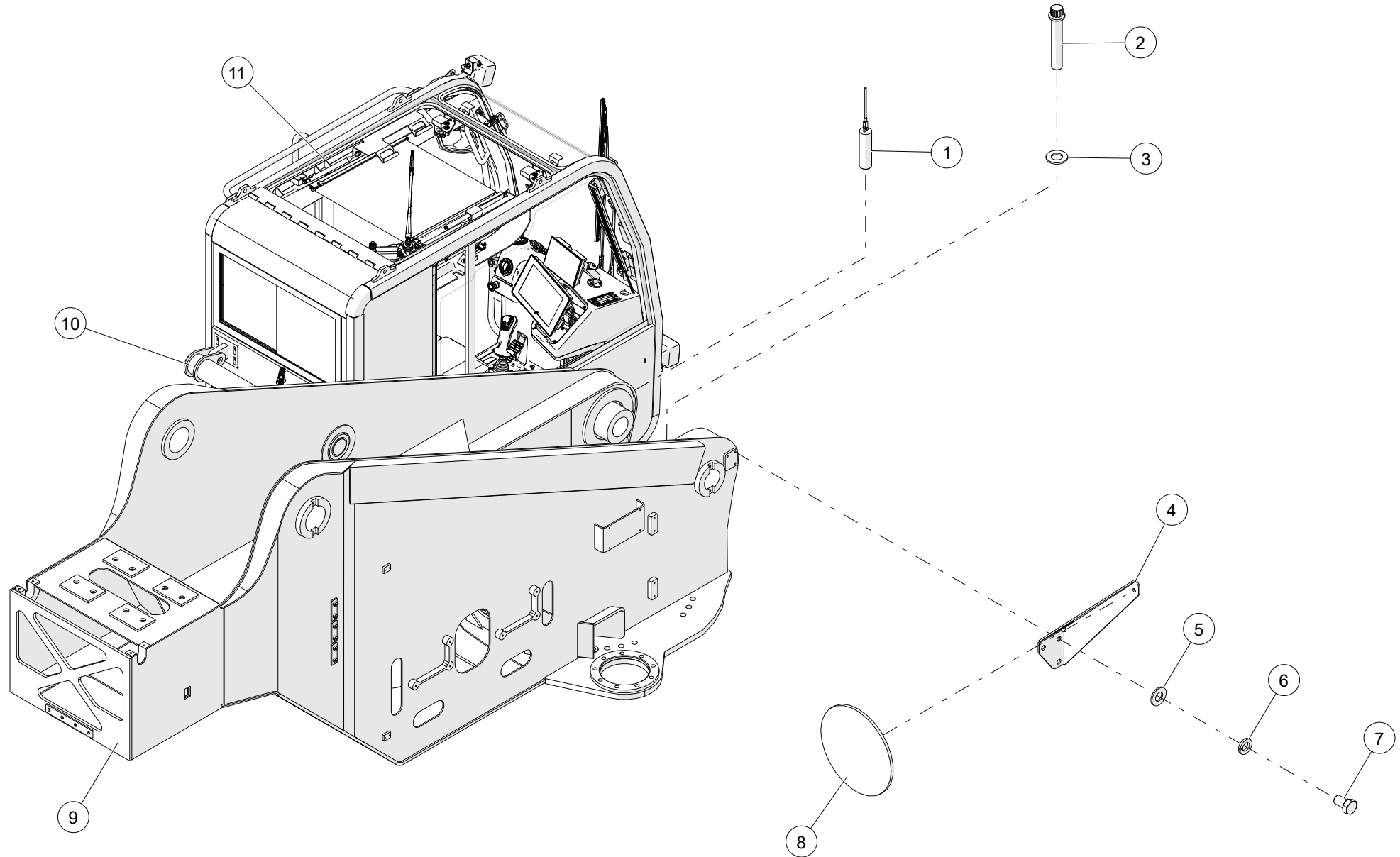
ITEM	PART NUMBER	DESCRIPTION	QUANTITY	NOTES
	PL 180	PL 180 UPPER STRUCTURE		
1	1035167	SUPERSTRUCTURE INSTALLATION	1	SEE PAGE 13
2	1032204	BOOM ASSEMBLY, 155 FT, 50TON	1	SEE PAGE 55
3	1036225	JIB STOWAGE	1	SEE PAGE 73
4	1035229**	PL 180 COUNTERWEIGHT OPTIONS	1	SEE PAGE 89
5*	1035226**	PL 180 HOOK BLOCK OPTION	1	SEE PAGE 121
6	1035156	UPPER HYDRAULICS ASSEMBLY	1	SEE PAGE 129
7*	1035203	UPPER ELECTRICAL ASSEMBLY	1	SEE PAGE 157
8	1035240	LMI ASSEMBLY	1	SEE PAGE 159
9	1033380	PIN INSTALLATION	1	SEE PAGE 165
10*	1035134	PL 180 OVERHAUL BALL OPTION	1	SEE PAGE 167
11*	1032739	XO MAIN WINCH CABLE OPTIONS	1	SEE PAGE 173
12*	1032741	ROPE OPTIONS	1	SEE PAGE 183
13*	1029840	BOOM REST INSTALLATION	1	SEE PAGE 185
14*	1031357	CROSSOVER CONTROLS	1	SEE PAGE 187
15*	1027154	CAB COVERS - NO HEATER OPTION	1	SEE PAGE 189
16*	1032800	DELUXE AC AND FLAMELESS HEATER	1	SEE PAGE 191

NOTE:

*NOT SHOWN IN THE ILLUSTRATION

**NOT SERVICEABLE AT THIS LEVEL

WHEN ORDERING PARTS, SPECIFY MODEL NUMBER, SERIAL NUMBER AND DESCRIPTION OF PARTS REQUIRED



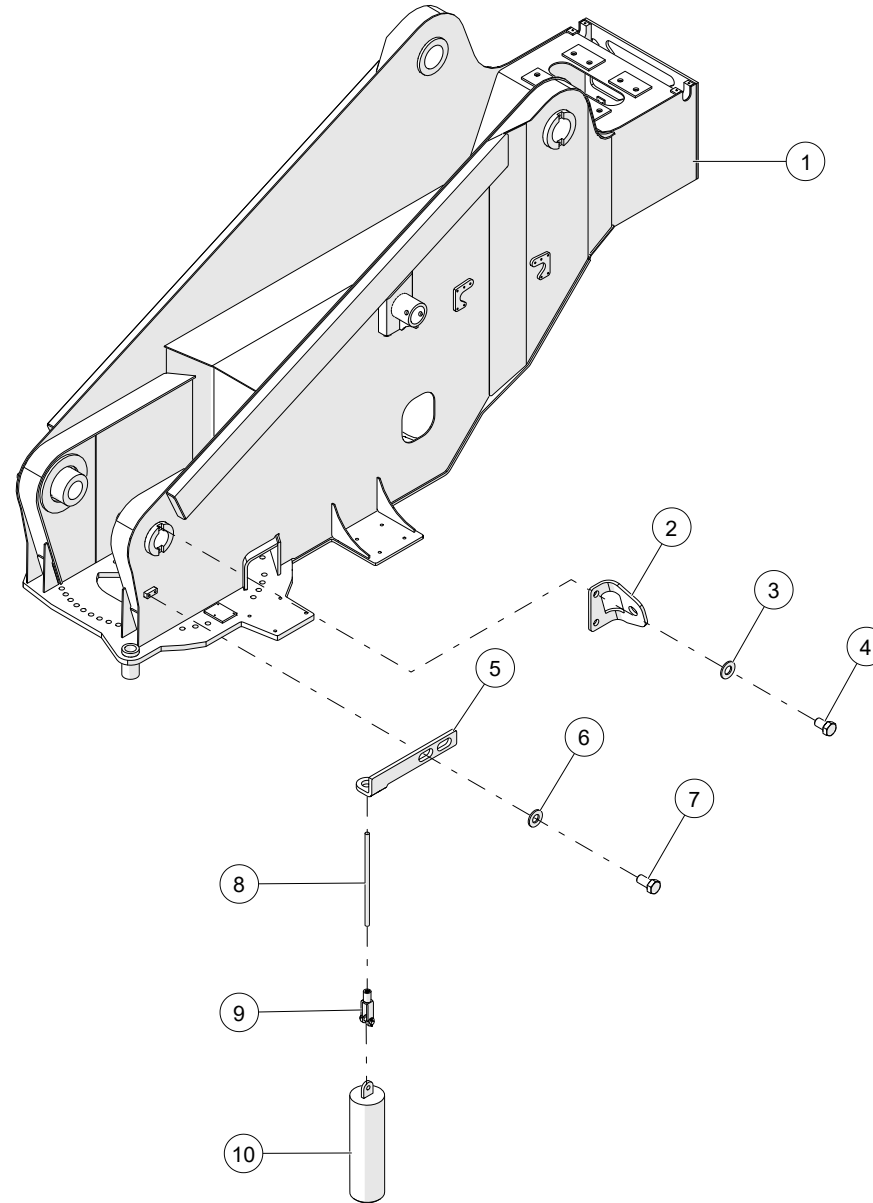
WHEN ORDERING PARTS, SPECIFY MODEL NUMBER, SERIAL NUMBER AND DESCRIPTION OF PARTS REQUIRED

SUPERSTRUCTURE INSTALLATION

ITEM	PART NUMBER	DESCRIPTION	QUANTITY	NOTES
	1035167	SUPERSTRUCTURE INSTALLATION		
1	1033797	HOUSELOCK INSTALLATION	1	SEE PAGE 15
2	FHCS-C875E009R0	FERRY HEAD CAP SCREW, 7/8-9 X 5 LEN, NF	36	
3	WSH2-X8750008Z0	SAE WASHER, 7/8, GR8, ZN	36	
4	722-0046	MIRROR BRACKET	1	
5	WSH2-X3750008Z0	SAE WASHER, 3/8, GR8, ZN	3	
6	WSH4-X3750008Z0	SPIRAL LOCK WASHER, 3/8, GR8, ZN	3	
7	HHCS-C3756258Z0	HEX HEAD CAP SCREW, 3/8-16 X 5/8 LEN, GR8, ZN	3	
8	706-9604	MIRROR	1	
9	1035072	WELDMENT, SUPERSTRUCTURE	1	
10	1033397	CAB MOUNT ASSEMBLY	1	SEE PAGE 17
11	1031096	CAB, UPPER S-PACE OPERATOR (T130300)	1	SEE PAGE 19

WHEN ORDERING PARTS, SPECIFY MODEL NUMBER, SERIAL NUMBER AND DESCRIPTION OF PARTS REQUIRED

HOUSELOCK INSTALLATION



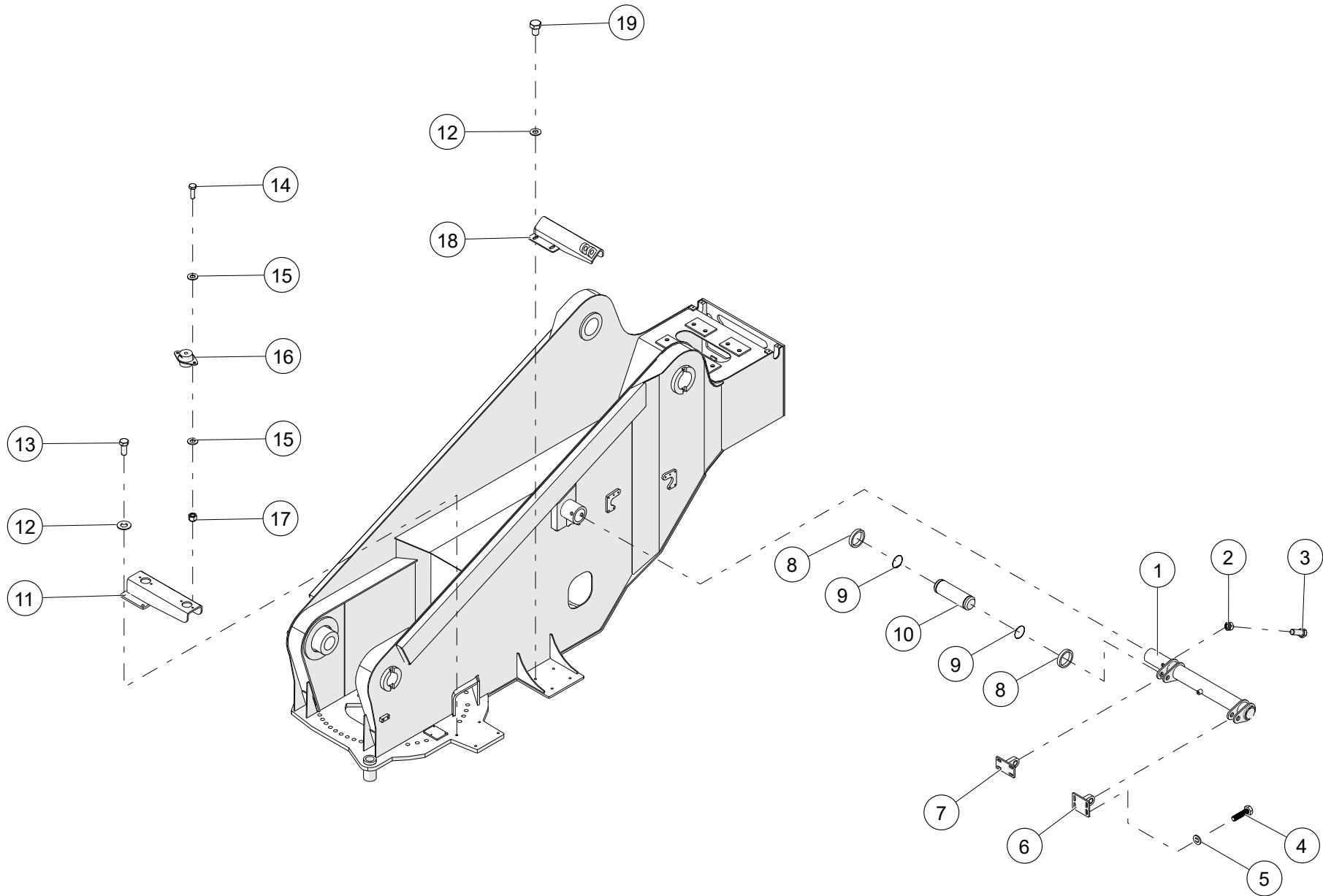
WHEN ORDERING PARTS, SPECIFY MODEL NUMBER, SERIAL NUMBER AND DESCRIPTION OF PARTS REQUIRED

HOUSELOCK INSTALLATION

ITEM	PART NUMBER	DESCRIPTION	QUANTITY	NOTES
	1033797	HOUSELOCK INSTALLATION		
1	1035072	WELDMENT, SUPERSTRUCTURE	1	
2	1039581	PLATE, HOUSELOCK MOUNT	1	
3	WSH1-X3750008Z0	WASHER, 3/8, GR8, ZN	2	
4	HHCS-C3756258Z0	HEX HEAD CAP SCREW, 3/8-16 X 5/8 LEN, GR8, ZN	2	
5	1033800	PLATE, BENT HOUSELOCK	1	
6	WSH2-X5000008Z0	SAE WASHER, 1/2, GR8, ZN	2	
7	HHCS-C500A008Z0	HEX HEAD CAP SCREW, 1/2-13 X 1 LEN, GR8, ZN	2	
8	1033897	HOUSELOCK, PUSH PULL CABLE	1	
9	1033804	FORGED CLEVIS ROD END	1	
10	1033796	WELDMENT, HOUSELOCK PIN	1	

WHEN ORDERING PARTS, SPECIFY MODEL NUMBER, SERIAL NUMBER AND DESCRIPTION OF PARTS REQUIRED

CAB MOUNT ASSEMBLY



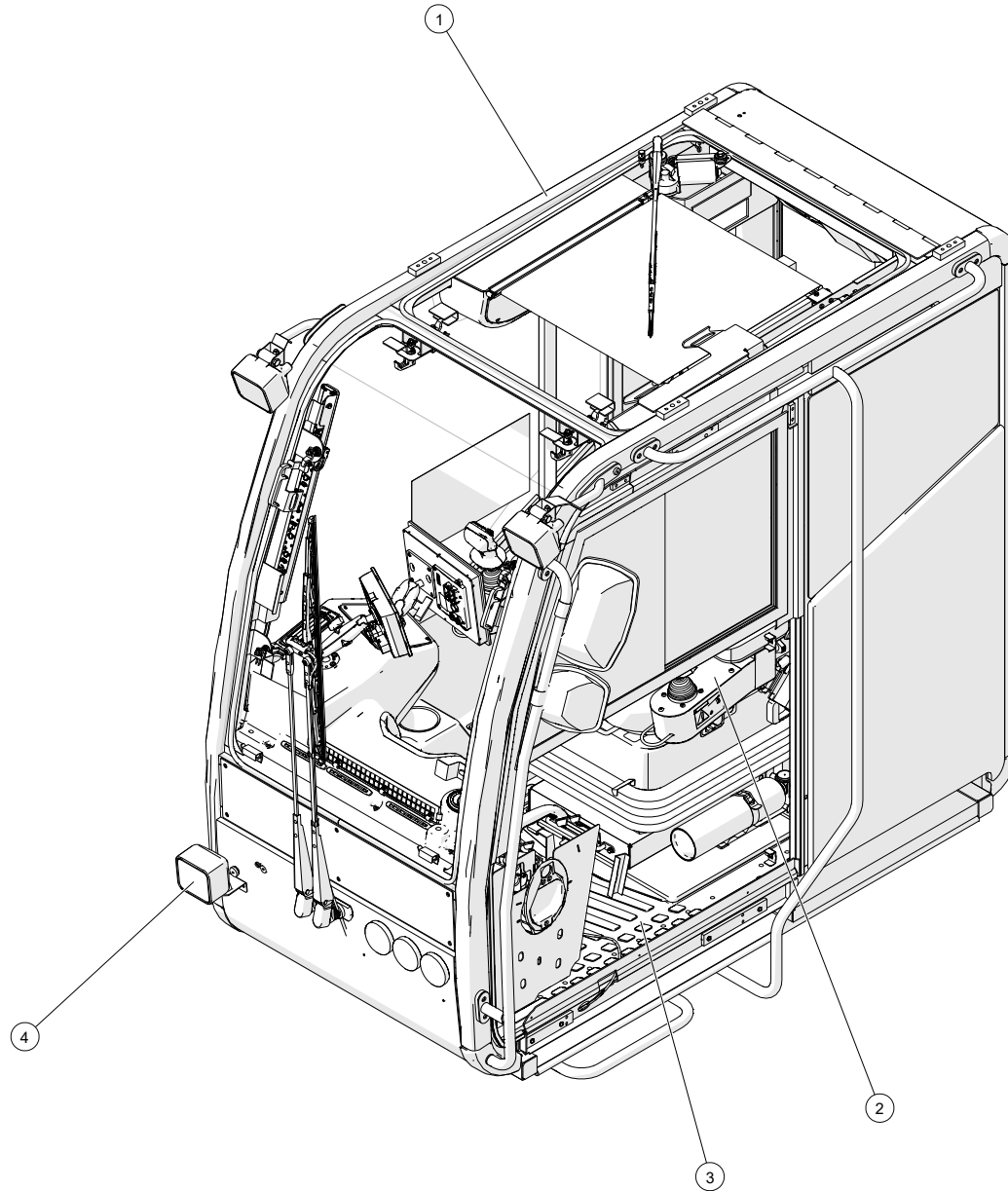
WHEN ORDERING PARTS, SPECIFY MODEL NUMBER, SERIAL NUMBER AND DESCRIPTION OF PARTS REQUIRED

CAB MOUNT ASSEMBLY

ITEM	PART NUMBER	DESCRIPTION	QUANTITY	NOTES
	1033397	CAB MOUNT ASSEMBLY		
1	1033394	MOUNT, PIVOT CAB	1	
2	NUT3-C7500008M0	NYLON LOCK NUT, 3/4-10, GR8, MA	1	
3	HHCS-C750E508M0	HEX HEAD CAP SCREW, 3/4-10 X 5 1/2 LEN, GR8, MA	1	
4	91310A635	SCR, HHCS M10-1.5X40 FT, ST Z 10.9	8	
5	93475A280	WSH, FLAT, HARD M10 D125, ST Z	8	
6	1006905	PIVOT ASSY, CAB TILT	1	
7	1006919	PIVOT ASSY, CAB TILT	1	
8	1008757	SPACER	4	
9	1006929	SNAP RING	4	
10	1006907	PIN, CLEVIS HEADLESS, 1.125	2	
11	1035139	WELDMENT, FRONT BRACKET	1	
12	WSH2-X6250008Z0	SAE WASHER, 5/8, GR8, ZN	8	
13	HHCS-C625A508Z0	HEX HEAD CAP SCREW, 5/8-11 X 1 1/2 LEN, GR8, ZN	4	
14	HHCS-C375A258R0	HEX HEAD CAP SCREW, 3/8-16 X 1 1/4 LEN, GR8, NF	4	
15	WSH2-X3750008Z0	SAE WASHER, 3/8, GR8, ZN	8	
16	1006928	MOUNT	2	
17	NUT3-C3750008Z0	NYLON LOCK NUT, 3/8-16, GR8, ZN	4	
18	1035140	WELDMENT, REAR BRACKET	1	
19	HHCS-C6258758Z0	HEX HEAD CAP SCREW, 5/8-11 X 7/8 LEN, GR8, ZN	4	

WHEN ORDERING PARTS, SPECIFY MODEL NUMBER, SERIAL NUMBER AND DESCRIPTION OF PARTS REQUIRED

CAB, UPPER S-SPACE OPERATOR



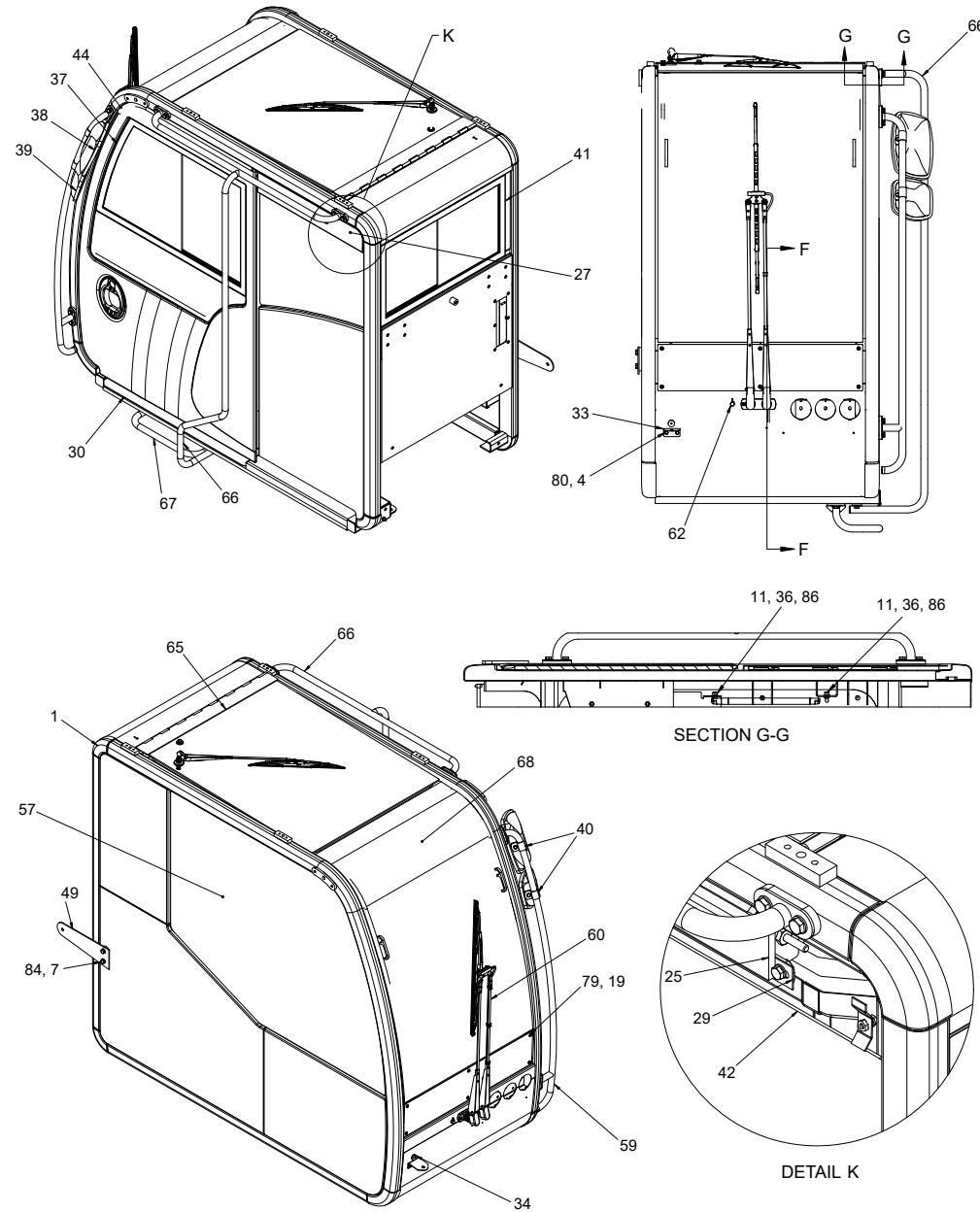
WHEN ORDERING PARTS, SPECIFY MODEL NUMBER, SERIAL NUMBER AND DESCRIPTION OF PARTS REQUIRED

CAB, UPPER S-SPACE OPERATOR

ITEM	PART NUMBER	DESCRIPTION	QUANTITY	NOTES
	1031096	CAB, UPPER S-SPACE OPERATOR		
1	1035037	CAB SUPPLIER ASSEMBLY	1	SEE PAGE 21
2	1025700	SEAT ASSEMBLY	1	SEE PAGE 39
3	1035053	CAB INTERIOR INSTALLATION	1	SEE PAGE 43
4	1027132	CAB ELECTRICAL INSTALLATION	1	SEE PAGE 49
5*	1031104	CAB UPPER HARNESS	1	
	NOTE:	* NOT SHOWN IN THE ILLUSTRATION		

WHEN ORDERING PARTS, SPECIFY MODEL NUMBER, SERIAL NUMBER AND DESCRIPTION OF PARTS REQUIRED

CAB SUPPLIER ASSEMBLY



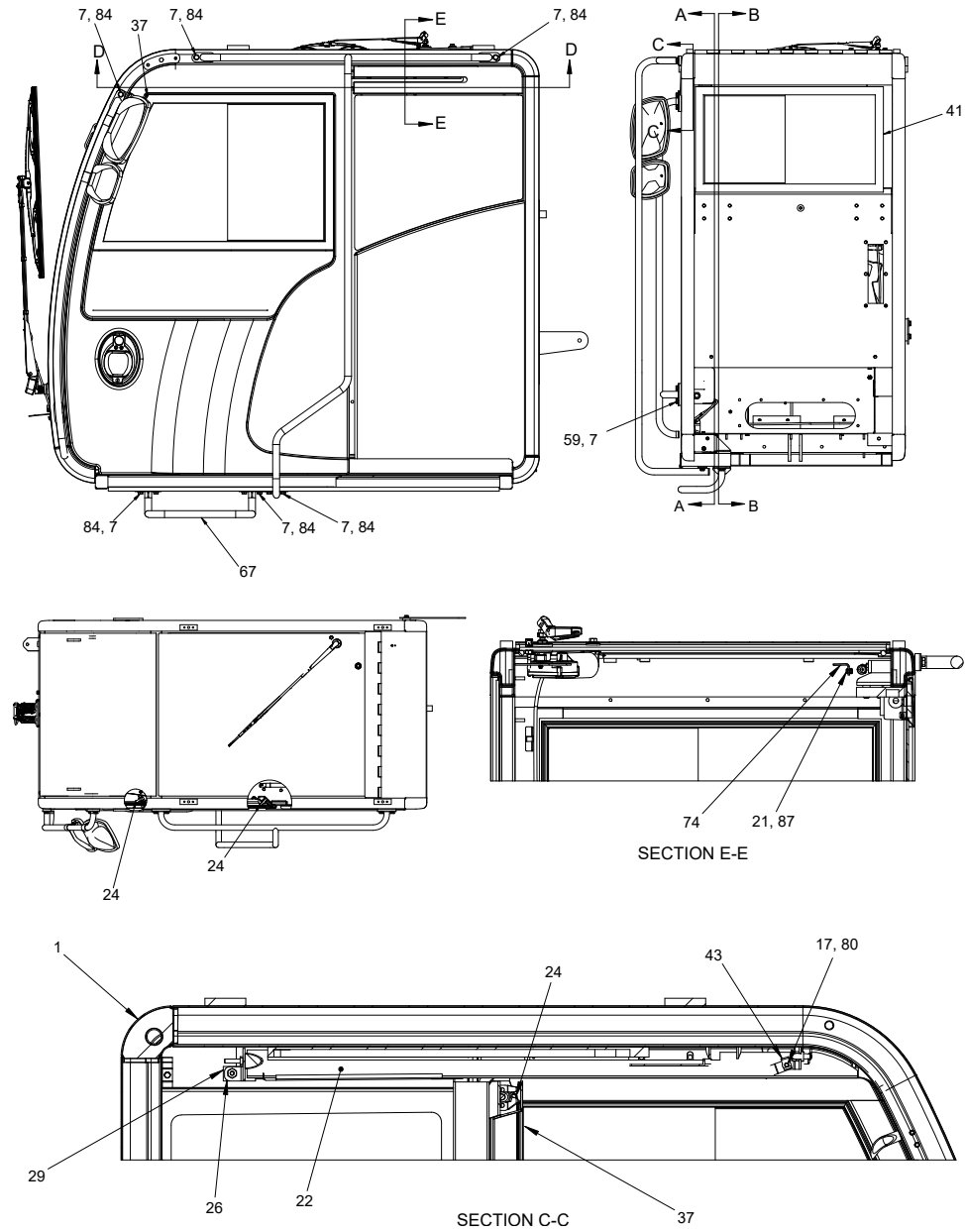
WHEN ORDERING PARTS, SPECIFY MODEL NUMBER, SERIAL NUMBER AND DESCRIPTION OF PARTS REQUIRED

CAB SUPPLIER ASSEMBLY

ITEM	PART NUMBER	DESCRIPTION	QUANTITY	NOTES
	1035037	CAB SUPPLIER ASSEMBLY		
1	1035036	CAB FRAME WELDMENT	1	
2	12400-1513	DECAL, WINDOW	1	
3	HHCS-M06A012PZ0	HEX HEAD CAP SCREW, M6-1 X 12, C8.8	1	
4	HHCS-M06A014PZ0	HEX HEAD CAP SCREW, M6-1 X 14, C8.8	2	
5	HHCS-M06A016PZ0	HEX HEAD CAP SCREW, M6-1 X 16, C8.8	25	
6	HHCS-M08B016PZ0	HEX HEAD CAPS SCREW, M8-1.25 X 16, C8.8	4	
7	HHCS-M10C014PZ0	HEX HEAD CAP SCREW, M10-1.5 X 14, C8.8	16	
8	HHCS-M10C018PZ0	HEX HEAD CAP SCREW, M10-1.5 X 18, C8.8	3	
9	HHCS-M508010PZ0	HEX HEAD CAP SCREW, M5-.8 X 10, C8.8	2	
10	NUT1-M12D0005Z0	HEX NUT, M12 X 1.75, GRADE 5 ZINC	1	
11	NUT3-C3130005Z0	NYLON LOCK NUT, 5/16-18, GR5, ZN	2	
12	NUT3-M06A000PZ0	NYLON INSERT NUT, M6-1, STL Z C8	5	
13	NUT3-M08B000PZ0	NYLON HEX NUT, M8-1.25, STL Z C8	2	
14	NUT3-M12D000PZ0	NYLON HEX NUT, M12-1.75, STL Z C8	1	
15	SH02-M06A025QZ0	SHCS, COUNTER SUNK, M6-1 X 25, C10.9	5	
16	SH03-M06A010PZ0	SHCS BUTTON HEAD, M6-1 X 10, C8.8	4	
17	SH03-M06A016PZ0	SHCS BUTTON HEAD, M6-1 X 16, C8.8	9	
18	SH03-M06A020PB0	SHCS BUTTON HEAD, M6 X 1, C8.8 BLK OX	4	
19	SH03-M06A022PB0	SHCS BUTTON HEAD, M6-1 X 22, BLK OX C8.8	6	
20	SH03-M08B020PZ0	SHCS BUTTON HEAD, M8-1.25 X 20, C8.8	2	
21	SH03-M508010QZ0	SHCS BUTTON HEAD, M5 - 0.8 X 10, C10.9	2	
22	T106057	BRUSH, DOOR	1	
23	T106063	STUD, DOOR STOP	1	
24	T106067	STUD, DOOR STOP	3	
25	T106080	SEAL, DOOR	1	
26	T106086	BRACKET, DOOR STRIKER	1	
27	T106546	COVER, DOOR	1	
28	T106551	CLIP DOOR	1	
29	T106755	BRACKET, DOOR	1	
30	T106773	ANTI-SLIP TAPE	1	

WHEN ORDERING PARTS, SPECIFY MODEL NUMBER, SERIAL NUMBER AND DESCRIPTION OF PARTS REQUIRED

CAB SUPPLIER ASSEMBLY



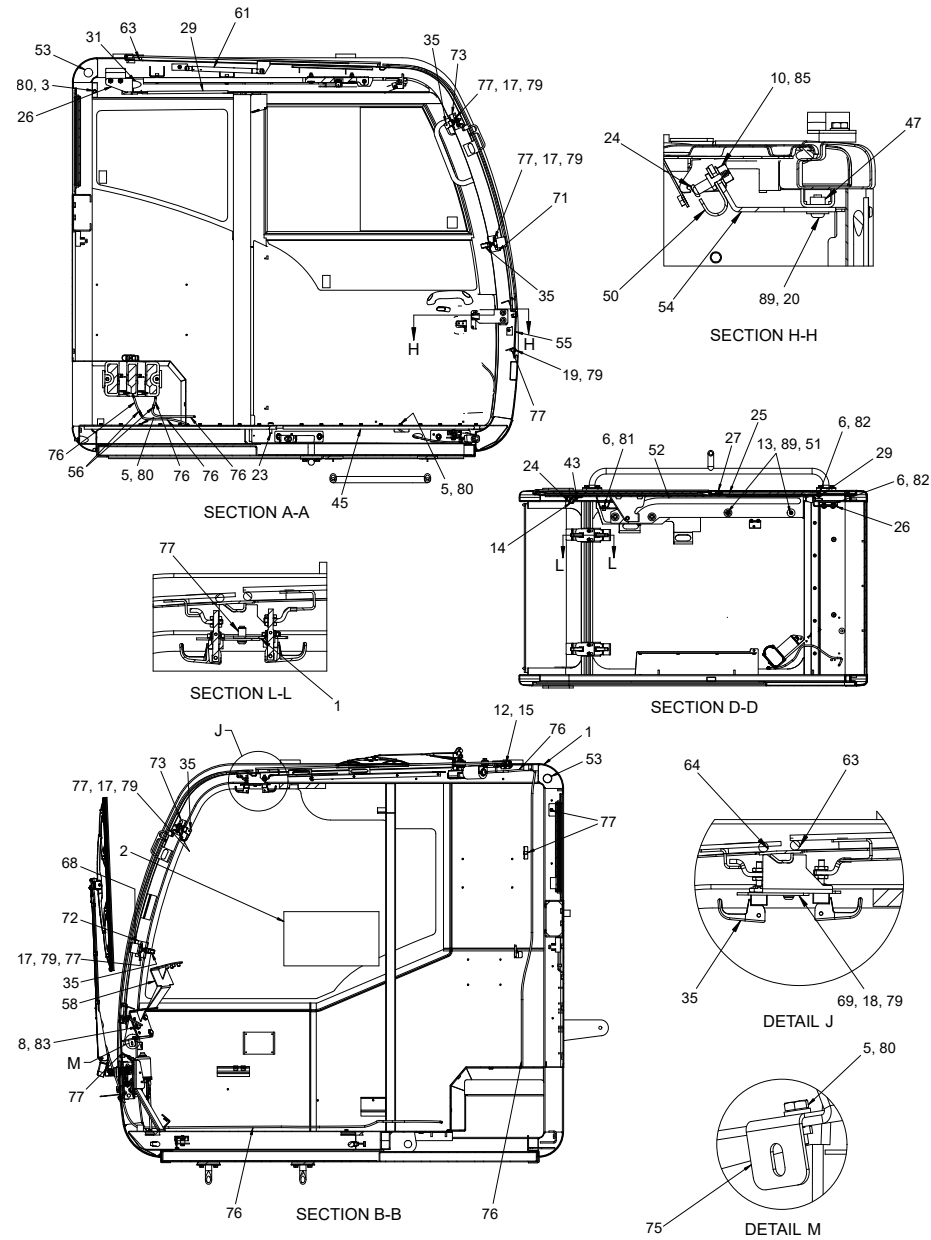
WHEN ORDERING PARTS, SPECIFY MODEL NUMBER, SERIAL NUMBER AND DESCRIPTION OF PARTS REQUIRED

CAB SUPPLIER ASSEMBLY

ITEM	PART NUMBER	DESCRIPTION	QUANTITY	NOTES
	1035037	CAB SUPPLIER ASSEMBLY		
31	T111645	STOP, DOOR	1	
32	T111646	STOP, DOOR	1	
33	T111784	BRACKET, LIGHT MOUNTING	1	
34	T111785	GROMMET	1	
35	T111841	LATCH, WINDOW	8	
36	T111848	STUD, GAS CYLINDER MOUNTING	2	
37	T111882	DOOR ASSEMBLY	1	SEE PAGE 27
38	T111920	MIRROR, UPPER	1	
39	T111921	MIRROR, LOWER	1	
40	T111922	MIRROR MOUNT KIT	2	
41	T111952	WINDOW, REAR	1	
42	T111953	GLASS LEFT REAR	1	
43	T112319	NUT, CLIP ON M6-1	1	
44	T112363	SEAL, BULB	1	
45	T121363	GUIDE, FRONT LOWER DOOR	1	
46	T121364	GUIDE, REAR LOWER DOOR	1	
47	T121368	BLOCK, THREADED M8-1.25	1	
48	T121506	RESERVOIR, WIPER WASHER FLUID	1	
49	T121507	PLATE, HARNESS SUPPORT	1	
50	T121983	BRACKET, DOOR LATCH	1	
51	T121985	SPACER, M15 OD X 15	2	
52	T122302	UPPER DOOR GUIDE ASSEMBLY	1	SEE PAGE 29
53	T122644	PLUG, RIGID PLASTIC	2	
54	T123705	PLATE, DOOR LATCH	1	
55	T124357	PANEL, FRONT LOGO	1	
56	T125126	VALVE, WASHER CHECK	2	
57	T125247	GLASS, RIGHT SIDE	1	
58	T127126	BRACKET, MONITOR MOUNTING	1	
59	T134545	HANDLE, FRONT CAB ENTRY	1	
60	T134724	FRONT WIPER ASSEMBLY	1	SEE PAGE 31

WHEN ORDERING PARTS, SPECIFY MODEL NUMBER, SERIAL NUMBER AND DESCRIPTION OF PARTS REQUIRED

CAB SUPPLIER ASSEMBLY



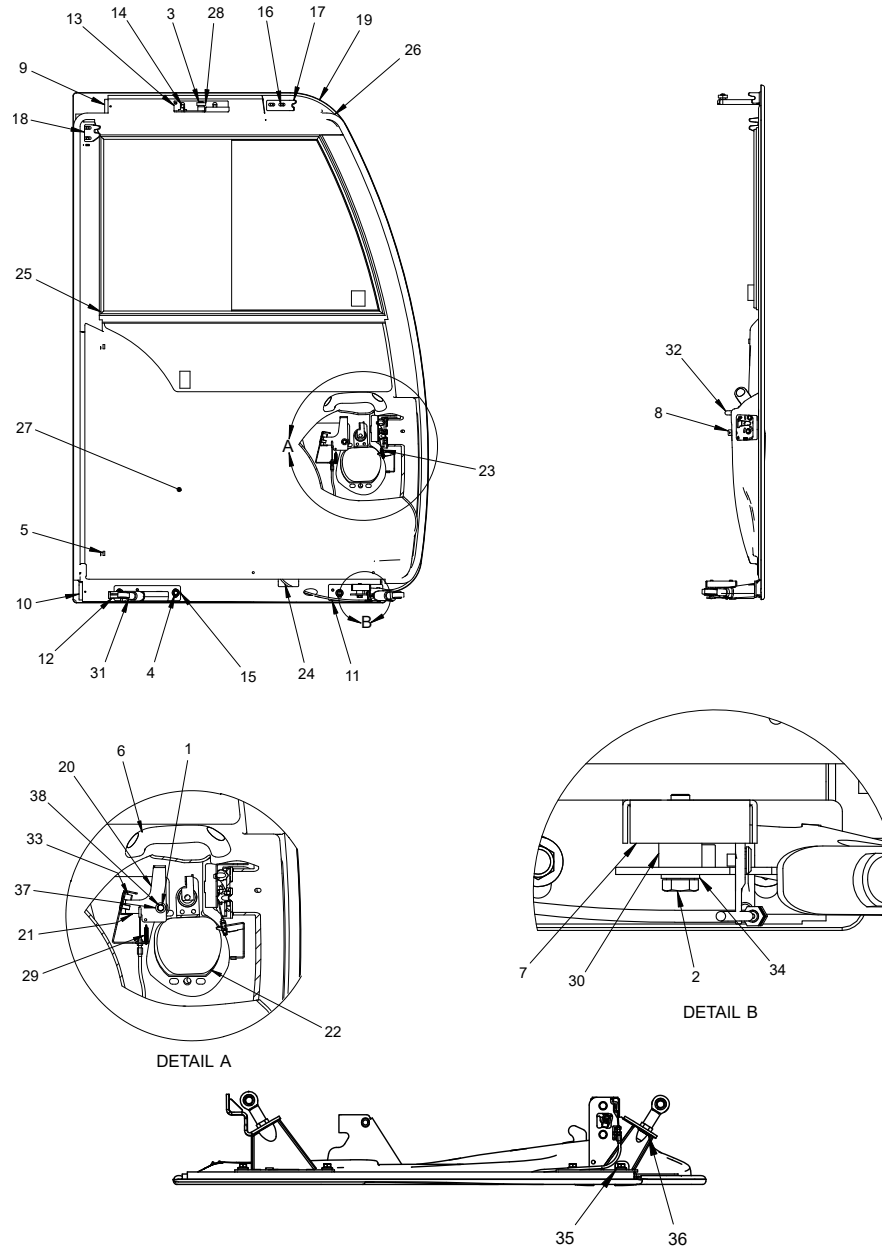
WHEN ORDERING PARTS, SPECIFY MODEL NUMBER, SERIAL NUMBER AND DESCRIPTION OF PARTS REQUIRED

CAB SUPPLIER ASSEMBLY

ITEM	PART NUMBER	DESCRIPTION	QUANTITY	NOTES
	1035037	CAB SUPPLIER ASSEMBLY		
61	T135177	CYLINDER, ROOF LIFTING GAS	1	
62	T135271	SPRAYER, WIPER MIST	1	
63	T135614-3360	SEAL, BULB	1	
64	T135614-3845	SEAL, BULB	1	
65	T135765	ROOF HATCH ASSEMBLY	1	SEE PAGE 33
66	T136466	HANDLE, CAB ENTRY	1	
67	T136585	HANDLE, LOWER CAB ENTRY	1	
68	T138734	WINDSHIELD, FRONT	1	SEE PAGE 37
69	T140285	PLATE, LATCH MOUNTING	2	
70	T140287	PLATE, FRONT GLASS REST	2	
71	T141573	BRACKET, LEFT WINDOW LATCH	1	
72	T141574	BRACKET, RIGHT WINDOW LATCH	1	
73	T141575	BRACKET, RIGHT WINDOW LATCH	2	
74	T142654	BRACKET, SUNSHADE MOUNTING	1	
75	T147294	BRACKET, RELAY MOUNT	1	
76	T148370	TUBING, 3/16" ID	231	TO BE ORDERED IN INCHES
77	V01-06AM014-20	RVT, FLGHD M6 X 1 X 14.73, ST	28	
78	V01-407M011-20	RVT, FLGHD M6 X 0.7X 11.94, ST	1	
79	WSH1-X06A000XB0	WASHER, M6, STL BLK OX	18	
80	WSH1-X06A000XZ0	WASHER, M6, STEEL, ZINC PLATED	33	
81	WSH1-X08B000PZ0	WASHER, FLAT M8 DIN125, ST SQC	1	
82	WSH1-X08B000XZ0	WASHER, M8, STEEL, ZINC PLATED	3	
83	WSH1-X10C000PZ0	WASHER, M10, STEEL, ZINC PLATED, CL 8.8	3	
84	WSH1-X10C000XZ0	WASHER, M10, STEEL, ZINC PLATED	16	
85	WSH1-X12D000XZ0	WASHER, M12, STEEL, ZINC PLATED	1	
86	WSH1-X3130002Z0	WASHER, 5/16, GR2, ZN	2	
87	WSH1-X508000XB0	WASHER, M5, STEEL, BLACK OXIDE	2	
88	WSH1-X508000XZ0	WASHER, M5, STEEL, ZINC PLATED	2	
89	WSH3-X08B000XZ0	WASHER, FENDER, M8, STEEL, ZINC PLATED	4	

WHEN ORDERING PARTS, SPECIFY MODEL NUMBER, SERIAL NUMBER AND DESCRIPTION OF PARTS REQUIRED

DOOR ASSEMBLY



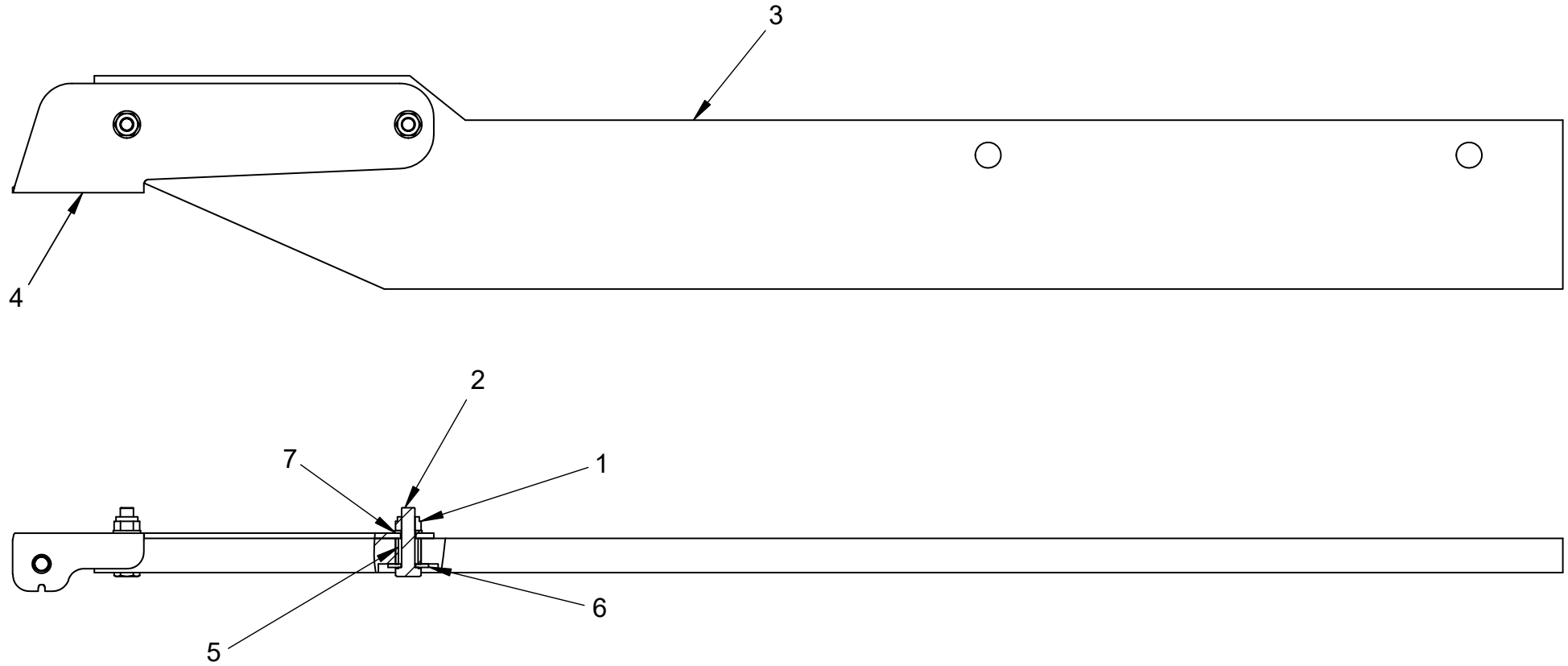
WHEN ORDERING PARTS, SPECIFY MODEL NUMBER, SERIAL NUMBER AND DESCRIPTION OF PARTS REQUIRED

DOOR ASSEMBLY

ITEM	PART NUMBER	DESCRIPTION	QUANTITY	NOTES
	T111882	DOOR ASSEMBLY		
1	HHCS-M06A020PZ0	SCR, HHCS, M6-1 X 20, ZINC, CLASS 8.8	1	
2	HHCS-M08B035PZ0	SCR, HHCS, M8-1.25 X 35, ZINC, CLASS 8.8	2	
3	RET3-X07A000XP0	RING, E-CLIP M7, BLK PHOS	1	
4	S13-10CM020-28	HEX FLANGE SCREW, AM, M10 X1.5 X20	4	
5	T112317	NUT, CLIP-ON, M5-0.8	2	
6	T126005	HANDLE DOOR	1	
7	T126006	LATCH, LOWER DOOR	1	
8	T126007	LATCH, MAIN DOOR	1	
9	T126008	STOP, UPPER RUBBER	1	
10	T126009	STOP, LOWER RUBBER	1	
11	T126010	BRACKET, LOWER FRONT ROLLER	1	
12	T126011	BRACKET, LOWER REAR ROLLER	1	
13	T126012	BRACKET, UPPER ROLLER	1	
14	T126013	BLOCK, THREADED, M10 X 1.5	2	
15	T126014	BLOCK, THREADED, M10 X 1.5	1	
16	T126015	BLOCK, THREADED, M8 - 1.25	2	
17	T126016	BRACKET, UPPER LATCH	1	
18	T126017	BRACKET, REAR LATCH	1	
19	T126018	DOOR WELDMENT	1	
20	T126019	BRACKET, DOOR RELEASE	1	
21	T126020	BRACKET, RELEASE STOP	1	
22	T126021	HANDLE, EXTERIOR DOOR	1	
23	T126022	CABLE, DOOR OPEN	1	
24	T126023	CABLE, DOOR RELEASE	1	
25	T126024	GLASS, DOOR	1	
26	T126025	SEAL DOOR	1	
27	T126026	PLASTIC, INTERIOR DOOR	1	
28	T126057	ROLLER	1	
29	T126058	SPRING RELEASE	1	
30	T126059	SPACER, M18ODX10	2	
31	T126060	ROD END, BALL JOINT, M14 X 2-D14	2	
32	T126153	HANDLE, DOOR RELEASE	1	
33	V01-06AM017-Y2	RVT, FLGHD M6 X 1.0X 17.27-GRIP 4.20-6.60	2	
34	WSH1-X08B000PZ0	WASHER, M8, STEEL, ZINC	2	
35	WSH1-X10C000XZ0	WASHER, M10, STEEL, ZINC PLATED	4	
36	WSH1-X14E000XZ0	WASHER, M14, STEEL, ZINC	1	
37	WSH3-X06A000XZ0	WASHER FENDER, M6, STEEL, ZINC PLATED	1	
38	WSH4-X06A000XZ0	LOCK WASHER, M6, STEEL, ZINC	1	

WHEN ORDERING PARTS, SPECIFY MODEL NUMBER, SERIAL NUMBER AND DESCRIPTION OF PARTS REQUIRED

UPPER DOOR GUIDE ASSEMBLY



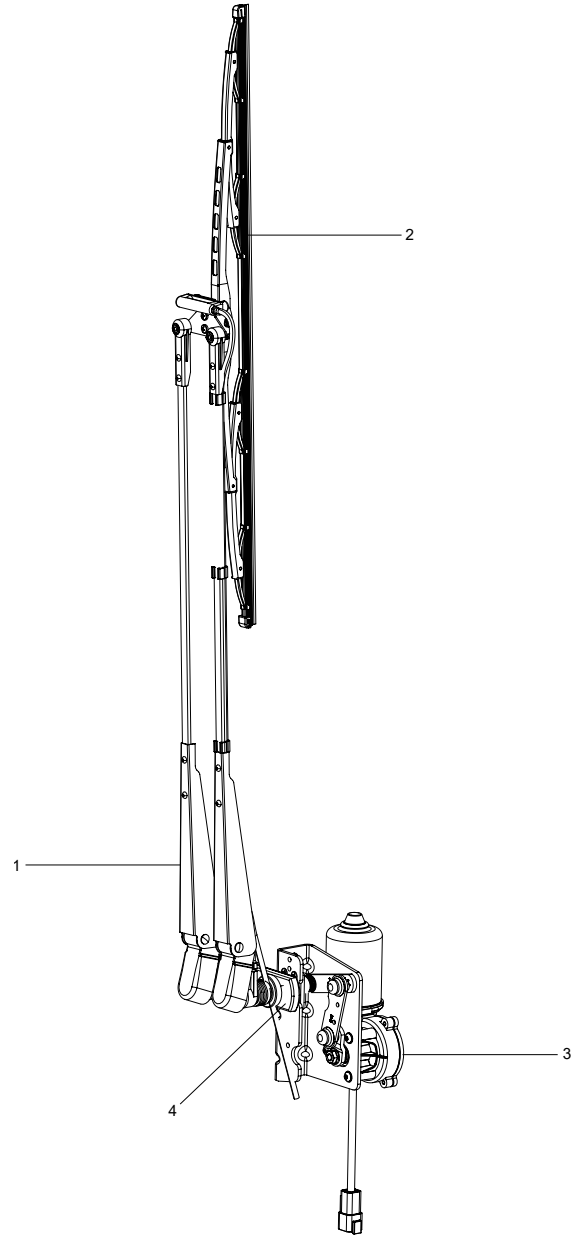
WHEN ORDERING PARTS, SPECIFY MODEL NUMBER, SERIAL NUMBER AND DESCRIPTION OF PARTS REQUIRED

UPPER DOOR GUIDE ASSEMBLY

ITEM	PART NUMBER	DESCRIPTION	QUANTITY	NOTES
	T122302	UPPER DOOR GUIDE ASSEMBLY		
1	NUT3-M08B000PZ0	NYLON HEX NUT, M8-1.25, STL Z C8	2	
2	HHCS-M08B035PZ0	SCR, HHCS M8-1.25 X 35 FT, ST SQC C8.8	2	
3	T121365	GUIDE, UPPER DOOR	1	
4	T121366	BRACKET, UPPER GUIDE	1	
5	T121985	SPACER, M15 OD X 15	2	
6	WSH3-X08B000XZ0	WASHER, FENDER, M8, STL	2	
7	WSH1-X08B000PZ0	WSH, FLAT M8 DIN125, ST SQC	2	

WHEN ORDERING PARTS, SPECIFY MODEL NUMBER, SERIAL NUMBER AND DESCRIPTION OF PARTS REQUIRED

FRONT WIPER ASSEMBLY



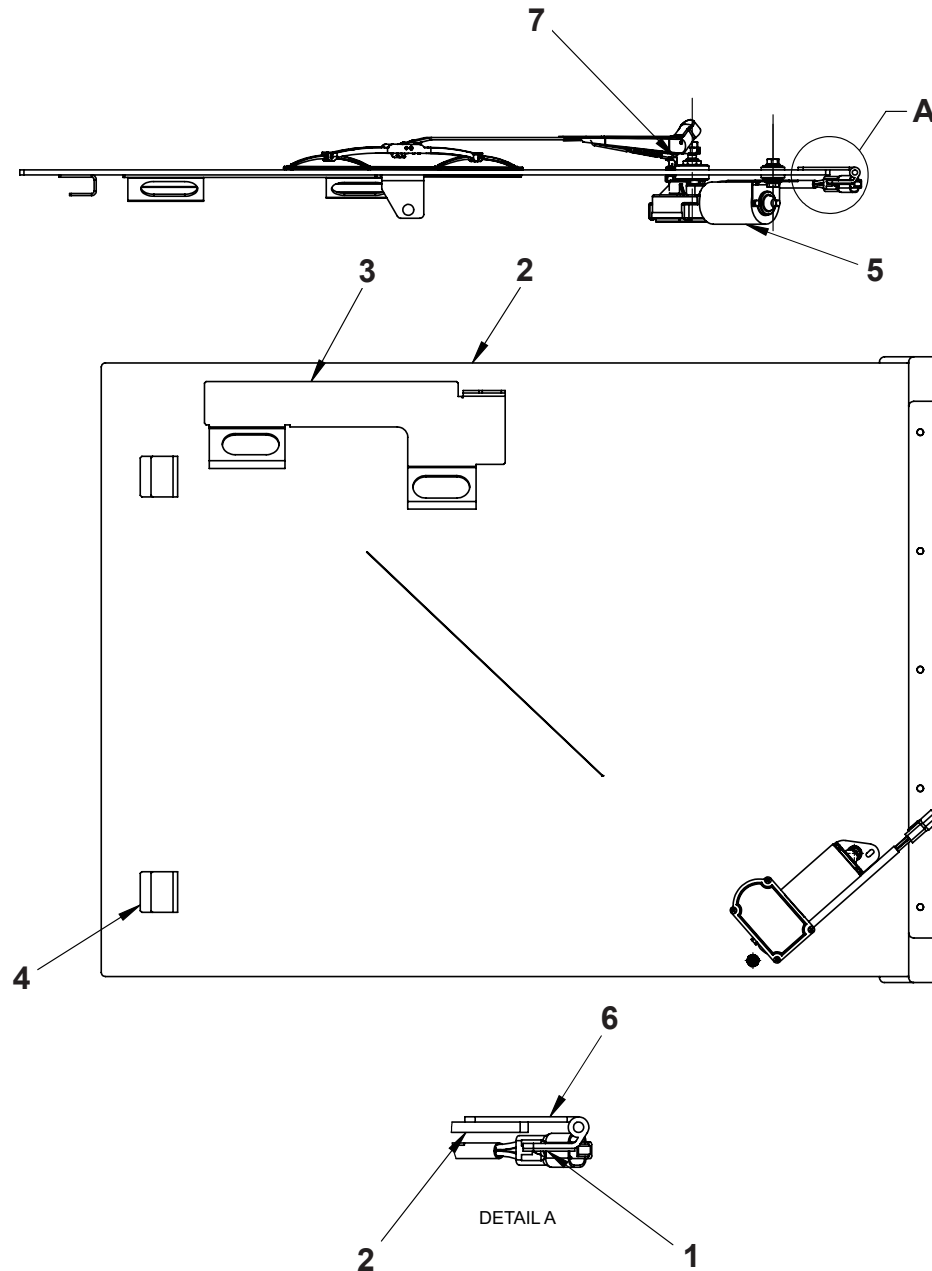
WHEN ORDERING PARTS, SPECIFY MODEL NUMBER, SERIAL NUMBER AND DESCRIPTION OF PARTS REQUIRED

FRONT WIPER ASSEMBLY

ITEM	PART NUMBER	DESCRIPTION	QUANTITY	NOTES
	T134724	FRONT WIPER ASSEMBLY		
1	T135110	ARM, FRONT WIPER	1	
2	T135109	BLADE, FRONT WIPER	1	
3	T134874	MOTOR, FRONT WIPER	1	
4	T135247	ADAPTER, SLAVE PIVOT	1	

WHEN ORDERING PARTS, SPECIFY MODEL NUMBER, SERIAL NUMBER AND DESCRIPTION OF PARTS REQUIRED

ROOF HATCH ASSEMBLY

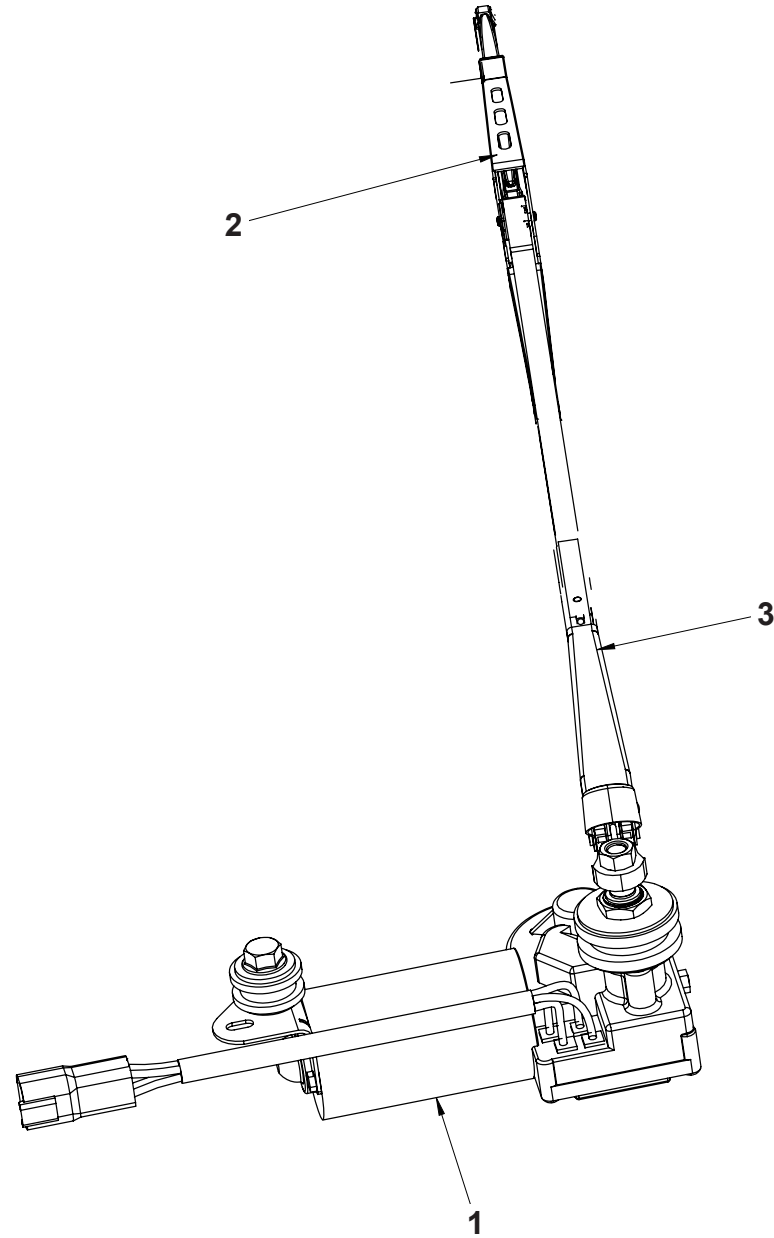


WHEN ORDERING PARTS, SPECIFY MODEL NUMBER, SERIAL NUMBER AND DESCRIPTION OF PARTS REQUIRED

ROOF HATCH ASSEMBLY

ITEM	PART NUMBER	DESCRIPTION	QUANTITY	NOTES
	T135765	ROOF HATCH ASSEMBLY		
1	T111839	GASKET, ROOF HATCH	1	
2	T133365	GLASS, ROOF	1	
3	T134729	PLATE, LEFT HANDLE	1	
4	T134841	BRACKET, WINDSHIELD LATCH	2	
5	T134844	WIPER, ROOF	1	SEE PAGE 35
6	T135202	HINGE, ROOF	1	
7	T135314	SPRAYER, WIPER MIST	1	

WHEN ORDERING PARTS, SPECIFY MODEL NUMBER, SERIAL NUMBER AND DESCRIPTION OF PARTS REQUIRED



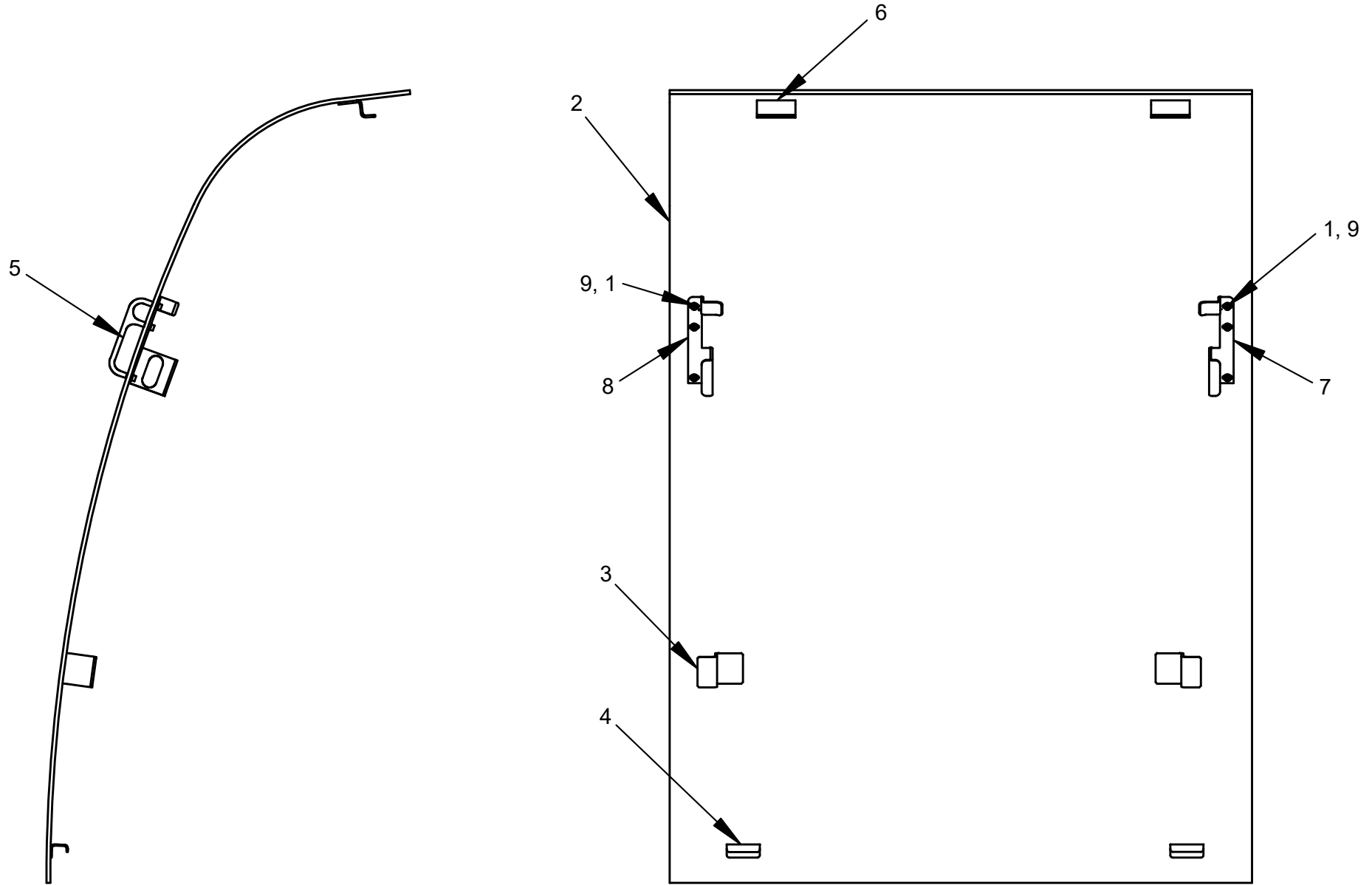
WHEN ORDERING PARTS, SPECIFY MODEL NUMBER, SERIAL NUMBER AND DESCRIPTION OF PARTS REQUIRED

WIPER ROOF

ITEM	PART NUMBER	DESCRIPTION	QUANTITY	NOTES
	T134844	WIPER, ROOF		
1	T134843	MOTOR, ROOF WIPER	1	
2	T135200	BLADE, ROOF WIPER	1	
3	T135201	ARM, ROOF WIPER	1	

WHEN ORDERING PARTS, SPECIFY MODEL NUMBER, SERIAL NUMBER AND DESCRIPTION OF PARTS REQUIRED

FRONT WINDSHIELD

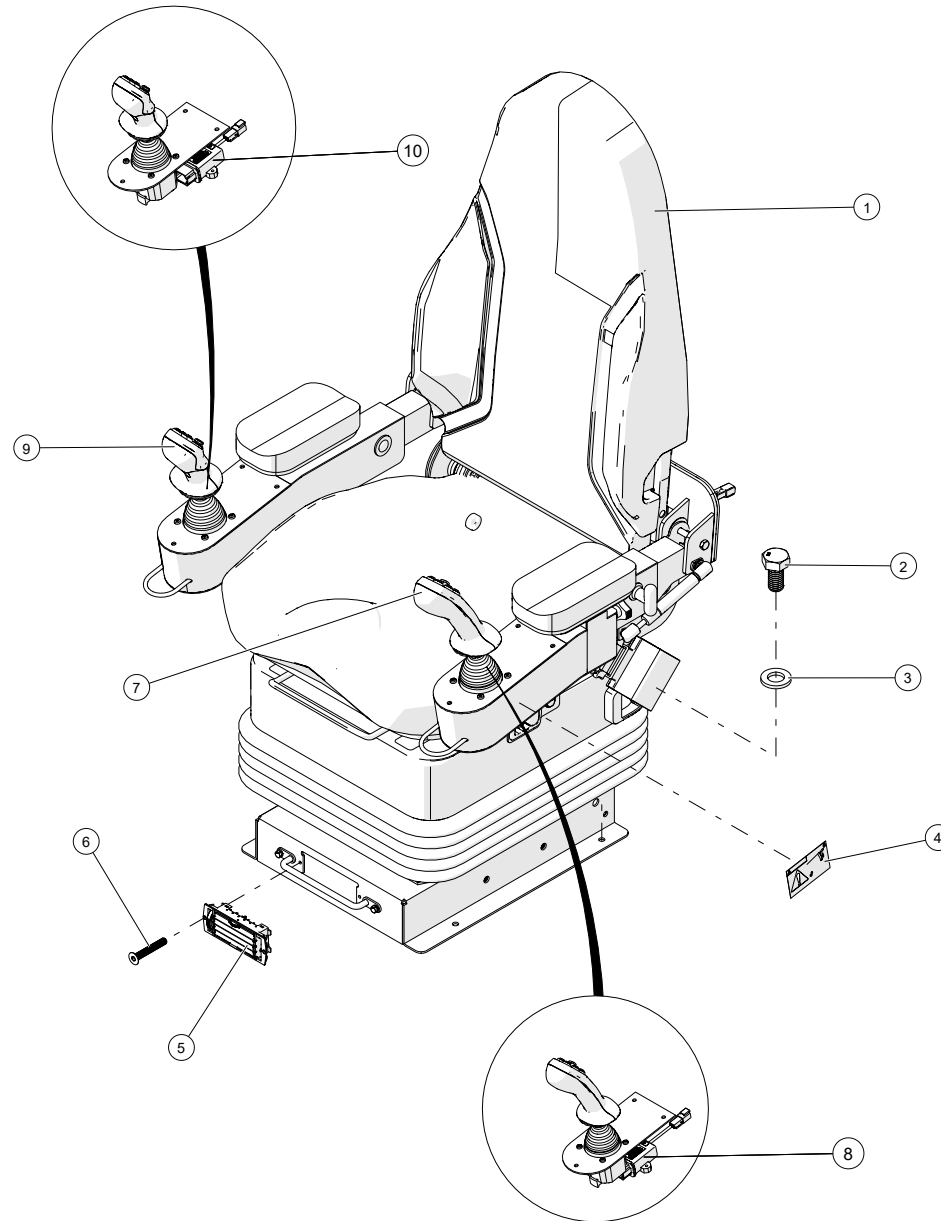


WHEN ORDERING PARTS, SPECIFY MODEL NUMBER, SERIAL NUMBER AND DESCRIPTION OF PARTS REQUIRED

FRONT WINDSHIELD

ITEM	PART NUMBER	DESCRIPTION	QUANTITY	NOTES
	T138734	WINDSHIELD, FRONT		
1	SHCS-M407012AZ0	SOCKET HEAD CAP SCREW, M4 X0.7 X 12, ZINC	6	
2	T133555	GLASS, FRONT	1	
3	T134730	BRACKET, WINDSHIELD LATCH	2	
4	T134731	BRACKET, GLASS HOLDING	2	
5	T134797	HANDLE	2	
6	T134840	BRACKET, WINDSHIELD LATCH	2	
7	T140289	PLATE, RIGHT WINDSHIELD LATCH	1	
8	T140290	PLATE, LEFT WINDSHIELD LATCH	1	
9	WSH1-X407000XZ0	WAHSER, M4-0.7, STL	6	

WHEN ORDERING PARTS, SPECIFY MODEL NUMBER, SERIAL NUMBER AND DESCRIPTION OF PARTS REQUIRED



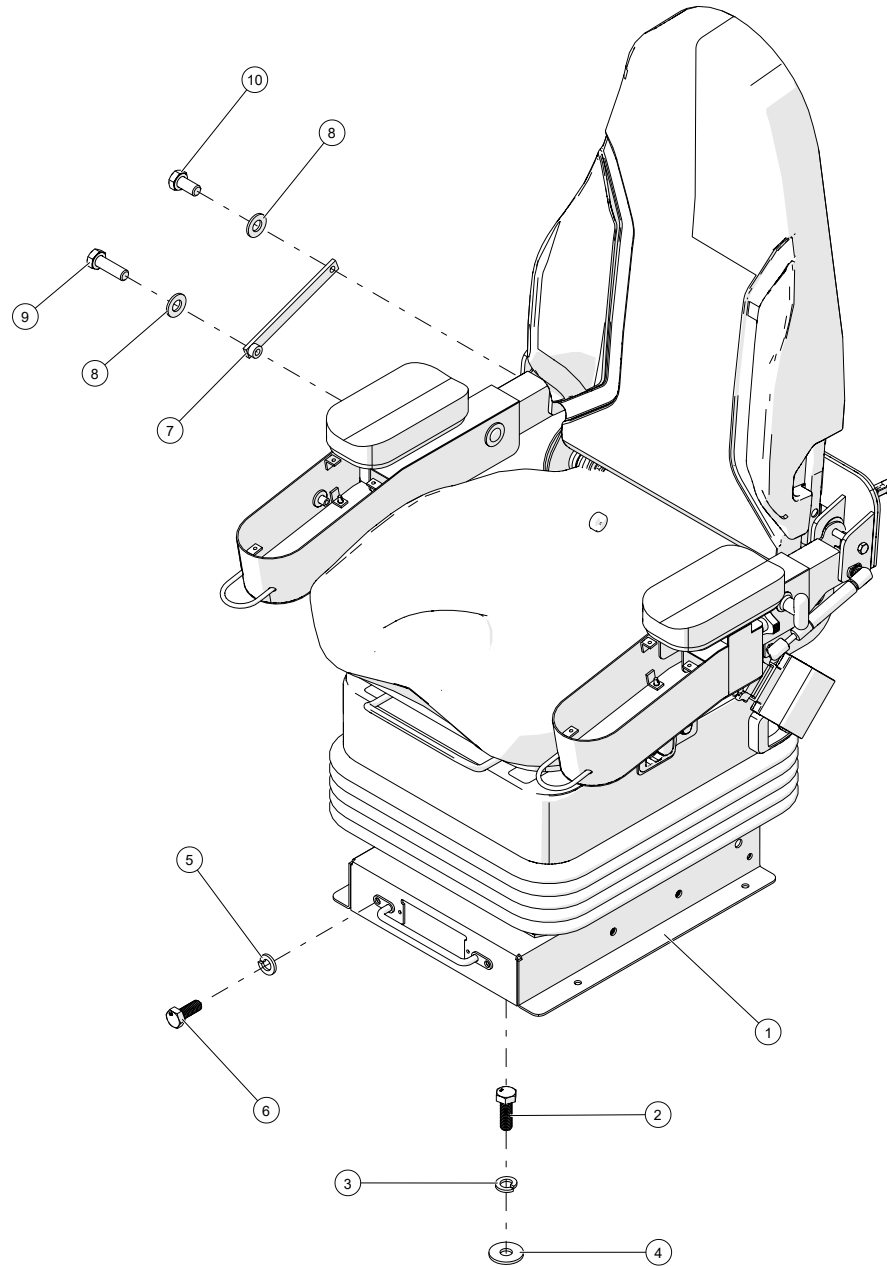
WHEN ORDERING PARTS, SPECIFY MODEL NUMBER, SERIAL NUMBER AND DESCRIPTION OF PARTS REQUIRED

SEAT ASSEMBLY

ITEM	PART NUMBER	DESCRIPTION	QUANTITY	NOTES
	1025700	SEAT ASSEMBLY		
1	T122274	SEAT, OPERATOR	1	SEE PAGE 41
2	HHCS-M08B016PZ0	SCR, HHCS M8-1.25 X 16	4	
3	WSH1-X08B000XZ0	WASHER, FLAT M8 DIN125	4	
4	T144774	DECAL - SEAT ARM	1	
5	T111909	VENT, LOUVERED RECTANGULAR	1	
6	SH02-M305020QZ0	SCR, SHFHS M3-0.5 X 20	2	
7	1027052	GS LH JOYSTICK	1	
8	1032556	LEFT AXIOMATIC JOYSTICK THUMPER	1	
9	1027053	GS RH JOYSTICK	1	
10	1032776	RIGHT AXIOMATIC JOYSTICK THUMPER	1	

WHEN ORDERING PARTS, SPECIFY MODEL NUMBER, SERIAL NUMBER AND DESCRIPTION OF PARTS REQUIRED

OPERATOR SEAT



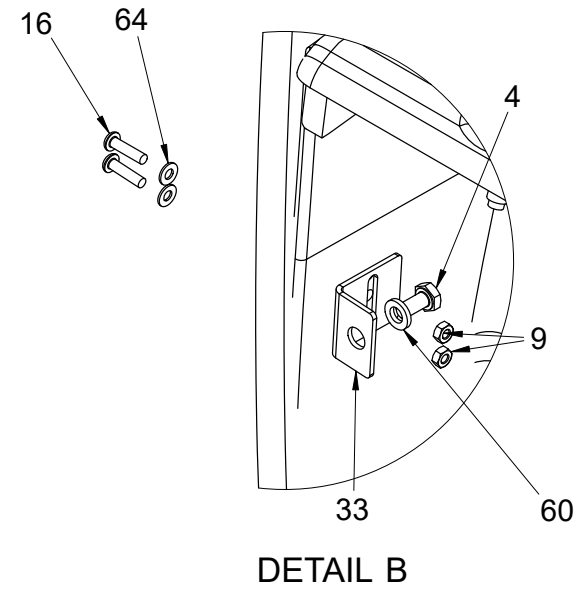
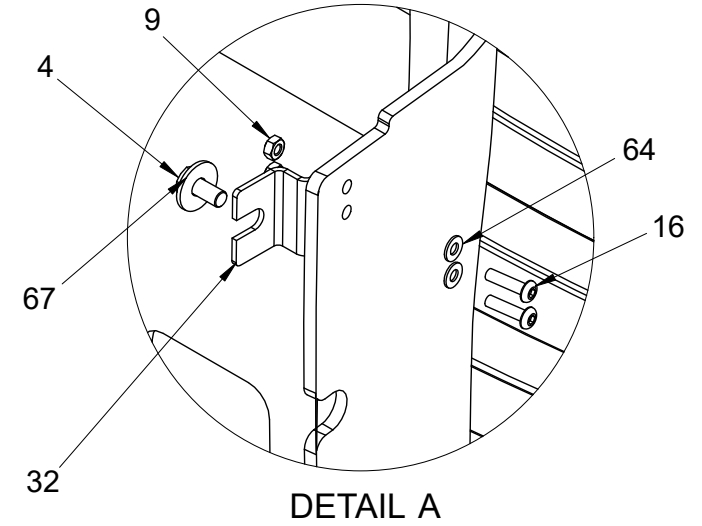
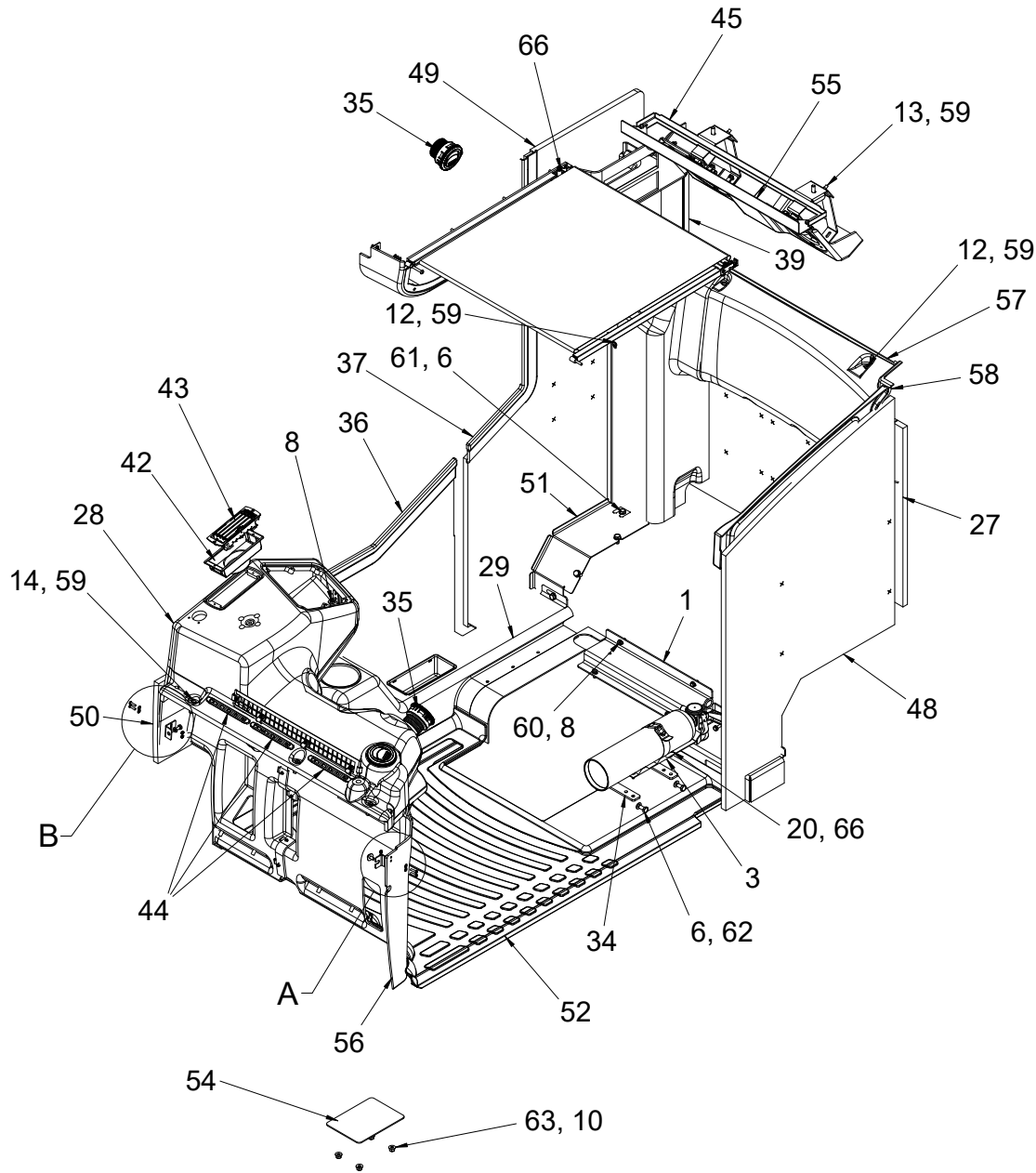
WHEN ORDERING PARTS, SPECIFY MODEL NUMBER, SERIAL NUMBER AND DESCRIPTION OF PARTS REQUIRED

OPERATOR SEAT

ITEM	PART NUMBER	DESCRIPTION	QUANTITY	NOTES
	T122274	SEAT, OPERATOR		
1	T121531	RISER, SEAT	1	
2	HHCS-M08B025PZ0	SCR, HHCS M8-1.25 X 25 FT, ST Z 8.8	4	
3	WSH4-X08B000XZ0	WSH, LOCK, SPLT M8 D127B, ST Z	4	
4	WSH3-X08B000XZ0	WASHER, FENDER, M8, STEEL, ZINC PLATED	1	
5	WSH4-X06A000XZ0	WSH, LOCK, SPLT M6 D127B, ST Z	1	
6	HHCS-M06A016PZ0	HEX HEAD CAP SCREW, M6-1X16, C8.8	2	
7	T128560	BRACE, ARMREST	1	
8	WSH1-X3130002Z0	WASHER, 5/16, GR2, ZN	1	
9	HHCS-C313A005Z1	HEX HEAD CAP SCREW, 5/16-18 X 1 LEN, GR5, ZN, FULL THREAD	1	
10	HHCS-C3136255Z0	HEX HEAD CAP SCREW, 5/16-18 X 5/8 LEN, GR5, ZN	1	

WHEN ORDERING PARTS, SPECIFY MODEL NUMBER, SERIAL NUMBER AND DESCRIPTION OF PARTS REQUIRED

CAB INTERIOR INSTALLATION

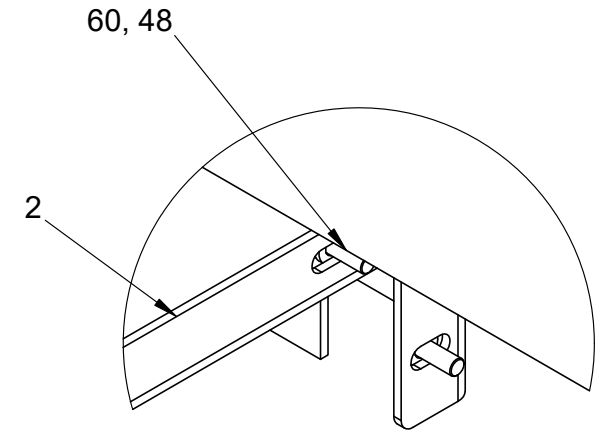
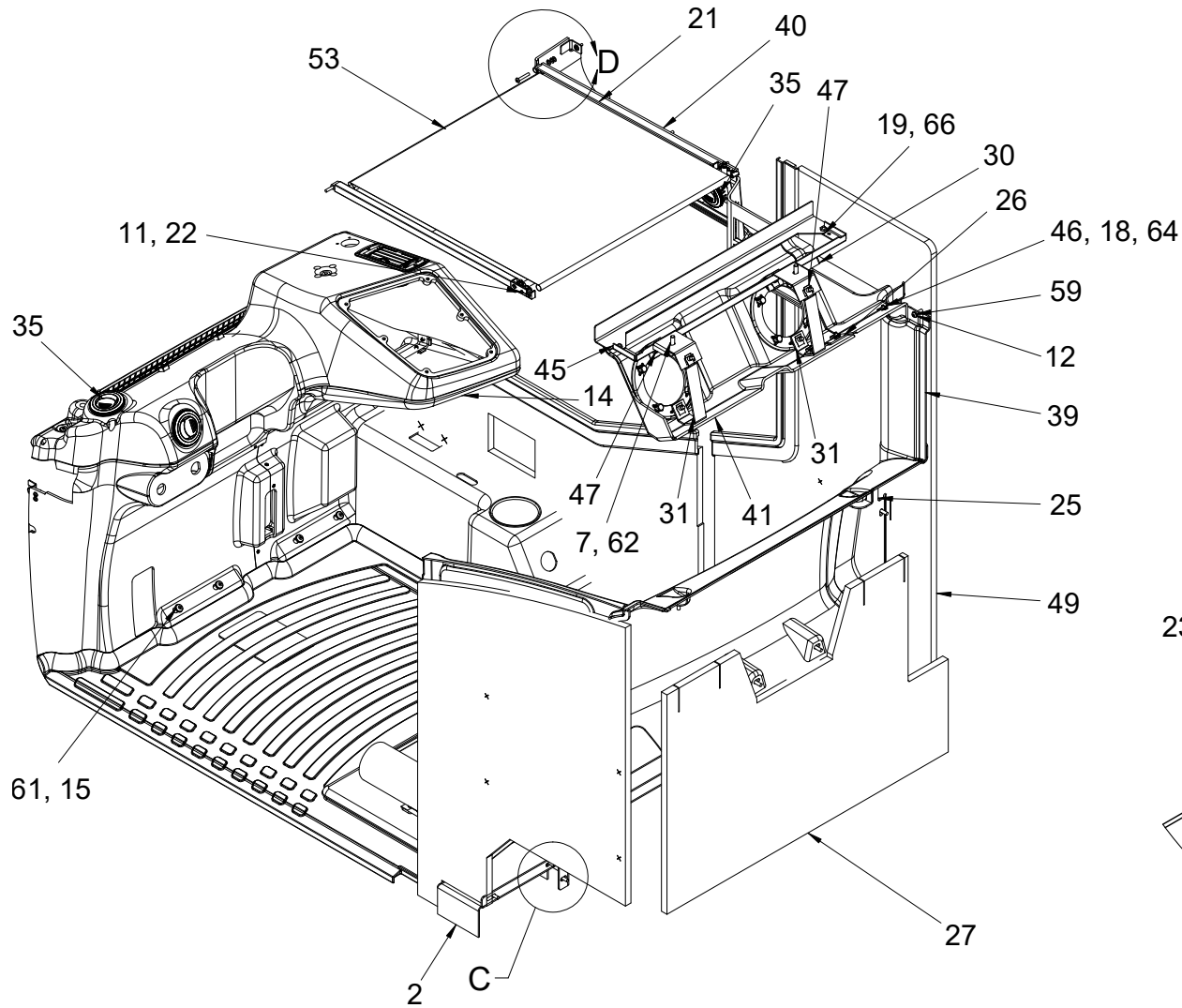


WHEN ORDERING PARTS, SPECIFY MODEL NUMBER, SERIAL NUMBER AND DESCRIPTION OF PARTS REQUIRED

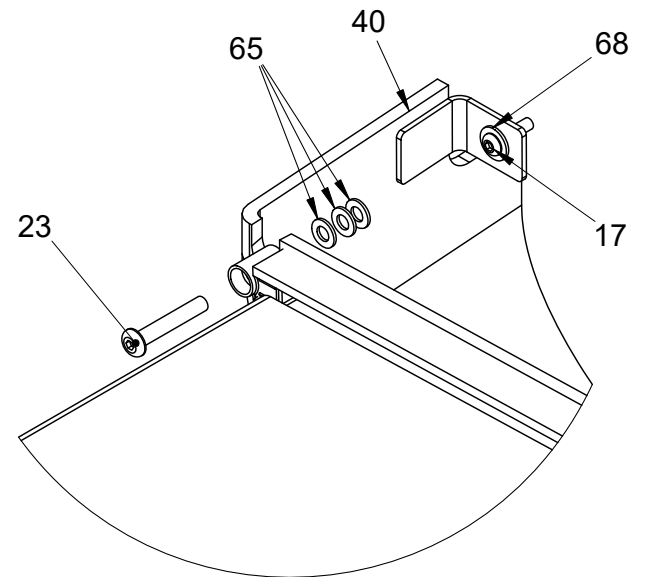
CAB INTERIOR INSTALLATION

ITEM	PART NUMBER	DESCRIPTION	QUANTITY	NOTES
	1035053	CAB INTERIOR INSTALLATION		
1	1035052	PLATE, COVER	1	
2	1035054	PLATE, SPACER	1	
3	1222-217	FIRE EXSTINGUISHER	1	
4	HHCS-M06A012PZO	HEX HEAD CAP SCREW, M6-1 X 12, C8.8	2	
5	HHCS-M06A016PZO	HEX HEAD CAP SCREW, M6-1 X 16, C8.8	8	
6	HHCS-M08B016PZO	HEX HEAD CAPS SCREW, M8-1.25 X 16, C8.8	10	
7	HHCS-M08B020PZO	HEX HEAD CAP SCREW, M8-1.25 X 20, C8.8	2	
8	NUT1-M06A000PZO	HEX NUT, M6 X 1, STEEL, ZINC PLATED	1	
9	NUT1-M407000PB0	HEX NUT, M4-0.7, STL, BLK OX	4	
10	NUT3-C2500005Z0	NYLON LOCK NUT, 1/4-20, GR5, ZN	4	
11	NUT3-M508000PZO	NYLON INSERT NUT, M5-0.8, C8.8 Z	2	
12	SH03-M06A020PB0	SHCS BUTTON HEAD, M6-1 X 20, C8.8 BLK OX	7	
13	SH03-M06A020QB0	SHCS BUTTON HEAD, M6-1 X 20, C10.9 BLK OX	6	
14	SH03-M06A030PB0	SHCS BUTTON HEAD, M6-1 X 30, BLK OX, C8.8	4	
15	SH03-M08B020PB0	SHCS BUTTON HEAD, M8-1.25 X 20, BLX OX, C8.8	4	
16	SH03-M407016PB0	SHCS BUTTON HEAD, M4-0.7 X 16, BLK OX C8.8	4	
17	SH03-M407016PZO	SHCS BUTTON HEAD, M4-0.7 X 16, C8.8, ZINC	1	
18	SH03-M407020QB0	SHCS BUTTON HEAD, M4-0.7 X 20, C10.9, BLK OX	3	
19	SH03-M508012PZO	SHCS BUTTON HEAD, M5-0.8 X 12, C8.8	2	
20	SH03-M508016PZO	SHCS BUTTON HEAD, M5-0.8 X 16, C8.8	4	
21	SH03-M508020PZO	SHCS BUTTON HEAD, M5-0.8 X 20, C8.8	3	
22	SH03-M508025PZO	SHCS BUTTON HEAD, M5-0.8 X 25, C8.8 ZINC	2	
23	SH03-M508030PZO	SHCS BUTTON HEAD, M5-0.8 X 30, C8.8	2	
24	T105183	PLUG, RIGID PLASTIC	1	
25	T106053	CORNER, RIGHT REAR	1	
26	T106775	BRACKET, PLASTIC MOUNTING	1	
27	T109364	INSULATION, REAR	1	
28	T109402	FRONT UPPER DASH SUB ASSEMBLY	1	SEE PAGE 47
29	T111775	CONSOLE, LOWER RIGHT	1	
30	T111781	BRACKET, MOUNTING	1	
31	T111782	BRACKET, SPEAKER MOUNTING	2	
32	T111791	BRACKET, DASH	1	
33	T111792	BRACKET, DASH	1	
34	T111864	BRACKET FIRE EXTINGUISHER	2	
35	T111895	VENT, CIRCULAR LOUVERED	3	

WHEN ORDERING PARTS, SPECIFY MODEL NUMBER, SERIAL NUMBER AND DESCRIPTION OF PARTS REQUIRED



DETAIL C



DETAIL D

WHEN ORDERING PARTS, SPECIFY MODEL NUMBER, SERIAL NUMBER AND DESCRIPTION OF PARTS REQUIRED

CAB INTERIOR INSTALLATION

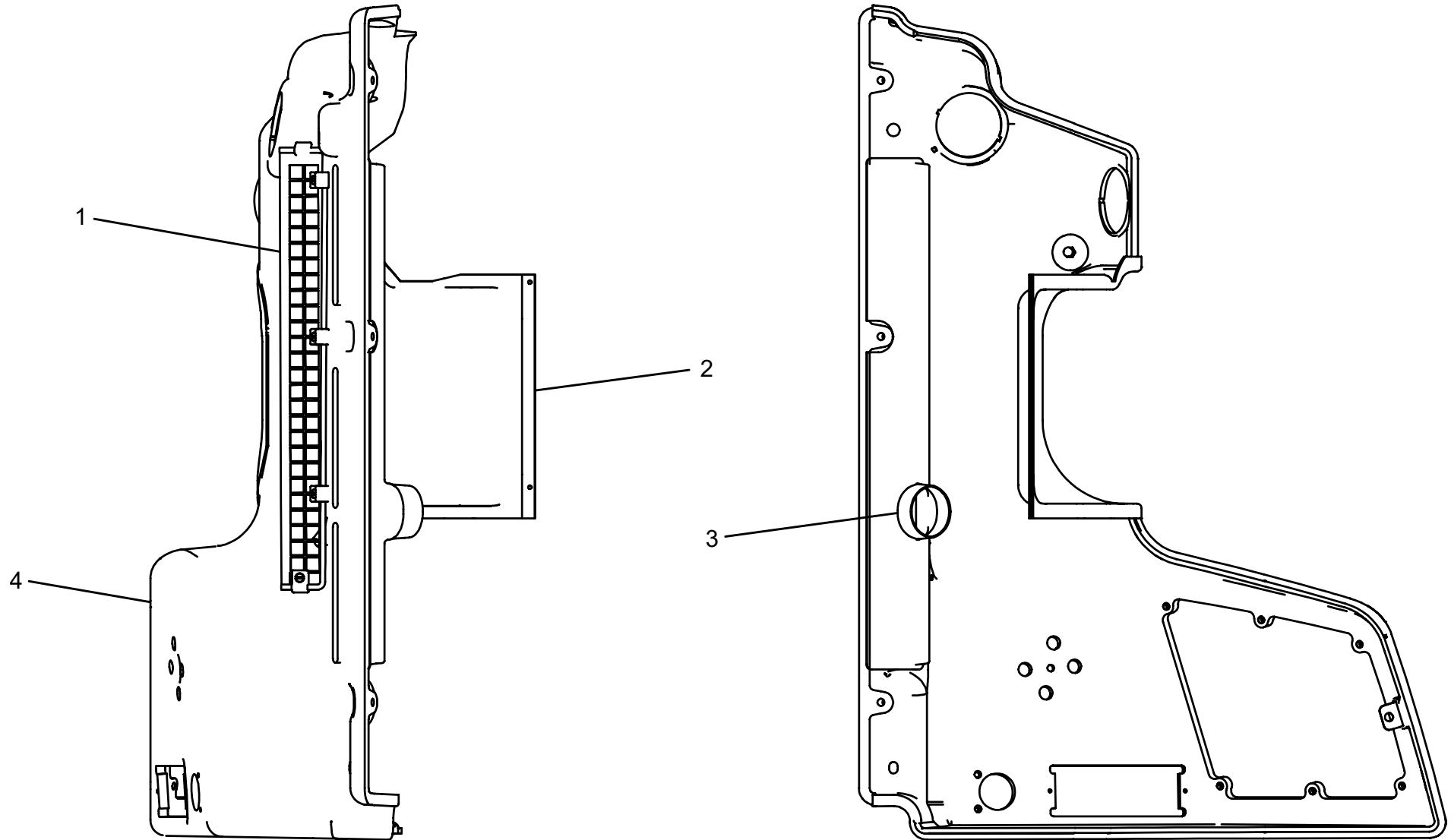
ITEM	PART NUMBER	DESCRIPTION	QUANTITY	NOTES
	1035053	CAB INTERIOR INSTALLATION		
36	T111899	TRIM, RIGHT FRONT WINDOW	1	
37	T111900	TRIM, RIGHT REAR WINDOW	1	
38*	T111902	VELCRO	1	
39	T111904	CORNER, RIGHT REAR	1	
40	T111905	CONSOLE, RIGHT UPPER	1	
41	T111906	COVER, UPPER REAR	1	
42	T111908	ADAPTER, HOSE RECTANGULAR VENT	1	
43	T111909	VENT, LOUVERED RECTANGULAR	1	
44	T111910	VENT, DEFROST	3	
45	T111939	BRACKET, SPEAKER	1	
46	T112316	NUT, CLIP ON M4-0.7	3	
47	T112319	NUT, CLIP ON M6-1	9	
48	T120289	INSULATION, LEFT SIDE	1	
49	T120290	INSULATION, RIGHT REAR	1	
50	T120291	INSULATION, RIGHT FRONT	1	
51	T123712	COVER, HARNESS	1	
52	T130275	FLOOR MAT	1	
53	T135211	SUN SHADE	1	
54	T136887	PLATE WELDMENT	1	
55	T142535	BRACKET, WELDMENT	1	
56	T150362	DASH, LOWER	1	
57	T150363	COVER, LOWER REAR	1	
58	T150364	TRIM, LEFT REAR	1	
59	WSH1-X06A000XB0	WASHER, M6, STL BLK OX	13	
60	WSH1-X06A000XZ0	WASHER, M6, STEEL, ZINC PLATED	9	
61	WSH1-X08B000XB0	WASHER, M8, STL BLK OX	8	
62	WSH1-X08B000XZ0	WASHER, M8, STEEL, ZINC PLATED	8	
63	WSH1-X2500002Z0	WASHER, 1/4, GR2, ZN	4	
64	WSH1-X407000XB0	WASHER, M4, STL BLK OX	7	
65	WSH1-X508000XB0	WASHER, M5, STEEL, BLACK OXIDE	3	
66	WSH1-X508000XZ0	WASHER, M5, STEEL, ZINC PLATED	8	
67	WSH3-X06A000XZ0	WASHER FENDER, M6, STEEL, ZINC PLATED	1	
68	WSH3-X407000XZ0	FENDER WASHER, M4, STEEL, ZINC PLATED	1	

NOTE:

* NOT SHOWN IN THE ILLUSTRATION

WHEN ORDERING PARTS, SPECIFY MODEL NUMBER, SERIAL NUMBER AND DESCRIPTION OF PARTS REQUIRED

FRONT UPPER DASH ASSEMBLY

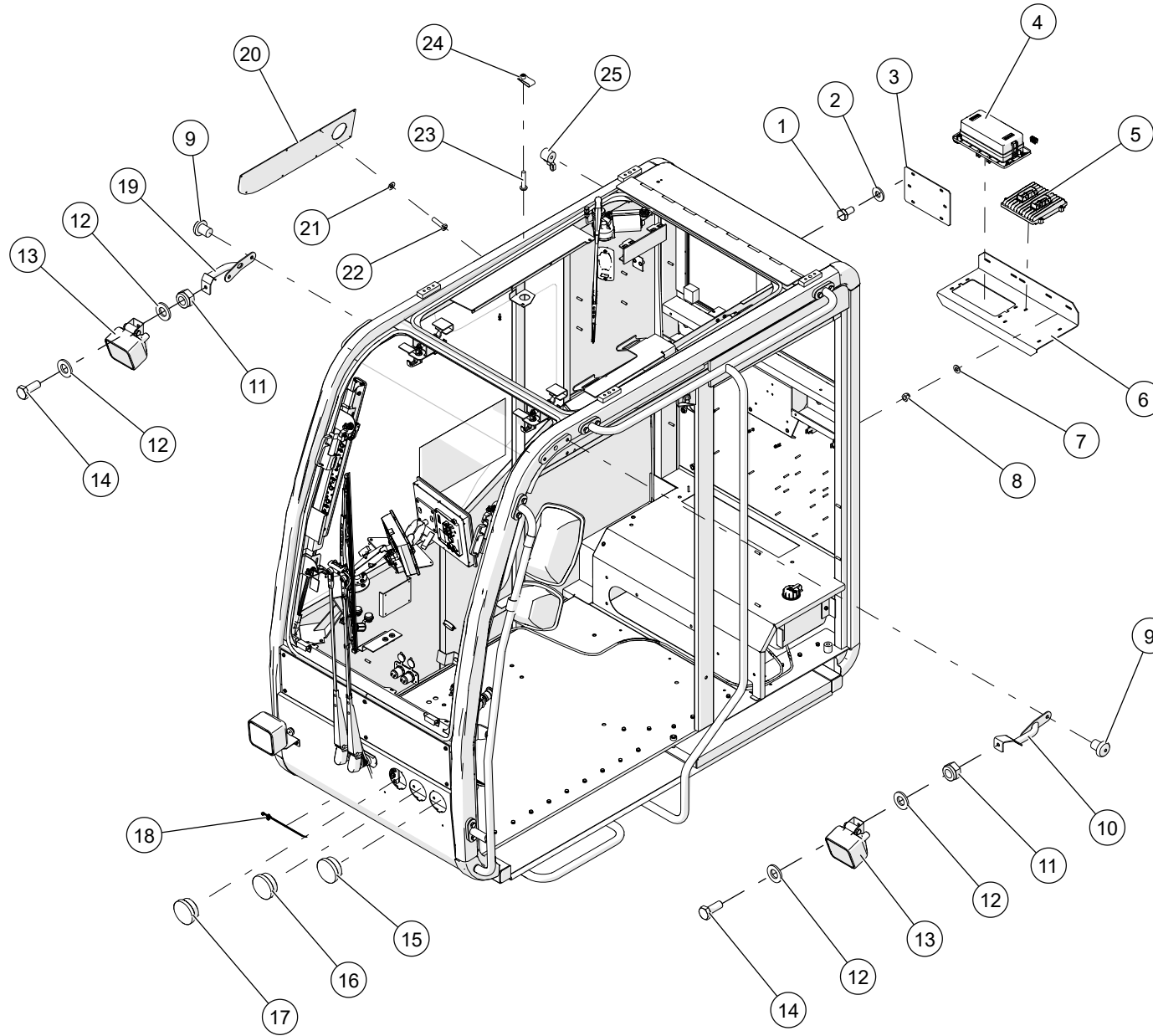


WHEN ORDERING PARTS, SPECIFY MODEL NUMBER, SERIAL NUMBER AND DESCRIPTION OF PARTS REQUIRED

FRONT UPPER DASH ASSEMBLY

ITEM	PART NUMBER	DESCRIPTION	QUANTITY	NOTES
	T109402	FRONT UPPER DASH SUB ASSEMBLY		
1	T111863	NET, DASH	1	
2	T111879	COVER, DASH	1	
3	T126975	ADAPTER, DEFROST	1	
4	T150391	DASH, FRONT UPPER	1	

WHEN ORDERING PARTS, SPECIFY MODEL NUMBER, SERIAL NUMBER AND DESCRIPTION OF PARTS REQUIRED

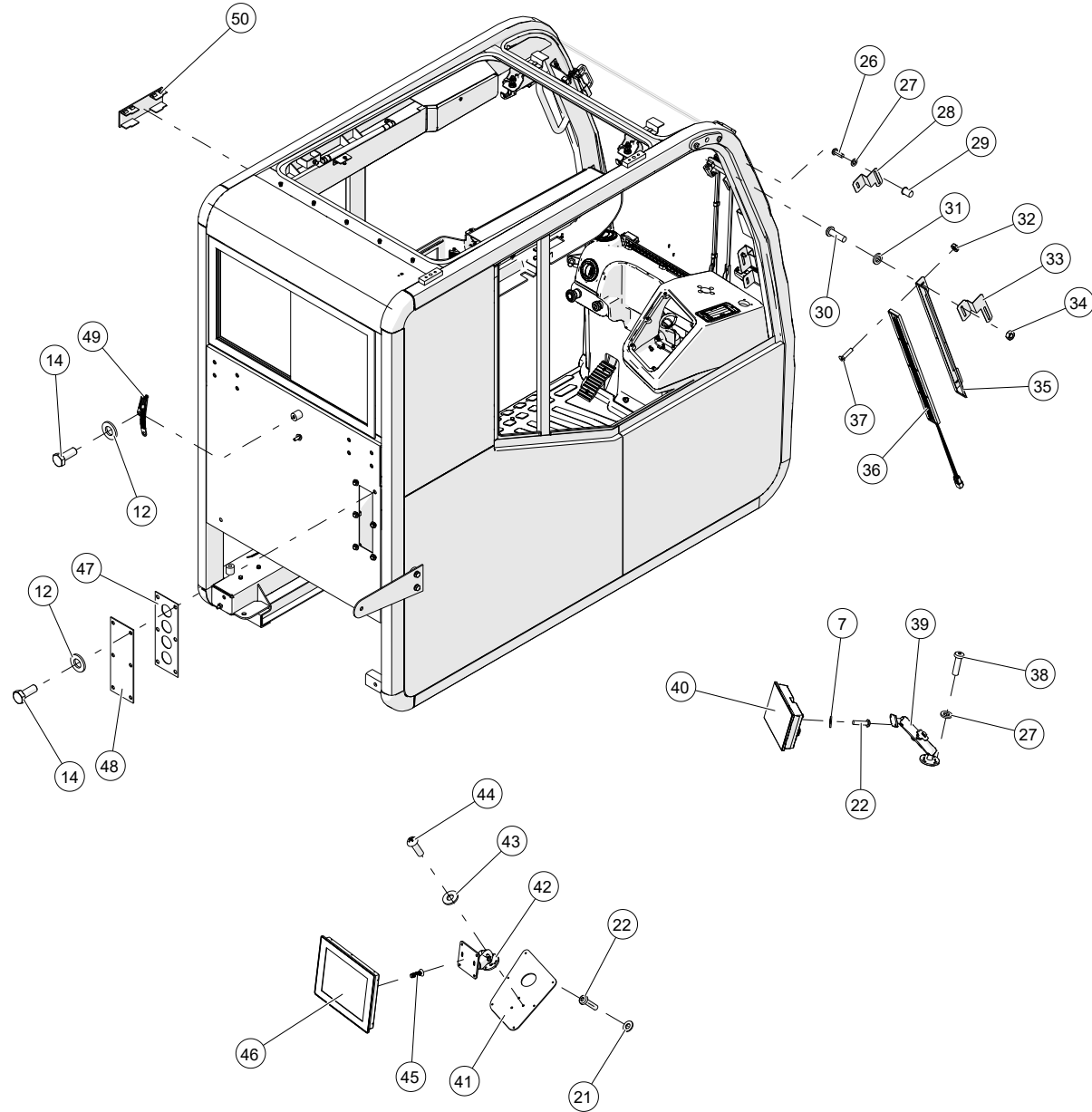


WHEN ORDERING PARTS, SPECIFY MODEL NUMBER, SERIAL NUMBER AND DESCRIPTION OF PARTS REQUIRED

CAB ELECTRICAL INSTALLATION

ITEM	PART NUMBER	DESCRIPTION	QUANTITY	NOTES
	1027132	CAB ELECTRICAL INSTALLATION		
1	HHCS-C2505005Z0	HEX HEAD CAP SCREW, 1/4-20 X 1/2 LEN, GR5, ZN	4	
2	WSH1-X2500008Z0	WASHER, 1/4, GR8, ZN	4	
3	1034091	PLATE, RECEIVER MOUNT	1	
4	1027055	EATON FUSE RELAY MRFRM	1	
5	1027050	iQAN MC43 I/O	3	
6	1034055	FUSE HOLDER BRACKET	1	
7	WSH1-X407000XZ0	WAHSER, M4-.7, STL	11	
8	NUT3-M407000PZ0	NYLON HEX NUT, M4-.7, STL Z C8.8	9	
9	SH03-M10C012QZ0	SHCS BUTTON HEAD, M10-1.5X12, C10.9 Z	4	
10	T143356	BRACKET,WORK LIGHT,LHS	1	
11	NUT3-M10C000PZ0	NYLYM HEX NUT, M10-1.5, STL	3	
12	WSH1-X10C000XZ0	WASHER, M10, STL	14	
13	T111783	LIGHT, FRONT	3	
14	HHCS-M10C020PZ0	HEX HEAD CAP SCREW, M10-1.5X20, C8.8	22	
15	T120451	LIGHT, RED MODE	1	
16	T120449	LIGHT, AMBER MODE	1	
17	T120450	LIGHT, GREEN MODE	1	
18	T108861	MOUNT,CABLE TIE,0.256-0.276	10	
19	T143357	BRACKET,WORK LIGHT,RHS	1	
20	1027134	PANEL, UPPER SWITCH	1	
21	WSH1-X407000XB0	WASHER, M4, STL BLK OX	14	
22	SH03-M407016PB0	SHCS BUTTON HEAD, M4-.7X16, BLK OX C8.8	16	
23	SH03-M407020PB0	SHCS BUTTON HEAD, M4-.7X20, BLK OX C8.8	5	
24	T112316	NUT, CLIP-ON, M4-0.7	1	
25	T106055	CABLE TIE,STUD MOUNT, 1/4-20	17	

WHEN ORDERING PARTS, SPECIFY MODEL NUMBER, SERIAL NUMBER AND DESCRIPTION OF PARTS REQUIRED

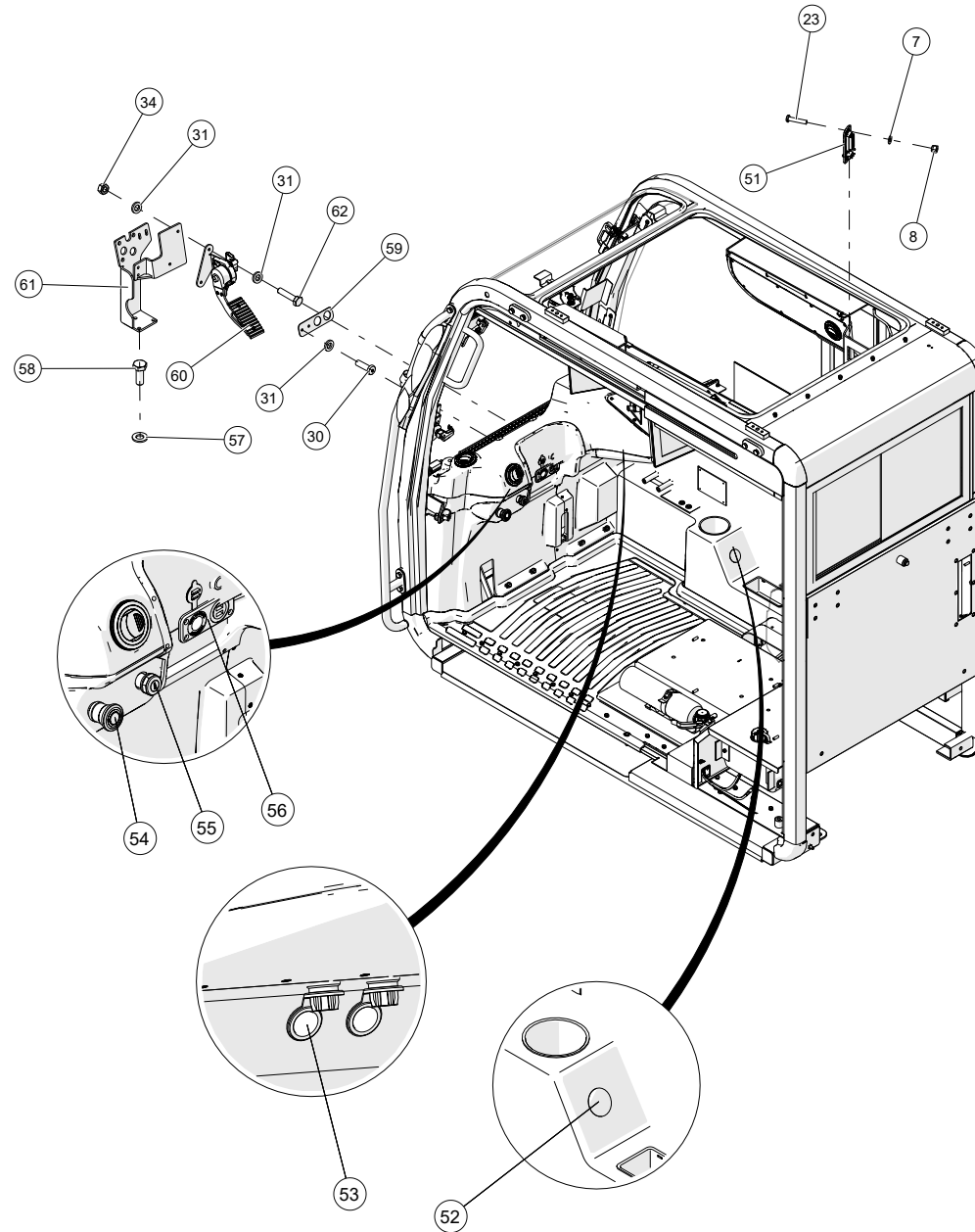


WHEN ORDERING PARTS, SPECIFY MODEL NUMBER, SERIAL NUMBER AND DESCRIPTION OF PARTS REQUIRED

CAB ELECTRICAL INSTALLATION

ITEM	PART NUMBER	DESCRIPTION	QUANTITY	NOTES
	1027132	CAB ELECTRICAL INSTALLATION		
26	SH03-M06A016PZ0	SHCS BUTTON HEAD, M6-1X16, C8.8	4	
27	WSH1-X06A000XB0	WASHER, M6, STL BLK OX	8	
28	1034092	BRACKET, LIGHT BAR	2	
29	V01-06AM014-20	RVT, FLGHD M6x1.0x14.73, ST SQC	4	
30	SH03-M06A020ZRO	SHCS BUTTON HEAD, M6-1X20, STL	4	
31	WSH1-X06A000XZ0	WASHER, M6, STL	8	
32	NUT1-C1381252Z0	HEX HEAD NUT, #6-32, GR2, ZINC	6	
33	1035189	BRACKET LIGHT BAR	1	
34	NUT1-M06A000PZ0	HEX NUT, M6X1, STL	4	
35	1034090	BRACKET, LIGHT BAR	1	
36	1027054	GS LIGHT BAR	1	
37	SH02-C138625BB0	SHCS C'SUNK HEAD, 6-32 X 5/8 LEN, BO	6	
38	SH03-M06A022PB0	SHCS BUTTON HEAD, M6-1X22, BLK OX C8.8	4	
39	1035124	RAM SCREEN MOUNT	1	
40	1031331	GREER TS7 TOUCHSCREEN	1	
41	1027135	RIGHT CONSOLE PLATE	1	
42	1035138	RAM MOUNT C SIZE 3.5"	1	
43	WSH1-X1900002Z0	WASHER, #10, GR2, ZN	3	
44	MS09-C190625ZR0	MACHINE SCREW, 10-24 X 5/8 LEN, NF	3	
45	MS01-M407014PZ0	MACHINE SCREW, M4-0.7X14, C8.8 Z	4	
46	1027049	MASTER DISPLAY MODULE 10"	1	
47	T139511	GASKET, BULKHEAD PLATE	1	
48	1027133	COVER PLATE	1	
49	T111843	STRAP, GROUND	1	
50	T122107	COVER PLATE, DIN POCKET	1	

WHEN ORDERING PARTS, SPECIFY MODEL NUMBER, SERIAL NUMBER AND DESCRIPTION OF PARTS REQUIRED



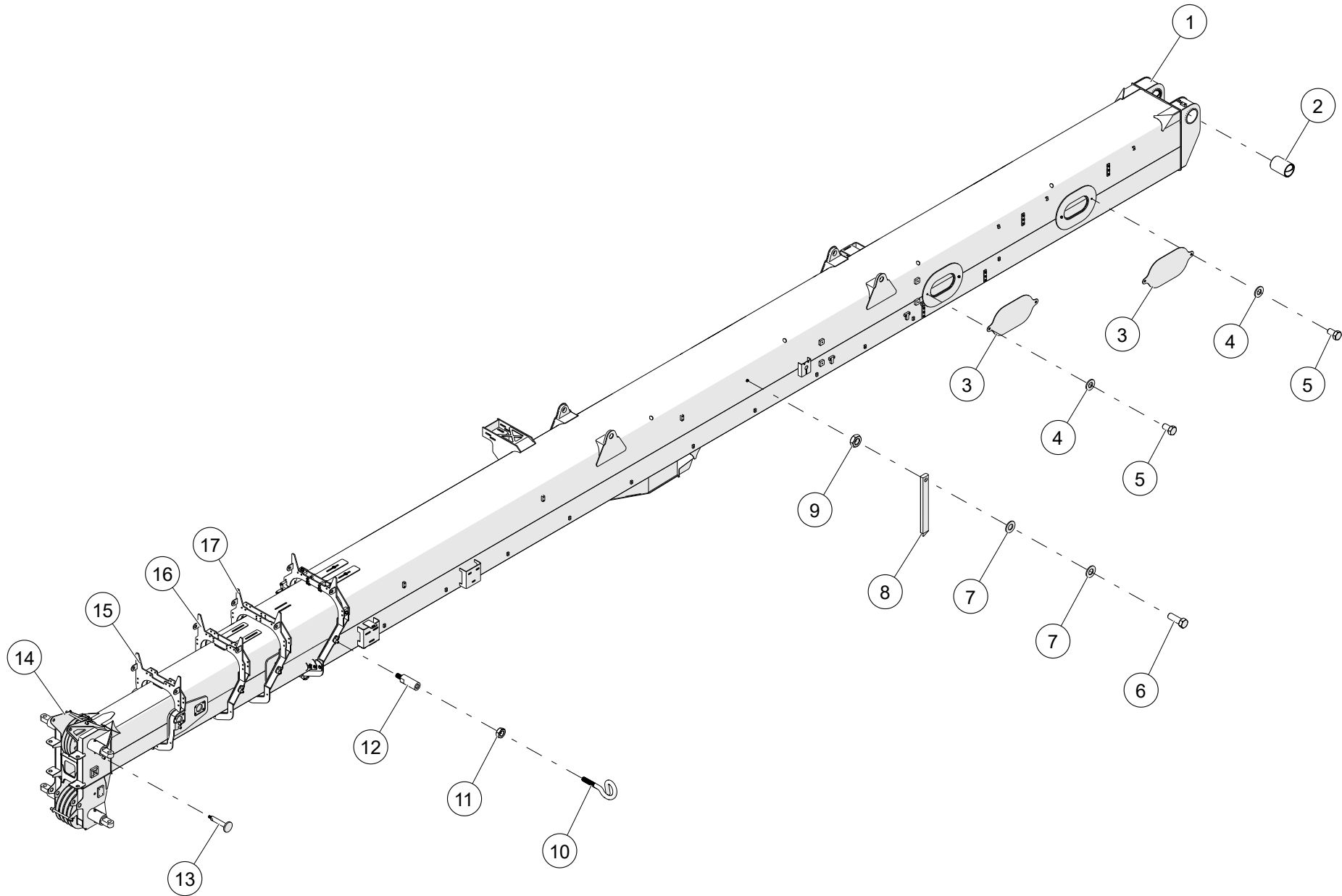
WHEN ORDERING PARTS, SPECIFY MODEL NUMBER, SERIAL NUMBER AND DESCRIPTION OF PARTS REQUIRED

CAB ELECTRICAL INSTALLATION

ITEM	PART NUMBER	DESCRIPTION	QUANTITY	NOTES
	1027132	CAB ELECTRICAL INSTALLATION		
51	T120436	LIGHT, DOME	2	
52	T137463	PLUG, 1.5 BLACK DOME	1	
53	T111819	PORT, 12V POWER	2	
54	T160366	SWITCH, E-STOP	1	
55	1223-858	SWITCH, IGNITION W/ KEY	1	
56	1031326	DUAL USB CHARGE PORT	1	
57	WSH1-X08B000XZ0	WASHER, M8, STEEL, ZINC PLATED	3	
58	HHCS-M08B020PZ0	HEX HEAD CAP SCREW, M8-1.25X20, C8.8	3	
59	T133333	BRACKET	1	
60	T122874	PEDAL, THROTTLE	2	
61	T122264	BRACKET, BRAKE/THROTTLE PEDAL	1	
62	HHCS-M06A025PZ0	HEX HEAD CAP SCREW, 6-1X25, C8.8	2	

WHEN ORDERING PARTS, SPECIFY MODEL NUMBER, SERIAL NUMBER AND DESCRIPTION OF PARTS REQUIRED

BOOM ASSEMBLY



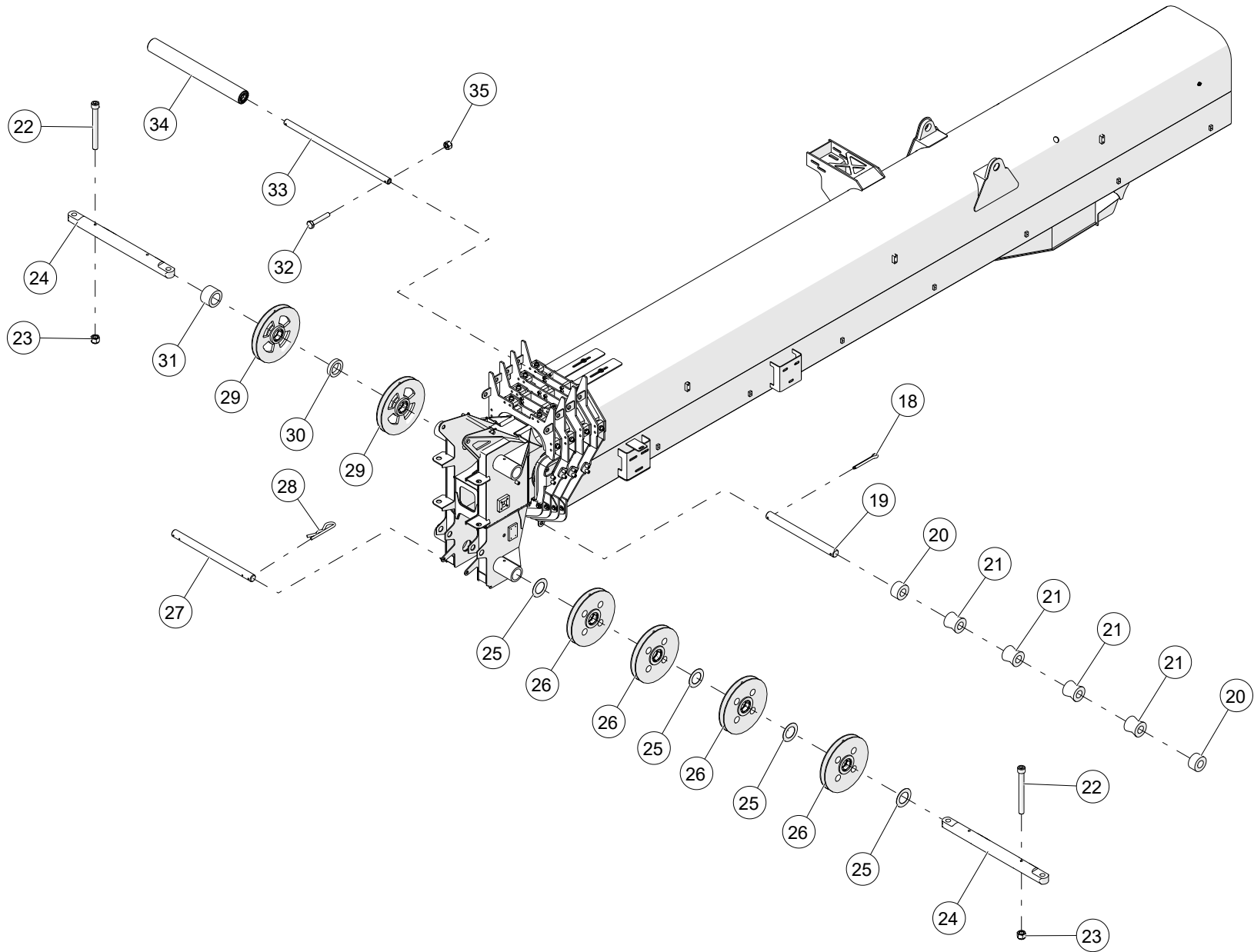
WHEN ORDERING PARTS, SPECIFY MODEL NUMBER, SERIAL NUMBER AND DESCRIPTION OF PARTS REQUIRED

BOOM ASSEMBLY

ITEM	PART NUMBER	DESCRIPTION	QUANTITY	NOTES
	1032204	BOOM ASSEMBLY, 155FT, 50TON		
1	1032205	WELDMENT, BASE SECTION	1	
2	1008463	BUSHING, PIVOT PIN	2	
3	1004751	PLATE, ACCESS HOLE COVER	4	
4	WSH2-X5000008Z0	SAE WASHER, 1/2, GR8, ZN	22	
5	HHCS-C5008758Z0	HEX HEAD CAP SCREW, 1/2-13 X 7/8 LEN, GR8, ZN	8	
6	HHCS-C438A258Z1	HEX HEAD CAP SCREW, 7/16-14 X 1 1/4 LEN, GR8, ZN, FULL THREAD	1	
7	WSH2-X4380008Z0	SAE WASHER, 7/16, GR8, ZN	2	
8	729-02578	POINTER	1	
9	NUT2-C4380008Z0	HEX JAM NUT, 7/16-14, GR8, ZN	1	
10	1004652	LMI CABLE GUIDE	4	
11	NUT2-C3750008Z0	HEX JAM NUT, 3/8-16, GR8, ZN	4	
12	1004651	CABLE GUIDE MOUNT	4	
13	1004438	WELDMENT, LMI TIE OFF	1	
14	1032294	WELDMENT, TIP SECTION	1	
15	1032275	WELDMENT, 4 TH SECTION	1	
16	1032255	WELDMENT, 3 RD SECTION	1	
17	1032236	WELDMENT, 2 ND SECTION	1	

WHEN ORDERING PARTS, SPECIFY MODEL NUMBER, SERIAL NUMBER AND DESCRIPTION OF PARTS REQUIRED

BOOM ASSEMBLY



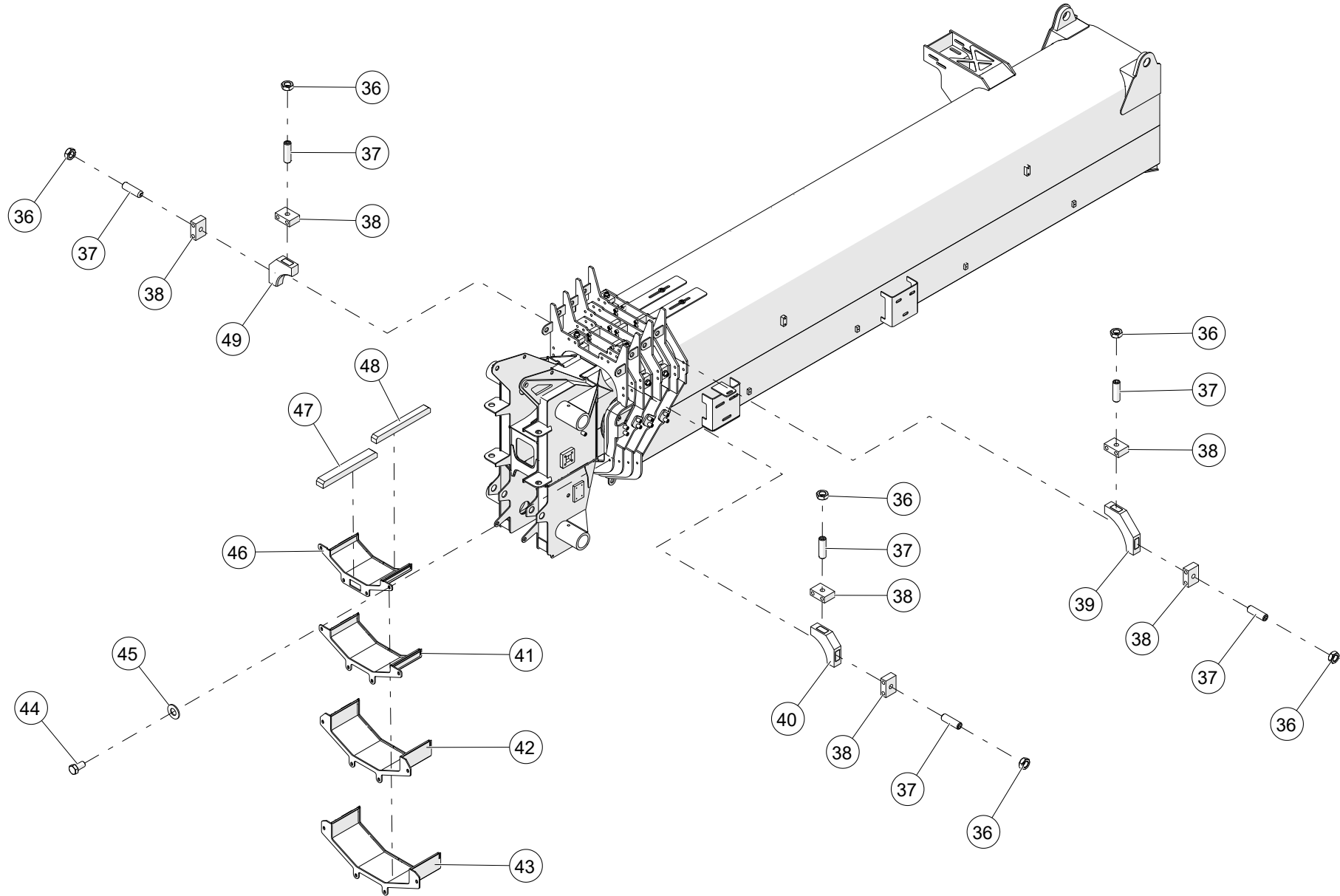
WHEN ORDERING PARTS, SPECIFY MODEL NUMBER, SERIAL NUMBER AND DESCRIPTION OF PARTS REQUIRED

BOOM ASSEMBLY

ITEM	PART NUMBER	DESCRIPTION	QUANTITY	NOTES
	1032204	BOOM ASSEMBLY, 155FT, 50TON		
18	PIN3-X250B00XZ0	COTTER PIN, 1/4 DIA X 2 LEN, ZINC	2	
19	1026760	ROUND, ROLLER SHAFT	1	
20	1026761	SPACER, BOTTOM ROLLERS	2	
21	1005003	ROLLER, WIRE ROPE	4	
22	SHCS-C500E00AB0	SOCKET HEAD CAP SCREW, 1/2-13 X 5 LEN, BO	14	
23	NUT3-C5000008Z0	NYLON LOCK NUT, 1/2-13, GR8, ZN	20	
24	1032411	PIN, BOOM HEAD SHAFT	2	
25	1035259	SPACER, BOOM HEAD SHEAVES	4	
26	1035256	ASSEMBLY, NYLON BOOM HEAD SHEAVE 5/8	4	SEE PAGE 83
27	1005006	ROUND, WIRE ROPE KEEPER	2	
28	PIN2-X125B00YZ0	HAIRPIN, 1/8 DIA X 2 LEN, ZINC	4	
29	1029874	ASSEMBLY, BOOM HEAD SHEAVE	2	
30	1032419	SPACER, BOOM HEAD TOP 1	1	
31	1032420	SPACER, 3" ID x 4.5" OD X 2.97" THK	1	
32	HHCS-C250A508Z0	HEX HEAD CAP SCREW, 1/4-20 X 1 1/2 LEN, GR8, ZN	8	
33	1005432	HOLLOW SHAFT, WINCH ROPE ROLLER SUPPORT	4	
34	1004635	ASSEMBLY, ROLLER	4	
35	NUT3-C2500008Z0	NYLON LOCK NUT, 1/4-20, GR8, ZN	8	

WHEN ORDERING PARTS, SPECIFY MODEL NUMBER, SERIAL NUMBER AND DESCRIPTION OF PARTS REQUIRED

BOOM ASSEMBLY



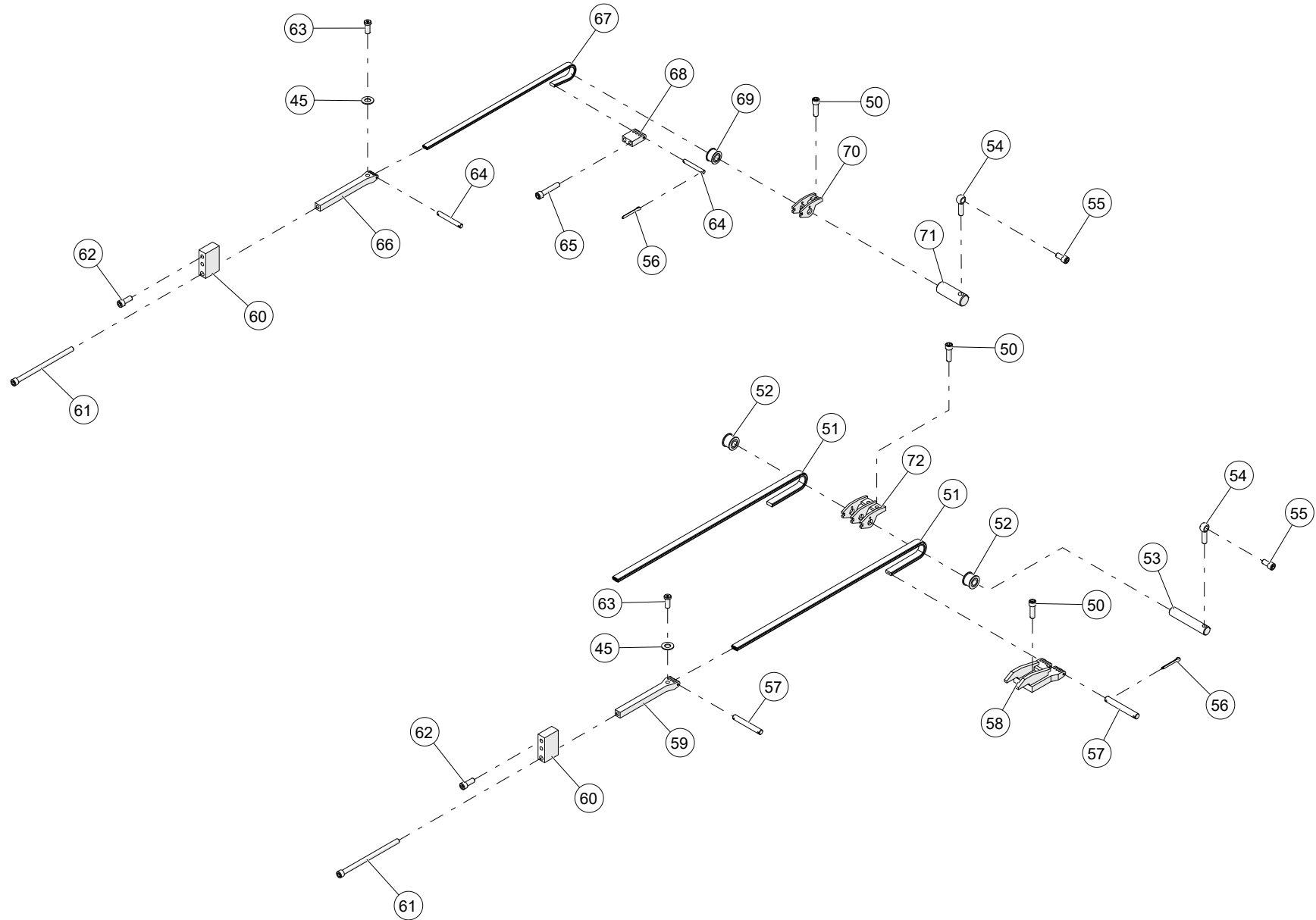
WHEN ORDERING PARTS, SPECIFY MODEL NUMBER, SERIAL NUMBER AND DESCRIPTION OF PARTS REQUIRED

BOOM ASSEMBLY

ITEM	PART NUMBER	DESCRIPTION	QUANTITY	NOTES
	1032204	BOOM ASSEMBLY, 155FT, 50TON		
36	NUT2-C7500005Z0	HEX JAM NUT, 3/4-10, GR5, ZN	16	
37	SS01-C750B50CB0	SET SCREW, 3/4-10 X 2 1/2 LEN, BO	16	
38	1004338	BAR, WEAR PAD ADJUSTING	16	
39	1004346	WEAR PAD ASM, FRONT UPPER LARGE	2	
40	1004349	WEAR PAD ASM, FRONT UPPER SMALL	4	
41	1032397	WELDMENT, WEAR PAD TRAY, 4 TH SECTION	1	
42	1032393	WELDMENT, WEAR PAD TRAY, 3 RD SECTION	1	
43	1032388	WELDMENT, WEAR PAD TRAY, 2 ND SECTION	1	
44	HHCS-C500A008Z0	HEX HEAD CAP SCREW, 1/2-13 X 1 LEN, GR8, ZN	16	
45	WSH2-X6250008Z0	SAE WASHER, 5/8, GR8, ZN	22	
46	1032402	WLDMENT, WEAR PAD TRAY, 5 TH SECTION	1	
47	1004340	WEAR PAD, FRONT LOWER THICK	70	
48	1004339	WEAR PAD, FRONT LOWER THIN	34	
49	1032544	WEAR PAD ASM, FRONT UPPER SMALL	2	

WHEN ORDERING PARTS, SPECIFY MODEL NUMBER, SERIAL NUMBER AND DESCRIPTION OF PARTS REQUIRED

BOOM ASSEMBLY



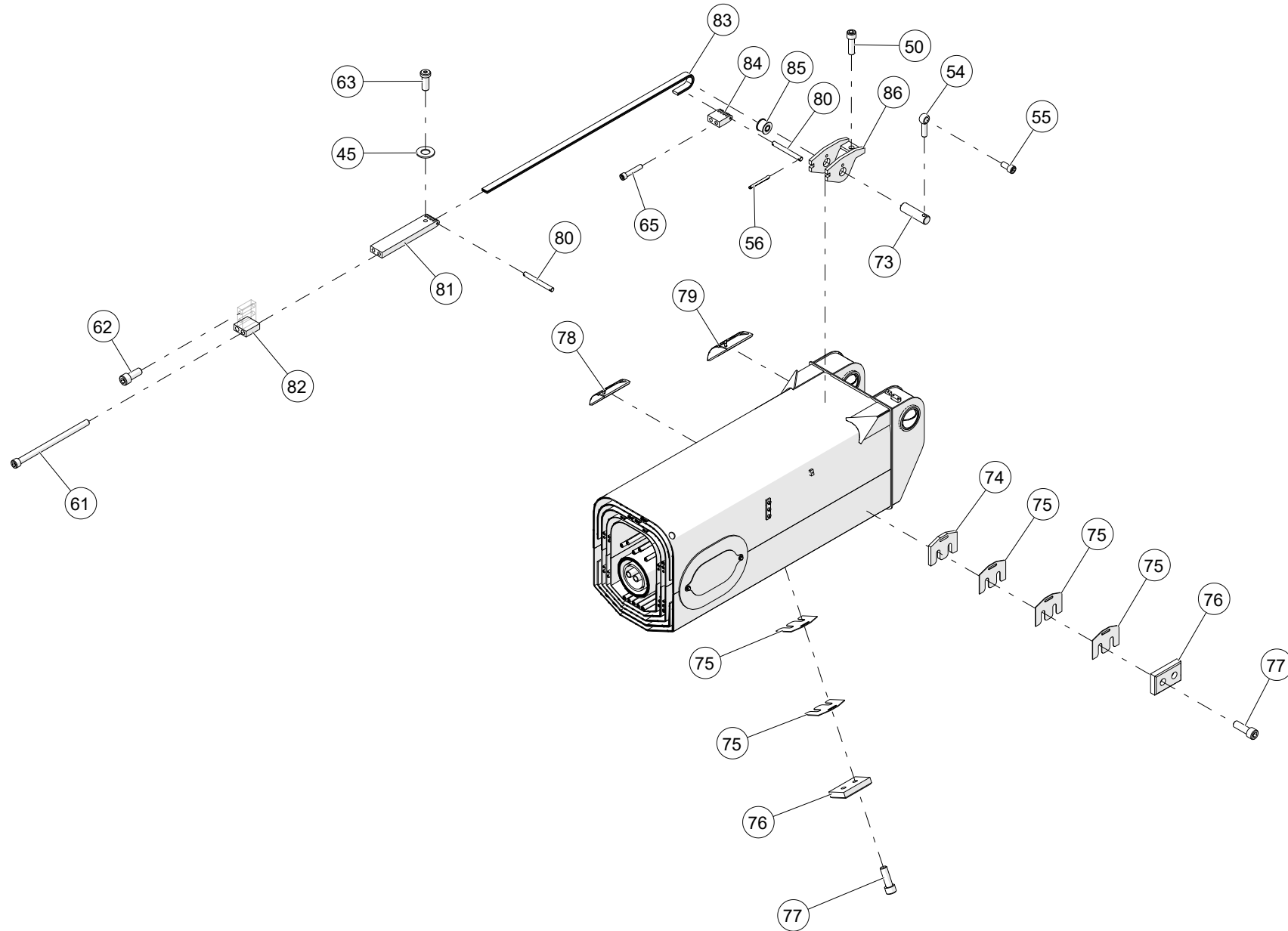
WHEN ORDERING PARTS, SPECIFY MODEL NUMBER, SERIAL NUMBER AND DESCRIPTION OF PARTS REQUIRED

BOOM ASSEMBLY

ITEM	PART NUMBER	DESCRIPTION	QUANTITY	NOTES
	1032204	BOOM ASSEMBLY, 155FT, 50TON		
50	SHCS-C375A25AB0	SOCKET HEAD CAP SCREW, 3/8-16 X 1 1/4 LEN, BO	7	
51	1032386	LEAF CHAIN BL566	2	
52	1004400	ASSEMBLY, CHAIN SHEAVE BL566	2	
53	1004641	PIN, 1 DIA X 4 5/16 LEN	1	
54	1005446	ROD END, 3/8	5	
55	SHCS-C375750AB0	SOCKET HEAD CAP SCREW, 3/8-16 X 3/4 LEN, BO	5	
56	PIN3-X063500XZ0	COTTER PIN, 1/16 DIA X 1/2 LEN, ZINC	12	
57	1005000	PIN, CONNECTING BL566 LEAF CHAIN	4	
58	1004758	WELDMENT, CHAIN ANCHOR BL566	1	
59	1004757	ANCHOR, BL566 CHAIN	2	
60	1004762	BAR, CHAIN ANCHOR	4	
61	SHCS-C500H50AB1	SOCKET HEAD CAP SCREW, 1/2-13 X 8 1/2 LEN, BO, FULL THREAD	8	
62	SHCS-C500A25AB0	SOCKET HEAD CAP SCREW, 1/2-13 X 1 1/4 LEN, BO	31	
63	SH01-C500A25AB0	SHCS LOW HEAD, 1/2-13 X 1 1/4 LEN, BO	10	
64	1004999	PIN, CONNECTING BL466 LEAF CHAIN	4	
65	SHCS-C375B00AB0	SOCKET HEAD CAP SCREW, 3/8-16 X 2 LEN, BO	8	
66	1004763	ANCHOR, BL466 CHAIN	2	
67	1032387	LEAF CHAIN BL466	2	
68	1004764	ANCHOR, BL466 CHAIN	2	
69	1004403	ASSEMBLY, CHAIN SHEAVE BL466	2	
70	1004406	WELDMENT, CHAIN ANCHOR BL466	2	
71	1004642	PIN, 1 DIA X 2 3/4 LEN	2	
72	1004409	WELDMENT, CHAIN ANCHOR BL566	1	

WHEN ORDERING PARTS, SPECIFY MODEL NUMBER, SERIAL NUMBER AND DESCRIPTION OF PARTS REQUIRED

BOOM ASSEMBLY



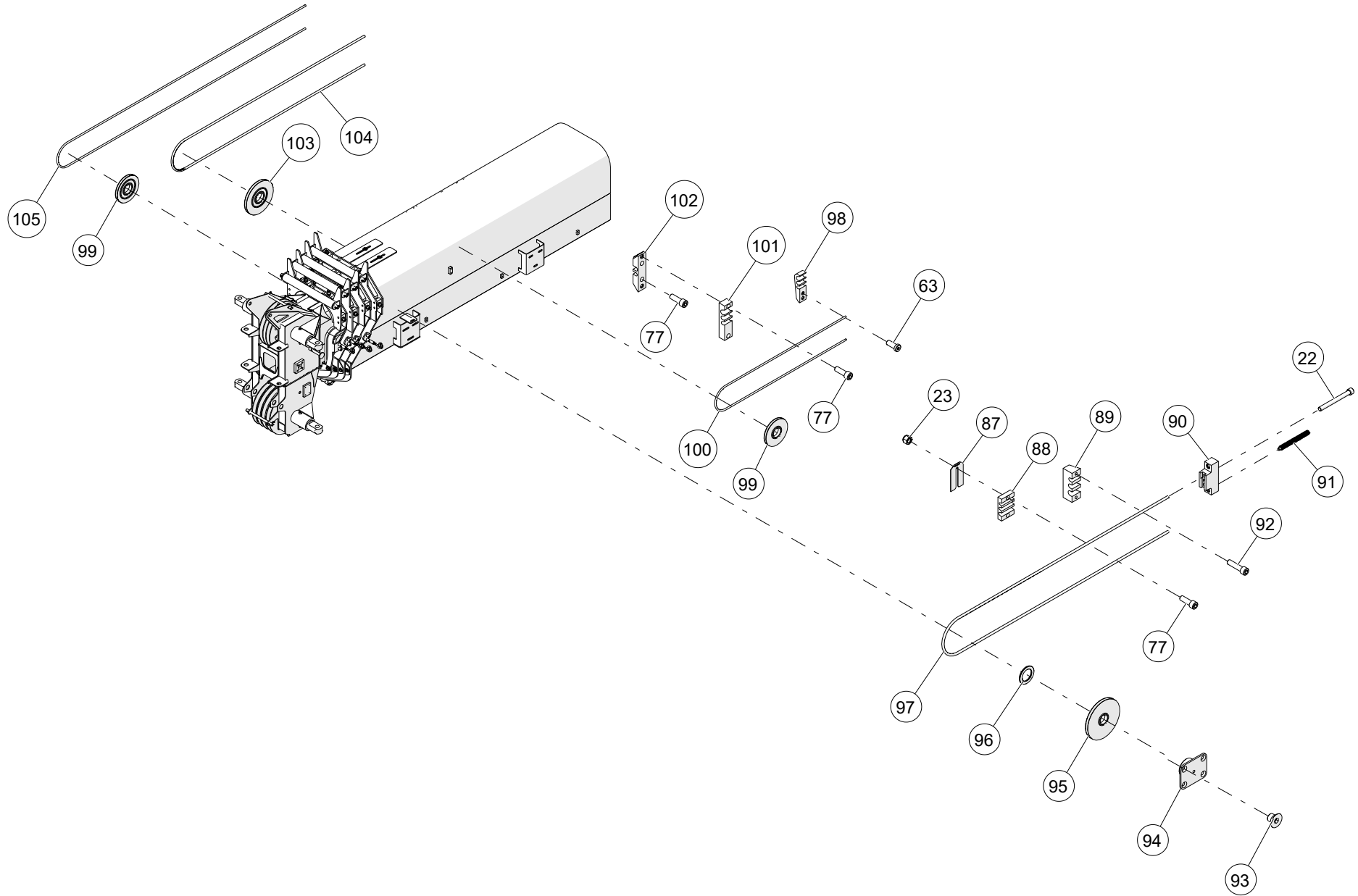
WHEN ORDERING PARTS, SPECIFY MODEL NUMBER, SERIAL NUMBER AND DESCRIPTION OF PARTS REQUIRED

BOOM ASSEMBLY

ITEM	PART NUMBER	DESCRIPTION	QUANTITY	NOTES
	1032204	BOOM ASSEMBLY, 155FT, 50TON		
73	1004640	PIN, 1 DIA X 3 5/8 LEN	2	
74	1004820	SHIM, WEAR PAD	4	
75	1004809	SHIM, WEAR PAD	24	
76	1004808	WEAR PAD, REAR LOWER	10	
77	SHCS-C500A50AB0	SOCKET HEAD CAP SCREW, 1/2-13 X 1 1/2 LEN, BO	40	
78	1004336	WEAR PAD, REAR UPPER SMALL	4	
79	1004337	WEAR PAD, REAR UPPER LARGE	4	
80	1005001	PIN, CONNECTING BL588 LEAF CHAIN	4	
81	1004752	ANCHOR, BL588 CHAIN	2	
82	1004754	WELDMENT, CHAIN ANCHOR BL588	2	
83	1032385	LEAF CHAIN BL588	2	
84	1004753	ANCHOR, BL588 CHAIN	2	
85	1004397	ASSEMBLY, CHAIN SHEAVE BL588	2	
86	1004413	WELDMENT, CHAIN ANCHOR BL588	2	

WHEN ORDERING PARTS, SPECIFY MODEL NUMBER, SERIAL NUMBER AND DESCRIPTION OF PARTS REQUIRED

BOOM ASSEMBLY

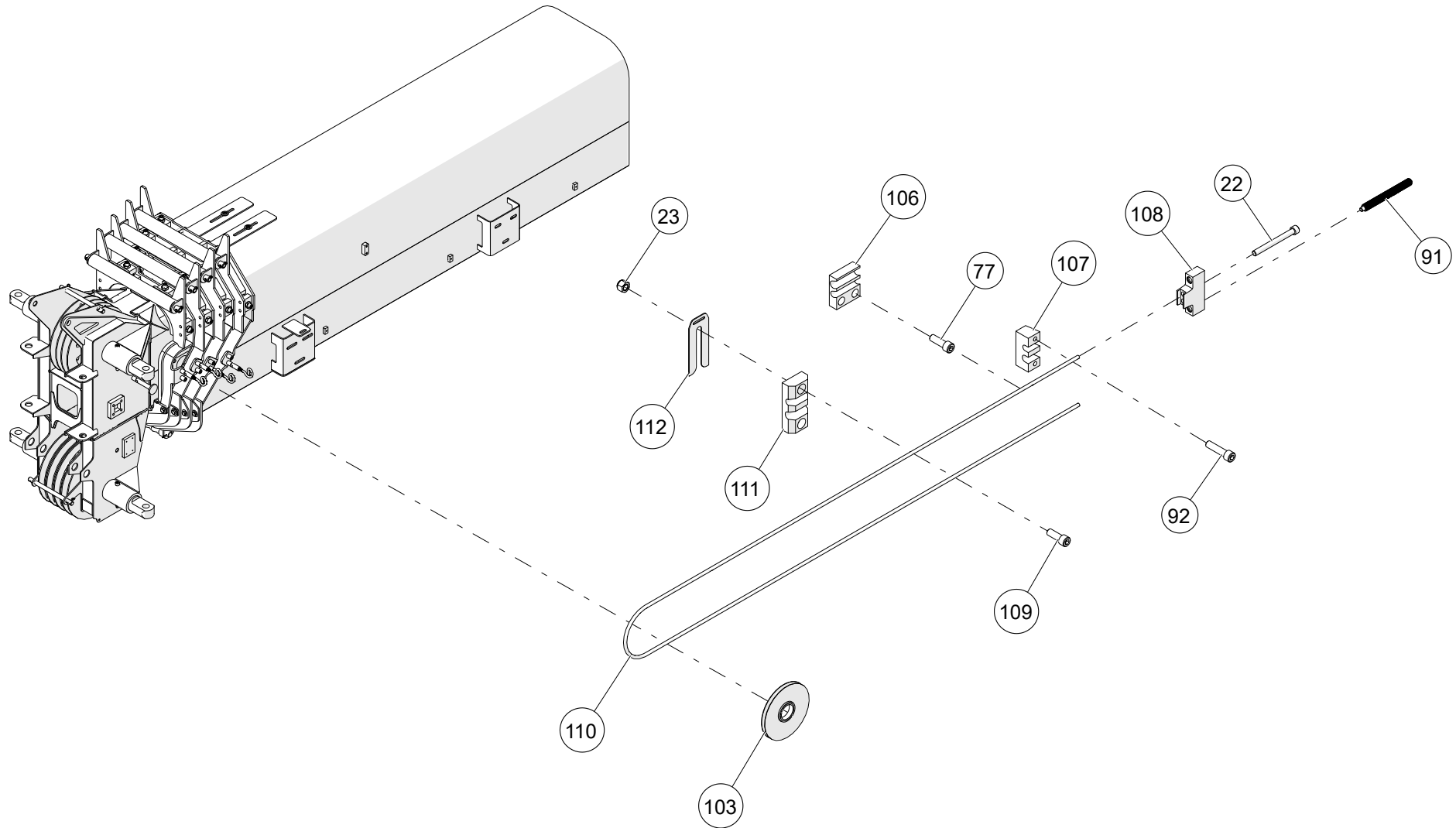


WHEN ORDERING PARTS, SPECIFY MODEL NUMBER, SERIAL NUMBER AND DESCRIPTION OF PARTS REQUIRED

BOOM ASSEMBLY

ITEM	PART NUMBER	DESCRIPTION	QUANTITY	NOTES
	1032204	BOOM ASSEMBLY, 155FT, 50TON		
87	1004384	SHIM, WEAR PAD	2	
88	1032422	GUIDE BLOCK, THREE SLOT WIRE ROPE	2	
89	1032409	BAR, LH LARGE ROPE ANCHOR	1	
90	1004632	ASSEMBLY, 4TH SECTION EXTEND ROPE ANCHOR	2	
91	1004615	ROUND, THREADED ROD 7/8-9 UNC	8	
92	SHCS-C500B00AB1	SOCKET HEAD CAP SCREW, 1/2-13 X 2 LEN, BO, FULL THREAD	8	
93	SH02-C500563BB0	SHCS C'SUNK HEAD, 1/2-13 X 9/16 LEN, BO	40	
94	1040810	BEARING SUPPORT, SIDE SHEAVE	10	
95	1004386	ASSEMBLY, EXTEND SHEAVE LARGE	2	
96	1032421	EXTEND SHEAVE SPACER, LARGE SHEAVE	2	
97	1032340	WIRE ROPE, 3/4 DIA, 50155 BOOM EXT	2	
98	1032869	ROPE GUIDE ASM, SECTION 4	2	
99	1004389	ASSEMBLY, EXTEND SHEAVE SMALL	4	
100	1032342	WIRE ROPE, 1/2 DIA, 50155 BOOM EXT	2	
101	1032872	ROPE GUIDE, SECTION 5, OUTER	2	
102	1032873	ROPE GUIDE ASM, SECTION 5, INNER	2	
103	1004392	ASSEMBLY, EXTEND SHEAVE MEDIUM	4	
104	1032341	WIRE ROPE, 5/8 DIA, 50155 BOOM EXT	2	
105	1032344	WIRE ROPE, 1/2 DIA, 50155 BOOM EXT	2	

WHEN ORDERING PARTS, SPECIFY MODEL NUMBER, SERIAL NUMBER AND DESCRIPTION OF PARTS REQUIRED



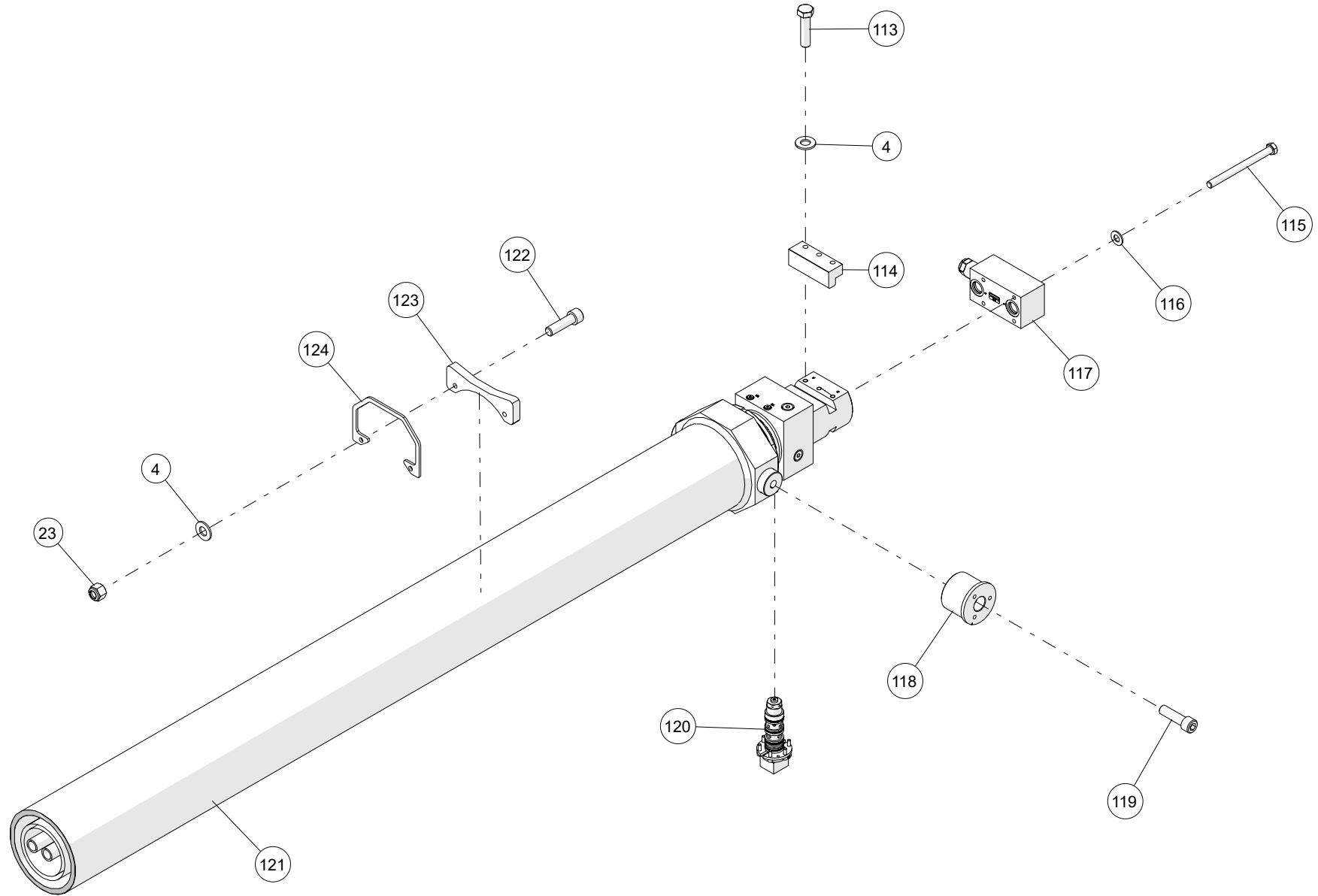
WHEN ORDERING PARTS, SPECIFY MODEL NUMBER, SERIAL NUMBER AND DESCRIPTION OF PARTS REQUIRED

BOOM ASSEMBLY

ITEM	PART NUMBER	DESCRIPTION	QUANTITY	NOTES
	1032204	BOOM ASSEMBLY, 155FT, 50TON		
106	1032871	ROPE GUIDE, SECTION 6	2	
107	1032407	BAR, LH SMALL ROPE ANCHOR	1	
108	1004629	ASSEMBLY, 5TH SECTION EXTEND ROPE ANCHOR	2	
109	SHCS-C500A37AB0	SOCKET HEAD CAP SCREW, 1/2-13 X 1 3/8 LEN, BO	4	
110	1032343	WIRE ROPE, 5/8 DIA, 50155 BOOM EXT	2	
111	1004609	GUIDE BLOCK, TWO SLOT WIRE ROPE	2	
112	1004385	SHIM, WEAR PAD	2	

WHEN ORDERING PARTS, SPECIFY MODEL NUMBER, SERIAL NUMBER AND DESCRIPTION OF PARTS REQUIRED

BOOM ASSEMBLY



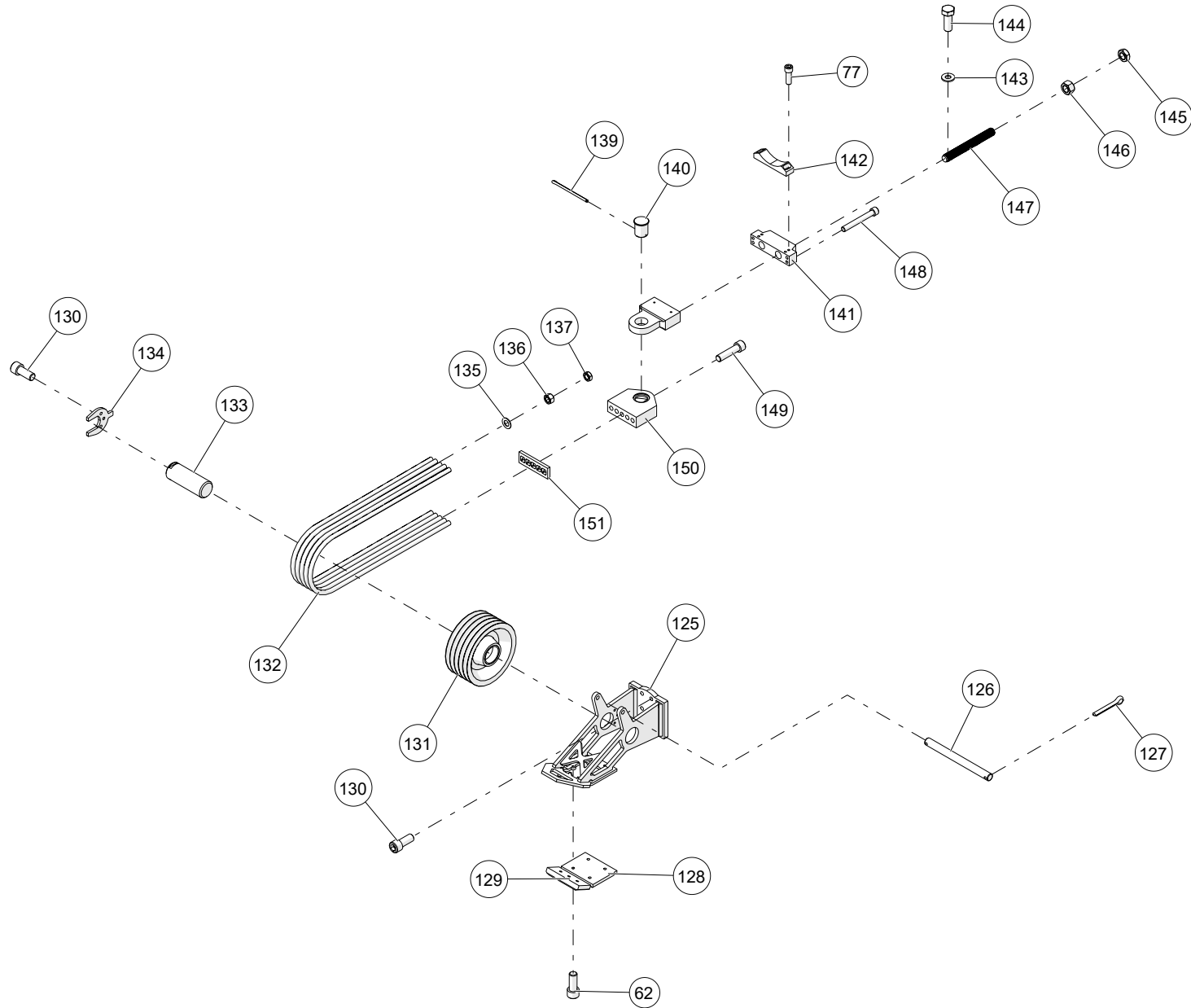
WHEN ORDERING PARTS, SPECIFY MODEL NUMBER, SERIAL NUMBER AND DESCRIPTION OF PARTS REQUIRED

BOOM ASSEMBLY

ITEM	PART NUMBER	DESCRIPTION	QUANTITY	NOTES
	1032204	BOOM ASSEMBLY, 155FT, 50TON		
113	HHCS-C500B008Z0	HEX HEAD CAP SCREW, 1/2-13 X 2 LEN, GR8, ZN	6	
114	1004748	BAR, CLAMP, LOWER EXTEND CYLINDER	2	
115	HHCS-C375D508Z1	HEX HEAD CAP SCREW, 3/8-16 X 4 1/2 LEN, GR8, ZN, FULL THREAD	4	
116	WSH2-X3750008Z0	SAE WASHER, 3/8, GR8, ZN	4	
117	1008354	VALVE, REGEN	1	
118	1004745	ROUND, CYLINDER RETAINING CUP	2	
119	SHCS-CA00C50AB0	SOCKET HEAD CAP SCREW, 1-8 X 3 1/2 LEN, BO	2	
120	1036582	LOAD CONTROL VALVE, CINDY, 20-B CTD-S300-L-G12-7-S1601	1	
121	1032345	CYLINDER, TELESCOPE	1	
122	SHCS-C500A75AB1	SOCKET HEAD CAP SCREW, 1/2-13 X 1 3/4 LEN, BO, FULL THREAD	8	
123	1041492	WEAR, TELE ROPES	4	
124	1039375	PLATE, TELE ROPE RETAINER	4	

WHEN ORDERING PARTS, SPECIFY MODEL NUMBER, SERIAL NUMBER AND DESCRIPTION OF PARTS REQUIRED

BOOM ASSEMBLY

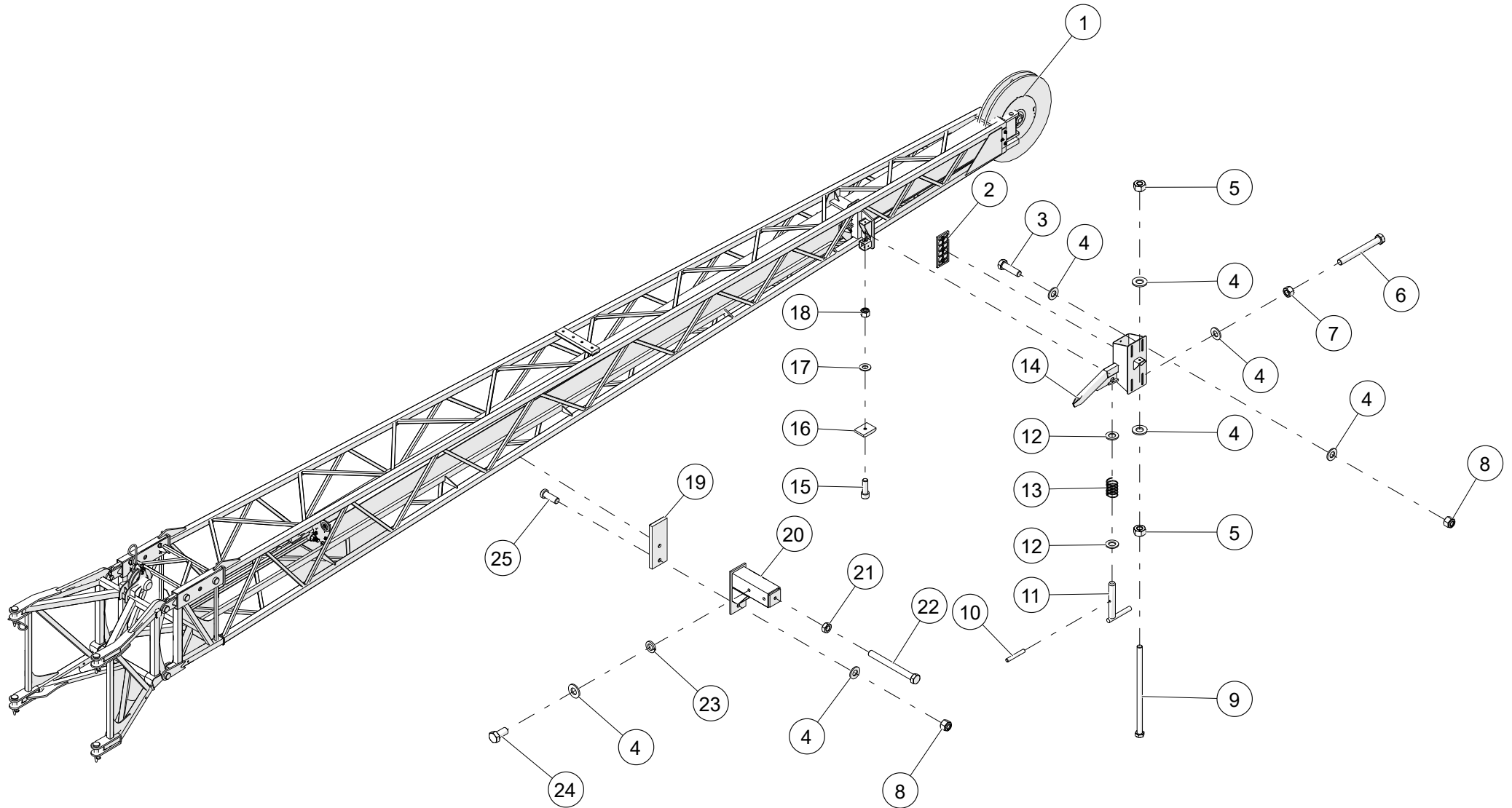


WHEN ORDERING PARTS, SPECIFY MODEL NUMBER, SERIAL NUMBER AND DESCRIPTION OF PARTS REQUIRED

BOOM ASSEMBLY

ITEM	PART NUMBER	DESCRIPTION	QUANTITY	NOTES
	1032204	BOOM ASSEMBLY, 155FT, 50TON		
125	1004617	WELDMENT, CYLINDER HEAD	1	
126	1004644	ROUND, WIRE ROPE KEEPER	1	
127	PIN3-X250A50XZ0	COTTER PIN, 1/4 DIA X 1 1/2 LEN, ZINC	2	
128	1004345	WEAR PAD, CYLINDER HEAD SUPPORT REAR	1	
129	1004344	WEAR PAD, CYLINDER HEAD SUPPORT FRONT	1	
130	SHCS-C750A75AB0	SOCKET HEAD CAP SCREW, 3/4-10 X 1 3/4 LEN, BO	9	
131	1004394	ASSEMBLY, WIRE ROPE SHEAVE	1	SEE PAGE 87
132	1032384	WIRE ROPE, 7/8 DIA, 50155 BOOM TELE	5	
133	1004645	PIN, 3 1/2 DIA X 9 1/2 LEN	1	
134	1034963	PLATE, RETAINER CLIP	1	
135	WSH2-XA120008Z0	SAE WASHER, 1-1/8, GR8, ZN	5	
136	NUT1-CA120008Z0	HEX NUT, 1 1/8-7, GR8, ZN	5	
137	NUT2-CA120008Z0	HEX JAM NUT, 1 1/8-7, GR8, ZN	5	
138	1004612	PLATE, 4TH SECTION EXTEND ANCHOR CLEVIS	1	
139	PIN3-X250D00XZ0	COTTER PIN, 1/4 DIA X 4 LEN, ZINC	1	
140	1004639	PIN, 2 1/2 DIA X 2 15/16 LEN	1	
141	1032413	PLATE, 4TH STAGE EXTEND ROPE ANCHOR	1	
142	1032414	WEAR PAD, CYLINDER HEAD SUPPORT	1	
143	WSH2-X2500008Z0	SAE WASHER, 1/4, GR8, ZN	2	
144	HHCS-C375A005Z0	HEX HEAD CAP SCREW, 3/8-16 X 1 LEN, GR5, ZN	2	
145	NUT2-CA500008Z0	HEX JAM NUT, 1 1/2-6, GR8, ZN	2	
146	NUT1-CA500008Z0	HEX NUT, 1 1/2-6, GR8, ZN	2	
147	1004611	ROUND, THREADED ROD 1 1/2-6 UNC	2	
148	SHCS-C500D00AB1	SOCKET HEAD CAP SCREW, 1/2-13 X 4 LEN, BO, FULL THREAD	4	
149	SHCS-C875C50AB0	SOCKET HEAD CAP SCREW, 7/8-9 X 3 1/2 LEN, BO	5	
150	1004613	PLATE, 4TH SECTION EXTEND ANCHOR CLEVIS	1	
151	1031163	TORQUE PLATE	1	

WHEN ORDERING PARTS, SPECIFY MODEL NUMBER, SERIAL NUMBER AND DESCRIPTION OF PARTS REQUIRED

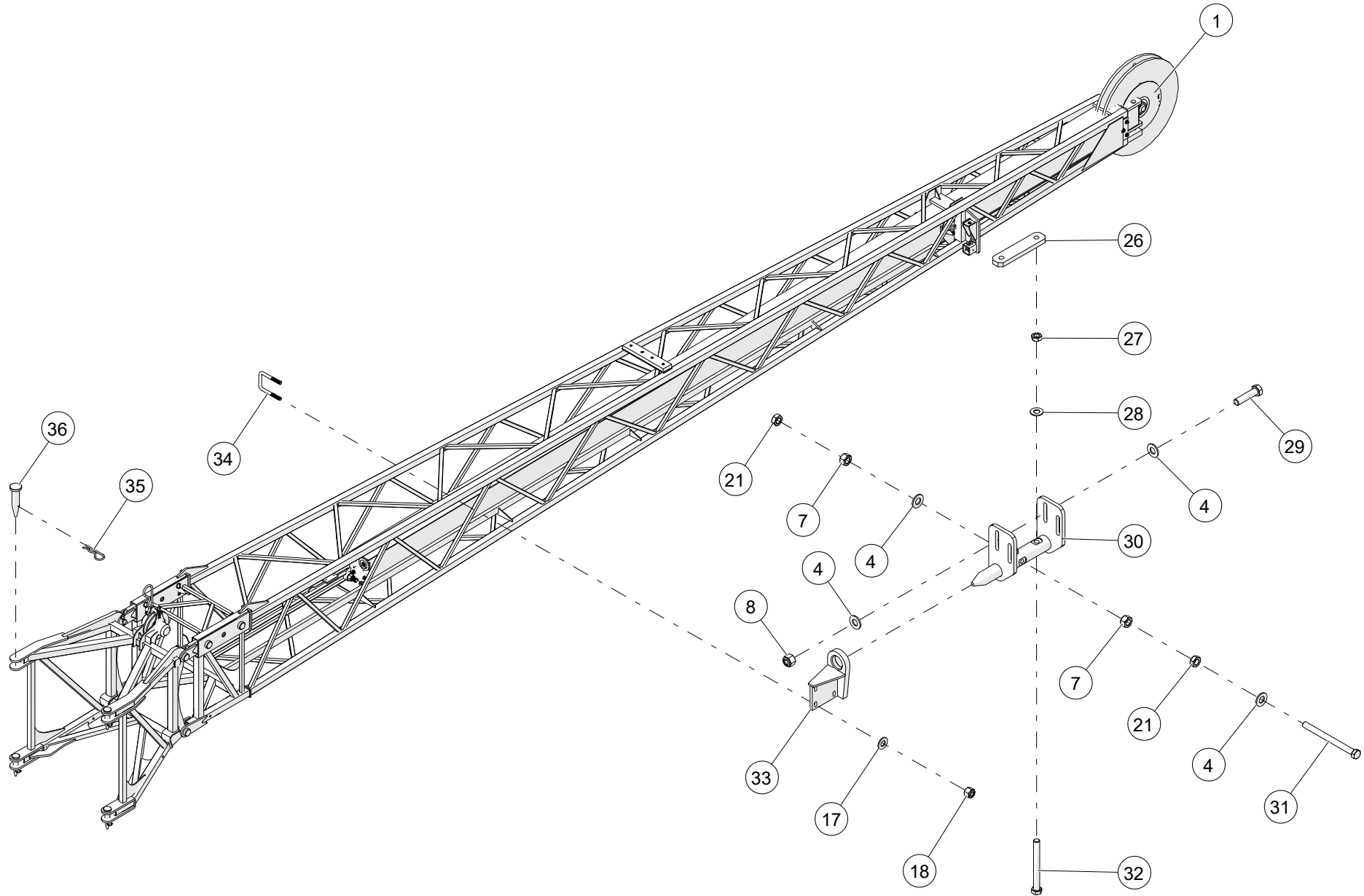


WHEN ORDERING PARTS, SPECIFY MODEL NUMBER, SERIAL NUMBER AND DESCRIPTION OF PARTS REQUIRED

JIB STOWAGE

ITEM	PART NUMBER	DESCRIPTION	QUANTITY	NOTES
	1036225	JIB STOWAGE		
1	1036252	JIB ASSEMBLY, 32'-49'	1	SEE PAGE 77
2	709-1564	PAD	1	
3	HHCS-C500A758Z0	HEX HEAD CAP SCREW, 1/2-13 X 1 3/4 LEN, GR8, ZN	4	
4	WSH2-X5000008Z0	SAE WASHER, 1/2, GR8, ZN	28	
5	NUT5-C5000008Z0	HEAVY HEX NUT, 1/2-13, GR8, ZN	2	
6	HHCS-C500D508Z1	HEX HEAD CAP SCREW, 1/2-13 X 4 1/2 LEN, GR8, ZN, FULL THREAD	1	
7	NUT1-C5000008Z0	HEX NUT, 1/2-13, GR8, ZN	4	
8	NUT3-C5000008Z0	NYLON LOCK NUT, 1/2-13, GR8, ZN	10	
9	HHCS-C500K008Z1	HEX HEAD CAP SCREW, 1/2-13 X 10 LEN, GR8, ZN, FULL THREAD	1	
10	1227-258	PIN, ROLL 1/4 X 1 3/4	1	
11	712F0215	WELDMENT, HANDLE	1	
12	WSH2-X7500008Z0	SAE WASHER, 3/4, GR8, ZN	2	
13	371-0101	SPRING COMPRESSION	1	
14	709F7316	WELDMENT, JIB STOWAGE BRACKET	1	
15	SHCS-C375A12AB0	SOCKET HEAD CAP SCREW, 3/8-16 X 1 1/8 LEN, BO	1	
16	709-7384	WEAR PAD	1	
17	WSH2-X3750008Z0	SAE WASHER, 3/8, GR8, ZN	5	
18	NUT3-C3750008Z0	NYLON LOCK NUT, 3/8-16, GR8, ZN	5	
19	1036226	WEAR, ANTI ROTATION	1	
20	1036239	WELDMENT, ANTI ROTATION	1	
21	NUT2-C5000008Z0	HEX JAM NUT, 1/2-13, GR8, ZN	3	
22	HHCS-C500E008Z1	HEX HEAD CAP SCREW, 1/2-13 X 5 LEN, GR8, ZN, FULL THREAD	1	
23	WSH4-X5000008Z0	SPIRAL LOCK WASHER, 1/2, GR8, ZN	4	
24	HHCS-C500A008Z0	HEX HEAD CAP SCREW, 1/2-13 X 1 LEN, GR8, ZN	4	
25	SH01-C500A37AB0	SHCS LOW HEAD, 1/2-13 X 1 3/8 LEN, BO	2	

WHEN ORDERING PARTS, SPECIFY MODEL NUMBER, SERIAL NUMBER AND DESCRIPTION OF PARTS REQUIRED

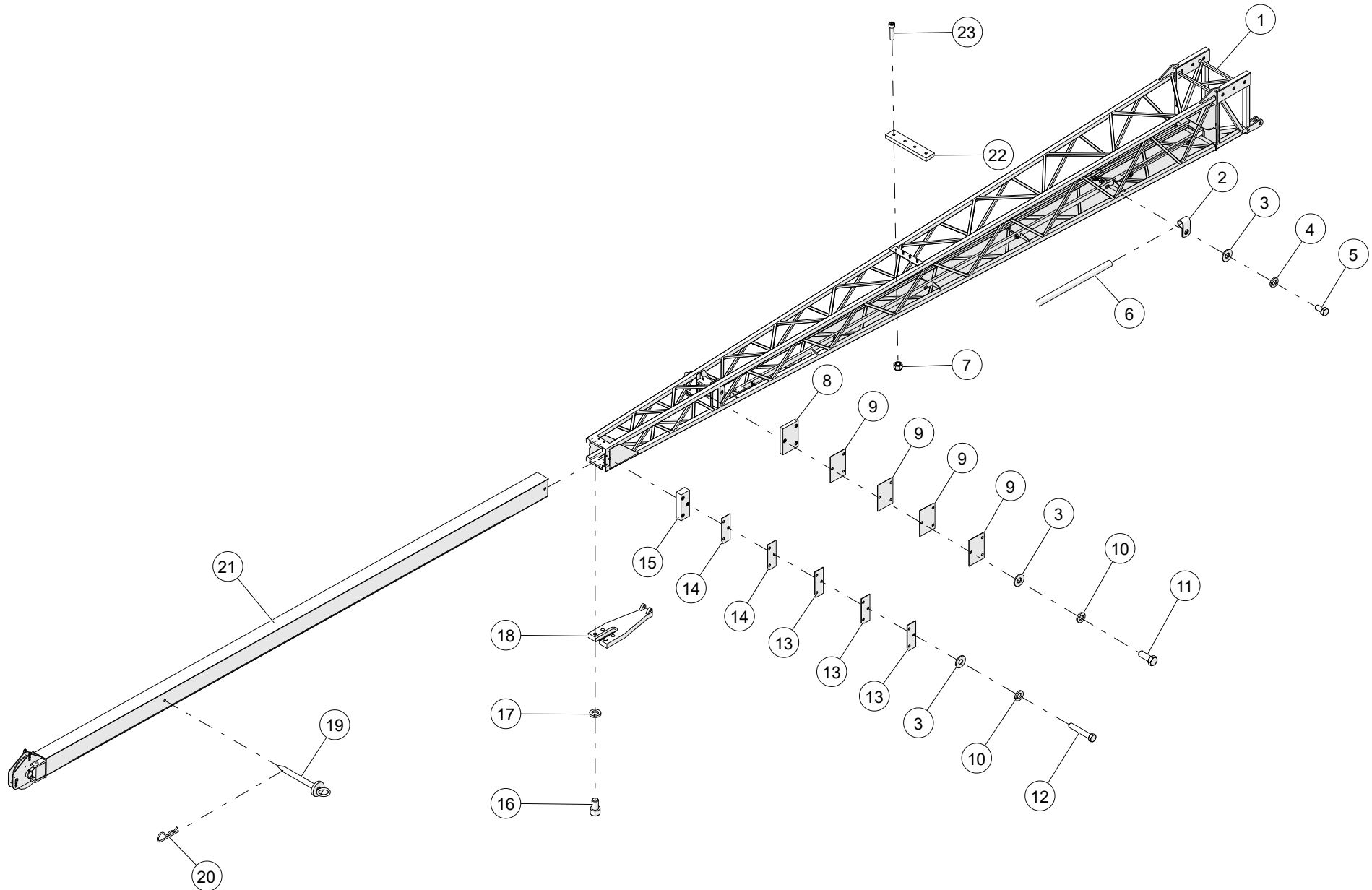


WHEN ORDERING PARTS, SPECIFY MODEL NUMBER, SERIAL NUMBER AND DESCRIPTION OF PARTS REQUIRED

JIB STOWAGE

ITEM	PART NUMBER	DESCRIPTION	QUANTITY	NOTES
	1036225	JIB STOWAGE		
26	709-7342	PLATE, BAR	1	
27	NUT2-C6250008Z0	HEX JAM NUT, 5/8-11, GR8, ZN	2	
28	WSH2-X6250008Z0	SAE WASHER, 5/8, GR8, ZN	2	
29	HHCS-C500B008Z0	HEX HEAD CAP SCREW, 1/2-13 X 2 LEN, GR8, ZN	4	
30	1036227	WELDMENT, PIN	1	
31	HHCS-C500F008Z1	HEX HEAD CAP SCREW, 1/2-13 X 6 LEN, GR8, ZN, FULL THREAD	1	
32	HHCS-C625F008Z1	HEX HEAD CAP SCREW, 5/8-11 X 6 LEN, GR8, ZN, FULL THREAD	2	
33	1036230	WELDMENT, FRONT PIN BRACKET	1	
34	708-2742	ROD, U BOLT	2	
35	PIN2-X172C75YZ0	HAIRPIN, 11/64 DIA X 3 3/4 LEN, ZINC	4	
36	1036680	ROUND, JIB PIN	4	

WHEN ORDERING PARTS, SPECIFY MODEL NUMBER, SERIAL NUMBER AND DESCRIPTION OF PARTS REQUIRED

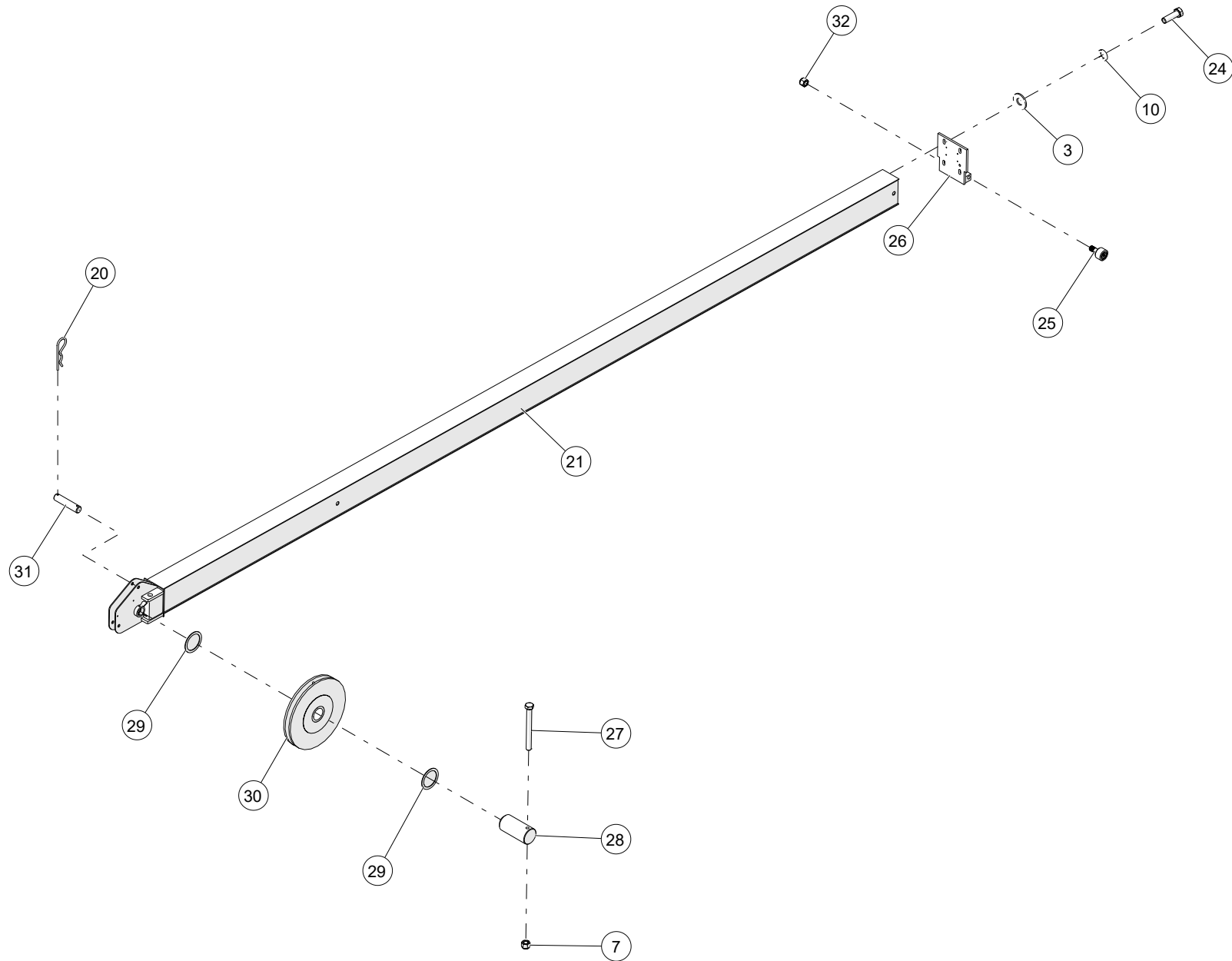


WHEN ORDERING PARTS, SPECIFY MODEL NUMBER, SERIAL NUMBER AND DESCRIPTION OF PARTS REQUIRED

JIB ASSEMBLY, 32' - 49'

ITEM	PART NUMBER	DESCRIPTION	QUANTITY	NOTES
	1036252	JIB ASSEMBLY, 32' - 49'		
1	1036274	WELDMENT, JIB BASE	1	
2	200B2007-4	CLAMP, MED, 1/2 ID	7	
3	WSH3-X3750008Z0	FENDER WASHER, 3/8, GR8, ZN	23	
4	WSH4-X4380008Z0	SPIRAL LOCK WASHER, 7/16, GR8, ZN	7	
5	HHCS-C3757508Z0	HEX HEAD CAP SCREW, 3/8-16 X 3/4 LEN, GR8, ZN	7	
6	1036686	TUBE, ATB CABLE 2	1	
7	NUT3-C3750008Z0	NYLON LOCK NUT, 3/8-16, GR8, ZN	6	
8	1036341	WEAR PAD	2	
9	1036262	PLATE, 1/16" SHIIM	8	
10	WSH4-X3750008Z0	SPIRAL LOCK WASHER, 3/8, GR8, ZN	16	
11	HHCS-C375A008Z0	HEX HEAD CAP SCREW, 3/8-16 X 1 LEN, GR8, ZN	6	
12	HHCS-C375B258Z0	HEX HEAD CAP SCREW, 3/8-16 X 2 1/4 LEN, GR8, ZN	6	
13	1036281	SHIM 1/8	6	
14	1036280	SHIM, 1/16"	4	
15	1036338	FRONT SIDE WEAR PAD	2	
16	SHCS-C625A00AB0	SOCKET HEAD CAP SCREW, 5/8-11 X 1 LEN, BO	4	
17	WSH5-X5000002Z0	SPIRAL LOCK WASHER, 1/2, GR2, ZN	4	
18	709F7154	BRACKET	1	
19	707F8527	PIN	1	
20	CALL FOR ASSISTANCE	CUSTOM HAIRPIN COTTER PIN	NA	
21	1036327	WELDMENT, STINGER	1	
22	1036679	WEAR, TOP CABLE	1	
23	SHCS-C375A50AB1	SOCKET HEAD CAP SCREW, 3/8-16 X 1 1/2 LEN, BO, FULL THREAD	4	

WHEN ORDERING PARTS, SPECIFY MODEL NUMBER, SERIAL NUMBER AND DESCRIPTION OF PARTS REQUIRED

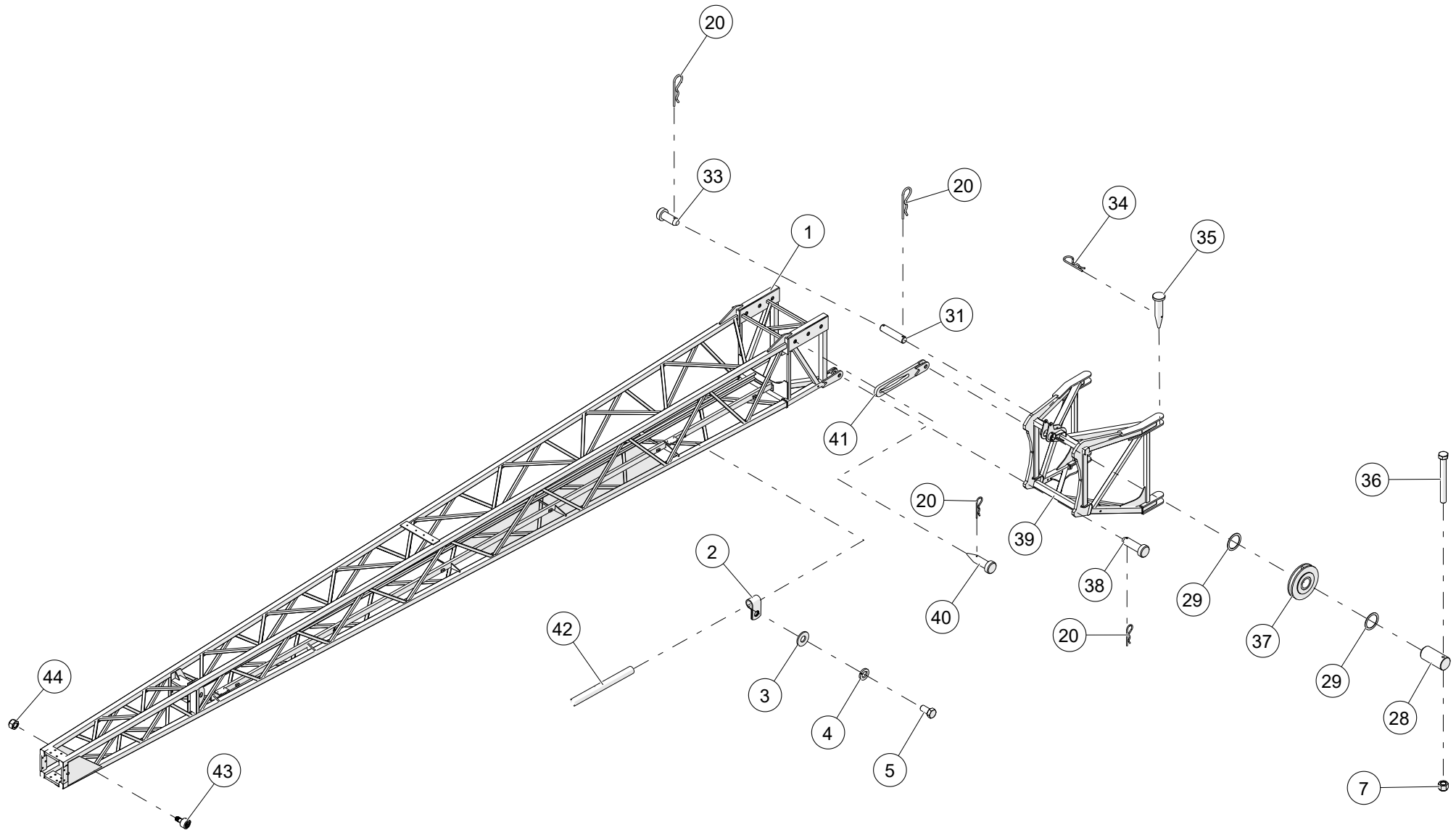


WHEN ORDERING PARTS, SPECIFY MODEL NUMBER, SERIAL NUMBER AND DESCRIPTION OF PARTS REQUIRED

JIB ASSEMBLY, 32'- 49'

ITEM	PART NUMBER	DESCRIPTION	QUANTITY	NOTES
	1036252	JIB ASSEMBLY, 32'- 49'		
24	HHCS-C375A258Z1	HEX HEAD CAP SCREW, 3/8-16 X 1 1/4 LEN, GR8, ZN, FULL THREAD	4	
25	1036253	ROLLER	2	
26	1036256	WELDMENT, BRACKET	1	
27	HHCS-C375C758Z0	HEX HEAD CAP SCREW, 3/8-16 X 3 3/4 LEN, GR8, ZN	1	
28	1036667	ROUND, PIN	2	
29	1036326	SPACER	4	
30	1036324	NYLON SHEAVE	1	
31	38490	PIN	3	

WHEN ORDERING PARTS, SPECIFY MODEL NUMBER, SERIAL NUMBER AND DESCRIPTION OF PARTS REQUIRED



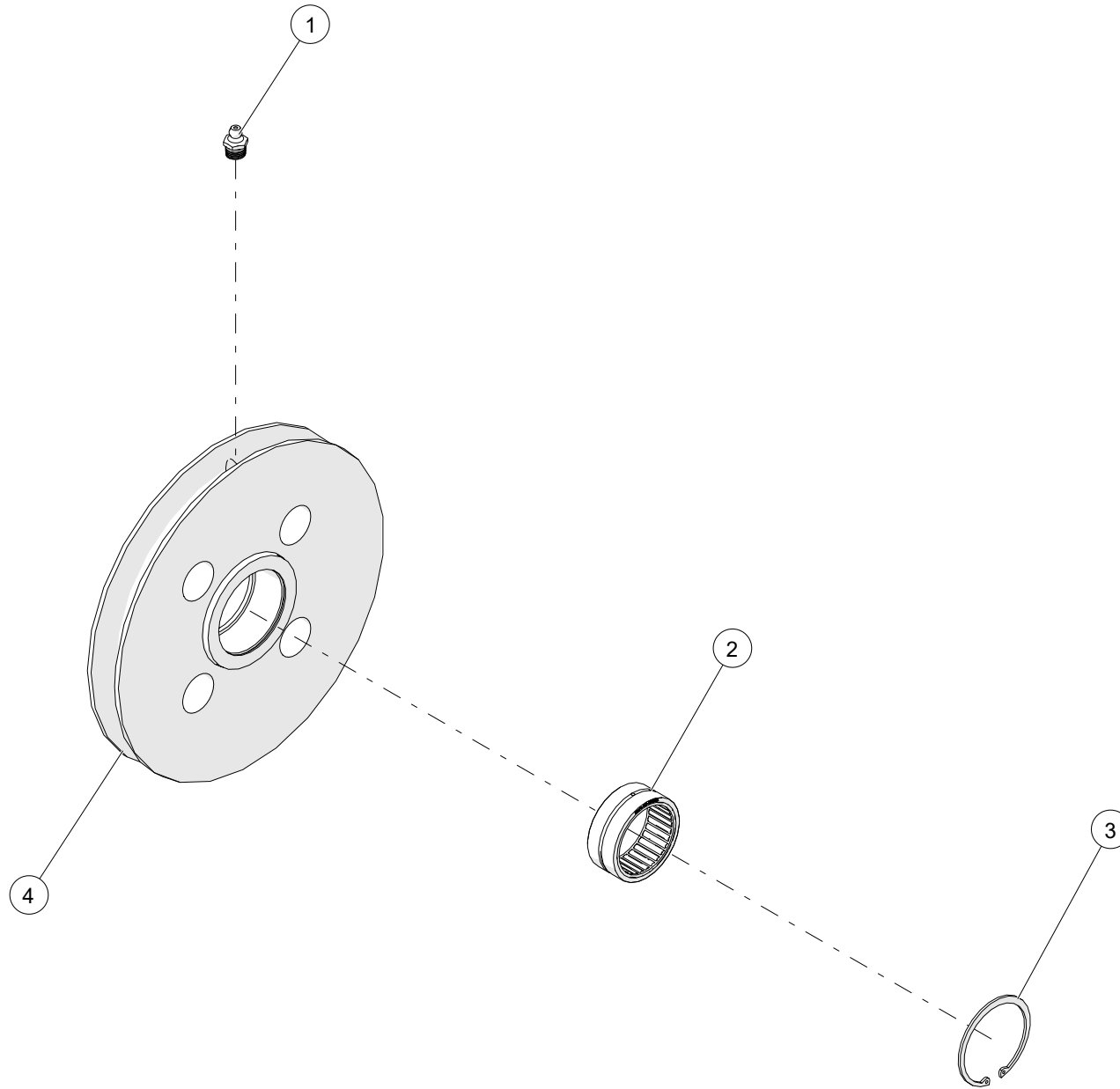
WHEN ORDERING PARTS, SPECIFY MODEL NUMBER, SERIAL NUMBER AND DESCRIPTION OF PARTS REQUIRED

JIB ASSEMBLY, 32' - 49'

ITEM	PART NUMBER	DESCRIPTION	QUANTITY	NOTES
	1036252	JIB ASSEMBLY, 32' - 49'		
32	NUT3-F6250008Z0	NYLON LOCK NUT, 5/8-18, GR8, ZN	2	
33	1036323	ROUND, ADAPTER TO LINK PIN	2	
34	PIN2-X172C75YZ0	HAIRPIN, 11/64 DIA X 3 3/4 LEN, ZINC	15	
35	1036680	ROUND, JIB PIN	4	
36	HHCS-C375C508Z0	HEX HEAD CAP SCREW, 3/8-16 X 3 1/2 LEN, GR8, ZN	1	
37	1036663	SHEAVE, TOP NYLON	1	
38	1036322	ROUND, ADAPTER TO LATTIC PIN	2	
39	1036263	WELDMENT, ADAPTOR FRAME	1	
40	1036255	ROUND, OFFSET PIN	4	
41	1036259	WELDMENT, LINK	2	
42	1036685	TUBE, ATB CABLE 1	1	
43	1036254	ROLLER	2	
44	NUT3-F4380008Z0	NYLON LOCK NUT, 7/16-20, GR8, ZN	2	

WHEN ORDERING PARTS, SPECIFY MODEL NUMBER, SERIAL NUMBER AND DESCRIPTION OF PARTS REQUIRED

NYLON BOOM HEAD SHEAVE 5/8 ASSEMBLY



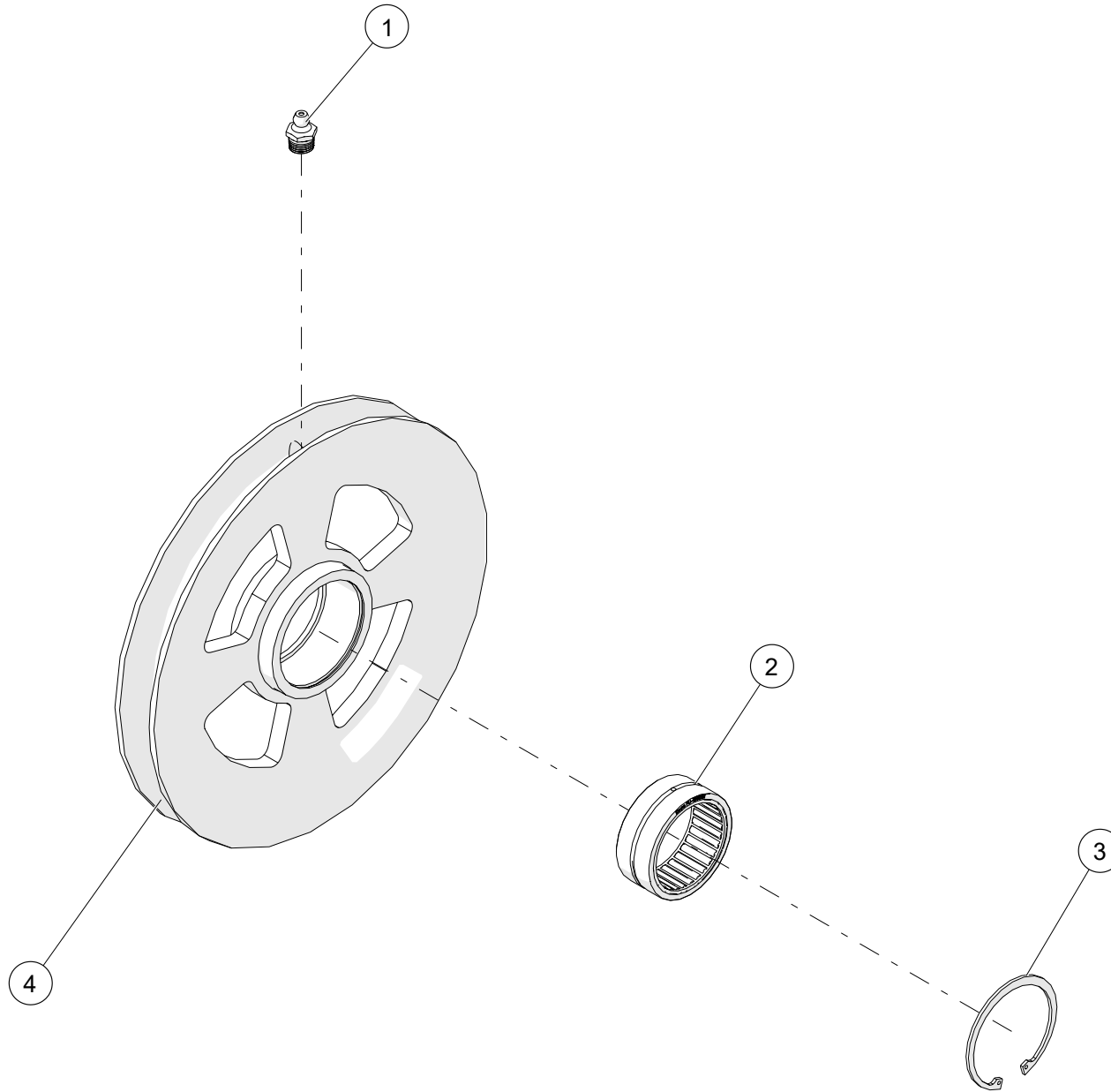
WHEN ORDERING PARTS, SPECIFY MODEL NUMBER, SERIAL NUMBER AND DESCRIPTION OF PARTS REQUIRED

NYLON BOOM HEAD SHEAVE 5/8 ASSEMBLY

ITEM	PART NUMBER	DESCRIPTION	QUANTITY	NOTES
	1035256	NYLON BOOM HEAD SHEAVE 5/8 ASSEMBLY		
1	1004435	GREASE ZERK, STR 1/8 PTF MALE	1	
2	1005430	HEAVY DUTY NEEDLE ROLLER BEARINGS	1	
3	RET2-XC75000M24Z0	INTERNAL RETAINING RING	1	
4	1035254	SHEAVE, BOOM HEAD NYLON 5/8	1	

WHEN ORDERING PARTS, SPECIFY MODEL NUMBER, SERIAL NUMBER AND DESCRIPTION OF PARTS REQUIRED

BOOM HEAD SHEAVE ASSEMBLY



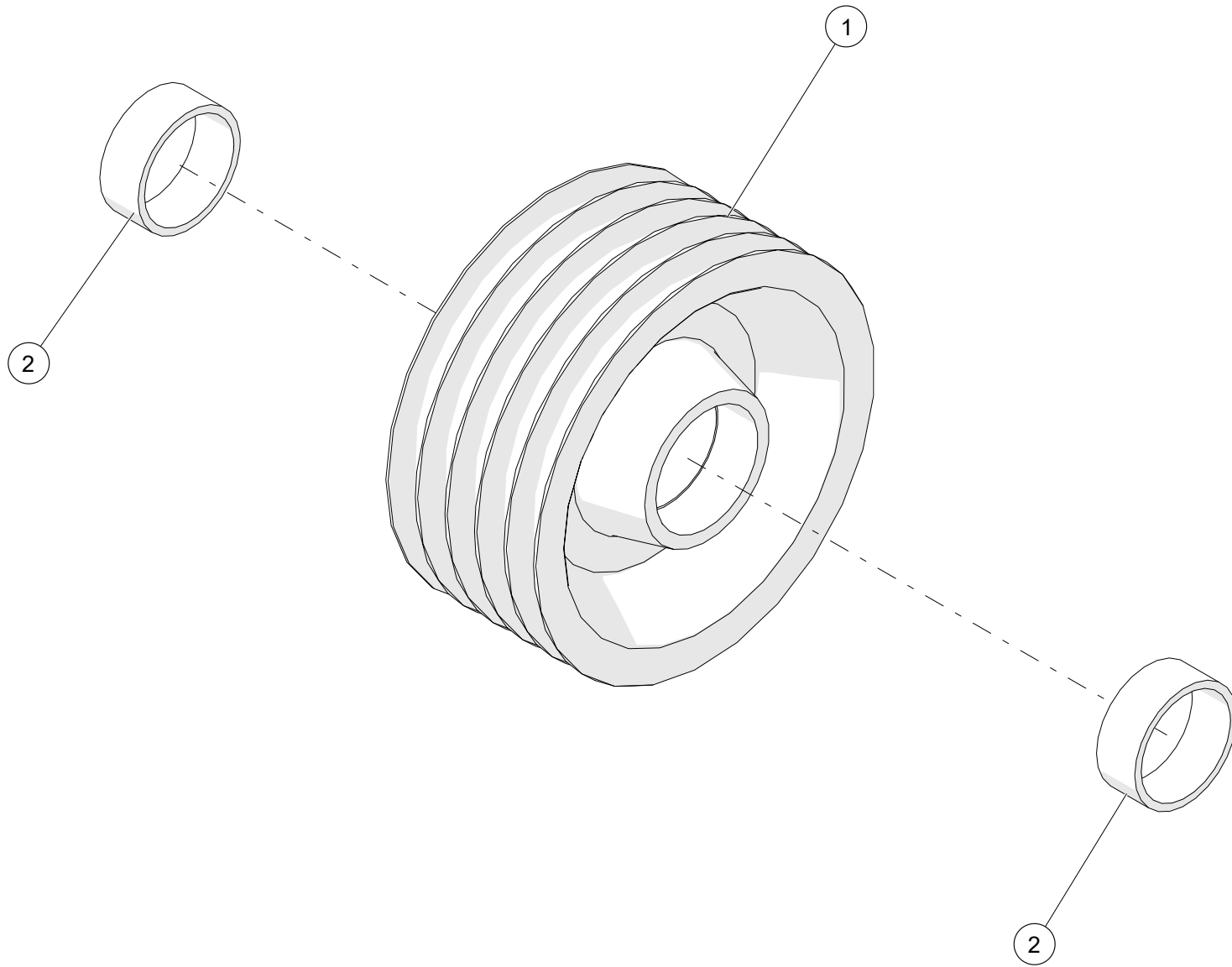
WHEN ORDERING PARTS, SPECIFY MODEL NUMBER, SERIAL NUMBER AND DESCRIPTION OF PARTS REQUIRED

BOOM HEAD SHEAVE ASSEMBLY

ITEM	PART NUMBER	DESCRIPTION	QUANTITY	NOTES
	1029874	BOOM HEAD SHEAVE ASSEMBLY		
1	1004435	GREASE ZERK, STR 1/8 PTF MALE	1	
2	1005430	ROLLER BEARING	1	
3	RET2-XC75000XZ0	RET2-XC75000XZ0	1	
4	1029873	GREASE ZERK, STR 1/8 PTF MALE	1	

WHEN ORDERING PARTS, SPECIFY MODEL NUMBER, SERIAL NUMBER AND DESCRIPTION OF PARTS REQUIRED

WIRE ROPE SHEAVE ASSEMBLY



WHEN ORDERING PARTS, SPECIFY MODEL NUMBER, SERIAL NUMBER AND DESCRIPTION OF PARTS REQUIRED

WIRE ROPE SHEAVE ASSEMBLY

ITEM	PART NUMBER	DESCRIPTION	QUANTITY	NOTES
	1004394	WIRE ROPE SHEAVE ASSEMBLY		
1	1004395	SHEAVE, 7/8 WIRE ROPE	1	
2	1004396	BEARING, 3 1/2 SHAFT GREASELESS"	2	

WHEN ORDERING PARTS, SPECIFY MODEL NUMBER, SERIAL NUMBER AND DESCRIPTION OF PARTS REQUIRED

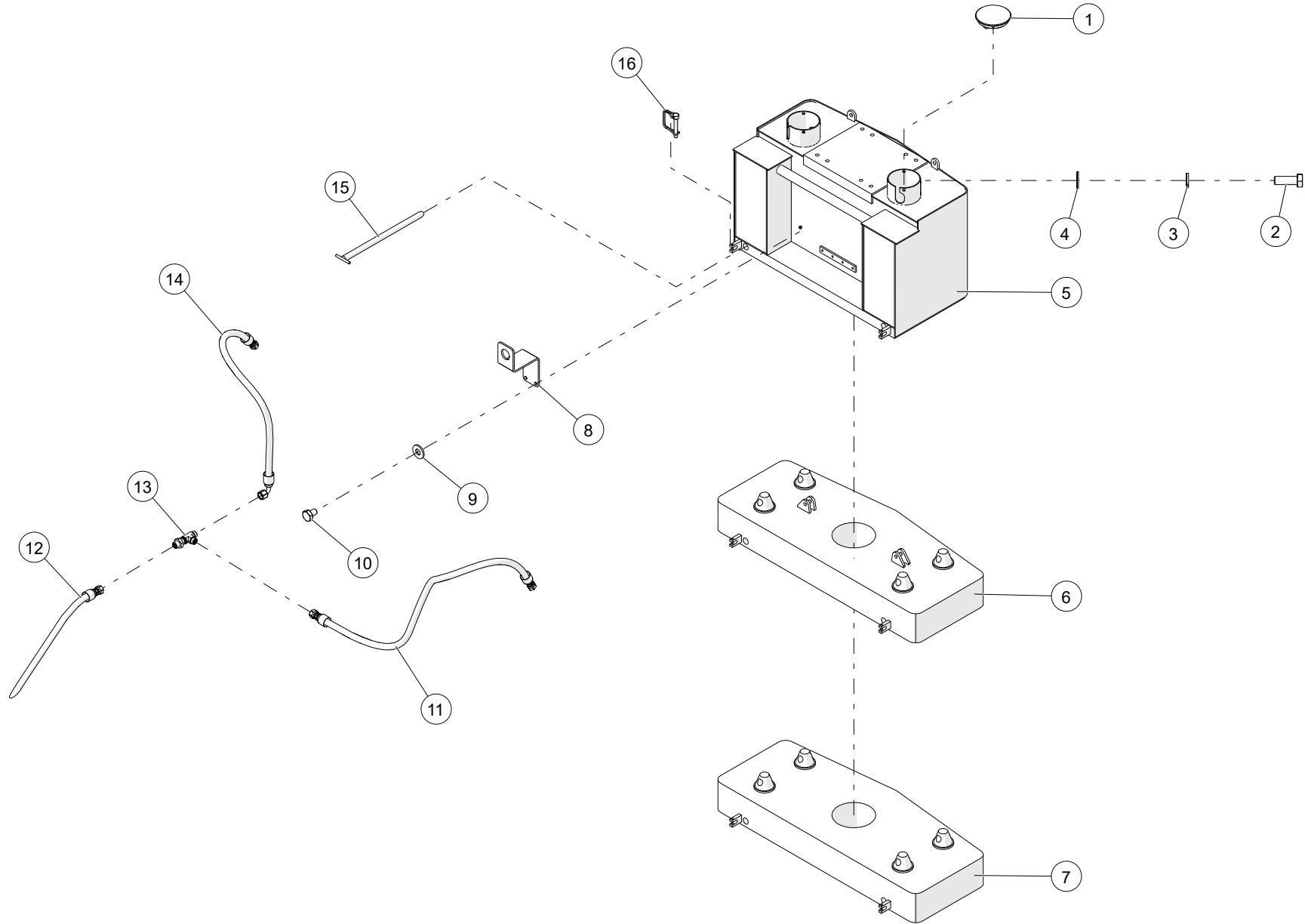
NON - ILLUSTRATED PAGE

WHEN ORDERING PARTS, SPECIFY MODEL NUMBER, SERIAL NUMBER AND DESCRIPTION OF PARTS REQUIRED

PL 180 COUNTERWEIGHT OPTIONS

ITEM	PART NUMBER	DESCRIPTION	QUANTITY	NOTES
	1035229	PL 180 COUNTERWEIGHT OPTIONS		
1	1034831	10,000# COUNTERWEIGHT	1	SEE PAGE 91
2	1034874	4,500# COUNTERWEIGHT	1	SEE PAGE 105
3	1035228	UTILITY CRANE COUNTERWEIGHT	1	SEE PAGE 111
4	1038065	4,500# COUNTERWEIGHT W/O AUX WINCH	1	SEE PAGE 103
5	1038068	10,000# COUNTERWEIGHT INSTALLATION W/O AUX WINCH	1	SEE PAGE 113
6	1039804	AERIAL COUNTERWEIGHT (PL180)	1	SEE PAGE 119

WHEN ORDERING PARTS, SPECIFY MODEL NUMBER, SERIAL NUMBER AND DESCRIPTION OF PARTS REQUIRED

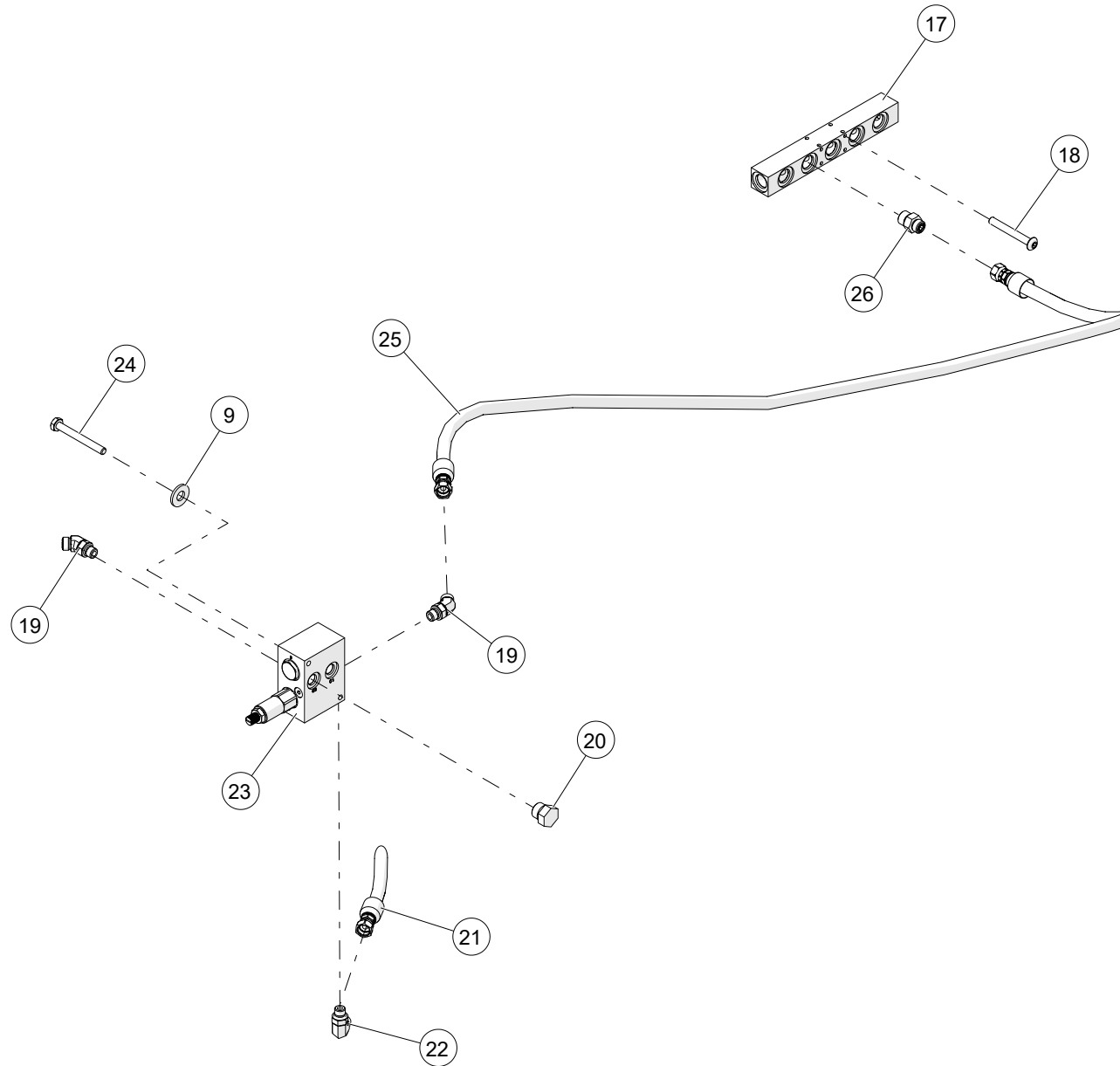


WHEN ORDERING PARTS, SPECIFY MODEL NUMBER, SERIAL NUMBER AND DESCRIPTION OF PARTS REQUIRED

10,000# COUNTERWEIGHT W/AUX WINCH

ITEM	PART NUMBER	DESCRIPTION	QUANTITY	NOTES
	1034831	10,000# COUNTERWEIGHT W/AUX WINCH		
1	1034782	WELDMENT, CAP	2	
2	HHCS-C500A378Z0	HEX HEAD CAP SCREW, 1/2-13 X 1 3/8 LEN, GR8, ZN	8	
3	WSH4-X5000008Z0	SPIRAL LOCK WASHER, 1/2, GR8, ZN	8	
4	WSH2-X5000008Z0	SAE WASHER, 1/2, GR8, ZN	8	
5	1034832	WELDMENT, 4500LB COUNTERWEIGHT	1	
6	1034842	WELDMENT, HEAVYWEIGHT SLAB TOP	1	
7	1034876	WELDMENT, HEAVYWEIGHT SLAB BOTTOM	1	
8	1026396	BULKHEAD T-BRACKET	1	
9	WSH2-X2500008Z0	SAE WASHER, 1/4, GR8, ZN	4	
10	HHCS-C2503758Z0	HEX HEAD CAP SCREW, 1/4-20 X 3/8 LEN, GR8, ZN	2	
11	1027933	HOSE,-6, 3000,FOFS-6SW/FOFS-6SW, 43.5	1	
12	1027886	HOSE, -6, 3000, FOFS-6SW / 90FOFS-6SW, 116.75	1	
13	1017985	TEE, MOFS-6BH/MOFS-6/MOFS-6	1	
14	1027936	HOSE, -6, 3000, 90FOFS-6SW/FOFS-6SW,33.0	1	
15	1034810	PIN, COUNTERWEIGHT WELD	4	
16	PIN7-X375A87XZ0	LOCK PIN WITH SQUARE RETAINER, 3/8 DIA X 1 7/8 LEN, ZINC	4	

WHEN ORDERING PARTS, SPECIFY MODEL NUMBER, SERIAL NUMBER AND DESCRIPTION OF PARTS REQUIRED



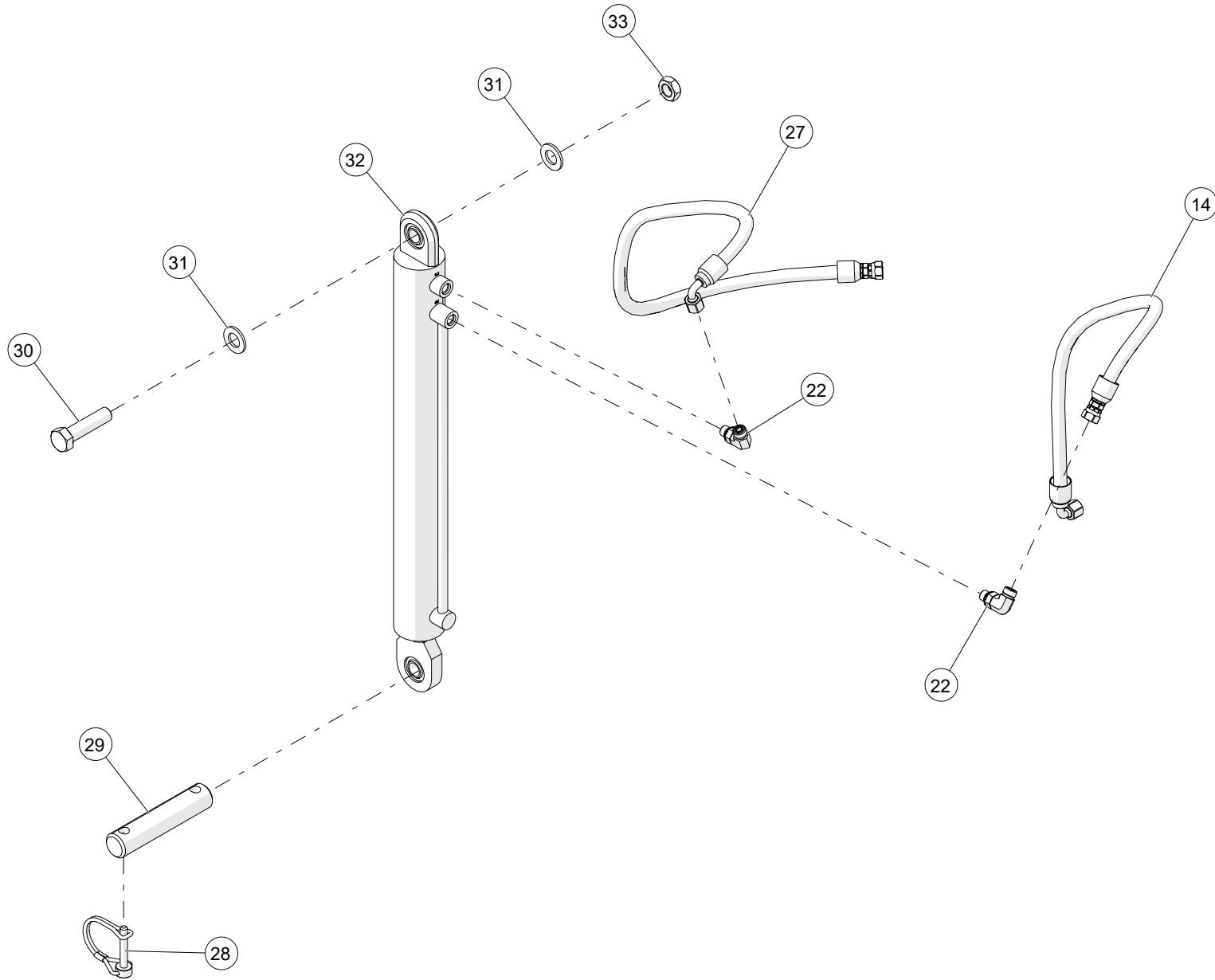
WHEN ORDERING PARTS, SPECIFY MODEL NUMBER, SERIAL NUMBER AND DESCRIPTION OF PARTS REQUIRED

10,000# COUNTERWEIGHT W/AUX WINCH

ITEM	PART NUMBER	DESCRIPTION	QUANTITY	NOTES
	1034831	10,000# COUNTERWEIGHT W/AUX WINCH		
17	T132014	MANIFOLD	1	
18	1027289	CAP SCREW, 10-24 X 40, ZINC	4	
19	1016188	ELBOW, 45, MOFS-6/MORB-6	3	
20	1019667	PLUG, HEX, ORB-6	2	
21	1027889	HOSE, -6, 3000, FOFS-6SW / 90FOFS-6SW, 106.0	1	
22	1014001	ELBOW, 90, MOFS-6/MORB-6	5	
23	1008279	C'WGT FLOW DIVIDER, 80160	1	
24	HHCS-C250B258Z0	HEX HEAD CAP SCREW, 1/4-20 X 2 1/4 LEN, GR8, ZN	2	
25	1027887	HOSE, -6, 300, FOFS-6SW/FOFS-6SW, 85.0	1	
26	1010073	ADAPTER, MOFS-6/MORB-8	1	

WHEN ORDERING PARTS, SPECIFY MODEL NUMBER, SERIAL NUMBER AND DESCRIPTION OF PARTS REQUIRED

10,000# COUNTERWEIGHT W/AUX WINCH



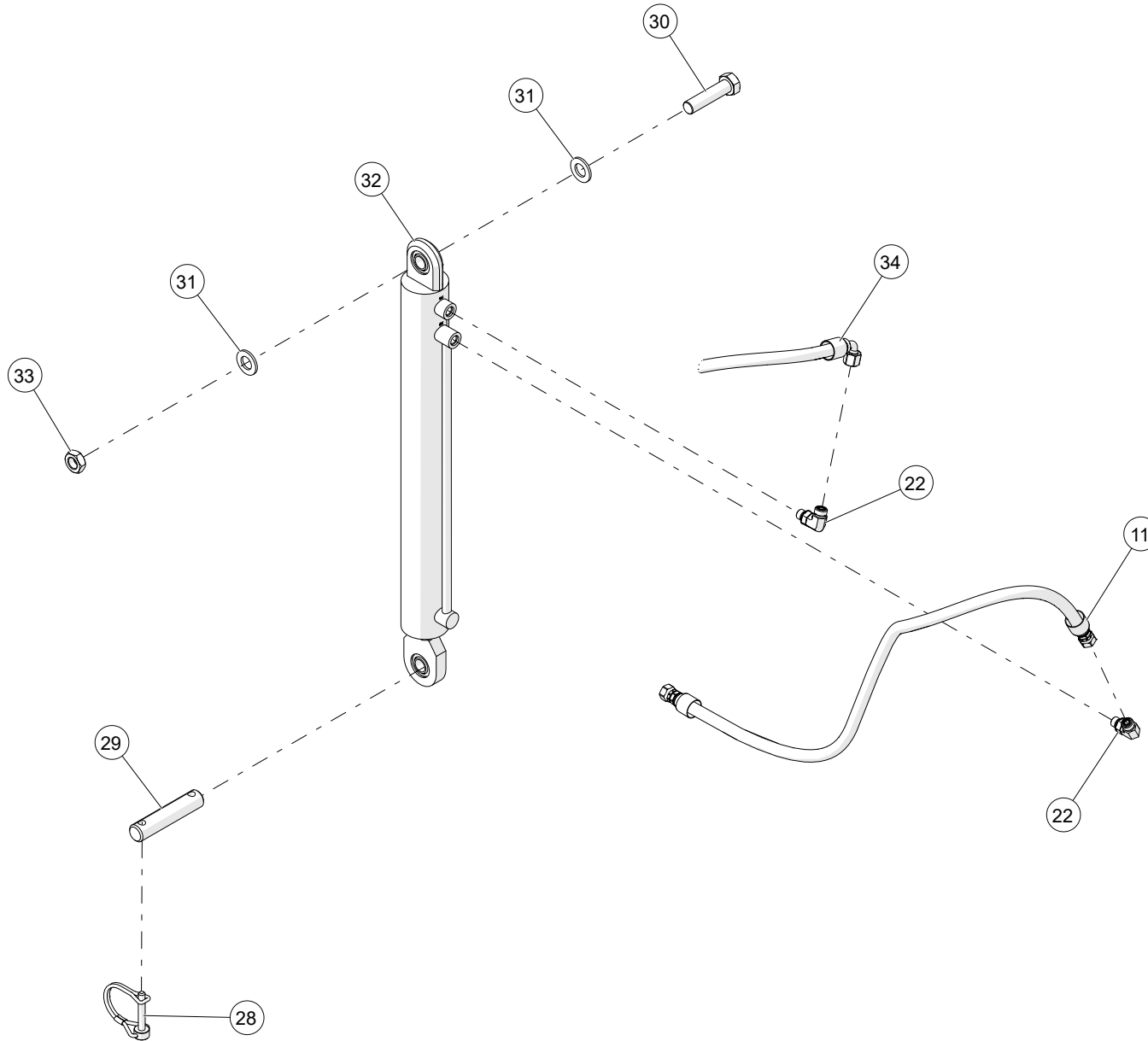
WHEN ORDERING PARTS, SPECIFY MODEL NUMBER, SERIAL NUMBER AND DESCRIPTION OF PARTS REQUIRED

10,000# COUNTERWEIGHT W/AUX WINCH

ITEM	PART NUMBER	DESCRIPTION	QUANTITY	NOTES
	1034831	10,000# COUNTERWEIGHT W/AUX WINCH		
27	1027935	HOSE, -6, 3000, 90FOFS-6SW/FOFS-6SW, 39.0	1	
28	PIN4-X250A12XZ0	LOCK PIN WITH ROUNDED RETAINER, 1/4 DIA X 1 1/8 LEN, ZINC	4	
29	1034937	PIN, COUNTERWEIGHT REMOVAL	2	
30	HHCS-F750C008M0	HEX HEAD CAP SCREW, 3/4-16 X 3 LEN, GR8, MA	2	
31	WSH2-X7500008Z0	SAE WASHER, 3/4, GR8, ZN	28	
32	1034844	CYLINDER, COUNTERWEIGHT REMOVAL	2	
33	NUT2-C7500008M0	HEX JAM NUT, 3/4-10, GR8, MA	2	

WHEN ORDERING PARTS, SPECIFY MODEL NUMBER, SERIAL NUMBER AND DESCRIPTION OF PARTS REQUIRED

10,000# COUNTERWEIGHT W/AUX WINCH



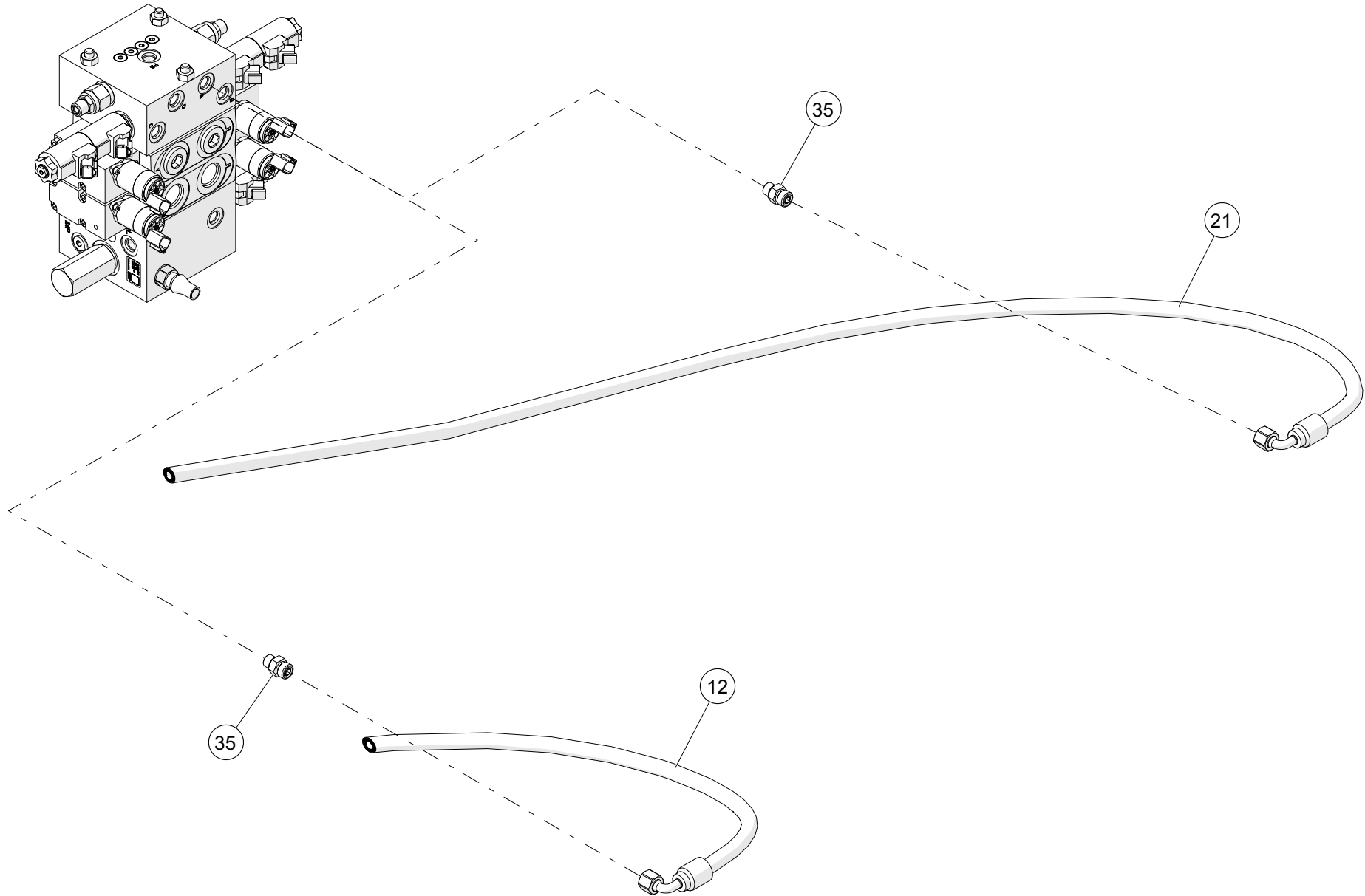
WHEN ORDERING PARTS, SPECIFY MODEL NUMBER, SERIAL NUMBER AND DESCRIPTION OF PARTS REQUIRED

10,000# COUNTERWEIGHT W/AUX WINCH

ITEM	PART NUMBER	DESCRIPTION	QUANTITY	NOTES
	1034831	10,000# COUNTERWEIGHT W/AUX WINCH		
34	1027934	HOSE, -6,3000, 90FOFS-6SW/FOFS-6SW, 45.5	1	

WHEN ORDERING PARTS, SPECIFY MODEL NUMBER, SERIAL NUMBER AND DESCRIPTION OF PARTS REQUIRED

10,000# COUNTERWEIGHT W/AUX WINCH



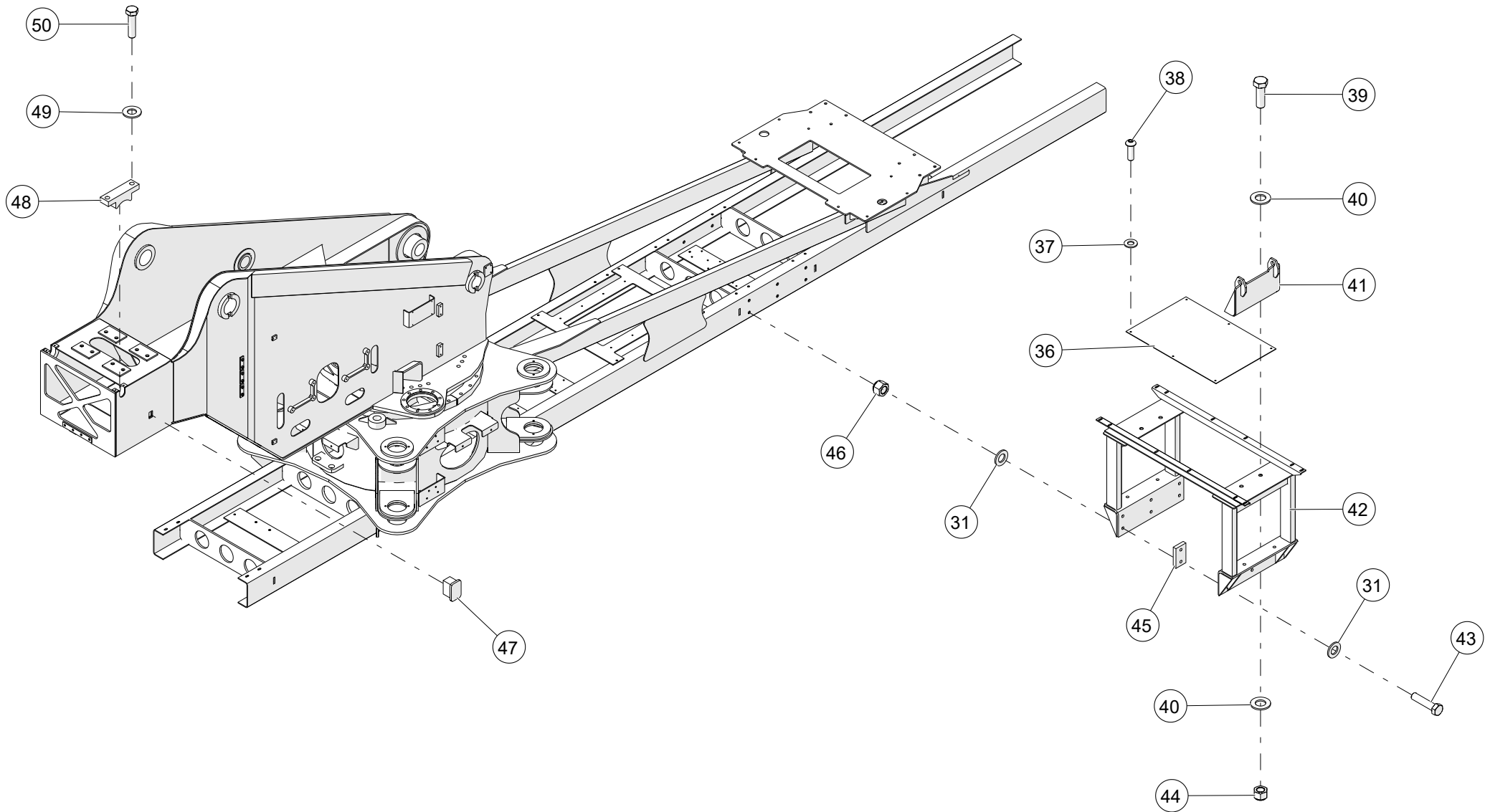
WHEN ORDERING PARTS, SPECIFY MODEL NUMBER, SERIAL NUMBER AND DESCRIPTION OF PARTS REQUIRED

10,000# COUNTERWEIGHT W/AUX WINCH

ITEM	PART NUMBER	DESCRIPTION	QUANTITY	NOTES
	1034831	10,000# COUNTERWEIGHT W/AUX WINCH		
35	1010071	ADAPTER, MOFS-6/MORB-6	2	

WHEN ORDERING PARTS, SPECIFY MODEL NUMBER, SERIAL NUMBER AND DESCRIPTION OF PARTS REQUIRED

10,000# COUNTERWEIGHT W/AUX WINCH

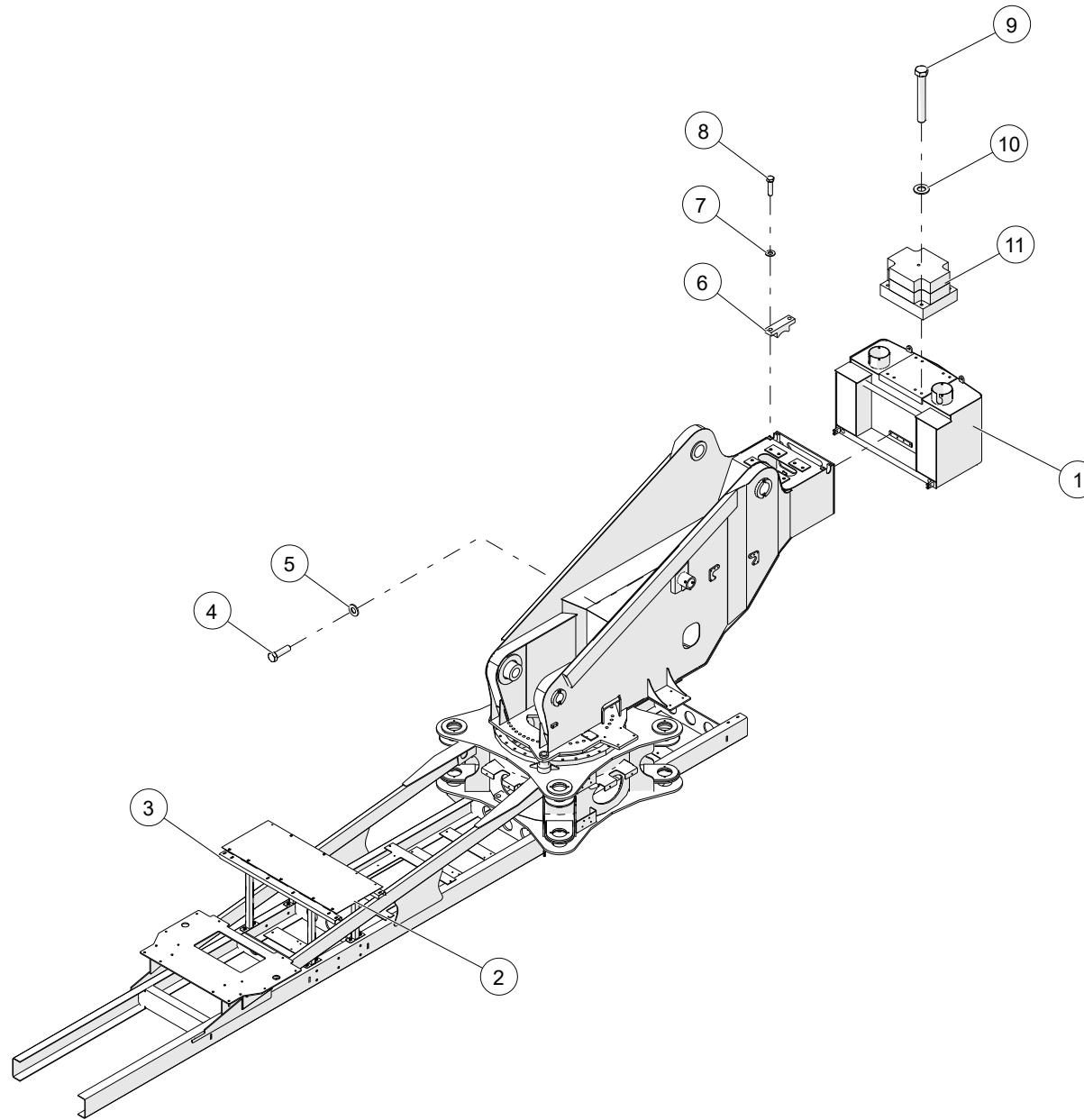


WHEN ORDERING PARTS, SPECIFY MODEL NUMBER, SERIAL NUMBER AND DESCRIPTION OF PARTS REQUIRED

10,000# COUNTERWEIGHT W/AUX WINCH

ITEM	PART NUMBER	DESCRIPTION	QUANTITY	NOTES
	1034831	10,000# COUNTERWEIGHT W/AUX WINCH		
36	T113212	PANEL ASSY, COVER- CTWT	1	
37	WSH2-X3130008Z0	SAE WASHER, 5/16, GR8, ZN	6	
38	SH03-C313A00BB0	SHCS BUTTON HEAD, 5/16-18 X 1 LEN, BO	6	
39	HHCS-C875B758M0	HEX HEAD CAP SCREW, 7/8-9 X 2 3/4 LEN, GR8, MA	4	
40	WSH2-X8750008Z0	SAE WASHER, 7/8, GR8, ZN	8	
41	1029862	CTWT MOUNT	2	
42	1034799	WELDMENT, COUNTERWEIGHT RACK	1	
43	HHCS-C750C258R0	HEX HEAD CAP SCREW, 3/4-10 X 3 1/4 LEN, GR8, NF	12	
44	NUT3-C8750008M0	NYLON LOCK NUT, 7/8-9, GR8, MA	4	
45	T117460	SPACER, COUNTERWEIGHT RACK MOUNTING	6	
46	NUT3-C7500008Z0	NYLON LOCK NUT, 3/4-10, GR8, ZN	12	
47	1223-1013	COUNTERWEIGHT REMOVAL SWITCH	1	
48	1039315	PLATE, TOP STOP	2	
49	WSH2-X3750008Z0	SAE WASHER, 3/8, GR8, ZN	4	
50	HHCS-C375A508Z0	HEX HEAD CAP SCREW, 3/8-16 X 1 1/2 LEN, GR8, ZN	4	

WHEN ORDERING PARTS, SPECIFY MODEL NUMBER, SERIAL NUMBER AND DESCRIPTION OF PARTS REQUIRED

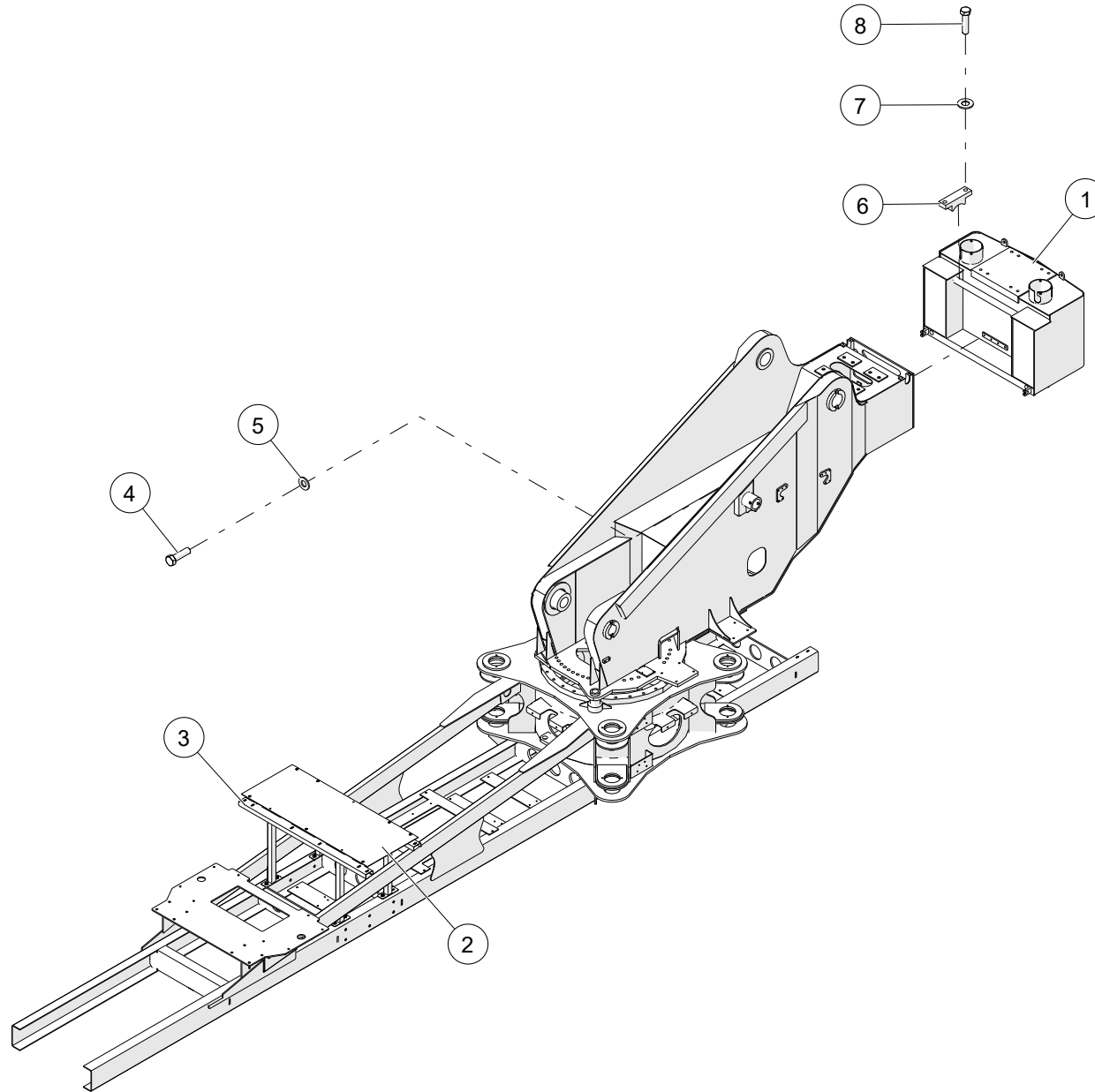


WHEN ORDERING PARTS, SPECIFY MODEL NUMBER, SERIAL NUMBER AND DESCRIPTION OF PARTS REQUIRED

4,500# COUNTERWEIGHT W/O AUX WINCH

ITEM	PART NUMBER	DESCRIPTION	QUANTITY	NOTES
	1038065	4,500# COUNTERWEIGHT W/O AUX WINCH		
1	1034832	WELDMENT, 4500LB COUNTERWEIGHT	1	
2	1034943	PANEL ASSY, COVER- CTWT	1	SEE PAGE 107
3	1034863	WELDMENT, DECKING NON-HL	2	
4	HHCS-C500A758Z0	HEX HEAD CAP SCREW, 1/2-13 X 1 3/4 LEN, GR8, ZN	4	
5	WSH2-X8750008Z0	SAE WASHER, 7/8, GR8, ZN	4	
6	1039315	PLATE, TOP STOP	2	
7	WSH2-X3750008Z0	SAE WASHER, 3/8, GR8, ZN	4	
8	HHCS-C375A508Z0	HEX HEAD CAP SCREW, 3/8-16 X 1 1/2 LEN, GR8, ZN	4	
9	HHCS-C875F508M0	HEX HEAD CAP SCREW, 7/8-9 X 6 1/2 LEN, GR8, MA	4	
10	WSH2-X5000008Z0	SAE WASHER, 1/2, GR8, ZN	4	
11	1037712	SLAB WELDMENT	1	

WHEN ORDERING PARTS, SPECIFY MODEL NUMBER, SERIAL NUMBER AND DESCRIPTION OF PARTS REQUIRED

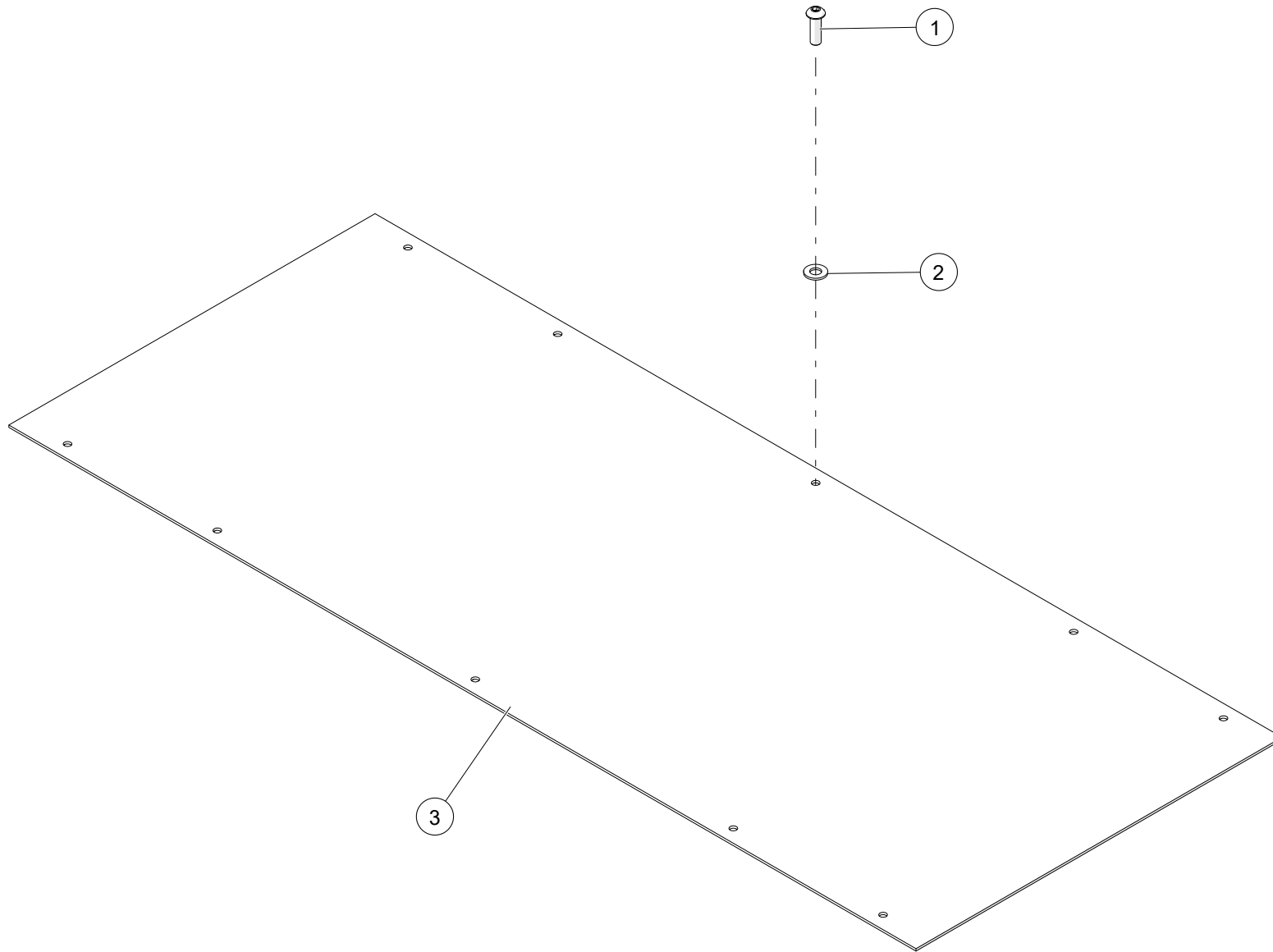


WHEN ORDERING PARTS, SPECIFY MODEL NUMBER, SERIAL NUMBER AND DESCRIPTION OF PARTS REQUIRED

4,500# COUNTERWEIGHT

ITEM	PART NUMBER	DESCRIPTION	QUANTITY	NOTES
	1034874	4,500# COUNTERWEIGHT		
1	1034832	WELDMENT, 4500LB COUNTERWEIGHT	1	
2	1034943	PANEL ASSY, COVER- CTWT	1	SEE PAGE 107
3	1034863	WELDMENT, DECKING NON-HL	2	SEE PAGE 109
4	HHCS-C500A758Z0	HEX HEAD CAP SCREW, 1/2-13 X 1 3/4 LEN, GR8, ZN	4	
5	WSH2-X5000008Z0	SAE WASHER, 1/2, GR8, ZN	16	
6	1039315	PLATE, TOP STOP	2	
7	WSH2-X3750008Z0	SAE WASHER, 3/8, GR8, ZN	4	
8	HHCS-C375A508Z0	HEX HEAD CAP SCREW, 3/8-16 X 1 1/2 LEN, GR8, ZN	4	

WHEN ORDERING PARTS, SPECIFY MODEL NUMBER, SERIAL NUMBER AND DESCRIPTION OF PARTS REQUIRED

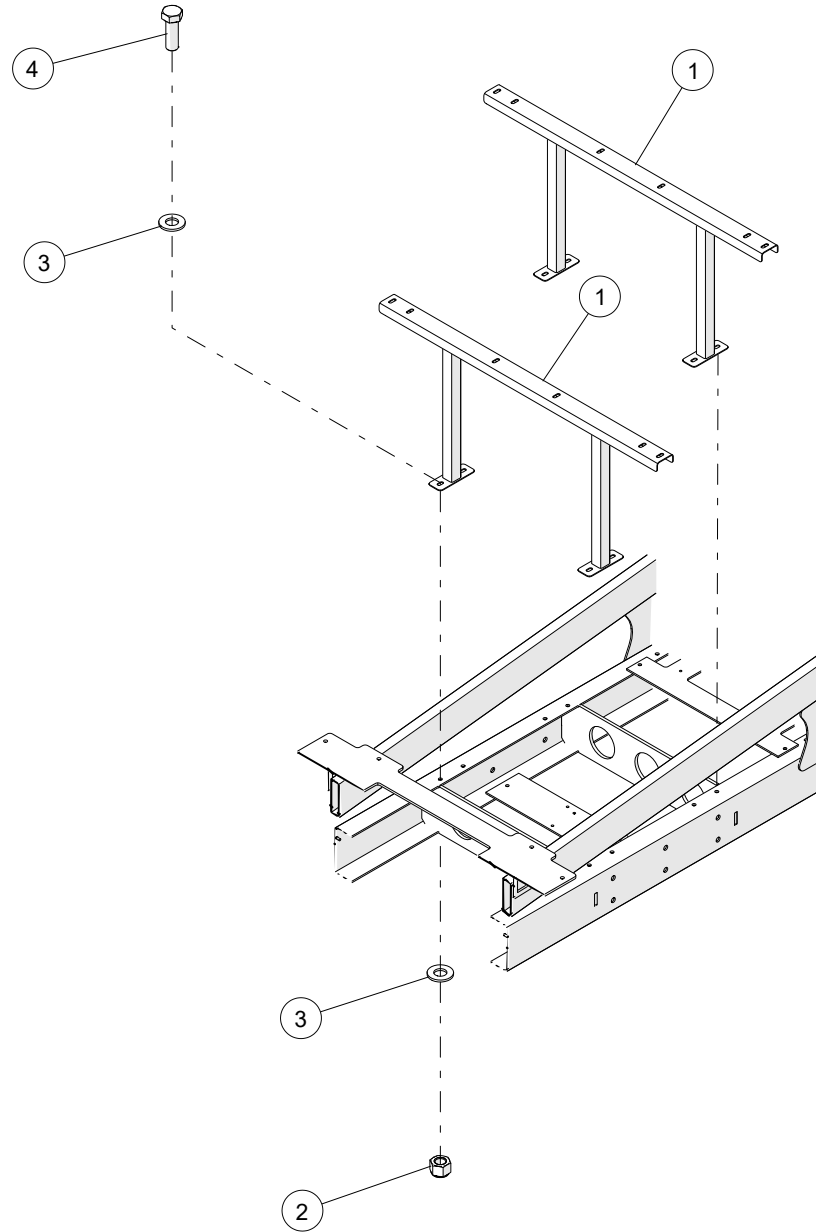


WHEN ORDERING PARTS, SPECIFY MODEL NUMBER, SERIAL NUMBER AND DESCRIPTION OF PARTS REQUIRED

PANEL ASSY, COVER- CTWT

ITEM	PART NUMBER	DESCRIPTION	QUANTITY	NOTES
	1034943	PANEL ASSY, COVER- CTWT		
1	SH03-F313A00BB0	SHCS BUTTON HEAD, 5/16-24 X 1 LEN, BO	10	
2	WSH2-X3130008Z0	SAE WASHER, 5/16, GR8, ZN	10	
3	1034943	PANEL ASSY, COVER- CTWT	1	SEE PAGE 107

WHEN ORDERING PARTS, SPECIFY MODEL NUMBER, SERIAL NUMBER AND DESCRIPTION OF PARTS REQUIRED

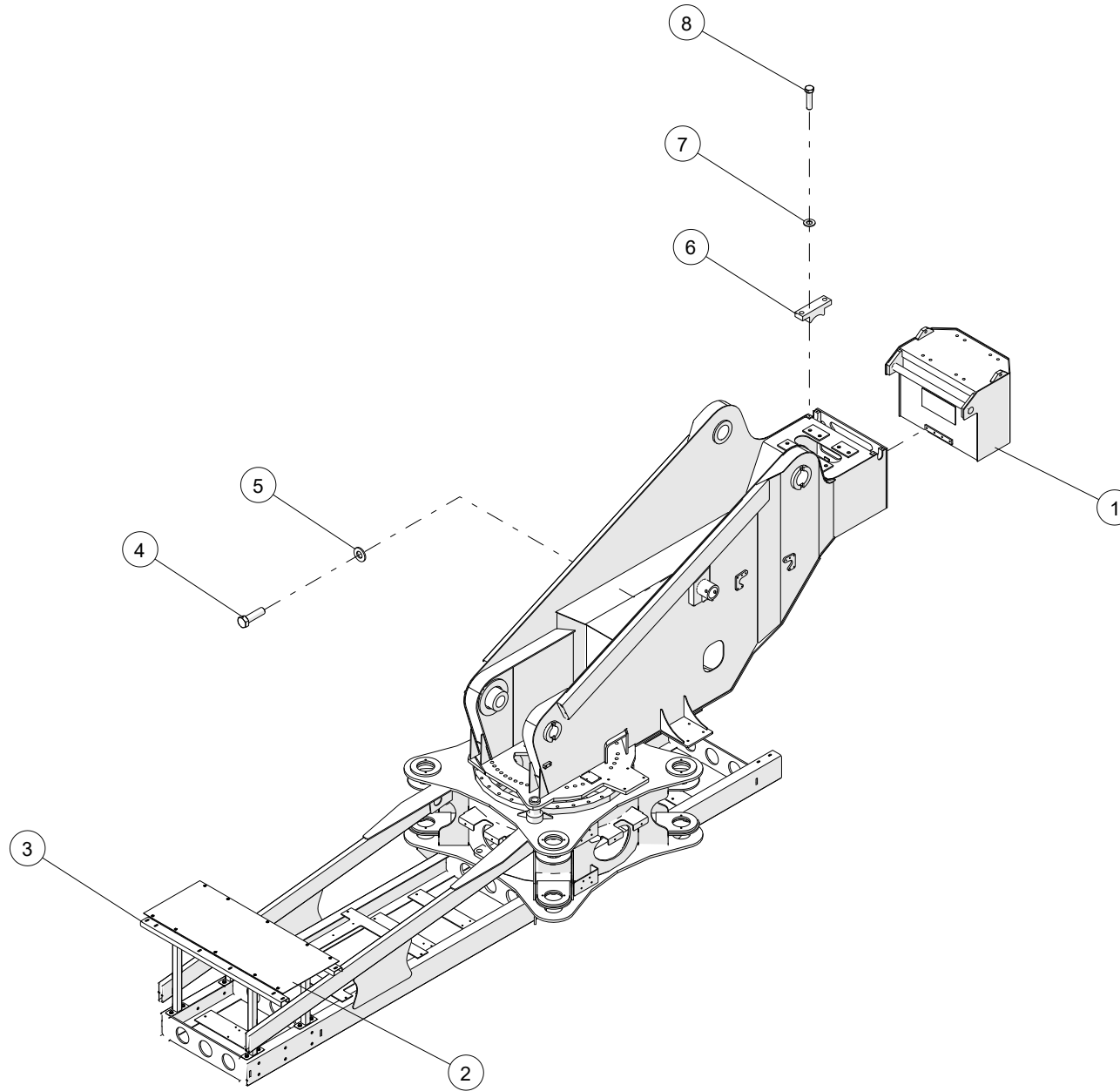


WHEN ORDERING PARTS, SPECIFY MODEL NUMBER, SERIAL NUMBER AND DESCRIPTION OF PARTS REQUIRED

WELDMENT, DECKING NON-HL

ITEM	PART NUMBER	DESCRIPTION	QUANTITY	NOTES
	1034863	WELDMENT, DECKING NON-HL		
1	1034863	WELDMENT, DECKING NON-HL	2	SEE PAGES 109
2	NUT3-C5000008Z0	NYLON LOCK NUT, 1/2-13, GR8, ZN	8	
3	WSH2-X5000008Z0	SAE WASHER, 1/2, GR8, ZN	16	
4	HHCS-C500A508Z0	HEX HEAD CAP SCREW, 1/2-13 X 1 1/2 LEN, GR8, ZN	8	

WHEN ORDERING PARTS, SPECIFY MODEL NUMBER, SERIAL NUMBER AND DESCRIPTION OF PARTS REQUIRED



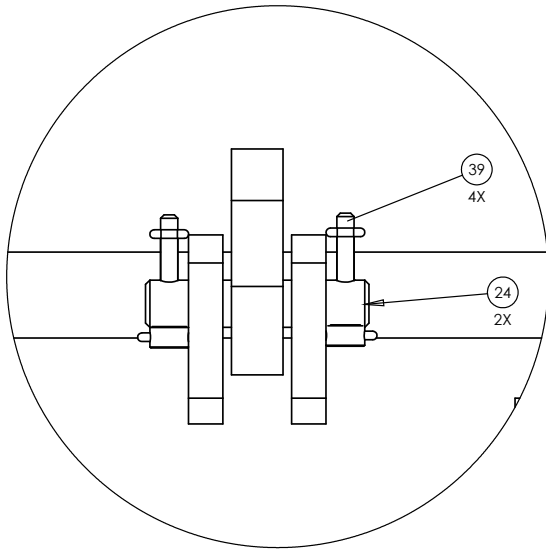
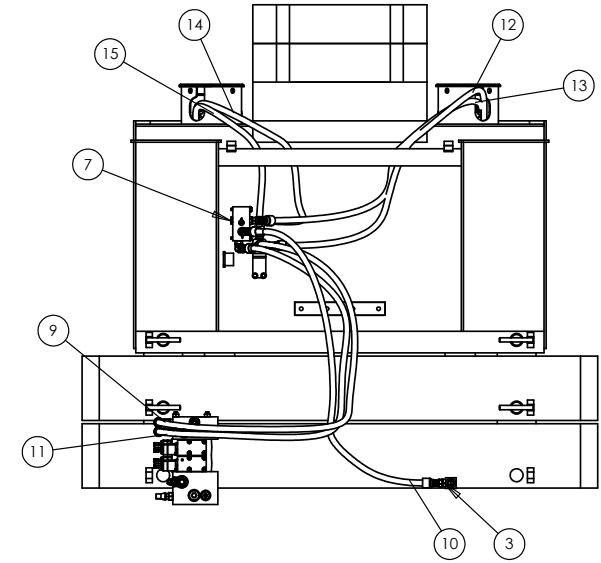
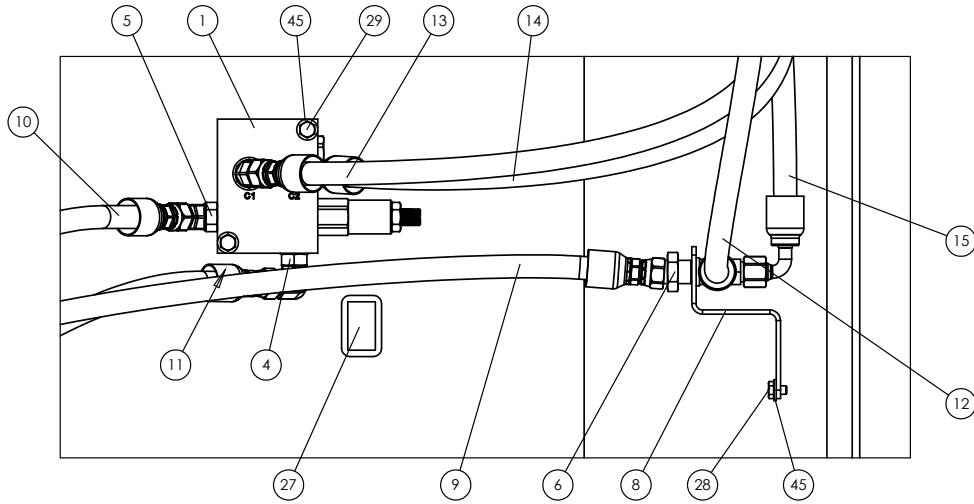
WHEN ORDERING PARTS, SPECIFY MODEL NUMBER, SERIAL NUMBER AND DESCRIPTION OF PARTS REQUIRED

UTILITY CRANE COUNTERWEIGHT

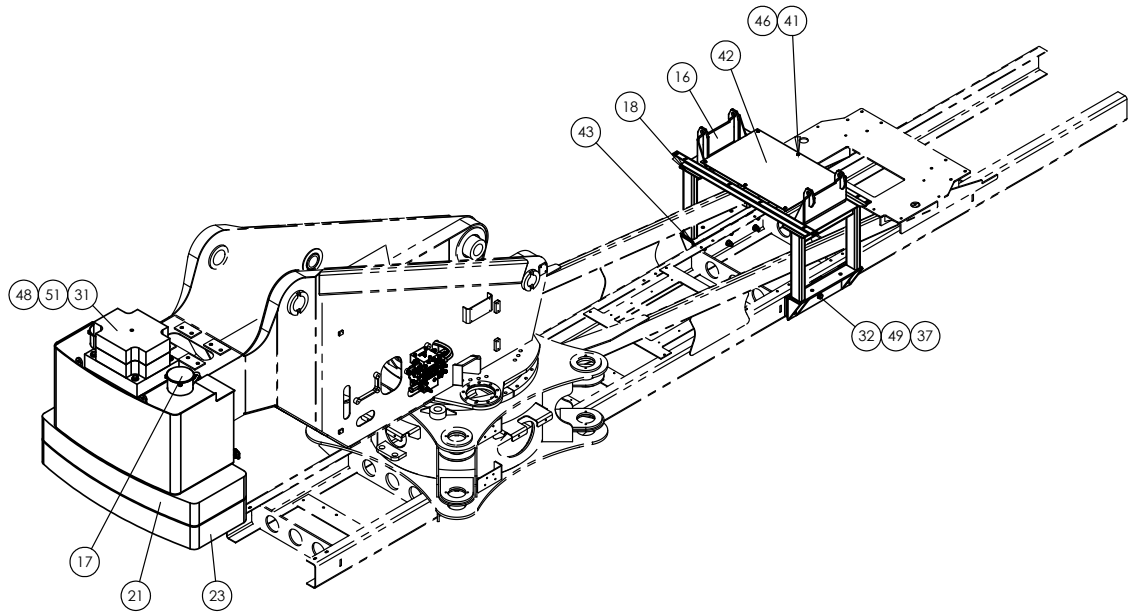
ITEM	PART NUMBER	DESCRIPTION	QUANTITY	NOTES
	1035228	UTILITY CRANE COUNTERWEIGHT		
1	1039308	WELDMENT, 1500 LB COUNTERWEIGHT	1	
2	1034943	PANEL ASSY, COVER- CTWT	1	SEE PAGES 107
3	1034863	WELDMENT, DECKING NON-HL	2	SEE PAGES 109
4	HHCS-C500A758Z0	HEX HEAD CAP SCREW, 1/2-13 X 1 3/4 LEN, GR8, ZN	4	
5	WSH2-X5000008Z0	SAE WASHER, 1/2, GR8, ZN	4	
6	1039315	PLATE, TOP STOP	2	
7	WSH2-X3750008Z0	AE WASHER, 3/8, GR8, ZN	4	
8	HHCS-C375A508Z0	HEX HEAD CAP SCREW, 3/8-16 X 1 1/2 LEN, GR8, ZN	4	

WHEN ORDERING PARTS, SPECIFY MODEL NUMBER, SERIAL NUMBER AND DESCRIPTION OF PARTS REQUIRED

HEAVYLIFT INSTALLATION W/O AUX WINCH



DETAIL A



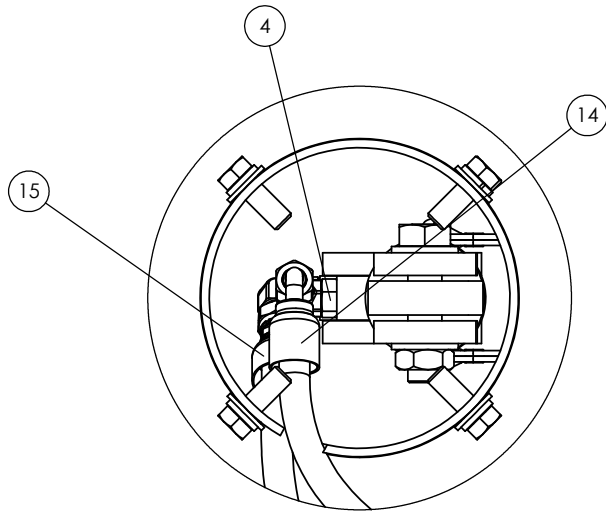
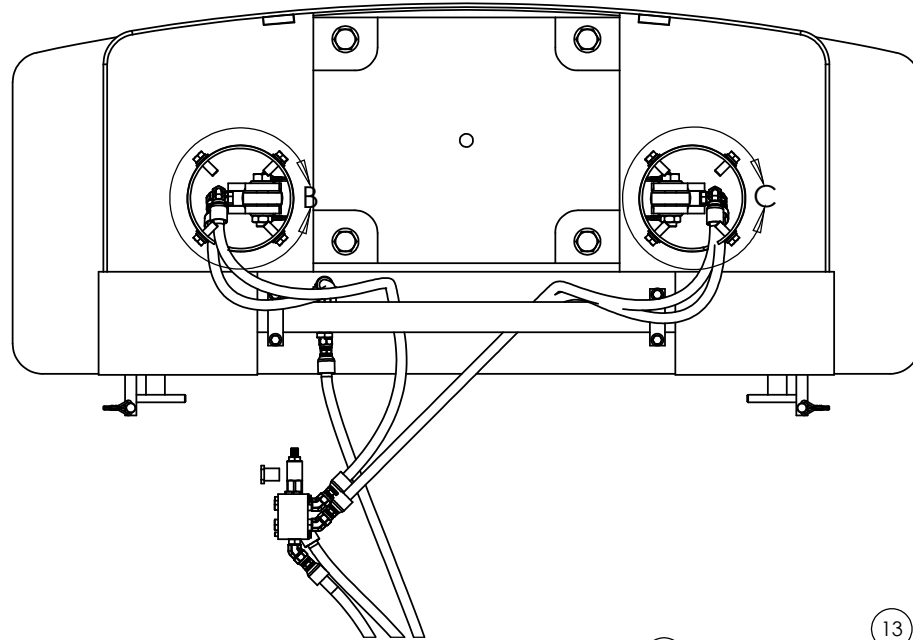
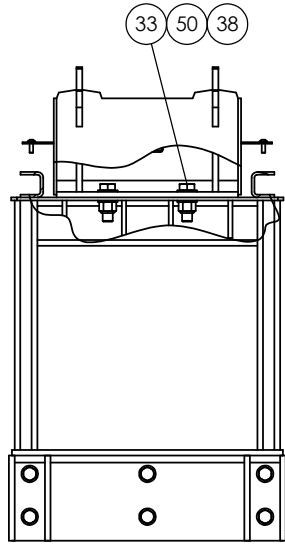
WHEN ORDERING PARTS, SPECIFY MODEL NUMBER, SERIAL NUMBER AND DESCRIPTION OF PARTS REQUIRED

HEAVYLIFT INSTALLATION W/O AUX WINCH

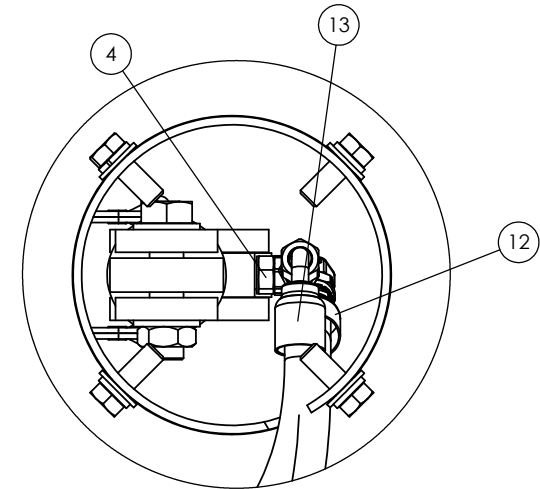
ITEM	PART NUMBER	DESCRIPTION	QUANTITY	NOTES
	1038068	HEAVYLIFT INSTALLATION W/O AUX WINCH		
1	1008279	C'WGT FLOW DIVIDER, 80160	1	
2	1010071	ADAPTER, MOFS-6/MORB-6	2	
3	1010073	ADAPTER, MOFS-6/MORB-8	1	
4	1014001	ELBOW, 90, MOFS-6/MORB-6	5	
5	1016188	ELBOW, 45, MOFS-6/MORB-6	3	
6	1017985	TEE, MOFS-6BH/MOFS-6/MOFS-6	1	
7	1019667	PLUG, HEX, ORB-6	2	
8	1026396	BULKHEAD T-BRACKET	1	
9	1027886	HOSE, -6, 3000, FOFS-6SW / 90FOFS-6SW, 116.75	1	
10	1027887	HOSE, -6, 300, FOFS-6SW/FOFS-6SW, 85.0	1	
11	1027889	HOSE, -6, 3000, FOFS-6SW / 90FOFS-6SW, 106.0	1	
12	1027933	HOSE, -6, 3000, FOFS-6SW/FOFS-6SW, 43.5	1	
13	1027934	HOSE, -6, 3000, 90FOFS-6SW/FOFS-6SW, 45.5	1	
14	1027935	HOSE, -6, 3000, 90FOFS-6SW/FOFS-6SW, 39.0	1	
15	1027936	HOSE, -6, 3000, 90FOFS-6SW/FOFS-6SW, 33.0	1	
16	1029862	CTWT MOUNT	2	
17	1034782	WELDMENT, CAP	3	

WHEN ORDERING PARTS, SPECIFY MODEL NUMBER, SERIAL NUMBER AND DESCRIPTION OF PARTS REQUIRED

HEAVYLIFT INSTALLATION W/O AUX WINCH



DETAIL B



DETAIL C

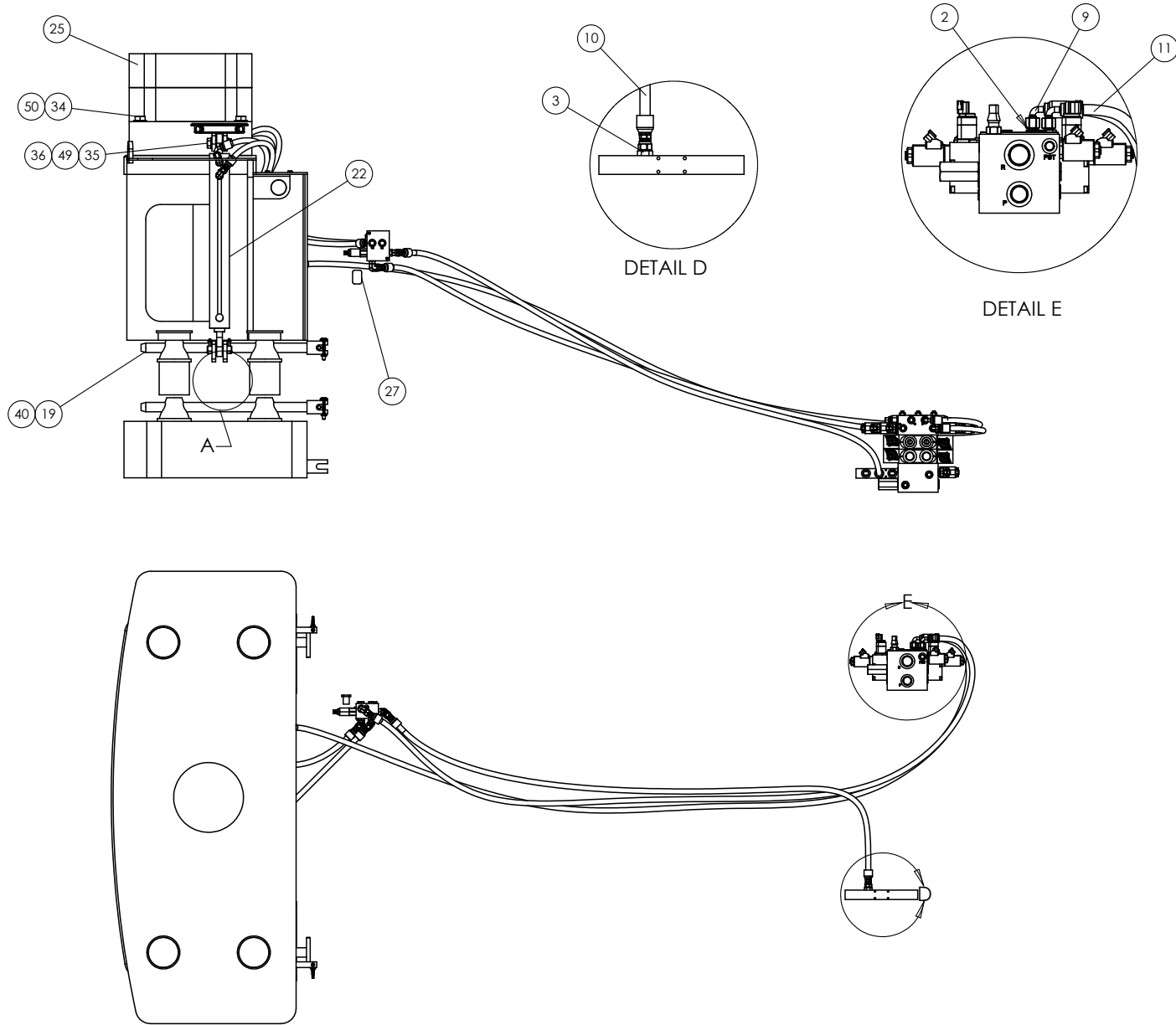
WHEN ORDERING PARTS, SPECIFY MODEL NUMBER, SERIAL NUMBER AND DESCRIPTION OF PARTS REQUIRED

HEAVYLIFT INSTALLATION W/O AUX WINCH

ITEM	PART NUMBER	DESCRIPTION	QUANTITY	NOTES
	1038068	HEAVYLIFT INSTALLATION W/O AUX WINCH		
18	1034799	WELDMENT, CWT RACK	1	
19	1034810	PIN, COUNTERWEIGHT WELD	4	
20	1034832	WELDMENT, 4500 LB COUNTERWEIGHT	1	
21	1034842	WELDMENT, HEAVYWEIGHT SLAB TOP	1	
22	1034844	CYLINDER, COUNTERWEIGHT REMOVAL	3	
23	1034876	WELDMENT, HEAVYWEIGHT SLAB BOTTOM	1	
24	1034937	PIN, COUNTERWEIGHT REMOVAL	2	
25	1037712	SLAB WELDMENT	1	
26	1039315	PLATE, TOP STOP	2	
27	1223-1013	CWT REMOVAL SWITCH	1	
28	HHCS-C2503758Z0	HEX HEAD CAP SCREW, 1/4-20 X 3/8 LEN, GR8, ZN	2	
29	HHCS-C250B258Z0	HEX HEAD CAP SCREW, 1/4-20 X 2 1/4 LEN, GR8, ZN	2	
30	HHCS-C375A508Z0	HEX HEAD CAP SCREW, 3/8-16 X 1 1/2 LEN, GR8, ZN	4	
31	HHCS-C500A378Z0	HEX HEAD CAP SCREW, 1/2-13 X 1 3/8 LEN, GR8, ZN	8	
32	HHCS-C750C258R0	HEX HEAD CAP SCREW, 3/4-10 X 3 1/4 LEN, GR8, NF	12	
33	HHCS-C875B758M0	HEX HEAD CAP SCREW, 7/8-9 X 2 3/4 LEN, GR8, MA	4	
34	HHCS-C875F508M0	HEX HEAD CAP SCREW, 7/8-9 X 6 1/2 LEN, GR8, MA	4	

WHEN ORDERING PARTS, SPECIFY MODEL NUMBER, SERIAL NUMBER AND DESCRIPTION OF PARTS REQUIRED

HEAVYLIFT INSTALLATION W/O AUX WINCH

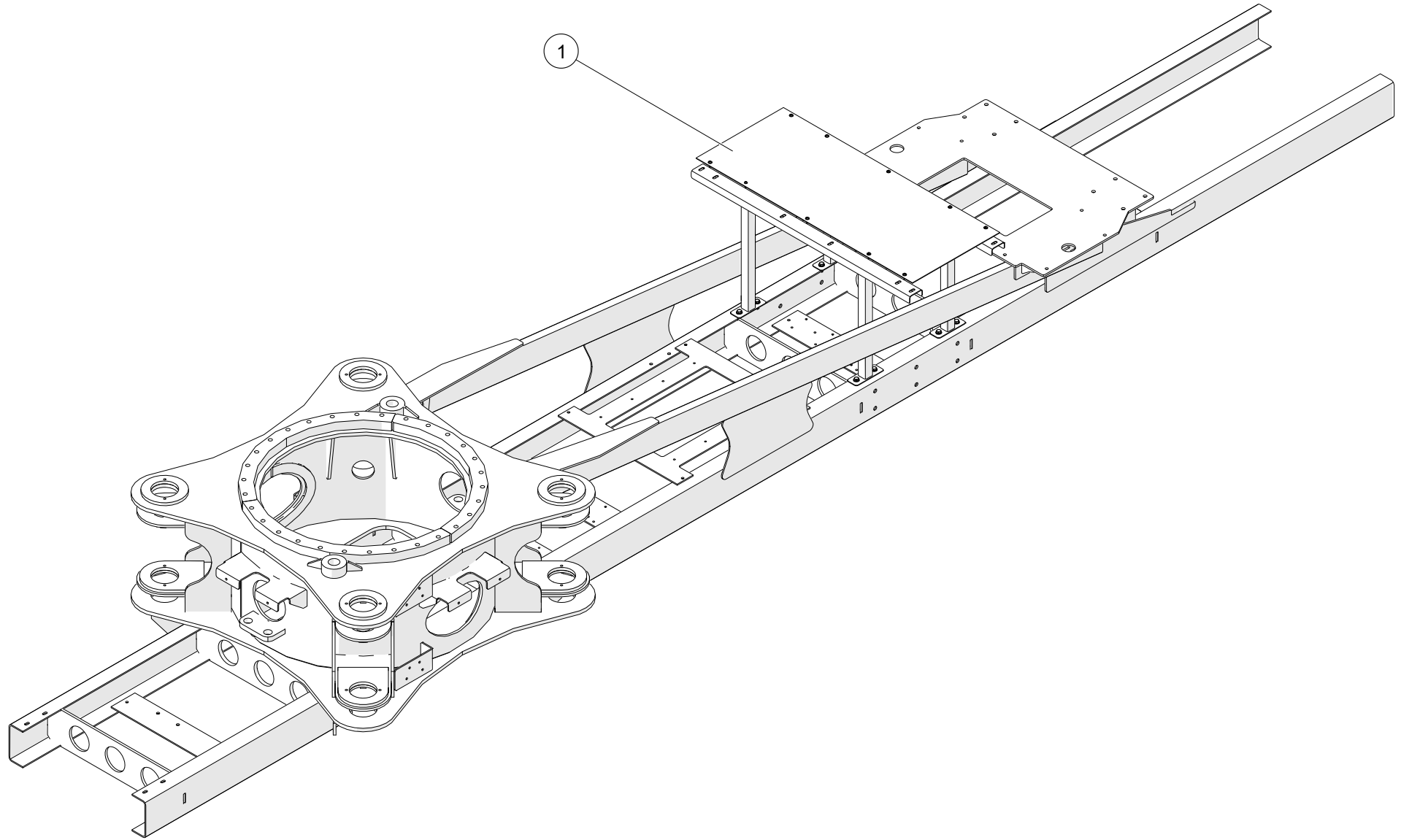


WHEN ORDERING PARTS, SPECIFY MODEL NUMBER, SERIAL NUMBER AND DESCRIPTION OF PARTS REQUIRED

HEAVYLIFT INSTALLATION W/O AUX WINCH

ITEM	PART NUMBER	DESCRIPTION	QUANTITY	NOTES
	1038068	HEAVYLIFT INSTALLATION W/O AUX WINCH		
35	HHCS-F750C008M0	HEX HEAD CAP SCREW, 3/4-16 X 3 LEN, GR8, MA	2	
36	NUT2-C7500008M0	HEX JAM NUT, 3/4-10, GR8, MA	2	
37	NUT3-C7500008Z0	NYLON LOCK NUT, 3/4-10, GR8, ZN	12	
38	NUT3-C8750008M0	NYLON LOCK NUT, 7/8-9, GR8, MA	4	
39	PIN4-X250A12XZ0	LOCK PIN WITH ROUNDED RETAINER, 1/4 DIA X 1 1/8 LEN, ZINC	4	
40	PIN7-X375A87XZ0	LOCK PIN WITH SQUARE RETAINER, 3/8 DIA X 1 7/8 LEN, ZINC	4	
41	SH03-C313A00BB0	SHCS BUTTON HEAD, 5/16-18 X 1 LEN, BO	6	
42	T113212	PANEL ASSY, COVER- CTWT	1	
43	T117460	SPACER, CWT RACK MOUNTING	6	
44	T132014	MANIFOLD	1	
45	WSH2-X2500008Z0	SAE WASHER, 1/4, GR8, ZN	4	
46	WSH2-X3130008Z0	SAE WASHER, 5/16, GR8, ZN	6	
47	WSH2-X3750008Z0	SAE WASHER, 3/8, GR8, ZN	4	
48	WSH2-X5000008Z0	SAE WASHER, 1/2, GR8, ZN	8	
49	WSH2-X7500008Z0	SAE WASHER, 3/4, GR8, ZN	28	
50	WSH2-X8750008Z0	SAE WASHER, 7/8, GR8, ZN	12	
51	WSH4-X5000008Z0	SPIRAL LOCK WASHER, 1/2, GR8, ZN	8	

WHEN ORDERING PARTS, SPECIFY MODEL NUMBER, SERIAL NUMBER AND DESCRIPTION OF PARTS REQUIRED



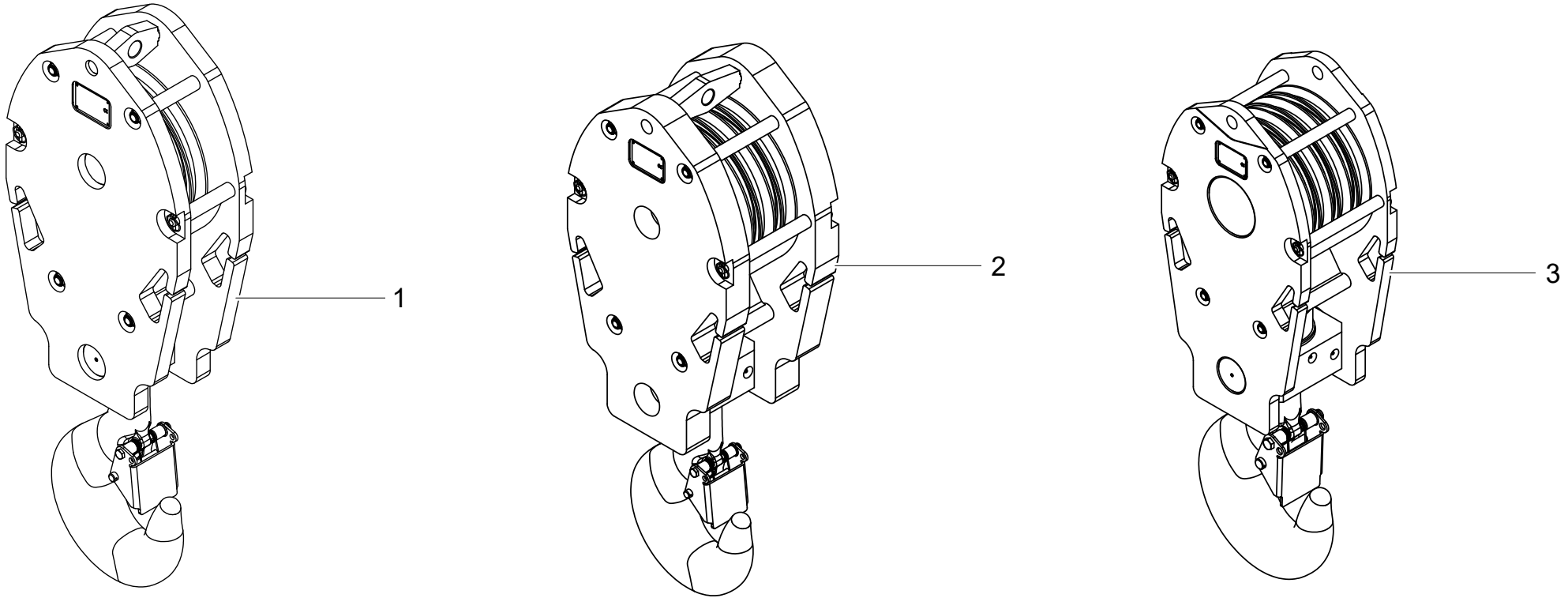
WHEN ORDERING PARTS, SPECIFY MODEL NUMBER, SERIAL NUMBER AND DESCRIPTION OF PARTS REQUIRED

AERIAL COUNTERWEIGHT (PL180)

ITEM	PART NUMBER	DESCRIPTION	QUANTITY	NOTES
	1039804	AERIAL COUNTERWEIGHT (PL180)		
1	1034943	PANEL ASSY, COVER- CTWT	1	SEE PAGE 107

WHEN ORDERING PARTS, SPECIFY MODEL NUMBER, SERIAL NUMBER AND DESCRIPTION OF PARTS REQUIRED

PL 180 HOOK BLOCK OPTIONS



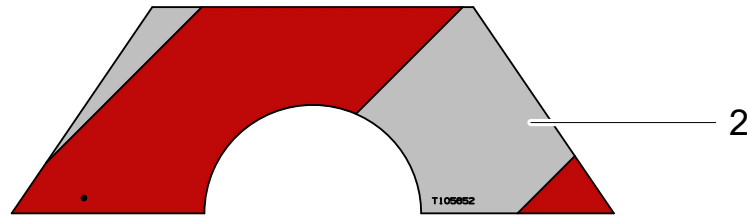
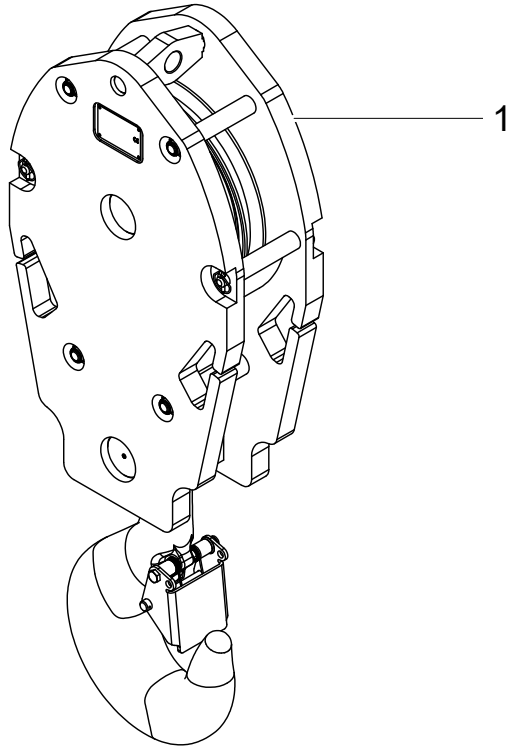
WHEN ORDERING PARTS, SPECIFY MODEL NUMBER, SERIAL NUMBER AND DESCRIPTION OF PARTS REQUIRED

PL 180 HOOK BLOCK OPTIONS

ITEM	PART NUMBER	DESCRIPTION	QUANTITY	NOTES
	1035226	PL 180 HOOK BLOCK OPTIONS		
1	1035223	HOOK BLOCK ASSY, 1 SHEAVE, 20 TON	1	SEE PAGE 123
2	1035224	HOOK BLOCK ASSY, 3 SHEAVE, 35 TON	1	SEE PAGE 125
3	1035225	HOOK BLOCK ASSY, 4 SHEAVE, 50 TON	1	SEE PAGE 127

WHEN ORDERING PARTS, SPECIFY MODEL NUMBER, SERIAL NUMBER AND DESCRIPTION OF PARTS REQUIRED

HOOK BLOCK ASSY, 1 SHEAVE, 20 TON



WARNING

Crush Hazard
Contact with falling load can result in death or serious injury.

Stay clear of suspended loads. Never go below a suspended load.

T140607 REV A

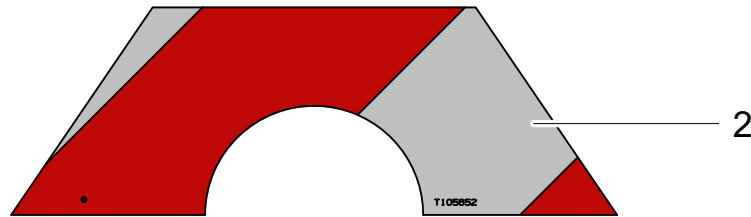
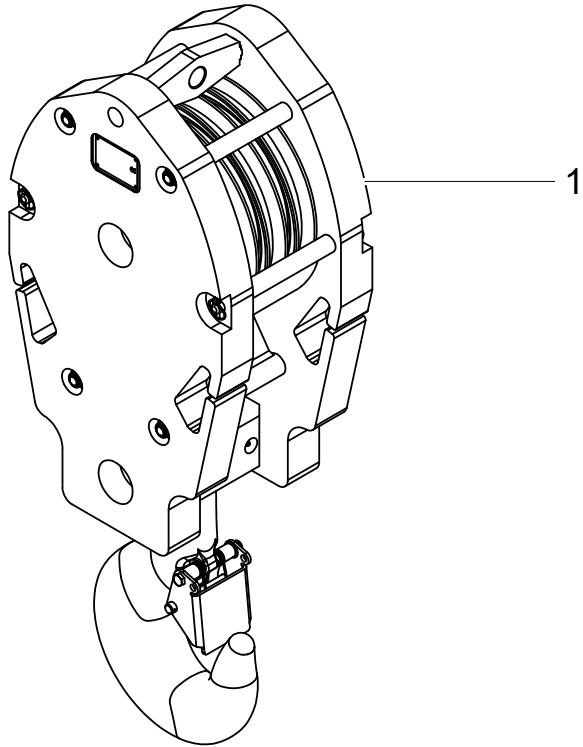
3

WHEN ORDERING PARTS, SPECIFY MODEL NUMBER, SERIAL NUMBER AND DESCRIPTION OF PARTS REQUIRED


HOOK BLOCK ASSY, 1 SHEAVE, 20 TON

ITEM	PART NUMBER	DESCRIPTION	QUANTITY	NOTES
	1035223	HOOK BLOCK ASSY, 1 SHEAVE, 20 TON		
1	1034587	HOOKBLOCK, 1 SHEAVE, 20T, 5/8IN, 500LBS	1	
2	T105652	DECAL, HOOK BLOCK	2	
3	T140607	DECAL, CRUSH HAZARD, STAY CLEAR LOAD	2	

WHEN ORDERING PARTS, SPECIFY MODEL NUMBER, SERIAL NUMBER AND DESCRIPTION OF PARTS REQUIRED



⚠ WARNING



Crush Hazard
Contact with falling load can result in death or serious injury.



Stay clear of suspended loads. Never go below a suspended load.

T140607 REV A

3

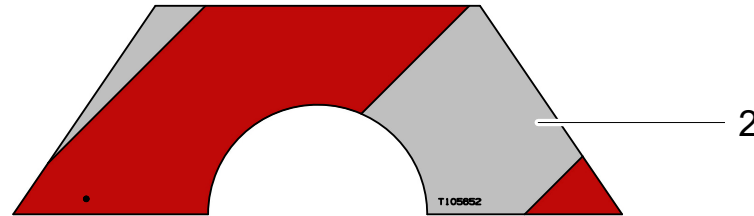
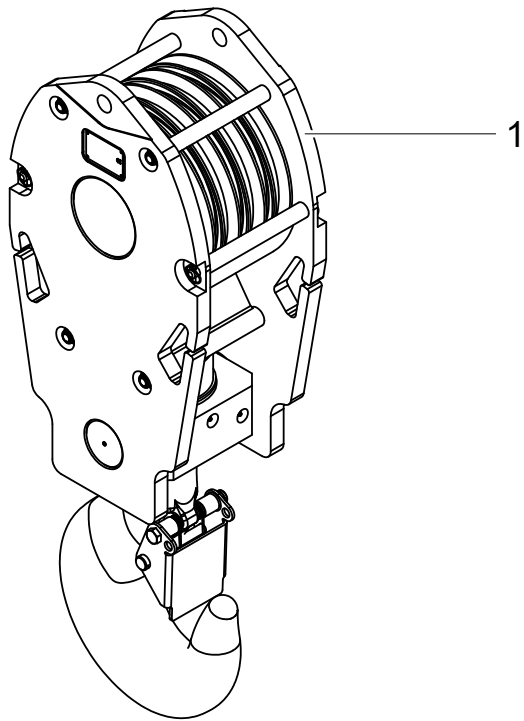
WHEN ORDERING PARTS, SPECIFY MODEL NUMBER, SERIAL NUMBER AND DESCRIPTION OF PARTS REQUIRED

HOOK BLOCK ASSY, 3 SHEAVE, 35 TON

ITEM	PART NUMBER	DESCRIPTION	QUANTITY	NOTES
	1035224	HOOK BLOCK ASSY, 3 SHEAVE, 35 TON		
1	1034586	HOOKBLOCK, 3 SHEAVE, 35T, 5/8IN, 824LBS	1	
2	T105652	DECAL, HOOK BLOCK	2	
3	T140607	DECAL, CRUSH HAZARD, STAY CLEAR LOAD	2	

WHEN ORDERING PARTS, SPECIFY MODEL NUMBER, SERIAL NUMBER AND DESCRIPTION OF PARTS REQUIRED

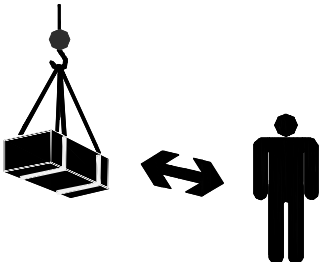
HOOK BLOCK ASSY, 4 SHEAVE, 50 TON



⚠ WARNING



Crush Hazard
Contact with falling load can result in death or serious injury.



Stay clear of suspended loads. Never go below a suspended load.

T140607 REV A

3

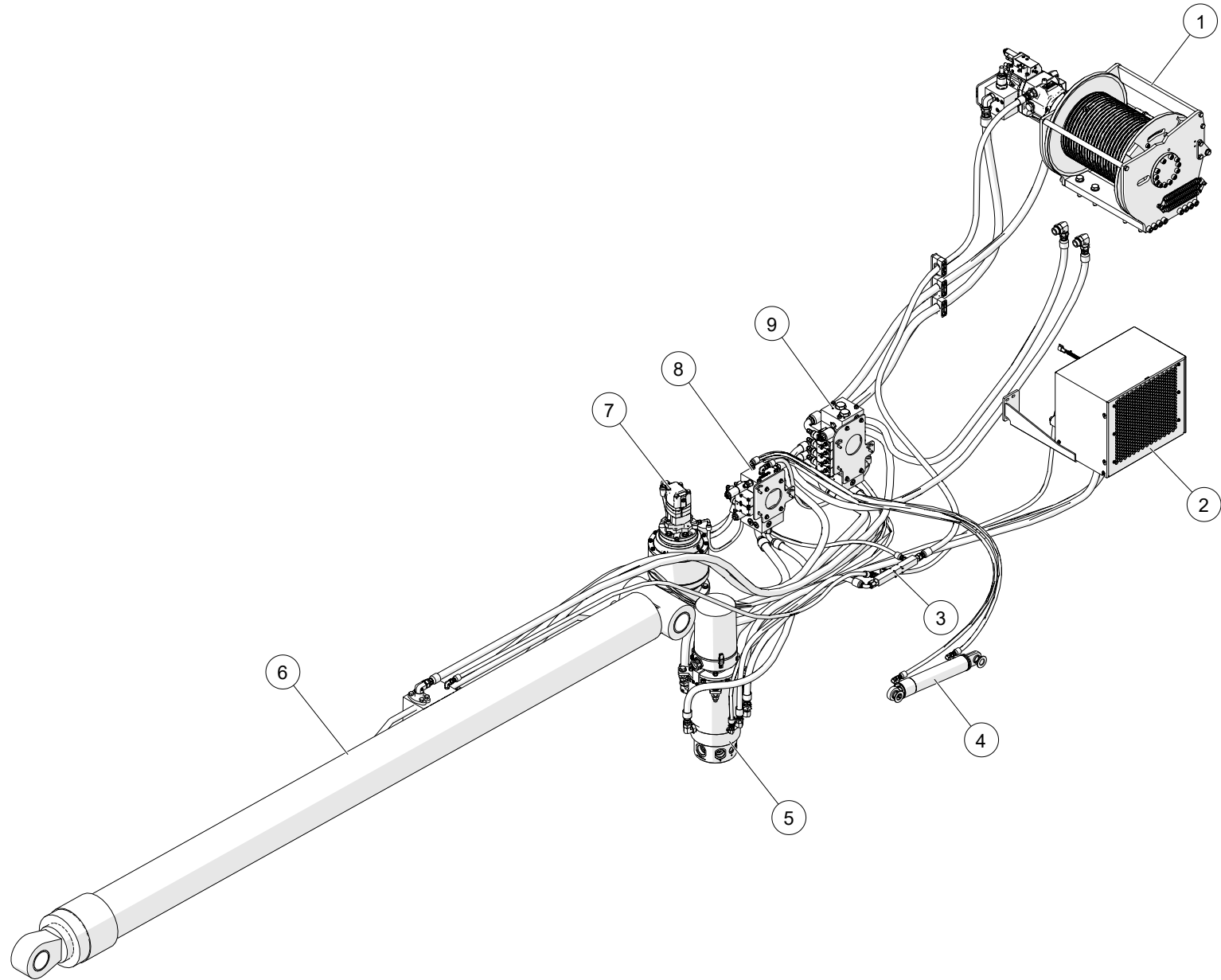
WHEN ORDERING PARTS, SPECIFY MODEL NUMBER, SERIAL NUMBER AND DESCRIPTION OF PARTS REQUIRED

HOOK BLOCK ASSY, 4 SHEAVE, 50 TON

ITEM	PART NUMBER	DESCRIPTION	QUANTITY	NOTES
	1035225	HOOK BLOCK ASSY, 4 SHEAVE, 50 TON		
1	1034589	HOOKBLOCK, 4 SHEAVE, 50T, 5/8IN, 825 LB	1	
2	T105652	DECAL, HOOK BLOCK	2	
3	T140607	DECAL, CRUSH HAZARD, STAY CLEAR LOAD	2	

WHEN ORDERING PARTS, SPECIFY MODEL NUMBER, SERIAL NUMBER AND DESCRIPTION OF PARTS REQUIRED

UPPER HYDRAULICS ASSEMBLY

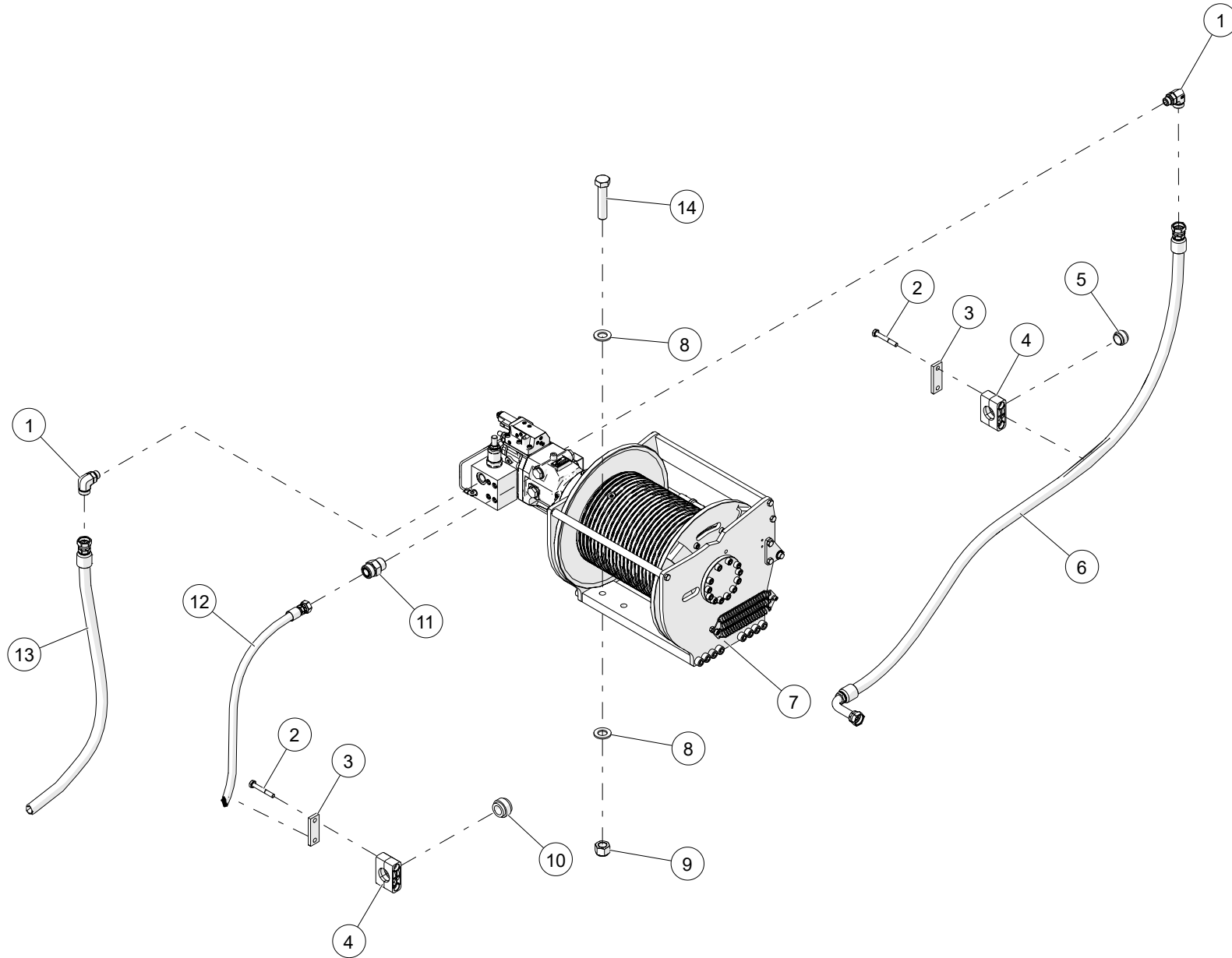


WHEN ORDERING PARTS, SPECIFY MODEL NUMBER, SERIAL NUMBER AND DESCRIPTION OF PARTS REQUIRED

UPPER HYDRAULICS ASSEMBLY

ITEM	PART NUMBER	DESCRIPTION	QUANTITY	NOTES
	1035156	UPPER HYDRAULICS ASSEMBLY		
1	1-ASSEMBLY	FOR REFERENCE ONLY	1	SEE PAGE 131
2	2-ASSEMBLY	FOR REFERENCE ONLY	1	SEE PAGE 133
3	3-ASSEMBLY	FOR REFERENCE ONLY	1	SEE PAGE 135
4	4-ASSEMBLY	FOR REFERENCE ONLY	1	SEE PAGE 137
5	5-ASSEMBLY	FOR REFERENCE ONLY	1	SEE PAGE 139
6	6-ASSEMBLY	FOR REFERENCE ONLY	1	SEE PAGE 143
7	7-ASSEMBLY	FOR REFERENCE ONLY	1	SEE PAGE 145
8	8-ASSEMBLY	FOR REFERENCE ONLY	1	SEE PAGE 147
9	9-ASSEMBLY	FOR REFERENCE ONLY	1	SEE PAGE 151

WHEN ORDERING PARTS, SPECIFY MODEL NUMBER, SERIAL NUMBER AND DESCRIPTION OF PARTS REQUIRED

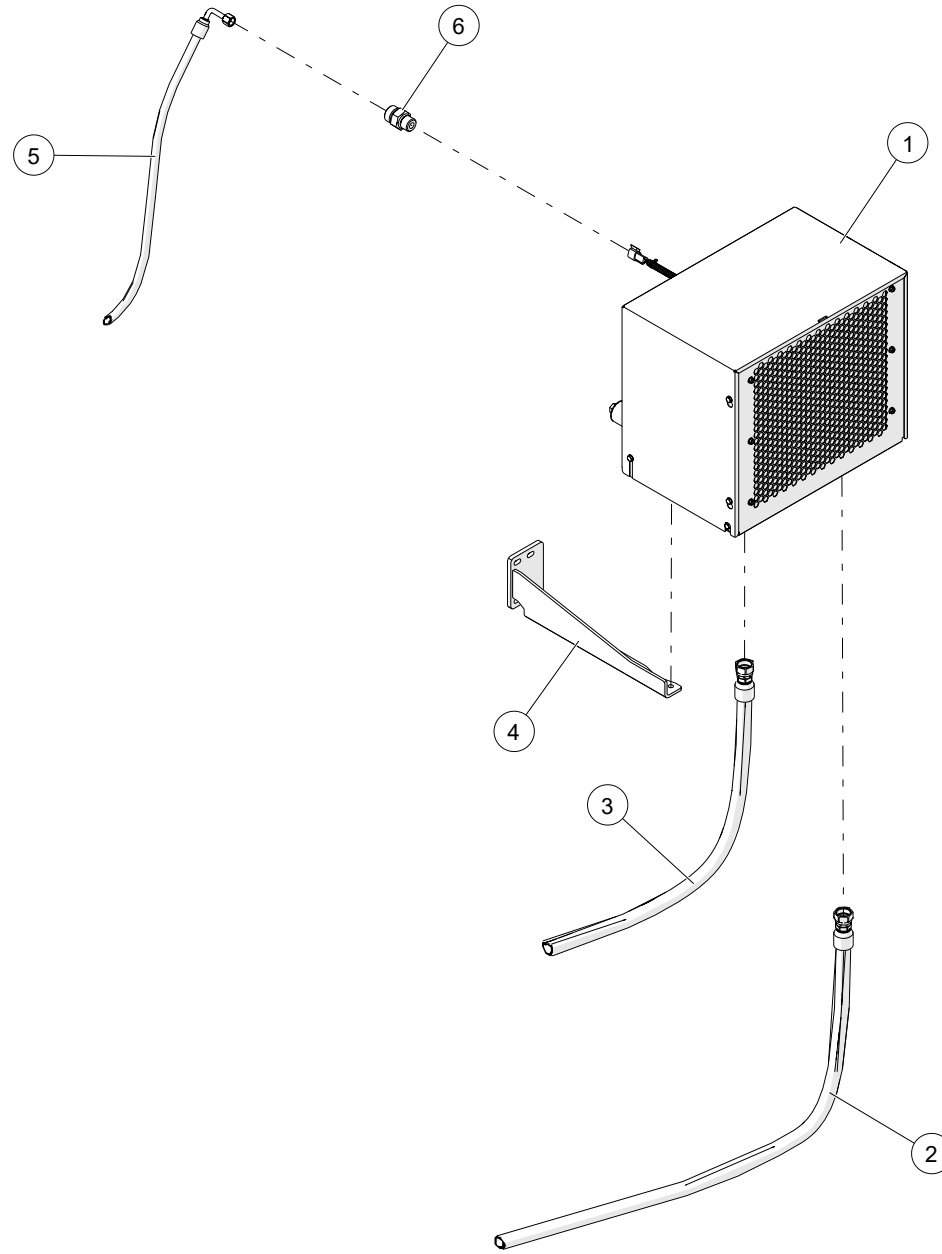


WHEN ORDERING PARTS, SPECIFY MODEL NUMBER, SERIAL NUMBER AND DESCRIPTION OF PARTS REQUIRED

1-ASSEMBLY

ITEM	PART NUMBER	DESCRIPTION	QUANTITY	NOTES
	1-ASSEMBLY	FOR REFERENCE ONLY		
1	1014022	ELBOW, 90, MOFS-16/MORB-12	2	
2	1034059	STAUFF BOLT, AS-3/8-16UNCX2-3/4-AB-GR5-W3	6	
3	1034056	DPAL-5S-W3-N	3	
4	1034057	5S-PP-R	5	
5	1034063	RI-32-6/5S	4	
6	1027909	HOSE, -16, 3000, FOFS-16SW / L90FOFS-16SW, 89.75	1	
7	1008361	WINCH, MAIN/AUX (DYNAMIC)	1	
8	WSH1-X7500008Z0	WASHER, 3/4, GR8, ZN	16	
9	NUT3-F7500008M0	NYLON LOCK NUT, 3/4-16, GR8, MA	8	
10	1034062	RI-25-6/5S	1	
11	1010088	ADAPTER, MOFS-12/MORB-12	6	
12	1027914	HOSE, -10, 300, FOFS-10SW / FOFS-12SW, 113.75	1	
13	1027908	HOSE, -16, 3000, FOFS-16SW / 90FOFS-16SW, 78.5	1	
14	HHCS-F750C508M1	HEX HEAD CAP SCREW, 3/4-16 X 3 1/2 LEN, GR8, MA, FULL THREAD	8	

WHEN ORDERING PARTS, SPECIFY MODEL NUMBER, SERIAL NUMBER AND DESCRIPTION OF PARTS REQUIRED



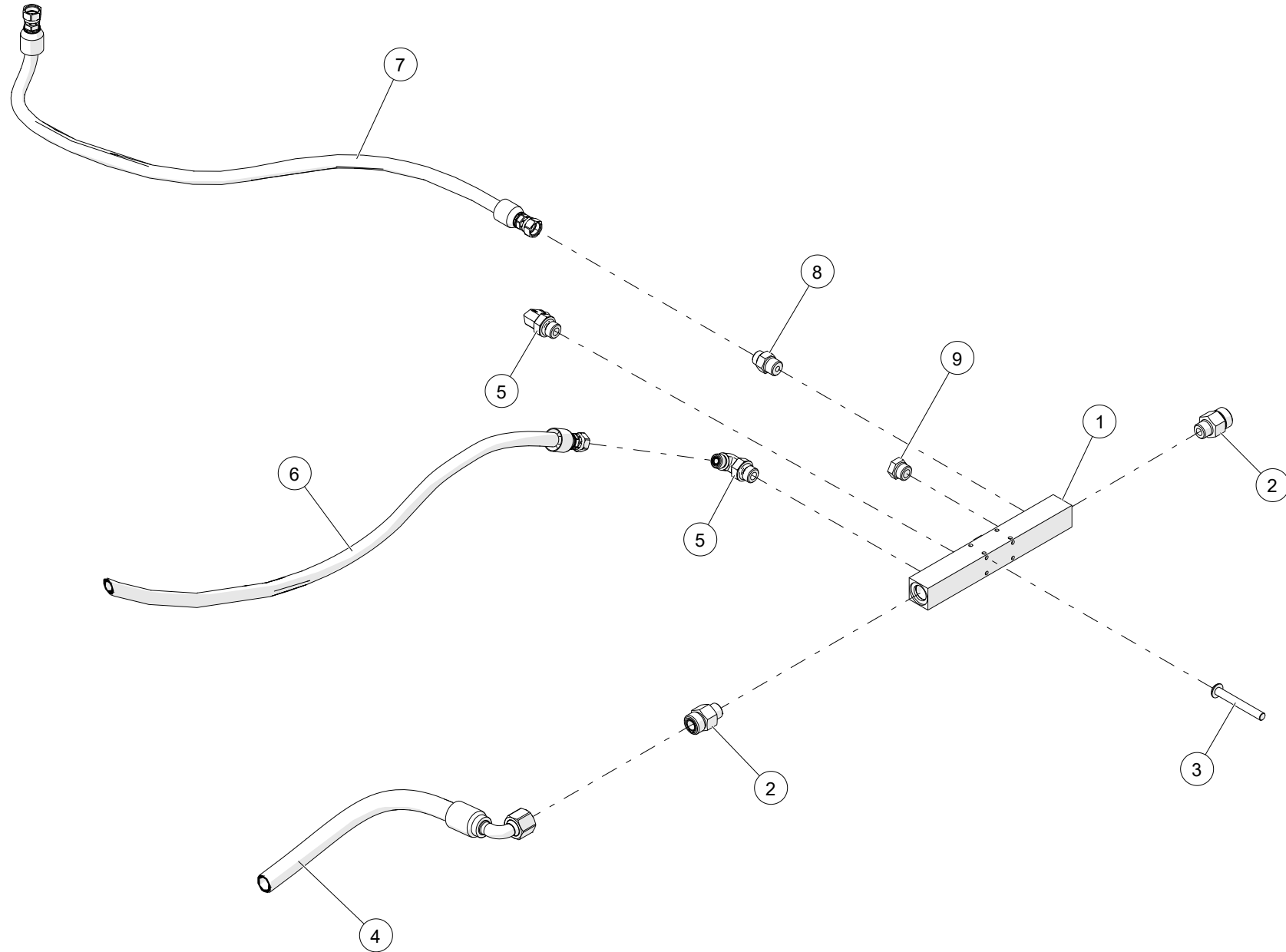
WHEN ORDERING PARTS, SPECIFY MODEL NUMBER, SERIAL NUMBER AND DESCRIPTION OF PARTS REQUIRED

2-ASSEMBLY

ITEM	PART NUMBER	DESCRIPTION	QUANTITY	NOTES
	2-ASSEMBLY	FOR REFERENCE ONLY		
1	1008805	CROSS OVER 80 HVAC	1	
2	1027894	HOSE, -12, 3000, FOFS-12SW/FOFS-12SW, 102.25	1	
3	1027895	HOSE, -12, 300, FOFS-12SW/FOFS-12SW, 98.75	1	
4	1038938	AC BRACKET WELDMENT	1	
5	1027993	HOSE, -6, 300, L90FOFS-6SW/FOFS-6SW, 70.0	1	
6	1010071	ADAPTER, MOFS-6/MORB-6	5	

WHEN ORDERING PARTS, SPECIFY MODEL NUMBER, SERIAL NUMBER AND DESCRIPTION OF PARTS REQUIRED

3-ASSEMBLY

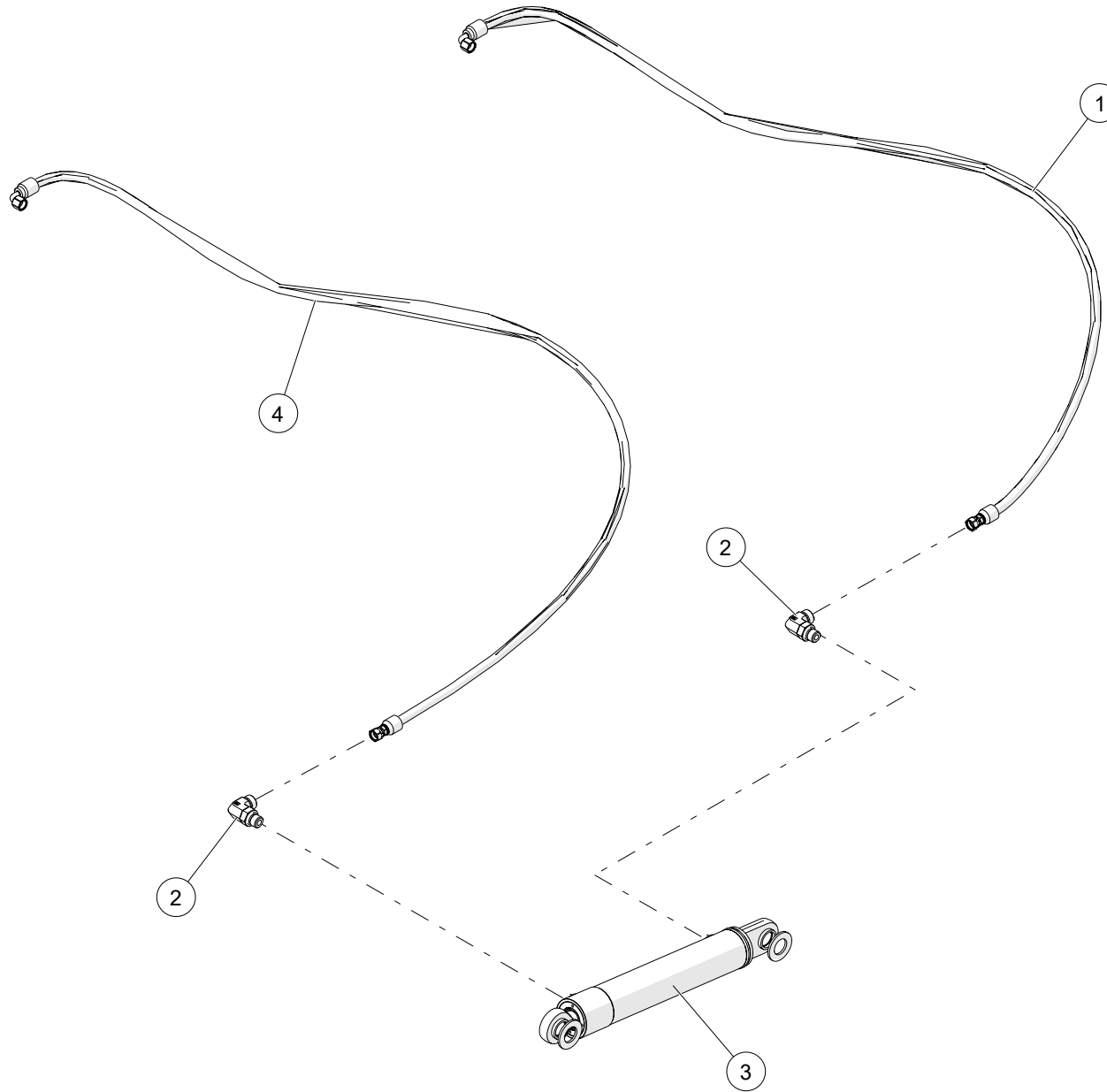


WHEN ORDERING PARTS, SPECIFY MODEL NUMBER, SERIAL NUMBER AND DESCRIPTION OF PARTS REQUIRED

3-ASSEMBLY

ITEM	PART NUMBER	DESCRIPTION	QUANTITY	NOTES
	3-ASSEMBLY	FOR REFERENCE ONLY		
1	T132014	MANIFOLD	1	
2	1010080	ADAPTER, MOFS-10/MORB-8	2	
3	1027289	CAP SCREW, 10-24 X 40, ZINC	4	
4	1027893	HOSE, -10, 300, FOFS-10SW / 90FOFS-10SW, 44.0	1	
5	1014005	ELBOW, 90, MOFS-6/MORB-8	2	
6	1027888	HOSE, -4, 300, FOFS-4SW/FOFS-4SW,105.0	1	
7	1027891	HOSE, -6, 300, FOFS-6SW/FOFS-6SW, 38.0	1	
8	1010073	ADAPTER, MOFS-6/MORB-8	1	
9	1019668	PLUG, HEX, ORB-8	2	

WHEN ORDERING PARTS, SPECIFY MODEL NUMBER, SERIAL NUMBER AND DESCRIPTION OF PARTS REQUIRED

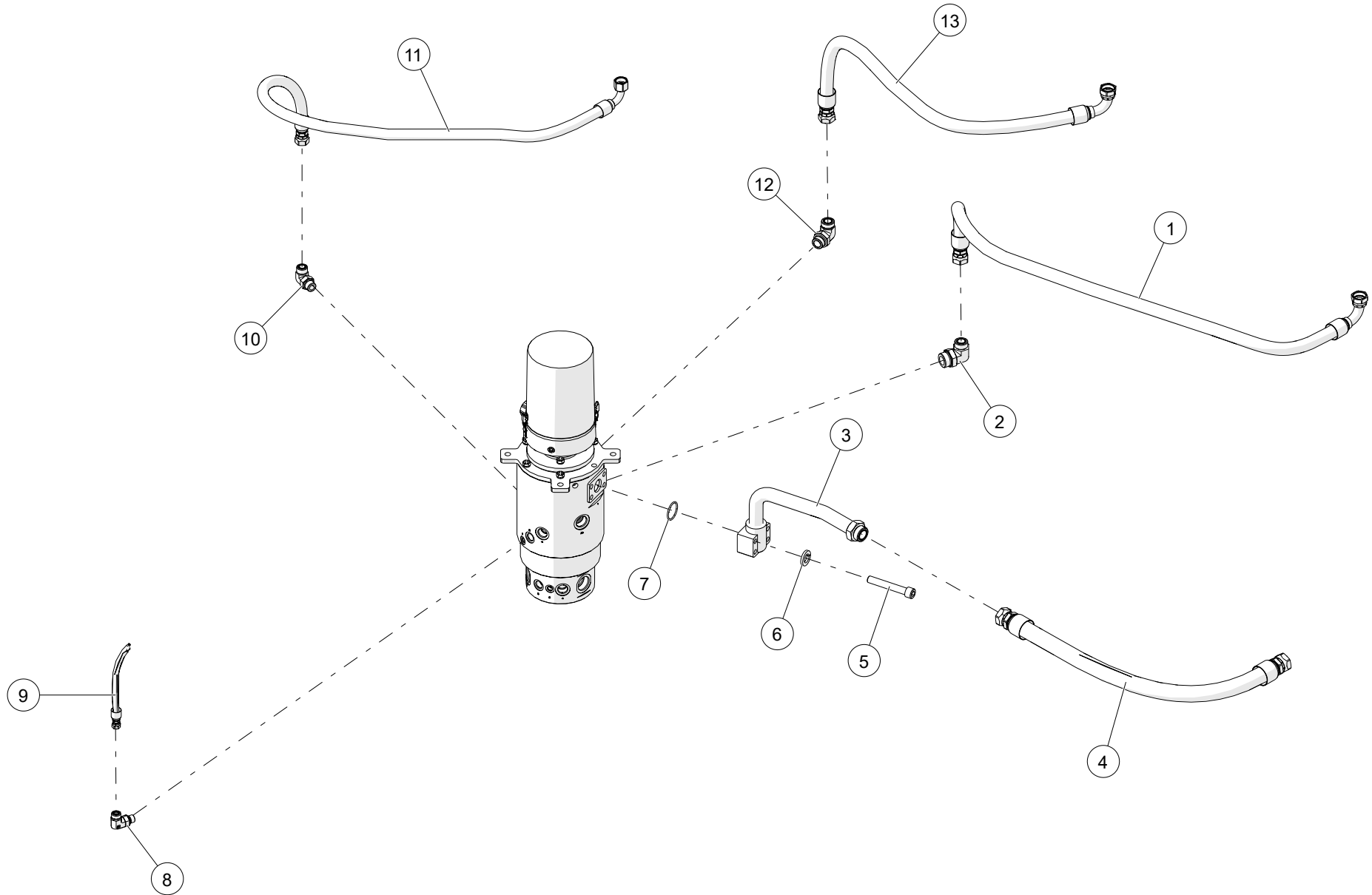


WHEN ORDERING PARTS, SPECIFY MODEL NUMBER, SERIAL NUMBER AND DESCRIPTION OF PARTS REQUIRED

4-ASSEMBLY

ITEM	PART NUMBER	DESCRIPTION	QUANTITY	NOTES
	4-ASSEMBLY	FOR REFERENCE ONLY		
1	1027883	HOSE, -6, 3000, 90FOFS-6SW/FOFS-6SW, 77.75	1	
2	1014001	ELBOW, 90, MOFS-6/MORB-6	6	
3	T163592	CYLINDER, CAB TILT	1	
4	1027882	HOSE, -6, 3000, 90FOFS-6SW/FOFS-6SW, 87.5	1	

WHEN ORDERING PARTS, SPECIFY MODEL NUMBER, SERIAL NUMBER AND DESCRIPTION OF PARTS REQUIRED

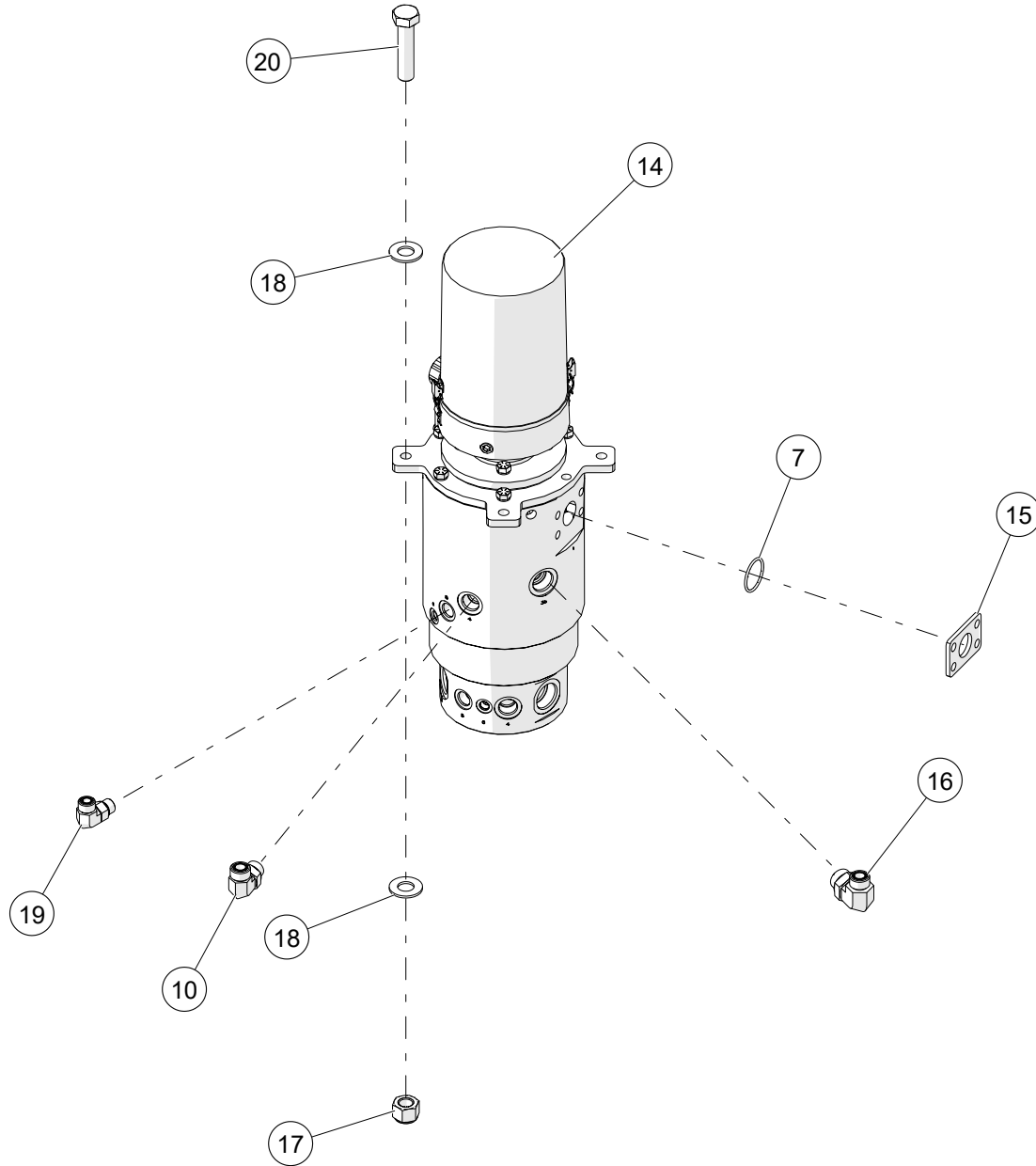


WHEN ORDERING PARTS, SPECIFY MODEL NUMBER, SERIAL NUMBER AND DESCRIPTION OF PARTS REQUIRED

5-ASSEMBLY

ITEM	PART NUMBER	DESCRIPTION	QUANTITY	NOTES
	5-ASSEMBLY	FOR REFERENCE ONLY		
1	1027902	HOSE, -16, 3000, FOFS-16SW / 90FOFS-16SW, 68.0	1	
2	1014025	ELBOW, 90, MOFS-16/MORB-20	1	
3	1037626	TUBE, -24, 300, 90C61-24/MOFS-20	1	
4	1027945	HOSE, -20, LOW, FOFS-20SW / FOFS-20SW, 38.5	1	
5	SHCS-C500C25AB0	SOCKET HEAD CAP SCREW, 1/2-13 X 3 1/4 LEN, BO	4	
6	WSH4-X5000008Z0	SPIRAL LOCK WASHER, 1/2, GR8, ZN	4	
7	1020291	O-RING, CODE 61/62 -24 SAE, -225	2	
8	1014001	ELBOW, 90, MOFS-6/MORB-6	6	
9	1027892	HOSE, -6, 3000, 90FOFS-6SW/FOFS-6SW, 90.75	1	
10	1014019	ELBOW, 90, MOFS-12/MORB-12	2	
11	1027905	HOSE, -12, 3000, FOFS-12SW / 90FOFS-12SW, 61.5	1	
12	1014023	ELBOW, 90, MOFS-16/MORB-16	2	
13	1027901	HOSE, -16, 3000, FOFS-16SW / 90FOFS-16SW, 48.5	1	

WHEN ORDERING PARTS, SPECIFY MODEL NUMBER, SERIAL NUMBER AND DESCRIPTION OF PARTS REQUIRED

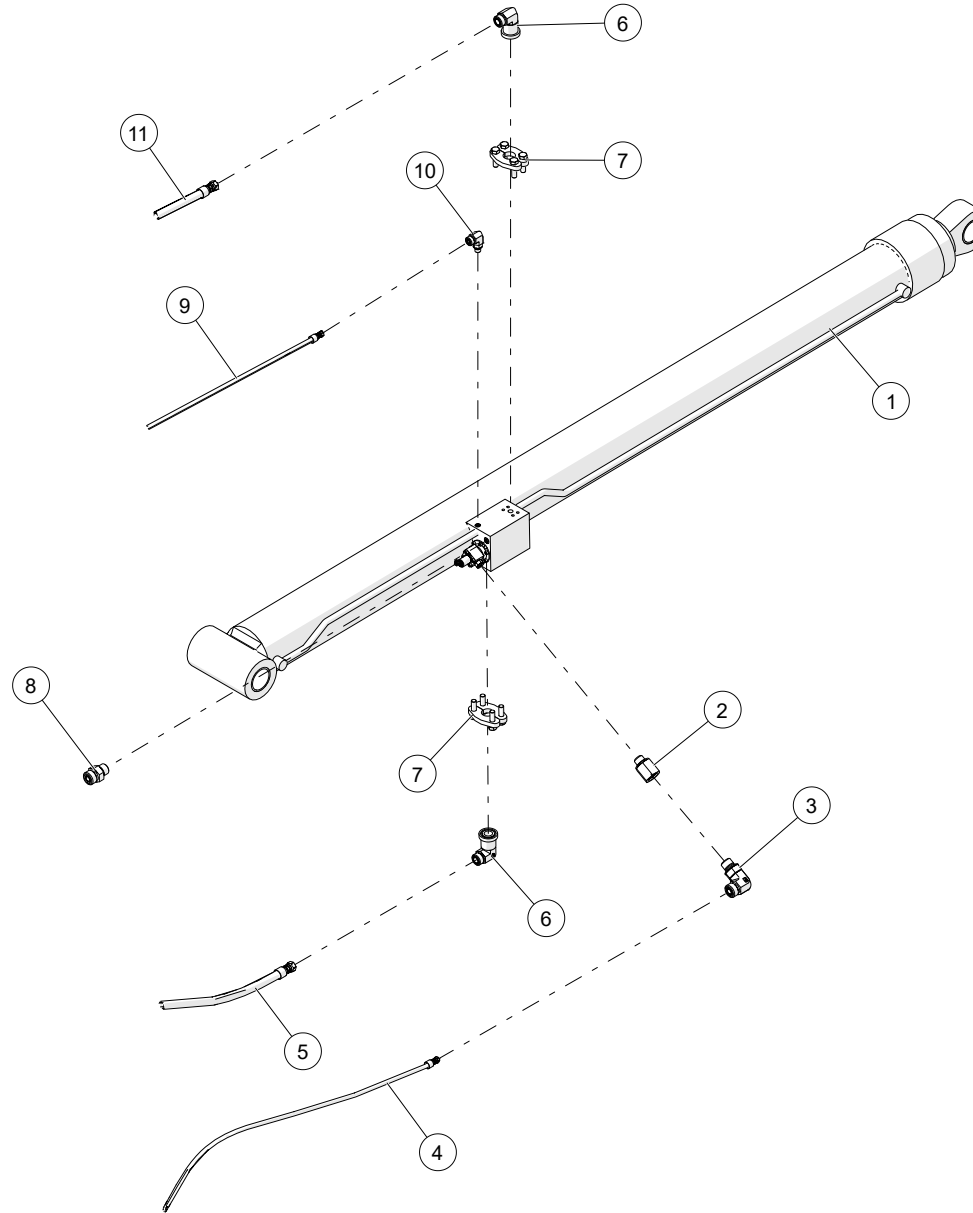


WHEN ORDERING PARTS, SPECIFY MODEL NUMBER, SERIAL NUMBER AND DESCRIPTION OF PARTS REQUIRED

5-ASSEMBLY

ITEM	PART NUMBER	DESCRIPTION	QUANTITY	NOTES
	5-ASSEMBLY	FOR REFERENCE ONLY		
14	1038486	HYDRAULIC SWIVEL	1	
15	1011534	SPACER, CODE 61 -24, 0.25	1	
16	1014020	ELBOW, 90, MOFS-12/MORB-16	3	
17	NUT3-C6250008Z0	NYLON LOCK NUT, 5/8-11, GR8, ZN	4	
18	WSH2-X6250008Z0	SAE WASHER, 5/8, GR8, ZN	8	
19	1014012	ELBOW, 90, MOFS-10/MORB-10	2	
20	HHCS-C625B758Z0	HEX HEAD CAP SCREW, 5/8-11 X 2 3/4 LEN, GR8, ZN	4	

WHEN ORDERING PARTS, SPECIFY MODEL NUMBER, SERIAL NUMBER AND DESCRIPTION OF PARTS REQUIRED

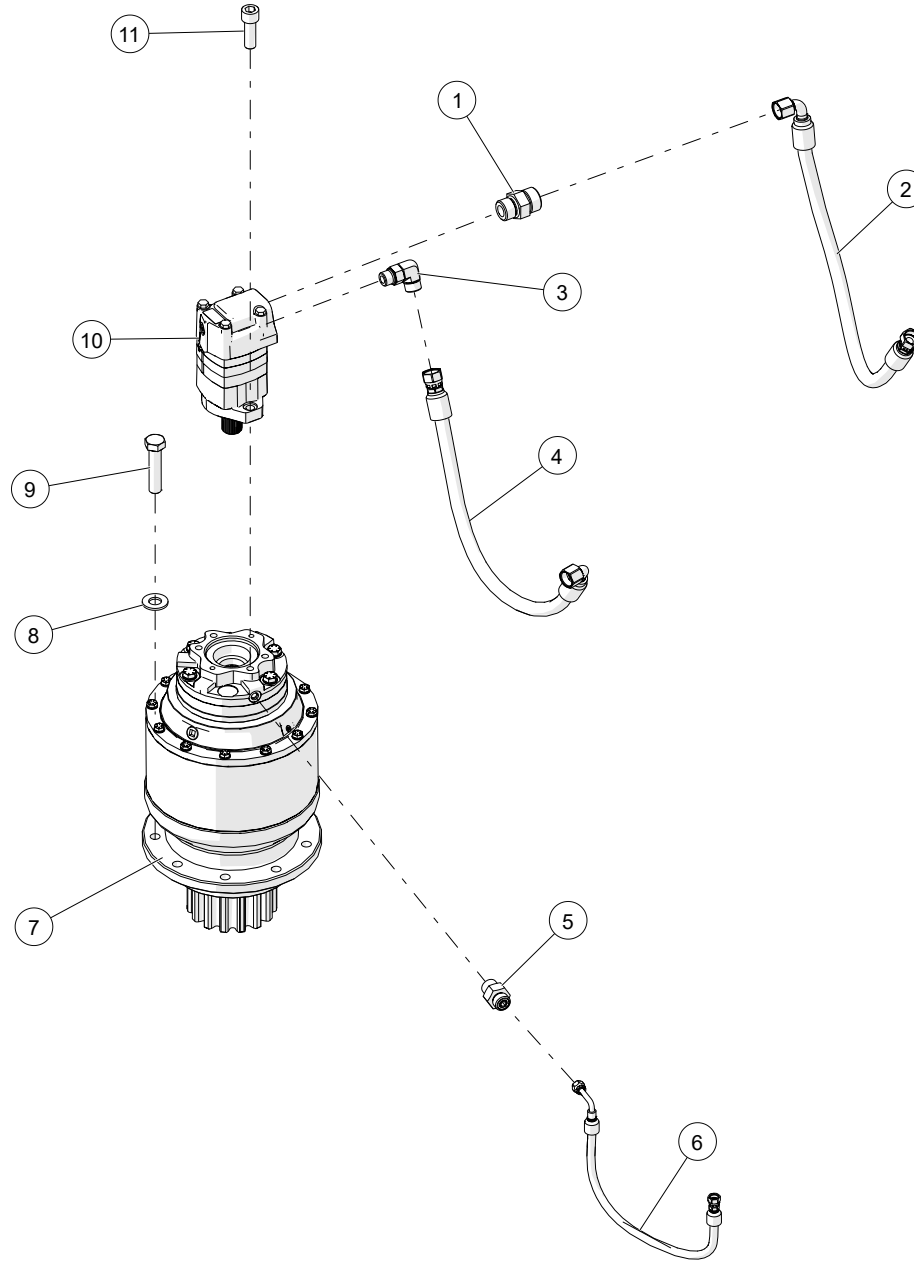


WHEN ORDERING PARTS, SPECIFY MODEL NUMBER, SERIAL NUMBER AND DESCRIPTION OF PARTS REQUIRED

6-ASSEMBLY

ITEM	PART NUMBER	DESCRIPTION	QUANTITY	NOTES
	6-ASSEMBLY	FOR REFERENCE ONLY		
1	1034514	CYLINDER, BOOM LIFT	1	
2	1011216	ADAPTER, FORB-6/MBSPP-4	1	
3	1014001	ELBOW, 90, MOFS-6/MORB-6	6	
4	1027890	HOSE, -6, 3000, FOFS-6SW / 90FOFS-6SW, 136.5	1	
5	1028000	HOSE, -12, 5000, 90FOFS-12SW/FOFS-12SW,130.0	1	
6	1014206	ELBOW, 90,C62-16,MOFS-12	2	
7	1020223	CLAMP, C62-20, KIT	2	
8	1010071	ADAPTER, MOFS-6/MORB-6	5	
9	1027888	HOSE, -4, 300, FOFS-4SW/FOFS-4SW, 105.0	1	
10	1014000	ELBOW, 90, MOFS-6/MORB-4	1	
11	1027904	HOSE, -12, 4500, 90FOFS-12SW / FOFS-12SW, 151.25	1	

WHEN ORDERING PARTS, SPECIFY MODEL NUMBER, SERIAL NUMBER AND DESCRIPTION OF PARTS REQUIRED

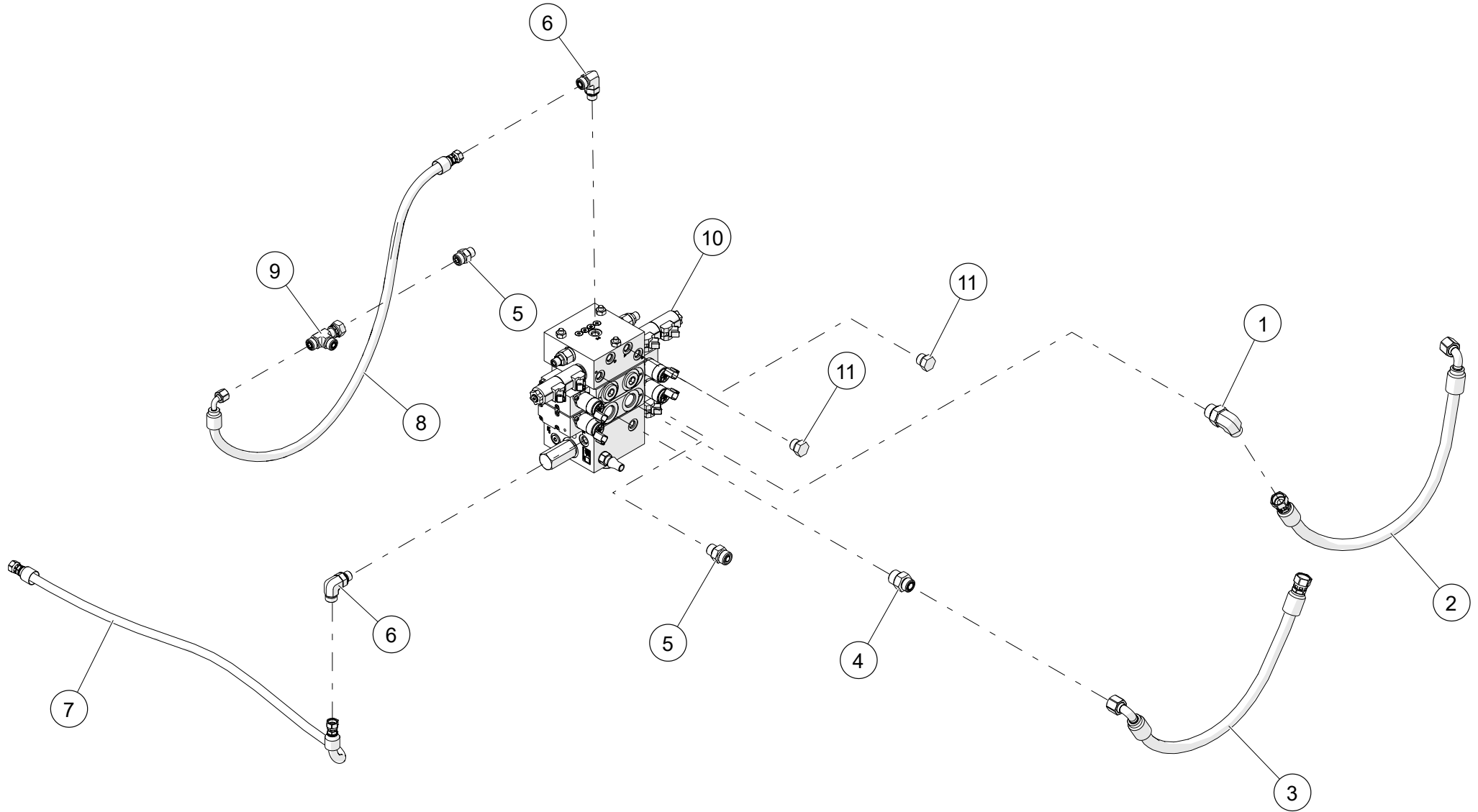


WHEN ORDERING PARTS, SPECIFY MODEL NUMBER, SERIAL NUMBER AND DESCRIPTION OF PARTS REQUIRED

7-ASSEMBLY

ITEM	PART NUMBER	DESCRIPTION	QUANTITY	NOTES
	7-ASSEMBLY	FOR REFERENCE ONLY		
1	1010081	ADAPTER, MOFS-10/MORB-10	1	
2	1028014	HOSE, -10, 4000, 90FOFS-10SW/FOFS-10SW, 28.25	1	
3	1014012	ELBOW, 90, MOFS-10/MORB-10	2	
4	1028013	HOSE, -10, 4000, 90FOFS-10SW/FOFS-10SW, 25.75	1	
5	1010068	ADAPTER, MOFS-4/MORB-6	1	
6	1027885	HOSE, -4, 3000, FOFS-4SW / L90FOFS-4SW, 20.5	1	
7	1008348	SWING DRIVE	1	
8	WSH2-X5000008Z0	SAE WASHER, 1/2, GR8, ZN	9	
9	HHCS-C500B258Z0	HEX HEAD CAP SCREW, 1/2-13 X 2 1/4 LEN, GR8, ZN	9	
10	1008351	MOTOR, SWING	1	
11	S43-12DM035-28	SCR, SHCS M12X1.75X35, ST SQC C8.8	2	

WHEN ORDERING PARTS, SPECIFY MODEL NUMBER, SERIAL NUMBER AND DESCRIPTION OF PARTS REQUIRED

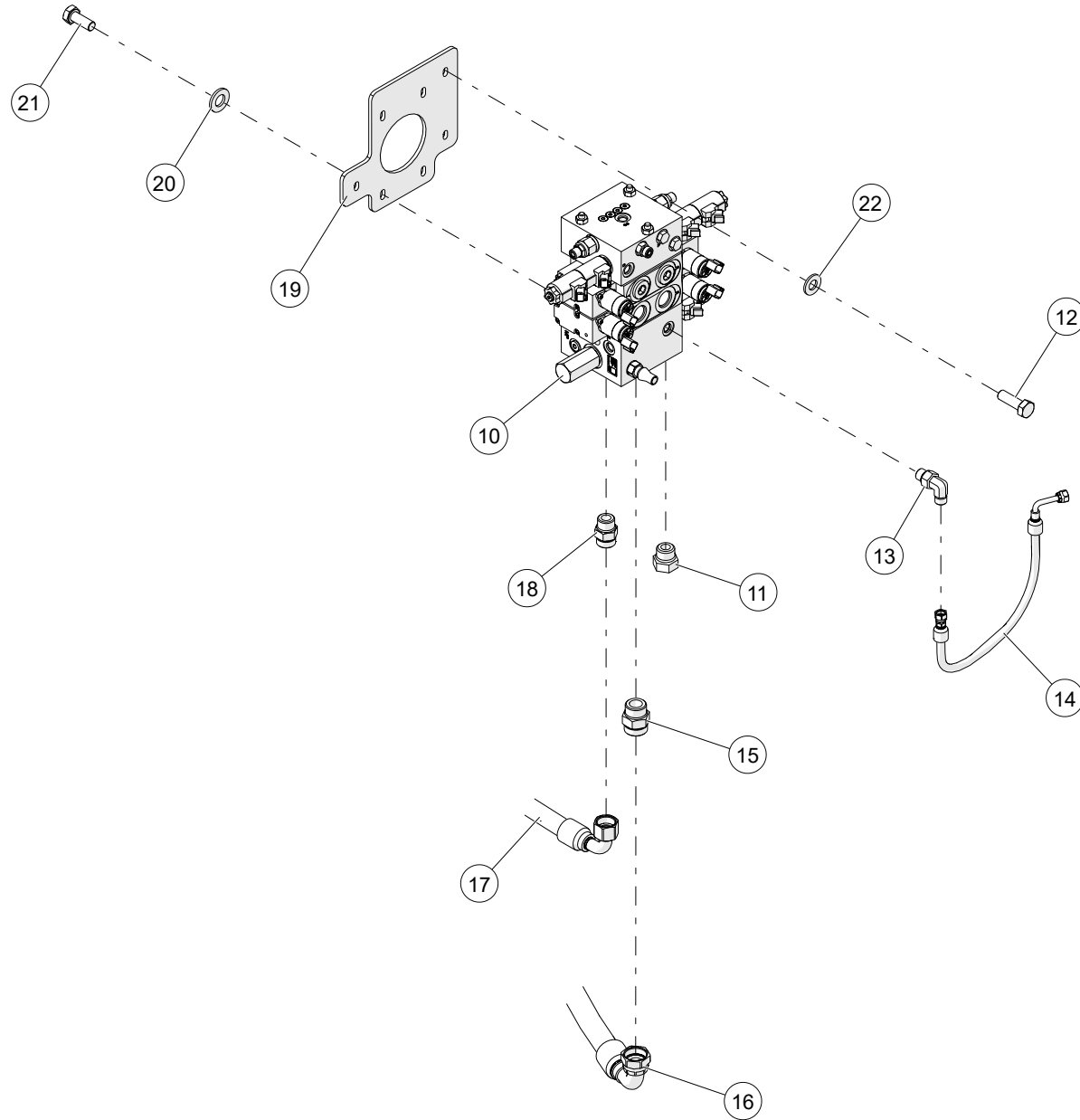


WHEN ORDERING PARTS, SPECIFY MODEL NUMBER, SERIAL NUMBER AND DESCRIPTION OF PARTS REQUIRED

8-ASSEMBLY

ITEM	PART NUMBER	DESCRIPTION	QUANTITY	NOTES
	8-ASSEMBLY	FOR REFERENCE ONLY		
1	1014015	ELBOW, 90, MOFS-10/MORB-12	1	
2	1028014	HOSE,-10,4000,90FOFS-10SW/FOFS-10SW,28.25	1	
3	1028013	HOSE,-10,4000,90FOFS-10SW/FOFS-10SW,25.75	1	
4	1010083	ADAPTER, MOFS-10/MORB-12	1	
5	1010071	ADAPTER, MOFS-6/MORB-6	5	
6	1014001	ELBOW, 90, MOFS-6/MORB-6	6	
7	1027891	HOSE,-6,300,FOFS-6SW/FOFS-6SW,38.0	1	
8	1027884	HOSE, -6, 3000, FOFS-6SW / 90FOFS-6SW, 37.0	1	
9	1018017	TEE, MOFS-6/FOFS-6/MOFS-6	1	
10	1008352	VALVE, SWING	1	
11	1019667	PLUG, HEX, ORB-6	4	

WHEN ORDERING PARTS, SPECIFY MODEL NUMBER, SERIAL NUMBER AND DESCRIPTION OF PARTS REQUIRED

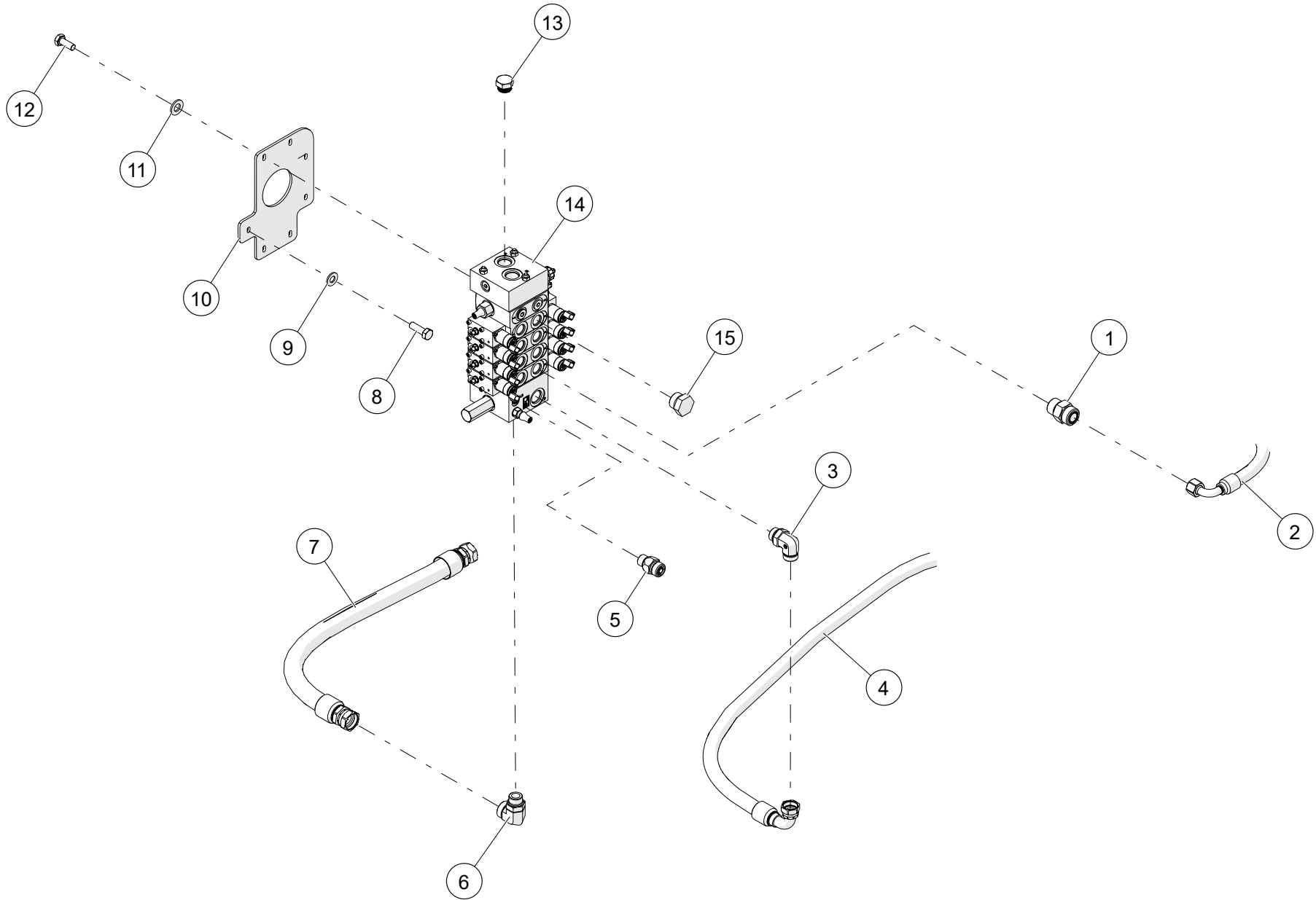


WHEN ORDERING PARTS, SPECIFY MODEL NUMBER, SERIAL NUMBER AND DESCRIPTION OF PARTS REQUIRED

8-ASSEMBLY

ITEM	PART NUMBER	DESCRIPTION	QUANTITY	NOTES
	8-ASSEMBLY	FOR REFERENCE ONLY		
12	HHCS-C313A008Z1	HEX HEAD CAP SCREW, 5/16-18 X 1 LEN, GR8, ZN, FULL THREAD	6	
13	1013998	ELBOW, 90, MOFS-4/MORB-6	1	
14	1027885	HOSE, -4, 3000, FOFS-4SW / L90FOFS-4SW, 20.5	1	
15	1010094	ADAPTER, MOFS-16/MORB-16	1	
16	1027901	HOSE, -16, 3000, FOFS-16SW / 90FOFS-16SW, 48.5	1	
17	1027905	HOSE, -12, 3000, FOFS-12SW / 90FOFS-12SW, 61.5	1	
18	1010088	ADAPTER, MOFS-12/MORB-12	6	
19	1038768	PLATE, VALVE MOUNT	1	
20	WSH1-X10C000XZ0	WASHER, M10, STEEL, ZINC PLATED	8	
21	HHCS-M10C020PZ0	HEX HEAD CAP SCREW, M10-1.5X20, C8.8	8	
22	WSH2-X3130008Z0	SAE WASHER, 5/16, GR8, ZN	6	

WHEN ORDERING PARTS, SPECIFY MODEL NUMBER, SERIAL NUMBER AND DESCRIPTION OF PARTS REQUIRED

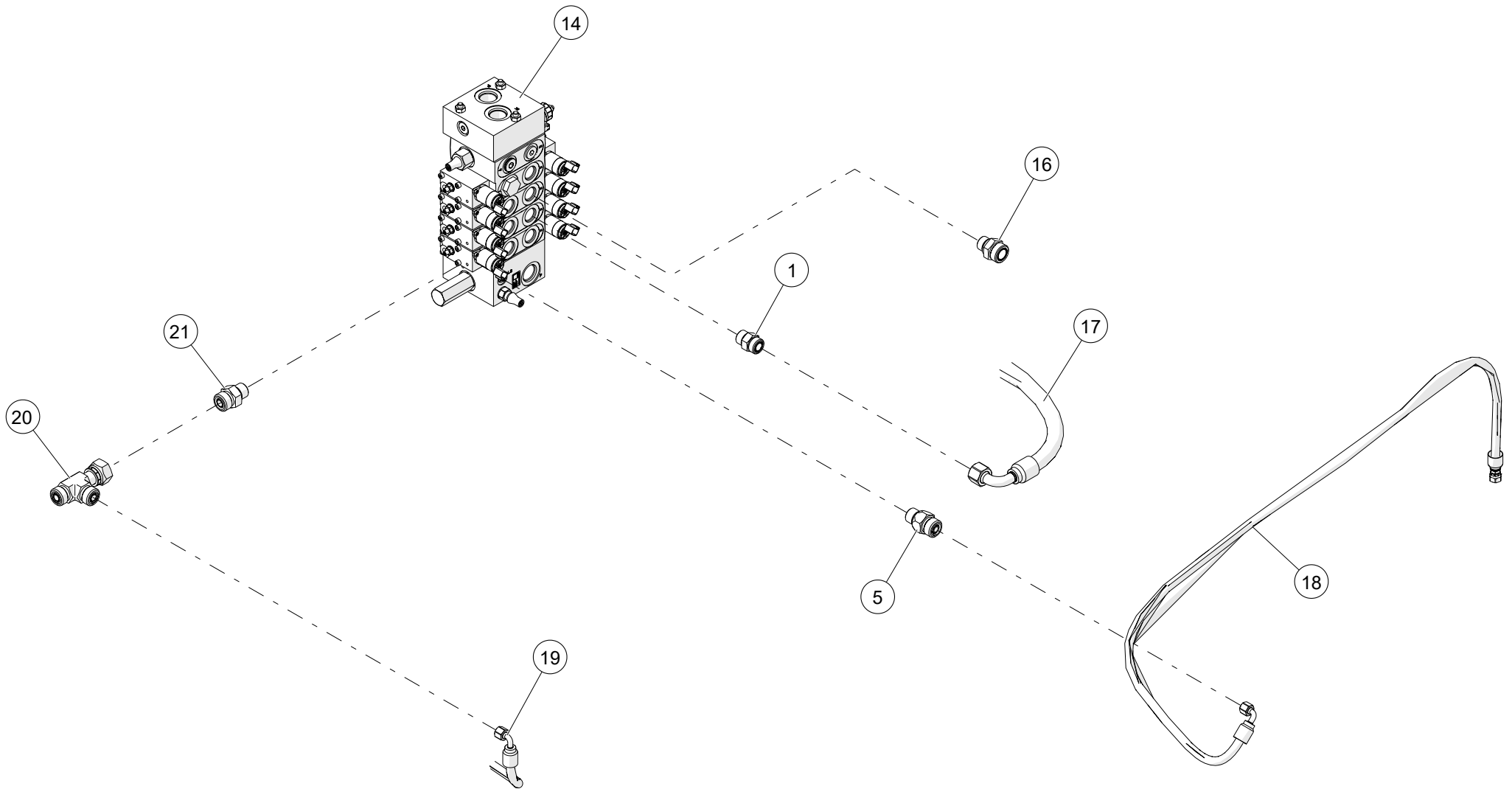


WHEN ORDERING PARTS, SPECIFY MODEL NUMBER, SERIAL NUMBER AND DESCRIPTION OF PARTS REQUIRED

9-ASSEMBLY

ITEM	PART NUMBER	DESCRIPTION	QUANTITY	NOTES
	9-ASSEMBLY	FOR REFERENCE ONLY		
1	1010088	ADAPTER, MOFS-12/MORB-12	6	
2	1028000	HOSE,-12,5000,90FOFS-12SW/FOFS-12SW,130.0	1	
3	1014023	ELBOW, 90, MOFS-16/MORB-16	2	
4	1027902	HOSE, -16, 3000, FOFS-16SW / 90FOFS-16SW, 68.0	1	
5	1008295	VALVE, ORIFICE, MOFS-6/CHECK-5/MORB-6	1	
6	1014027	ELBOW,90,MOFS-20/MORB-16	1	
7	1027945	HOSE, -20, LOW, FOFS-20SW / FOFS-20SW, 38.5	1	
8	HHCS-C313A008Z1	HEX HEAD CAP SCREW, 5/16-18 X 1 LEN, GR8, ZN, FULL THREAD	6	
9	WSH2-X3130008Z0	SAE WASHER, 5/16, GR8, ZN	6	
10	1036191	PLATE, VALVE BLOCK	1	
11	WSH1-X10C000XZ0	WASHER, M10, STEEL, ZINC PLATED	8	
12	HHCS-M10C020PZ0	HEX HEAD CAP SCREW, M10-1.5X20, C8.8	8	
13	1219-569	PLUG, SAE ORB-16	2	
14	1008343	VALVE, BOOM AND WINCH	1	
15	1019670	PLUG, HEX, ORB-12	2	
16	1010092	ADAPTER, MOFS-16/MORB-12	2	
17	1027896	HOSE, -12, 4000, FOFS-12SW / 90FOFS-12SW, 95.5	1	
18	1027892	HOSE,-6,3000,90FOFS-6SW/FOFS-6SW,90.75	1	
19	1027890	HOSE, -6, 3000, FOFS-6SW / 90FOFS-6SW, 136.5	1	
20	1018017	TEE, MOFS-6/FOFS-6/MOFS-6	1	
21	1010071	ADAPTER, MOFS-6/MORB-6	5	
22	1027908	HOSE, -16, 3000, FOFS-16SW / 90FOFS-16SW, 78.5	1	

WHEN ORDERING PARTS, SPECIFY MODEL NUMBER, SERIAL NUMBER AND DESCRIPTION OF PARTS REQUIRED

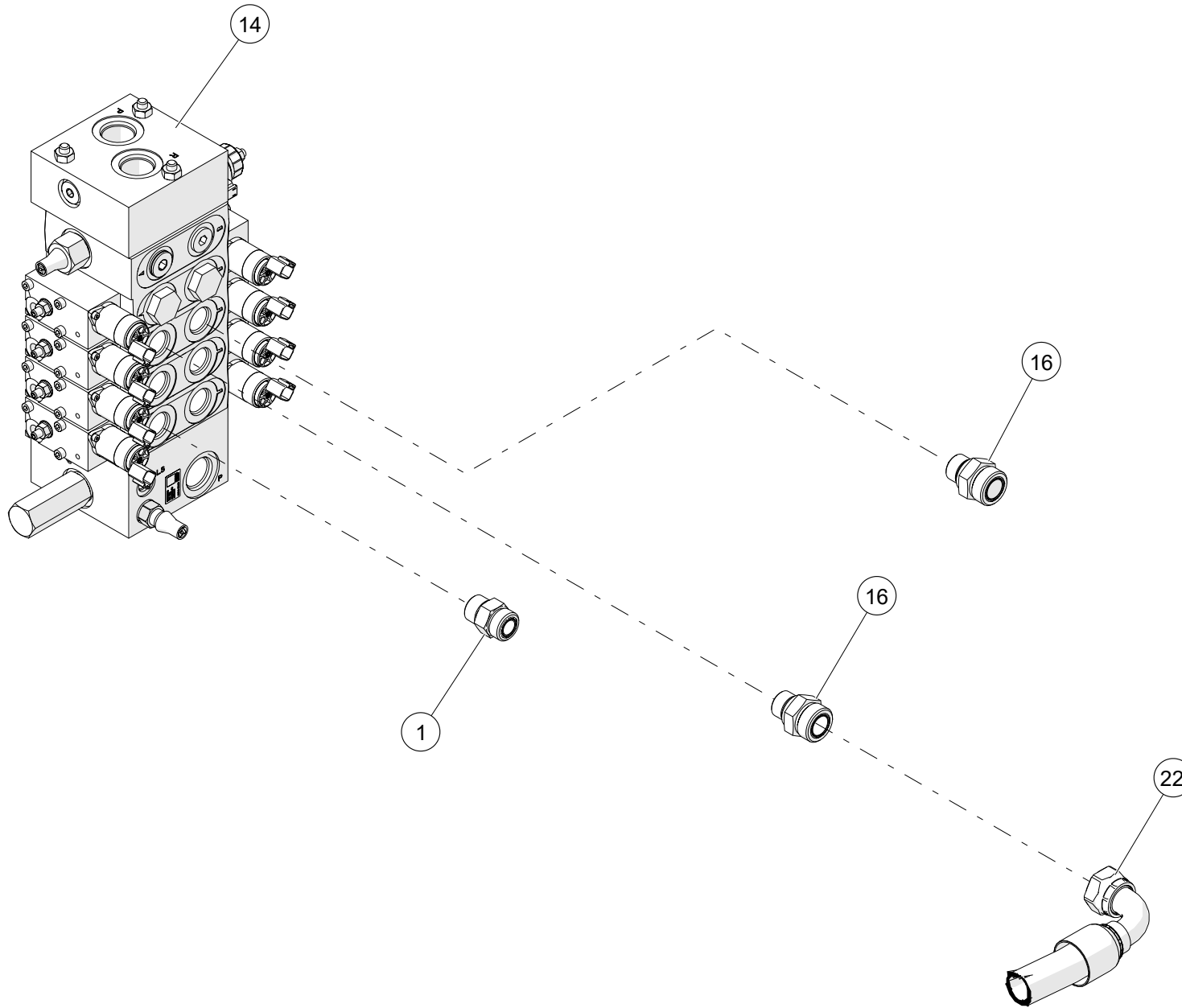


WHEN ORDERING PARTS, SPECIFY MODEL NUMBER, SERIAL NUMBER AND DESCRIPTION OF PARTS REQUIRED

9-ASSEMBLY

ITEM	PART NUMBER	DESCRIPTION	QUANTITY	NOTES
	9-ASSEMBLY	FOR REFERENCE ONLY		
1	1010088	ADAPTER, MOFS-12/MORB-12	6	
2	1028000	HOSE,-12,5000,90FOFS-12SW/FOFS-12SW,130.0	1	
3	1014023	ELBOW, 90, MOFS-16/MORB-16	2	
4	1027902	HOSE, -16, 3000, FOFS-16SW / 90FOFS-16SW, 68.0	1	
5	1008295	VALVE, ORIFICE, MOFS-6/CHECK-5/MORB-6	1	
6	1014027	ELBOW,90,MOFS-20/MORB-16	1	
7	1027945	HOSE, -20, LOW, FOFS-20SW / FOFS-20SW, 38.5	1	
8	HHCS-C313A008Z1	HEX HEAD CAP SCREW, 5/16-18 X 1 LEN, GR8, ZN, FULL THREAD	6	
9	WSH2-X3130008Z0	SAE WASHER, 5/16, GR8, ZN	6	
10	1036191	PLATE, VALVE BLOCK	1	
11	WSH1-X10C000XZ0	WASHER, M10, STEEL, ZINC PLATED	8	
12	HHCS-M10C020PZ0	HEX HEAD CAP SCREW, M10-1.5X20, C8.8	8	
13	1219-569	PLUG, SAE ORB-16	2	
14	1008343	VALVE, BOOM AND WINCH	1	
15	1019670	PLUG, HEX, ORB-12	2	
16	1010092	ADAPTER, MOFS-16/MORB-12	2	
17	1027896	HOSE, -12, 4000, FOFS-12SW / 90FOFS-12SW, 95.5	1	
18	1027892	HOSE,-6,3000,90FOFS-6SW/FOFS-6SW,90.75	1	
19	1027890	HOSE, -6, 3000, FOFS-6SW / 90FOFS-6SW, 136.5	1	
20	1018017	TEE, MOFS-6/FOFS-6/MOFS-6	1	
21	1010071	ADAPTER, MOFS-6/MORB-6	5	
22	1027908	HOSE, -16, 3000, FOFS-16SW / 90FOFS-16SW, 78.5	1	

WHEN ORDERING PARTS, SPECIFY MODEL NUMBER, SERIAL NUMBER AND DESCRIPTION OF PARTS REQUIRED



WHEN ORDERING PARTS, SPECIFY MODEL NUMBER, SERIAL NUMBER AND DESCRIPTION OF PARTS REQUIRED

9-ASSEMBLY

ITEM	PART NUMBER	DESCRIPTION	QUANTITY	NOTES
	9-ASSEMBLY	FOR REFERENCE ONLY		
1	1010088	ADAPTER, MOFS-12/MORB-12	6	
2	1028000	HOSE,-12,5000,90FOFS-12SW/FOFS-12SW,130.0	1	
3	1014023	ELBOW, 90, MOFS-16/MORB-16	2	
4	1027902	HOSE, -16, 3000, FOFS-16SW / 90FOFS-16SW, 68.0	1	
5	1008295	VALVE, ORIFICE, MOFS-6/CHECK-5/MORB-6	1	
6	1014027	ELBOW,90,MOFS-20/MORB-16	1	
7	1027945	HOSE, -20, LOW, FOFS-20SW / FOFS-20SW, 38.5	1	
8	HHCS-C313A008Z1	HEX HEAD CAP SCREW, 5/16-18 X 1 LEN, GR8, ZN, FULL THREAD	6	
9	WSH2-X3130008Z0	SAE WASHER, 5/16, GR8, ZN	6	
10	1036191	PLATE, VALVE BLOCK	1	
11	WSH1-X10C000XZ0	WASHER, M10, STEEL, ZINC PLATED	8	
12	HHCS-M10C020PZ0	HEX HEAD CAP SCREW, M10-1.5X20, C8.8	8	
13	1219-569	PLUG, SAE ORB-16	2	
14	1008343	VALVE, BOOM AND WINCH	1	
15	1019670	PLUG, HEX, ORB-12	2	
16	1010092	ADAPTER, MOFS-16/MORB-12	2	
17	1027896	HOSE, -12, 4000, FOFS-12SW / 90FOFS-12SW, 95.5	1	
18	1027892	HOSE,-6,3000,90FOFS-6SW/FOFS-6SW,90.75	1	
19	1027890	HOSE, -6, 3000, FOFS-6SW / 90FOFS-6SW, 136.5	1	
20	1018017	TEE, MOFS-6/FOFS-6/MOFS-6	1	
21	1010071	ADAPTER, MOFS-6/MORB-6	5	
22	1027908	HOSE, -16, 3000, FOFS-16SW / 90FOFS-16SW, 78.5	1	

WHEN ORDERING PARTS, SPECIFY MODEL NUMBER, SERIAL NUMBER AND DESCRIPTION OF PARTS REQUIRED

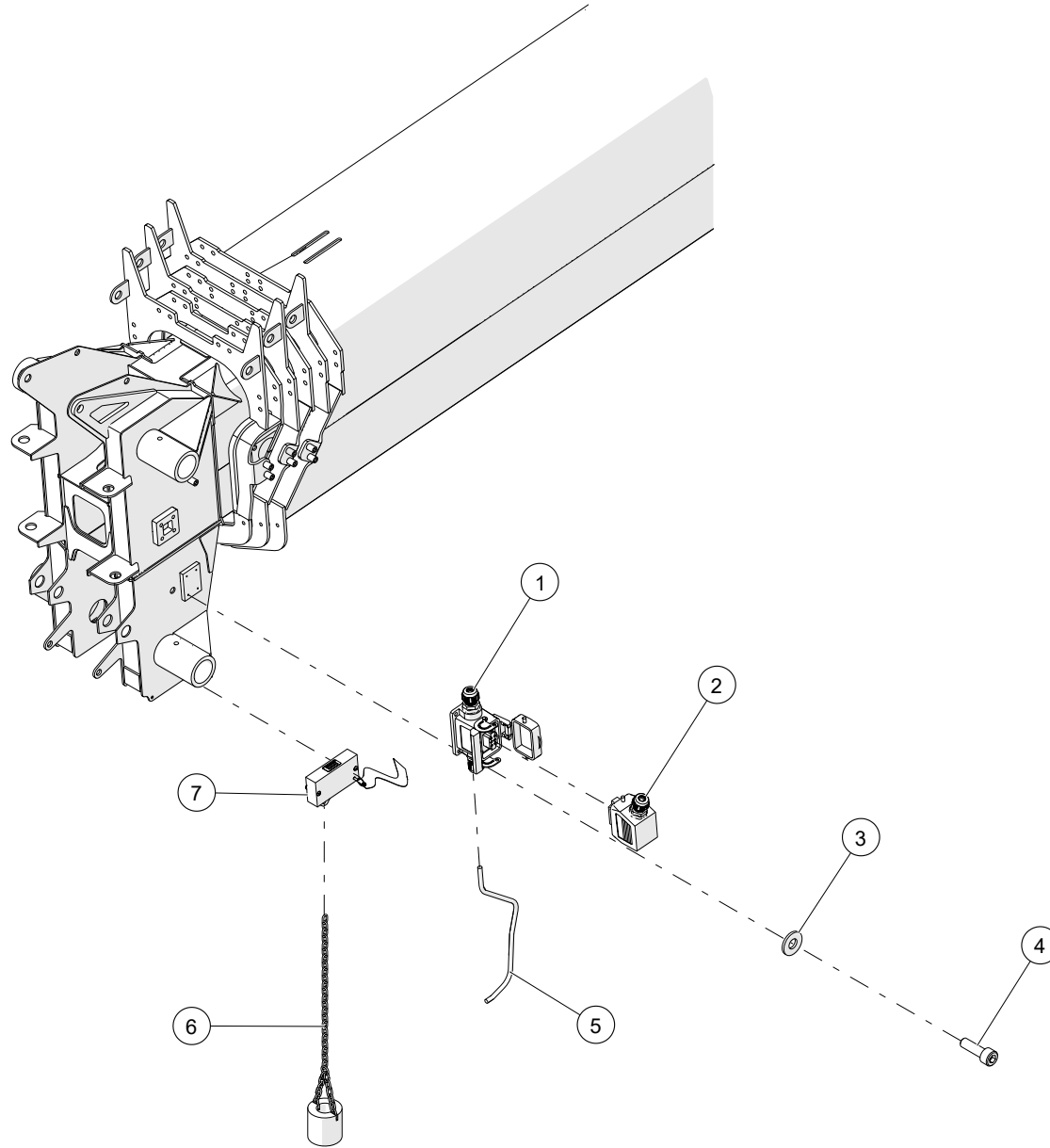
NON - ILLUSTRATED PAGE

WHEN ORDERING PARTS, SPECIFY MODEL NUMBER, SERIAL NUMBER AND DESCRIPTION OF PARTS REQUIRED

UPPER ELECTRICAL ASSEMBLY

ITEM	PART NUMBER	DESCRIPTION	QUANTITY	NOTES
	1035203	UPPER ELECTRICAL ASSEMBLY		
1	1032426	HARNES UPPER	1	
2	1223-387	HORN 12 VOLT FANFARE	1	
3	1223-770	LIGHT, TRIPLE IDENT, RED	1	
4	200B2007-13	CLAMP, SUPPORT	1	
5	N04-312C000-25	NUT, HEX 0.3125-18, ST SQC G5	1	
6	NYL-190C000-22	NUT, HEX NYL-INS 10-24,ST SQC G2	1	
7	NYL-312C000-25	NUT,HEX NYL-INS 0.312-18,ST SQC G5	1	
8	S01-312CA00-25	SCR, HHCS 0.3125-18X1.00,ST SQC G5	1	
9	SL5-190CA50-20	SCR, CREC RND MS 10-24X1.50,ST SQC	1	
10	SMF-12DM020-E8	SCR, HHCS M12-1.75X20 FT, S-S 18-8	1	
11	T106055	CABLE TIE,STUD MOUNT, 1/4-20	1	
12	T150852	BRACKET, BULKHEAD	1	
13	WAN-31NX000-20	WSH, FL TYPA-NRW 0.3125, ST SQC	1	
14	WAR-190X000-22	WSH, FL TYPA-REG 10, ST SQC G2	1	
15	WBR-31RX875-20	WSH, FL TYPB-REG 0.3125, ST SQC	1	
16	WMF-012X000-E8	WSH, FLAT M12 DIN125, S-S 18-8	1	

WHEN ORDERING PARTS, SPECIFY MODEL NUMBER, SERIAL NUMBER AND DESCRIPTION OF PARTS REQUIRED

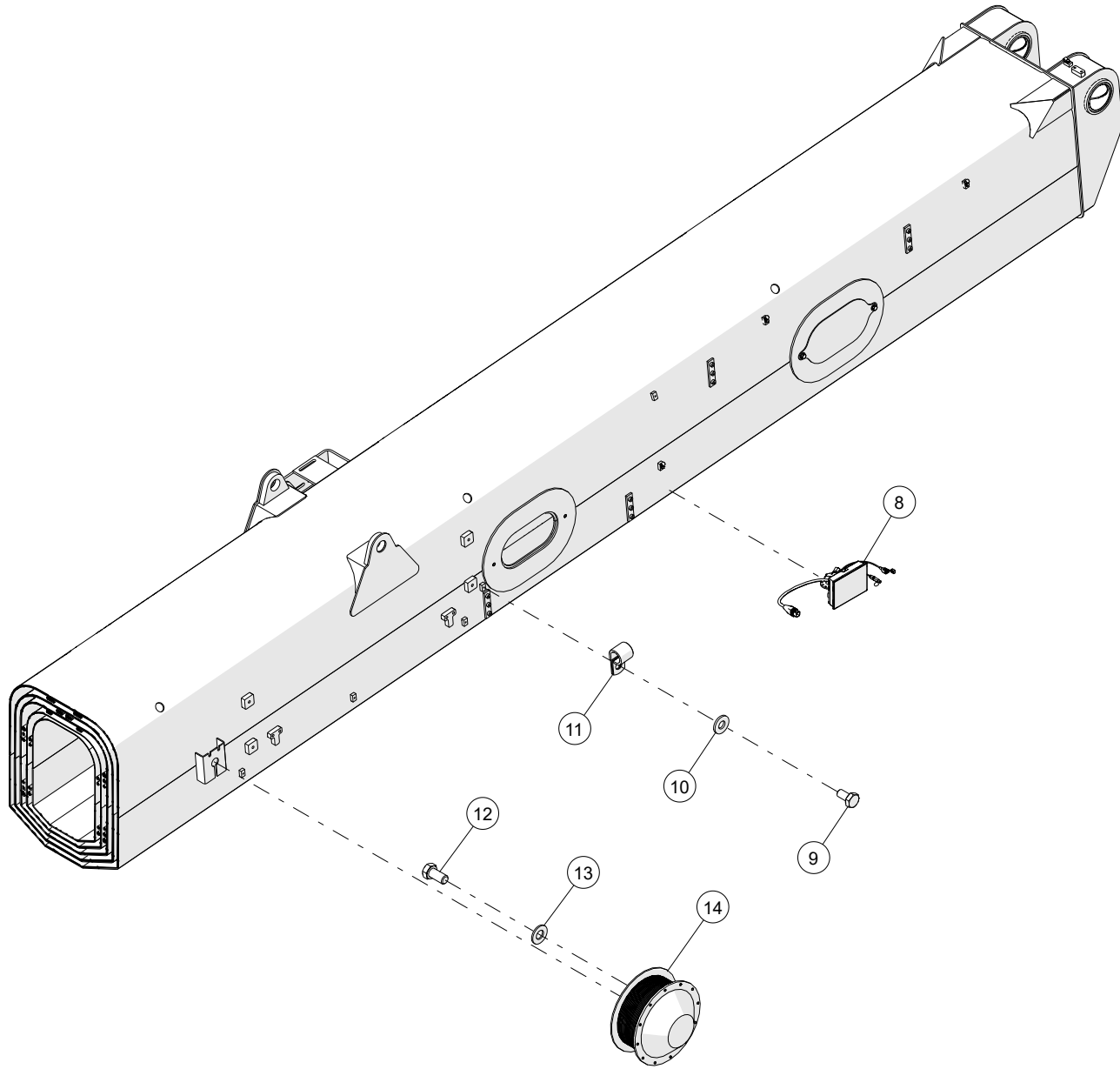


WHEN ORDERING PARTS, SPECIFY MODEL NUMBER, SERIAL NUMBER AND DESCRIPTION OF PARTS REQUIRED

LMI ASSEMBLY

ITEM	PART NUMBER	DESCRIPTION	QUANTITY	NOTES
	1035240	LMI ASSEMBLY		
1	T127374	BASE, WEIDMULLER	2	
2	T127379	HOOD, WEIDMULLER	2	
3	WSH2-X1900008Z0	SAE WASHER, #10, GR8, ZN	12	
4	SHCS-C190625AB0	SOCKET HEAD CAP SCREW, 10-24 X 5/8 LEN, BO	12	
5	1031230	PL 180 LMI CABLE 20 FT	20	
6	717-0882	CTWT W/ CHAIN	1	
7	714-0621	SWITCH, ATB	1	
8	1031331	GREER / RAM MOUNT ASSEMBLY	1	
9	HHCS-C2505005Z0	HEX HEAD CAP SCREW, 1/4-20 X 1/2 LEN, GR5, ZN	10	
10	WSH2-X2500008Z0	SAE WASHER, 1/4, GR8, ZN	10	
11	1031232	P CLAMP	10	
12	HHCS-C3757505Z0	HEX HEAD CAP SCREW, 3/8-16 X 3/4 LEN, GR5, ZN	3	
13	WSH2-X3750008Z0	SAE WASHER, 3/8, GR8, ZN	3	
14	1008421	REEL, LMI	1	
15	1031226	GREER MG6 COMPUTER	1	

WHEN ORDERING PARTS, SPECIFY MODEL NUMBER, SERIAL NUMBER AND DESCRIPTION OF PARTS REQUIRED

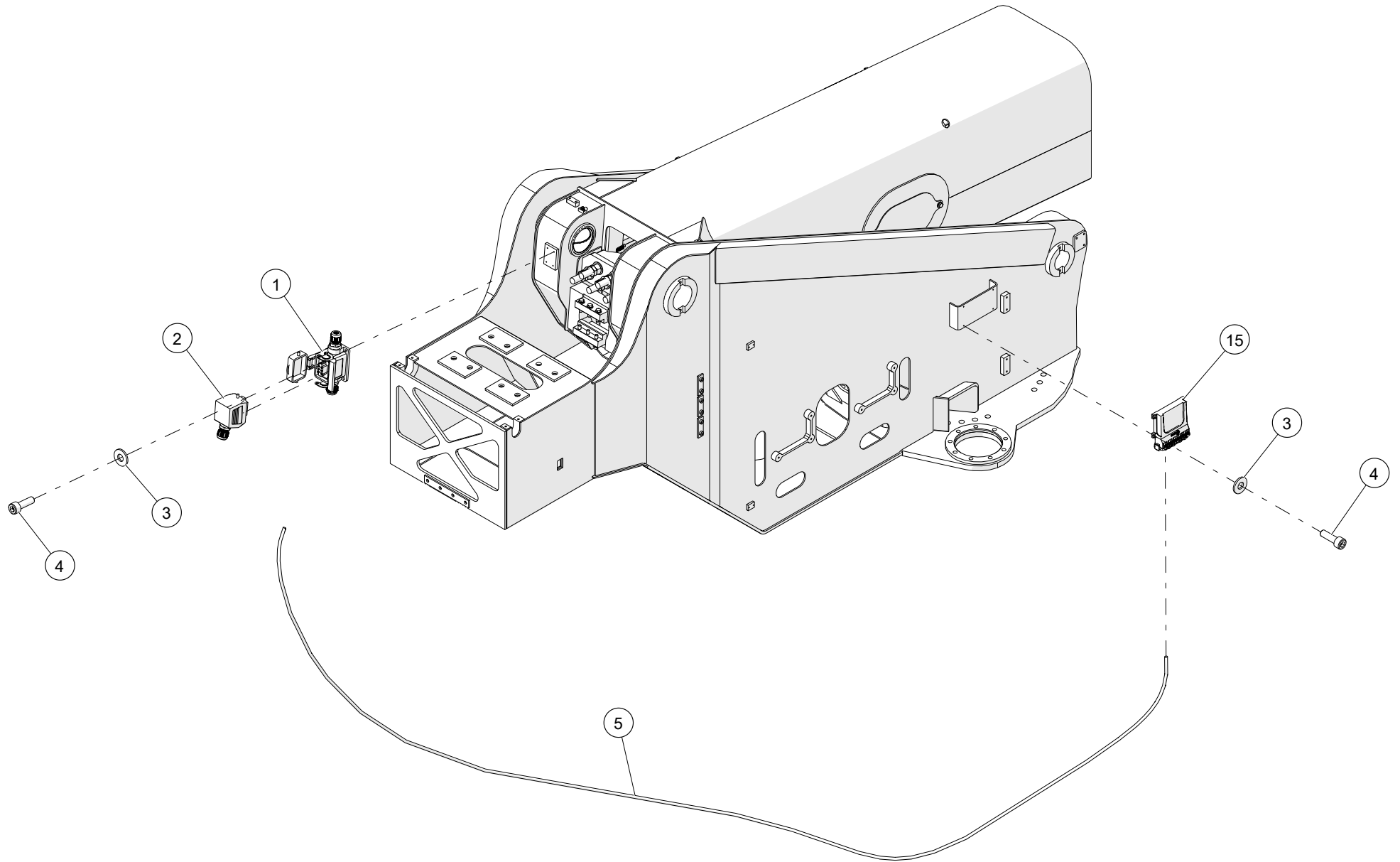


WHEN ORDERING PARTS, SPECIFY MODEL NUMBER, SERIAL NUMBER AND DESCRIPTION OF PARTS REQUIRED

LMI ASSEMBLY

ITEM	PART NUMBER	DESCRIPTION	QUANTITY	NOTES
	1035240	LMI ASSEMBLY		
1	T127374	BASE, WEIDMULLER	2	
2	T127379	HOOD, WEIDMULLER	2	
3	WSH2-X1900008Z0	SAE WASHER, #10, GR8, ZN	12	
4	SHCS-C190625AB0	SOCKET HEAD CAP SCREW, 10-24 X 5/8 LEN, BO	12	
5	1031230	PL 180 LMI CABLE 20 FT	20	
6	717-0882	CTWT W/ CHAIN	1	
7	714-0621	SWITCH, ATB	1	
8	1031331	GREER / RAM MOUNT ASSEMBLY	1	
9	HHCS-C2505005Z0	HEX HEAD CAP SCREW, 1/4-20 X 1/2 LEN, GR5, ZN	10	
10	WSH2-X2500008Z0	SAE WASHER, 1/4, GR8, ZN	10	
11	1031232	P CLAMP	10	
12	HHCS-C3757505Z0	HEX HEAD CAP SCREW, 3/8-16 X 3/4 LEN, GR5, ZN	3	
13	WSH2-X3750008Z0	SAE WASHER, 3/8, GR8, ZN	3	
14	1008421	REEL, LMI	1	
15	1031226	GREER MG6 COMPUTER	1	

WHEN ORDERING PARTS, SPECIFY MODEL NUMBER, SERIAL NUMBER AND DESCRIPTION OF PARTS REQUIRED



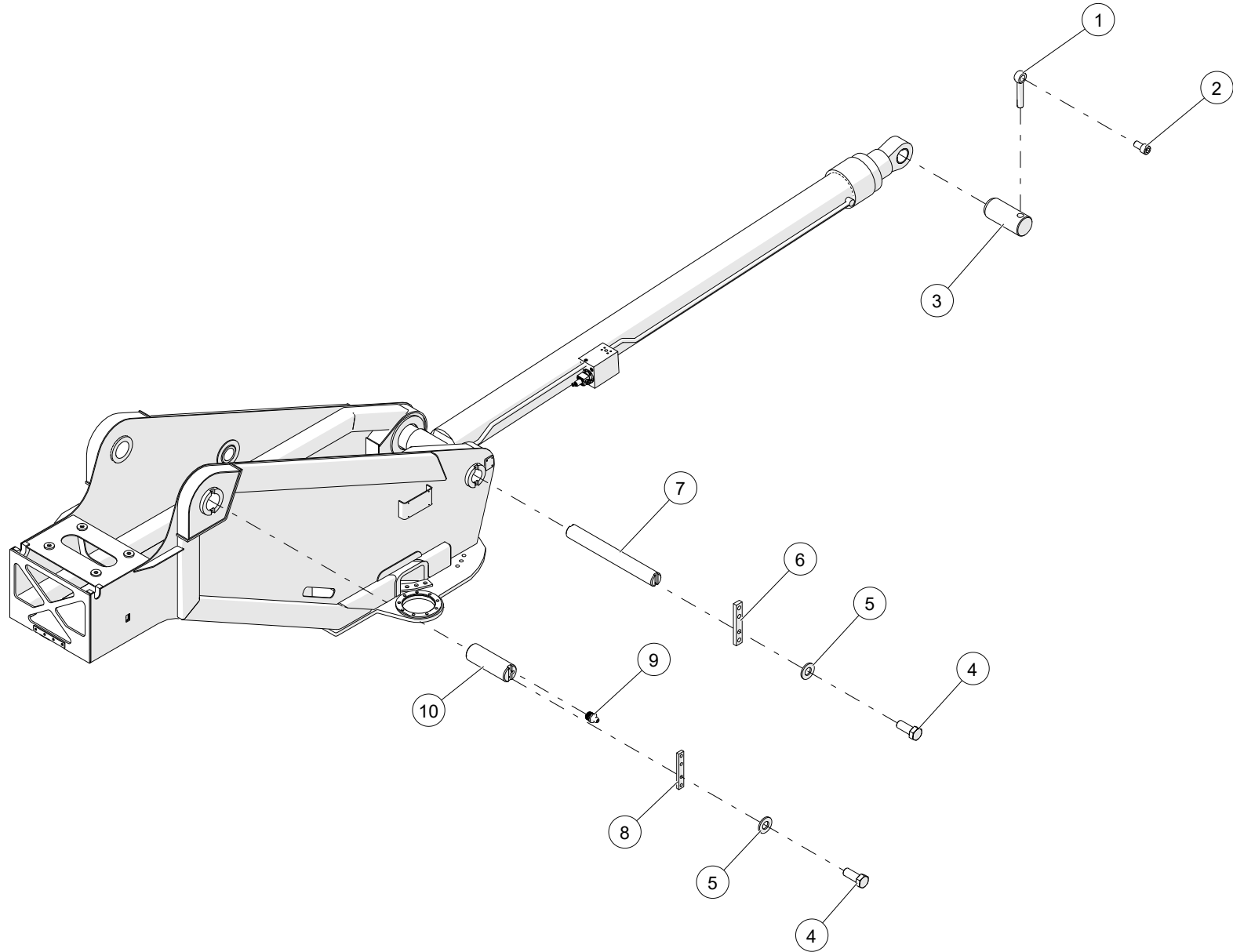
WHEN ORDERING PARTS, SPECIFY MODEL NUMBER, SERIAL NUMBER AND DESCRIPTION OF PARTS REQUIRED

LMI ASSEMBLY

ITEM	PART NUMBER	DESCRIPTION	QUANTITY	NOTES
	1035240	LMI ASSEMBLY		
1	T127374	BASE, WEIDMULLER	2	
2	T127379	HOOD, WEIDMULLER	2	
3	WSH2-X1900008Z0	SAE WASHER, #10, GR8, ZN	12	
4	SHCS-C190625AB0	SOCKET HEAD CAP SCREW, 10-24 X 5/8 LEN, BO	12	
5	1031230	PL 180 LMI CABLE 20 FT	20	
6	717-0882	CTWT W/ CHAIN	1	
7	714-0621	SWITCH, ATB	1	
8	1031331	GREER / RAM MOUNT ASSEMBLY	1	
9	HHCS-C2505005Z0	HEX HEAD CAP SCREW, 1/4-20 X 1/2 LEN, GR5, ZN	10	
10	WSH2-X2500008Z0	SAE WASHER, 1/4, GR8, ZN	10	
11	1031232	P CLAMP	10	
12	HHCS-C3757505Z0	HEX HEAD CAP SCREW, 3/8-16 X 3/4 LEN, GR5, ZN	3	
13	WSH2-X3750008Z0	SAE WASHER, 3/8, GR8, ZN	3	
14	1008421	REEL, LMI	1	
15	1031226	GREER MG6 COMPUTER	1	

WHEN ORDERING PARTS, SPECIFY MODEL NUMBER, SERIAL NUMBER AND DESCRIPTION OF PARTS REQUIRED

PIN INSTALLATION



WHEN ORDERING PARTS, SPECIFY MODEL NUMBER, SERIAL NUMBER AND DESCRIPTION OF PARTS REQUIRED

PIN INSTALLATION

ITEM	PART NUMBER	DESCRIPTION	QUANTITY	NOTES
	1033380	PIN INSTALLATION		
1	1007159	ROD END, 1/2 DIA X 6" LEN"	1	
2	SHCS-C375B00AB0	SOCKET HEAD CAP SCREW, 3/8-16 X 2 LEN, BO	1	
3	1033384	PIN, UPPER HOIST	1	
4	HHCS-C375A258Z0	HEX HEAD CAP SCREW, 3/8-16 X 1 1/4 LEN, GR8, ZN	16	
5	WSH2-X3750008Z0	SAE WASHER, 3/8, GR8, ZN	16	
6	1033391	PIN RETAINER	2	
7	1033386	PIN, LOWER HOIST	1	
8	1004649	PIN RETAINER	2	
9	1004435	GREASE ZERK, STR 1/8 PTF MALE	2	
10	1033382	PIN, BOOM PIVOT	2	

WHEN ORDERING PARTS, SPECIFY MODEL NUMBER, SERIAL NUMBER AND DESCRIPTION OF PARTS REQUIRED

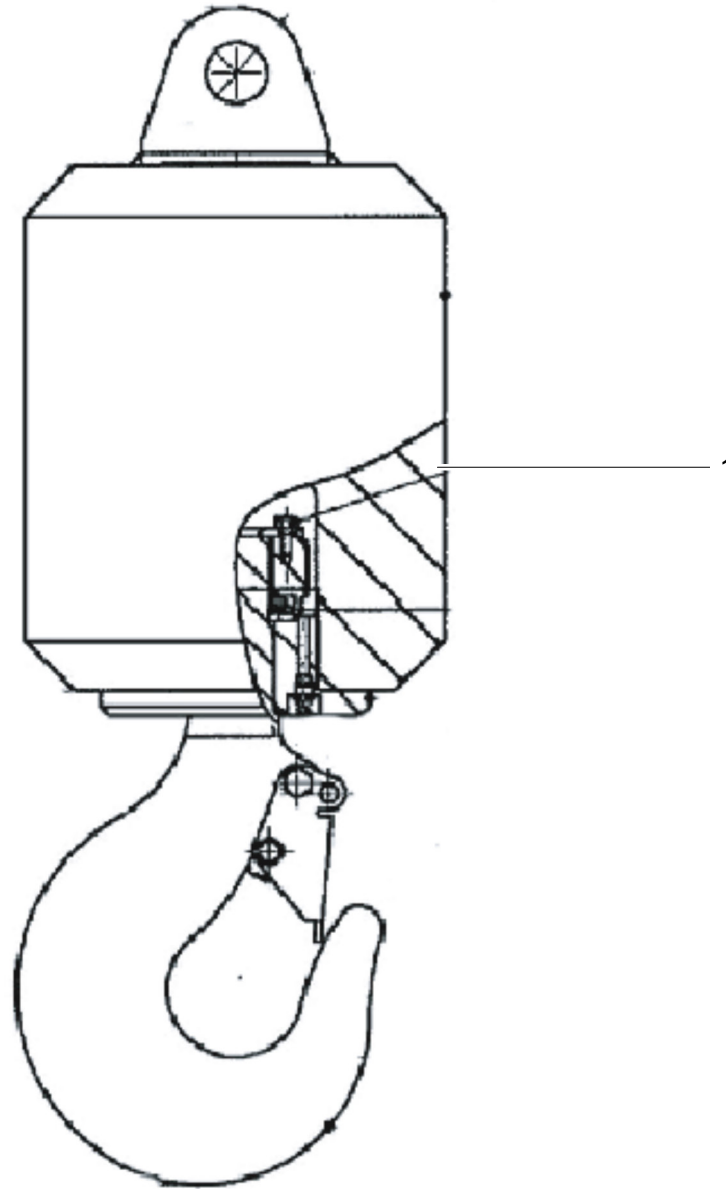
NON - ILLUSTRATED PAGE

WHEN ORDERING PARTS, SPECIFY MODEL NUMBER, SERIAL NUMBER AND DESCRIPTION OF PARTS REQUIRED

PL 180 OVERHAUL BALL OPTIONS

ITEM	PART NUMBER	DESCRIPTION	QUANTITY	NOTES
	1035134	PL 180 OVERHAUL BALL OPTION		
1	1035221	OHAUL BALL ASSY, 12 TON	1	SEE PAGE 169
2	1035222	OHAUL BALL ASSY, 8 TON	1	SEE PAGE 171

WHEN ORDERING PARTS, SPECIFY MODEL NUMBER, SERIAL NUMBER AND DESCRIPTION OF PARTS REQUIRED

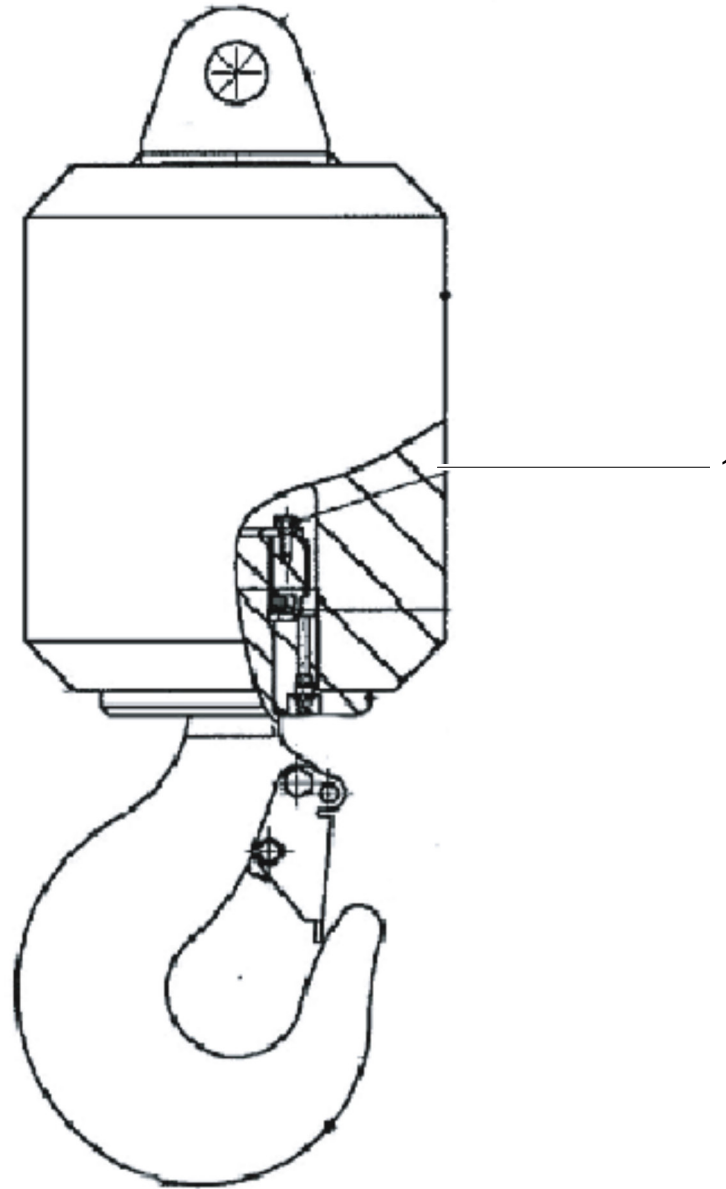


WHEN ORDERING PARTS, SPECIFY MODEL NUMBER, SERIAL NUMBER AND DESCRIPTION OF PARTS REQUIRED

OHAUL BALL ASSY, 12 TON

ITEM	PART NUMBER	DESCRIPTION	QUANTITY	NOTES
	1035221	OHAUL BALL ASSY, 12 TON		
1	1034584	BALL, OHAUL, 12T, 286LBS, 5/8IN	1	

WHEN ORDERING PARTS, SPECIFY MODEL NUMBER, SERIAL NUMBER AND DESCRIPTION OF PARTS REQUIRED



WHEN ORDERING PARTS, SPECIFY MODEL NUMBER, SERIAL NUMBER AND DESCRIPTION OF PARTS REQUIRED

OHAUL BALL ASSY, 8 TON

ITEM	PART NUMBER	DESCRIPTION	QUANTITY	NOTES
	1035222	OHAUL BALL ASSY, 8 TON		
1	1034583	BALL, OHAUL, 8T, 220LBS, 5/8IN	1	

WHEN ORDERING PARTS, SPECIFY MODEL NUMBER, SERIAL NUMBER AND DESCRIPTION OF PARTS REQUIRED

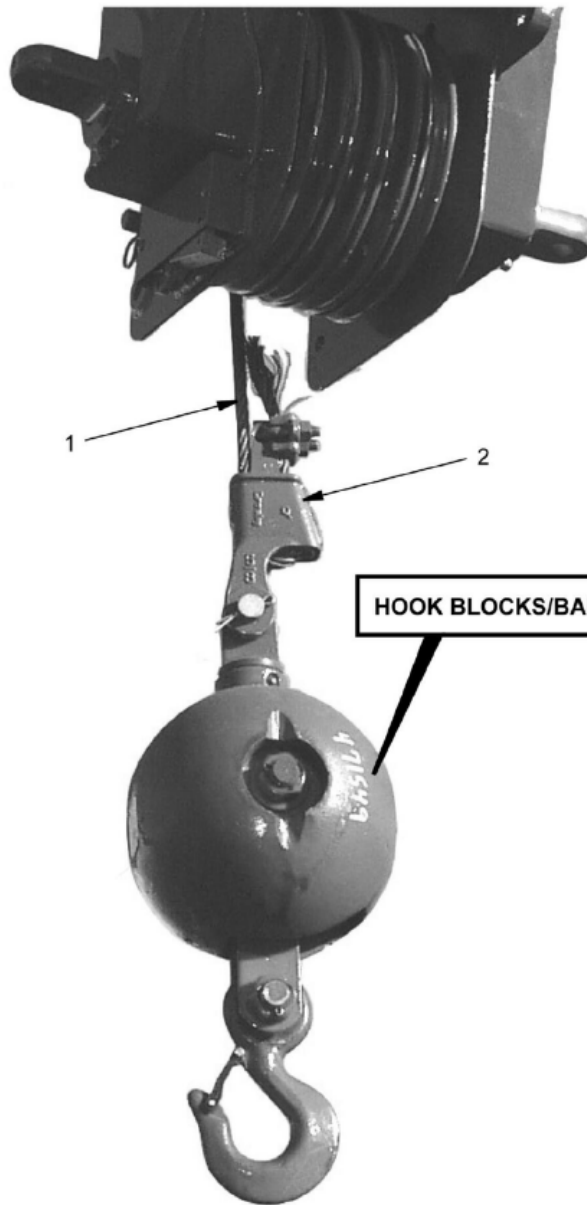
NON - ILLUSTRATED PAGE

WHEN ORDERING PARTS, SPECIFY MODEL NUMBER, SERIAL NUMBER AND DESCRIPTION OF PARTS REQUIRED

XO MAIN WINCH CABLE OPTIONS

ITEM	PART NUMBER	DESCRIPTION	QUANTITY	NOTES
	1032739	XO MAIN WINCH CABLE OPTIONS		
1	1029871	ROTATE-RESIST CABLE 5/8 X 500	1	SEE PAGE 175
2	717A0841	STANDARD CABLE 5/8 X 500	1	SEE PAGE 181

WHEN ORDERING PARTS, SPECIFY MODEL NUMBER, SERIAL NUMBER AND DESCRIPTION OF PARTS REQUIRED



UNDER NO CONDITION CAN ANY OTHER SIZE, TYPE, OR LENGTH OF WIRE ROPE BE USED ON THIS EQUIPMENT SINCE IT CONSTITUTES A SAFETY HAZARD.

- WIRE ROPE -
Standard Wire Rope
5/8" - 35,800 Lbs. Minimum Breaking Strength

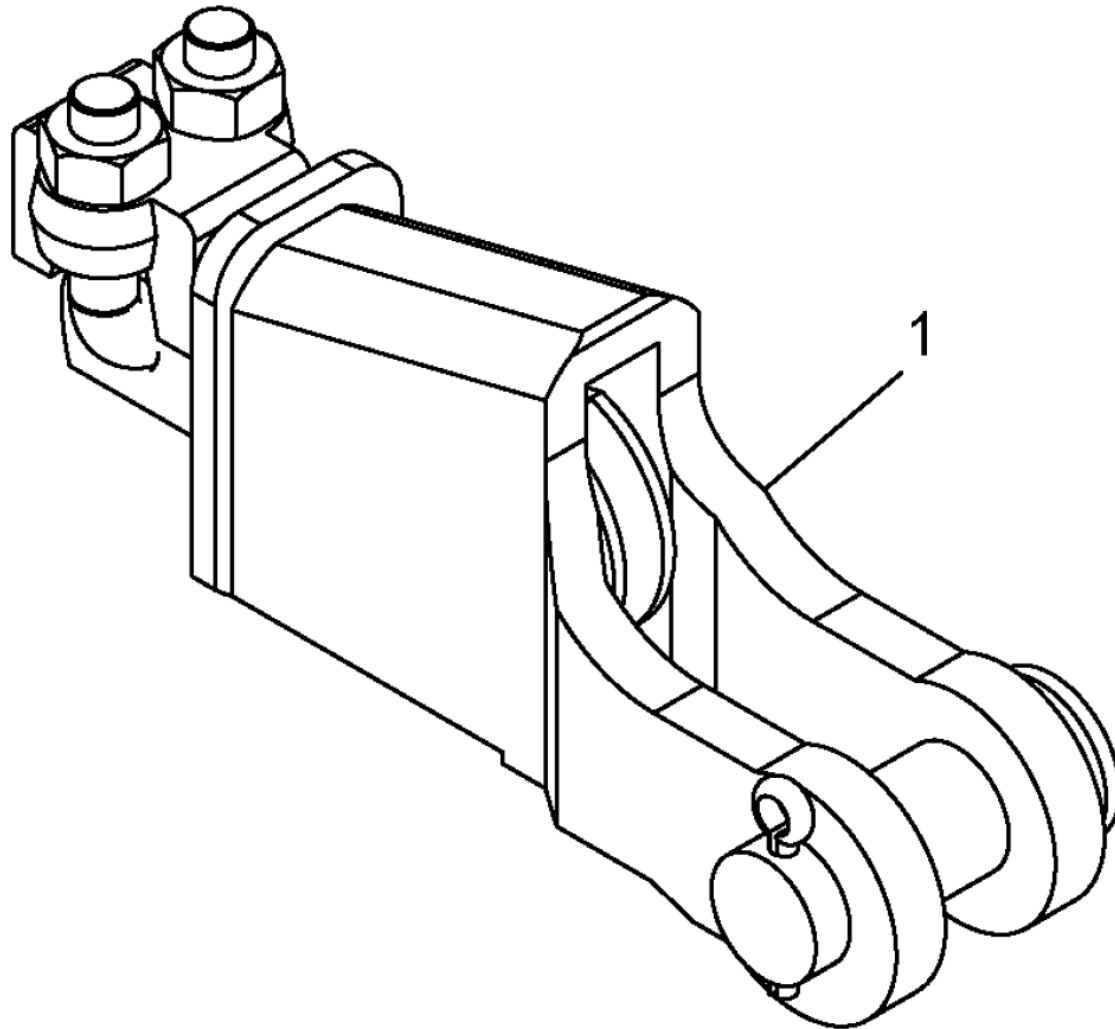
- WIRE ROPE - OPTIONAL
Rotation Resistant Wire Rope
5/8" - 45,400 Lbs. Minimum Breaking Strength

WHEN ORDERING PARTS, SPECIFY MODEL NUMBER, SERIAL NUMBER AND DESCRIPTION OF PARTS REQUIRED

ROTATE-RESIST CABLE 5/8 X 500

ITEM	PART NUMBER	DESCRIPTION	QUANTITY	NOTES
	1029871	ROTATE-RESIST CABLE 5/8 X 500		
1	1029872	WIRE ROPE 5/8 X 500 NON ROTATE	1	
2	709A6192	WEDGE 5/8 MAIN/AUX -CABLE	1	SEE PAGE 177

WHEN ORDERING PARTS, SPECIFY MODEL NUMBER, SERIAL NUMBER AND DESCRIPTION OF PARTS REQUIRED

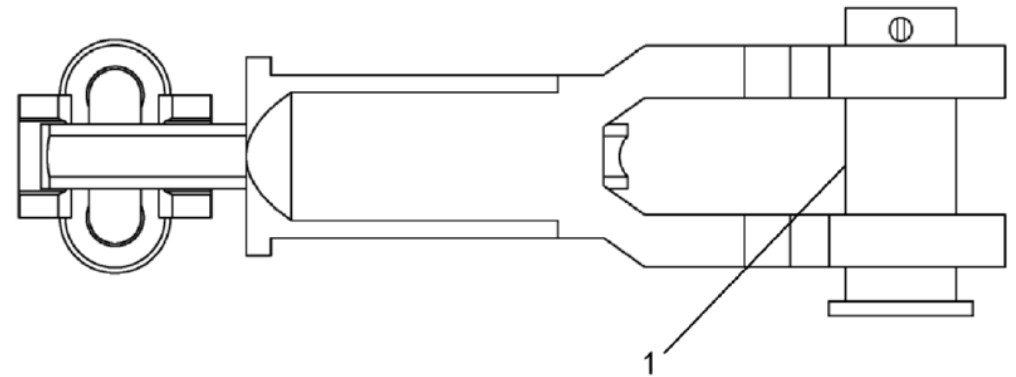
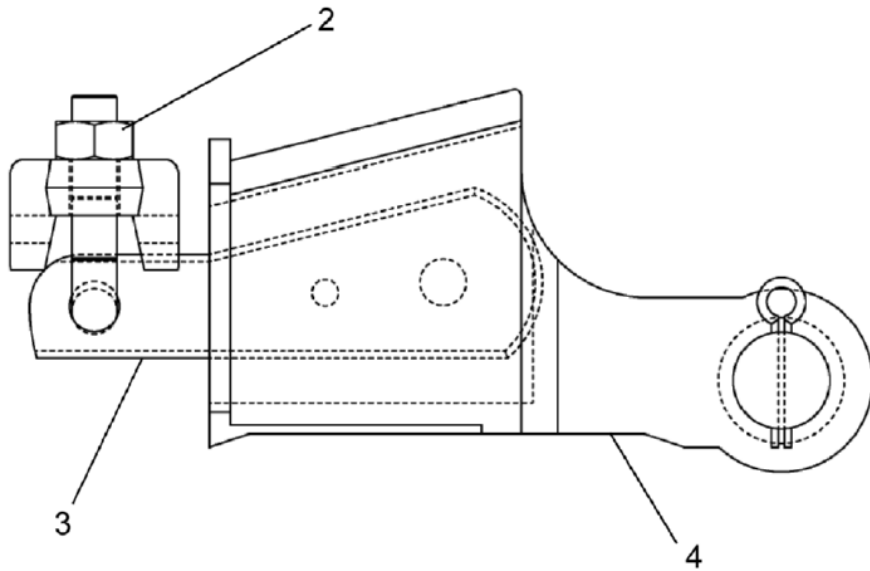


WHEN ORDERING PARTS, SPECIFY MODEL NUMBER, SERIAL NUMBER AND DESCRIPTION OF PARTS REQUIRED

WEDGE 5/8 MAIN/AUX -CABLE

ITEM	PART NUMBER	DESCRIPTION	QUANTITY	NOTES
	709A6192	WEDGE 5/8 MAIN/AUX -CABLE		
1	1234-43	WEDGE & SOCKET, 5/8 INCH	1	SEE PAGE 179

WHEN ORDERING PARTS, SPECIFY MODEL NUMBER, SERIAL NUMBER AND DESCRIPTION OF PARTS REQUIRED

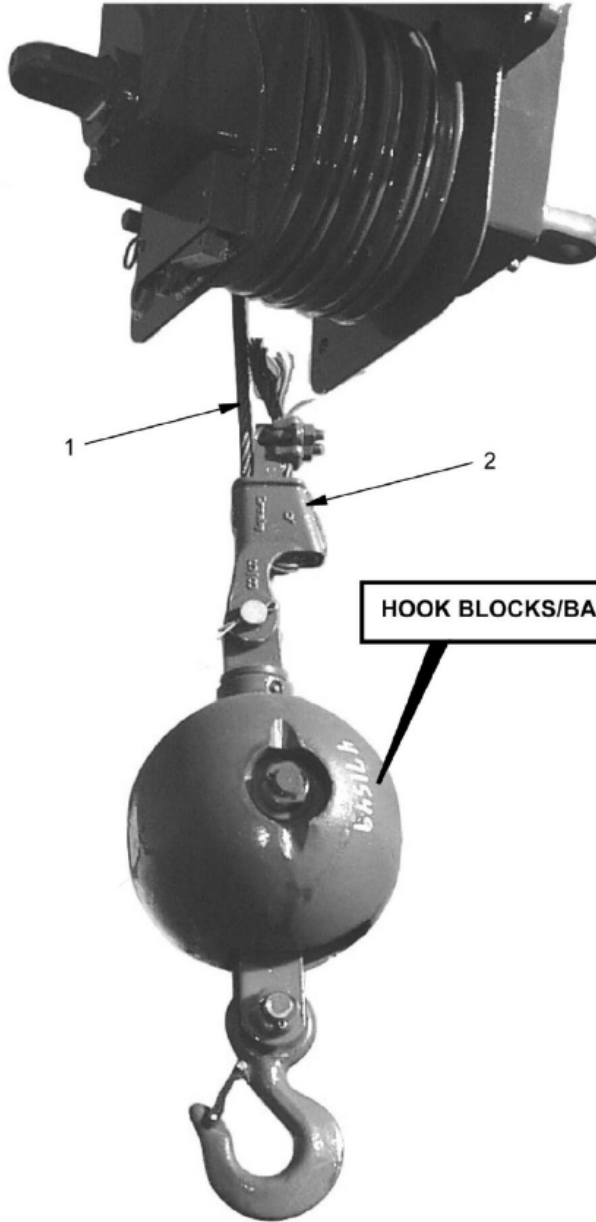


WHEN ORDERING PARTS, SPECIFY MODEL NUMBER, SERIAL NUMBER AND DESCRIPTION OF PARTS REQUIRED

WEDGE & SOCKET, 5/8 INCH

ITEM	PART NUMBER	DESCRIPTION	QUANTITY	NOTES
	1234-43	WEDGE & SOCKET, 5/8 INCH		
1	T143912	BOLT & COTTER 5/8" ROPE	1	
2	1240-45	CLAMP "U" BOLT TYPE 5/8 CABLE	1	
3	1234-19	WEDGE	1	
4	1234-18	SOCKET	1	

WHEN ORDERING PARTS, SPECIFY MODEL NUMBER, SERIAL NUMBER AND DESCRIPTION OF PARTS REQUIRED



UNDER NO CONDITION CAN ANY OTHER SIZE, TYPE, OR LENGTH OF WIRE ROPE BE USED ON THIS EQUIPMENT SINCE IT CONSTITUTES A SAFETY HAZARD.

- WIRE ROPE -
Standard Wire Rope
5/8" - 35,800 Lbs. Minimum Breaking Strength

- WIRE ROPE - OPTIONAL
Rotation Resistant Wire Rope
5/8" - 45,400 Lbs. Minimum Breaking Strength

WHEN ORDERING PARTS, SPECIFY MODEL NUMBER, SERIAL NUMBER AND DESCRIPTION OF PARTS REQUIRED

STANDARD CABLE 5/8 X 500

ITEM	PART NUMBER	DESCRIPTION	QUANTITY	NOTES
	717A0841	STANDARD CABLE 5/8 X 500		
1	12151-500	WIRE ROPE 5/8X500'6X19 IWRC XIPS PERF RH REG LAY 20.6T BRK	1	
2	709A6192	WEDGE 5/8 MAIN/AUX -CABLE	1	SEE PAGE 177

WHEN ORDERING PARTS, SPECIFY MODEL NUMBER, SERIAL NUMBER AND DESCRIPTION OF PARTS REQUIRED

NON - ILLUSTRATED PAGE

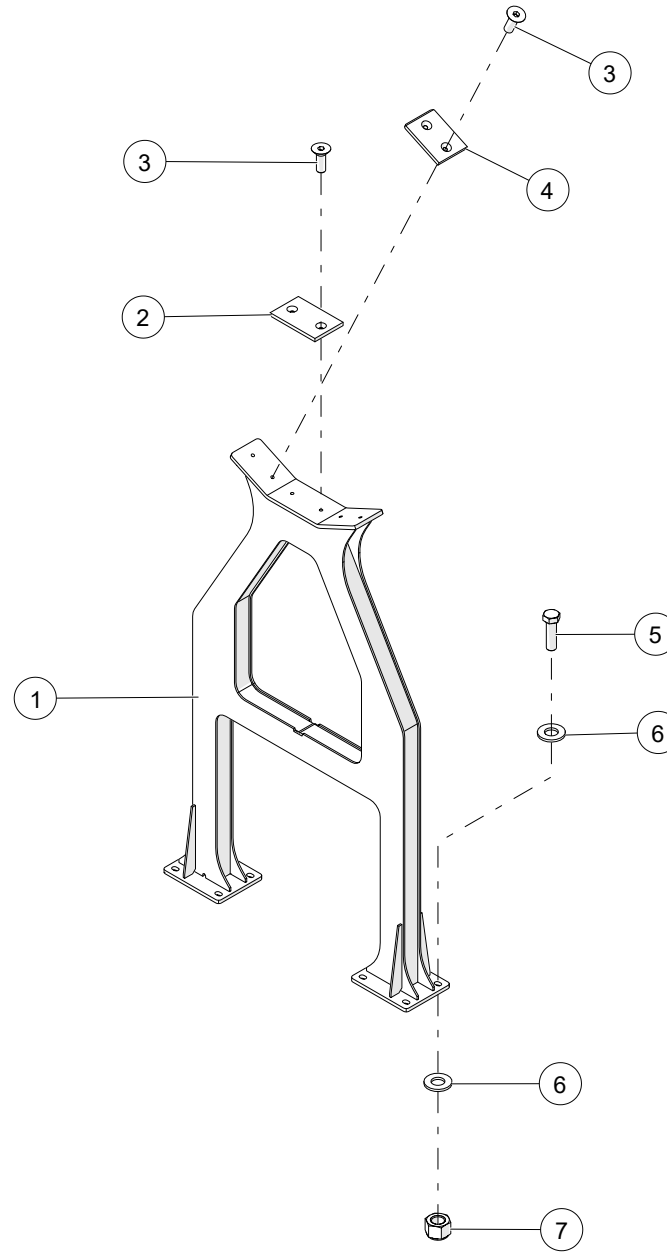
WHEN ORDERING PARTS, SPECIFY MODEL NUMBER, SERIAL NUMBER AND DESCRIPTION OF PARTS REQUIRED

ROPE OPTIONS

ITEM	PART NUMBER	DESCRIPTION	QUANTITY	NOTES
	1032741	ROPE OPTIONS		
1	1029871	ROTATE-RESIST CABLE 5/8 X 500	1	SEE PAGE 175
2	717A0841	STANDARD CABLE 5/8 X 500	1	SEE PAGE 181

WHEN ORDERING PARTS, SPECIFY MODEL NUMBER, SERIAL NUMBER AND DESCRIPTION OF PARTS REQUIRED

BOOM REST INSTALLATION



WHEN ORDERING PARTS, SPECIFY MODEL NUMBER, SERIAL NUMBER AND DESCRIPTION OF PARTS REQUIRED

BOOM REST INSTALLATION

ITEM	PART NUMBER	DESCRIPTION	QUANTITY	NOTES
	1029840	BOOM REST INSTALLATION		
1	1029835	WELDMENT, BOOM REST	1	
2	1029841	WEAR, BOOM REST BASE	1	
3	SH02-C500750M17B0	SHCS C'SUNK HEAD, 10-24 X 9/16 LEN, ZINC	6	
4	1029842	WEAR, BOOM REST SIDE	2	
5	HHCS-C625B00M03Z0	HEX HEAD CAP SCREW, 1/2-13 X 1 3/4 LEN, GR5, ZINC	8	
6	WSH2-X3130008Z0	SAE WASHER, 5/16, GR8, ZN	16	
7	NUT3-C625000M06Z0	NYLON LOCK NUT, 5/8-11, GR8, ZINC	8	

WHEN ORDERING PARTS, SPECIFY MODEL NUMBER, SERIAL NUMBER AND DESCRIPTION OF PARTS REQUIRED

NON - ILLUSTRATED PAGE

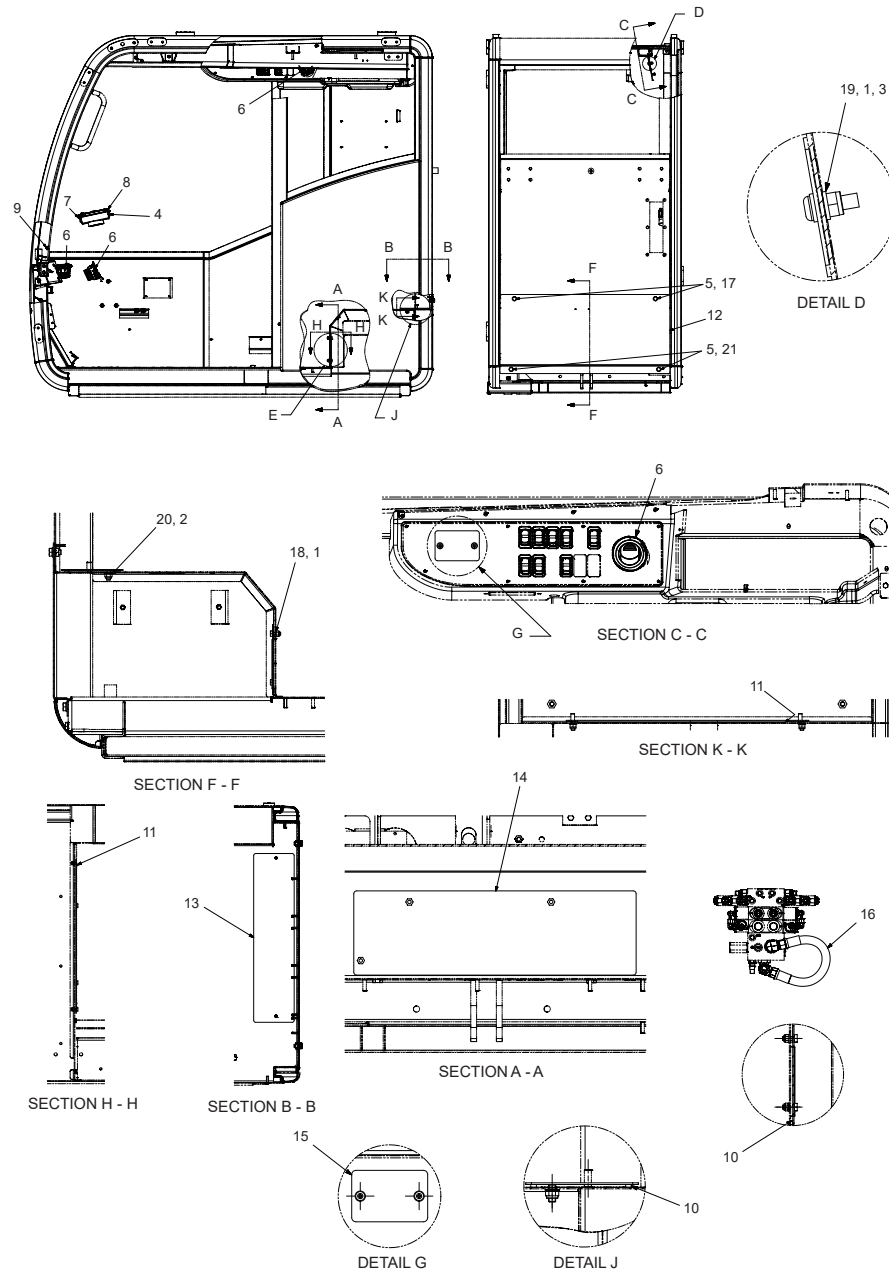
WHEN ORDERING PARTS, SPECIFY MODEL NUMBER, SERIAL NUMBER AND DESCRIPTION OF PARTS REQUIRED

CROSSOVER CONTROLS

ITEM	PART NUMBER	DESCRIPTION	QUANTITY	NOTES
	1031357	CROSSOVER CONTROLS		
1	1027049	IQAN MD4 10" DISPLAY	1	
2	1027050	IQAN MC43 I/O	3	
3	1027051	HMI 2X4 KEYPAD RIGHT	1	
4	1027052	GS LH JOYSTICK	1	
5	1027053	GS RH JOYSTICK	1	
6	1027054	GS LIGHT BAR	1	
7	1027055	EATON CAN RELAY MRFRM	1	
8	1027056	2X2 FBO KEYPAD	1	
9	1027057	IQAN G11 BLUETOOTH ADAPTER	1	
10	1027058	P&G LEVEL SENSOR	1	
11	1027213	GS BUZZER WITH RESISTOR	1	
12	1031326	DUAL USB CHARGE PORT	1	
13	1031327	BINDING POSTS	1	
14	1031328	IP 120 CAMERA	1	
15	1031329	HMI 2X4 KEYPAD LEFT	1	
16	1032556	LEFT AXIOMATIC JOYSTICK THUMPER	1	
17	1032776	RIGHT AXIOMATIC JOYSTICK THUMPER	1	
18	1034075	M12 CABLE	1	

WHEN ORDERING PARTS, SPECIFY MODEL NUMBER, SERIAL NUMBER AND DESCRIPTION OF PARTS REQUIRED

CAB COVERS - NO HEATER OPTION



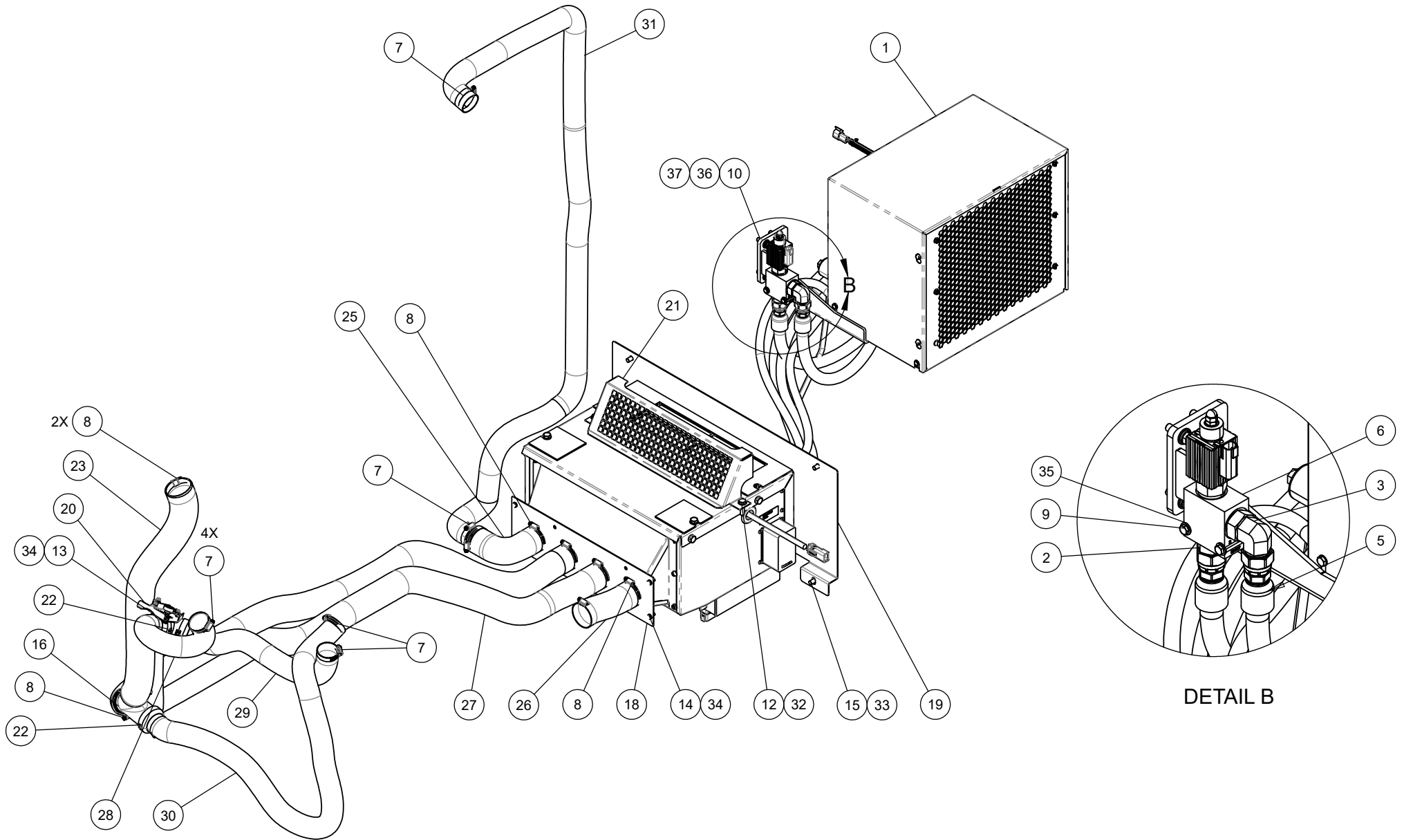
WHEN ORDERING PARTS, SPECIFY MODEL NUMBER, SERIAL NUMBER AND DESCRIPTION OF PARTS REQUIRED

CAB COVERS - NO HEATER OPTION

ITEM	PART NUMBER	DESCRIPTION	QUANTITY	NOTES
	1027154	CAB COVERS - NO HEATER OPTION		
1	NYM-06AM000-Y8	HEX NUT, NYLON INSERT METRIC	5	
2	NYM-08BM000-Y8	HEX NUT, NYLON INSERT METRIC	2	
3	S46-06AM020-B0	BHSHCS, M6 -1.0 X 20, BLK OX, C8.8	2	
4	SL3-190XA00-20	SCREW, SHEET METAL # 10 - 12, STZ	2	
5	SMF-10CM018-28	SCR, HHCS M10- 1.5 X 18 FT, ST Z 8.8	4	
6	T111895	VENT, CIRCULAR LOUVERED	3	
7	T111908	ADAPTER, HOSE - RECTANGULAR VENT	1	
8	T111909	VENT, LOUVERED RECTANGULAR	1	
9	T111910	VENT, DEFROST	3	
10	T118275-18	FOAM, RUBBER STRIP	4	
11	T118275-4	FOAM, RUBBER STRIP	4	
12	T135300	COVER, CAB REAR	1	
13	T135303	COVER, TOP OPENING	1	
14	T135304	COVER, FRONT OPENING	1	
15	T135305	PLATE, COVER	1	
16	T158623	HOSE, -12, 150, FJIC-12SW/FOFS-12SW, 500	1	
17	WMF-010X000-20	WSH, FLAT M10 DIN125, ST Z	2	
18	WMF-60MX000-20	WSH, FLAT M6 DIN125, ST SQC	3	
19	WMF-60MX000-BX	WSH, FLAT M6 DIN125, STL BLK OX	4	
20	WMF-80MX000-20	WSH, FLAT M8 DIN125, ST Z	2	
21	WMH-010X000-P0	WSH, FLAT, HARD M10 D125, STL	2	

WHEN ORDERING PARTS, SPECIFY MODEL NUMBER, SERIAL NUMBER AND DESCRIPTION OF PARTS REQUIRED

DELUXE AC AND FLAMELESS HEATER



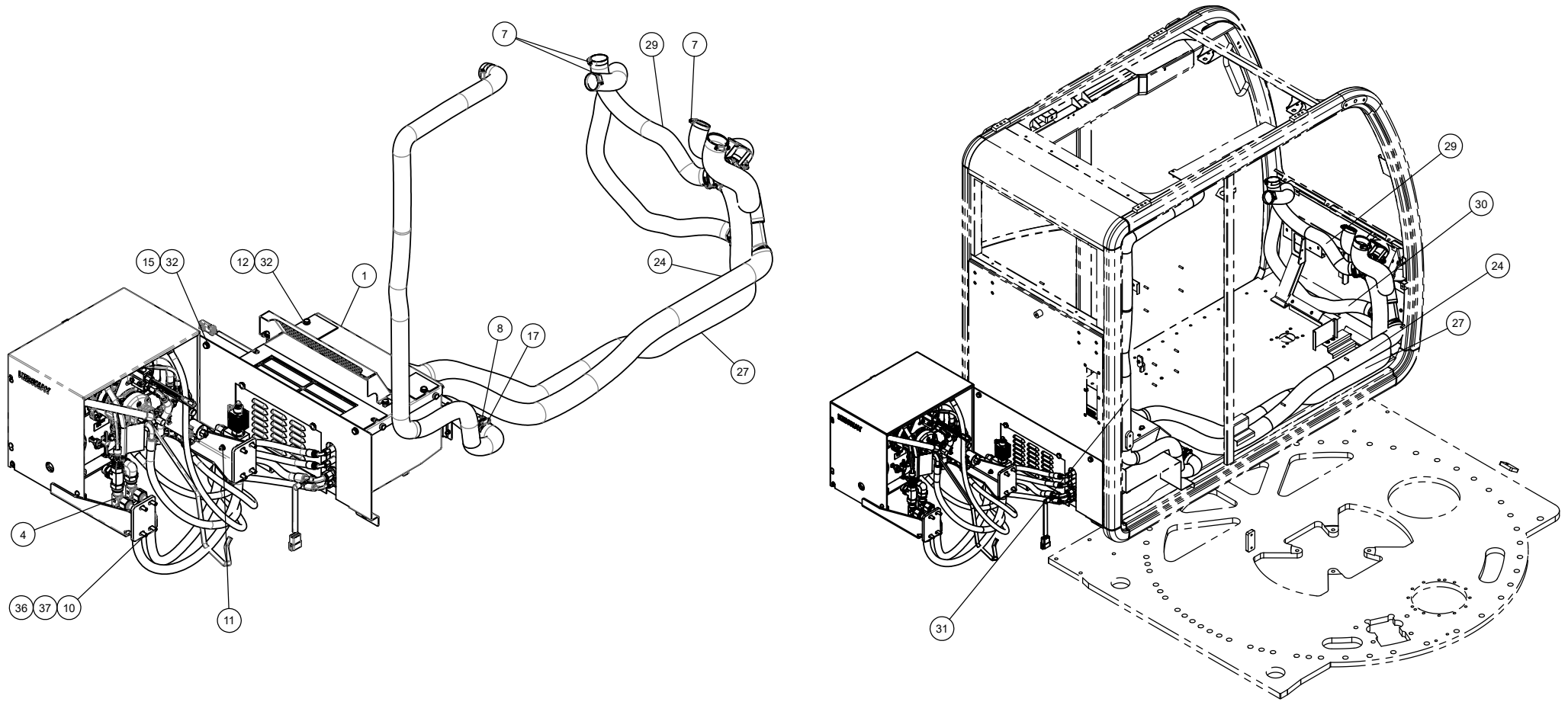
WHEN ORDERING PARTS, SPECIFY MODEL NUMBER, SERIAL NUMBER AND DESCRIPTION OF PARTS REQUIRED

DELUXE AC AND FLAMELESS HEATER

ITEM	PART NUMBER	DESCRIPTION	QUANTITY	NOTES
	1032800	DELUXE AC AND FLAMELESS HEATER		
1	1008363	HVAC KIT	1	SEE PAGE 195
2	1010088	ADAPTER, MOFS-12/MORB-12	1	
3	1014019	ELBOW, 90, MOFS-12/MORB-12	1	
4	1018023	TEE, MOFS-12/FOFS-12/MOFS-12	2	
5	1027988	HOSE, -12, 3000, FOFS-12SW / 90FOFS-12SW, 32.75	2	
6	1036581	VALVE, 2-WAY	1	
7	1240-28	CLAMP, WORM DRIVE, -24	8	
8	1240-97	2.5" ID - CLAMP, WORM DRIVE	10	
9	HHCS-C250B508R0	HEX HEAD CAP SCREW, 1/4-20 X 2 1/2 LEN, GR8, NF	2	
10	HHCS-C375A258Z0	HEX HEAD CAP SCREW, 3/8-16 X 1 1/4 LEN, GR8, ZN	8	
11	NUT3-C2500008Z0	NYLON LOCK NUT, 1/4-20, GR8, ZN	2	
12	S07-10CM035-28	SCR,HHCS M10-1.5X35 PT,ST SQC C8.8	4	
13	SMF-06AM012-28	SCR, HHCS M6-1X12 FT, ST SQC C8.8	1	
14	SMF-06AM016-28	SCR, HHCS M6-1X16 FT, ST SQC C8.8	4	
15	SMF-10CM018-28	SCR, HHCS M10-1.5X18 FT,ST SQC C8.8	4	
16	T111896	ADAPTER, Y, HVAC	1	
17	T112359	REDUCER, HVAC, 2.5-2	1	
18	T126121	PLATE, HVAC ADAPTER	1	

WHEN ORDERING PARTS, SPECIFY MODEL NUMBER, SERIAL NUMBER AND DESCRIPTION OF PARTS REQUIRED

DELUXE AC AND FLAMELESS HEATER

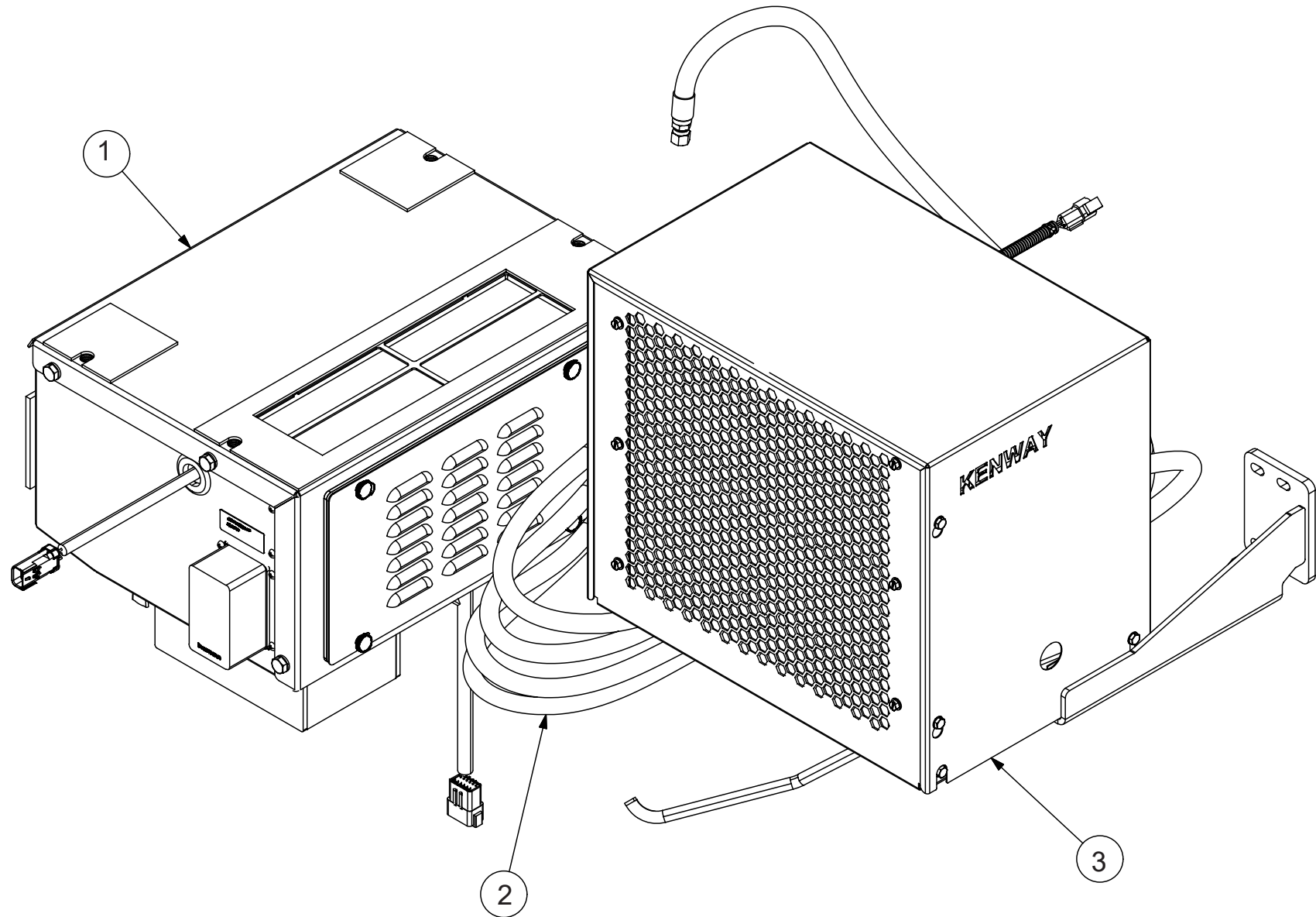


WHEN ORDERING PARTS, SPECIFY MODEL NUMBER, SERIAL NUMBER AND DESCRIPTION OF PARTS REQUIRED

DELUXE AC AND FLAMELESS HEATER

ITEM	PART NUMBER	DESCRIPTION	QUANTITY	NOTES
	1032800	DELUXE AC AND FLAMELESS HEATER		
19	T126251	COVER, CAB REAR	1	
20	T126347	DAMPER, INLINE "Y"	1	
21	T126350	PANEL, RECIRC	1	
22	T126413	REDUCER, HVAC. 2.5-2	3	
23	T135435-30	HOSE, HVAC VENT, 2.5IN ID	1	
24	T135435-60	HOSE, HVAC VENT, 2.5IN ID	1	
25	T135435-7.88-01	HOSE, HVAC VENT, 2.5IN ID	1	
26	T135435-7.88-02	HOSE, HVAC VENT, 2.5IN ID	1	
27	T135435-70	HOSE, HVAC VENT, 2.5IN ID	1	
28	T135436-16.13	HOSE, HVAC VENT, 2.0IN ID	1	
29	T135436-33.88	HOSE, HVAC VENT, 2.0IN ID	1	
30	T135436-50	HOSE, HVAC VENT, 2.0IN ID	1	
31	T135436-89.75-1	HOSE, HVAC VENT, 2.0IN ID	1	
32	WMF-010X000-20	WSH, FLAT, HARD M10 D125, ST Z	6	
33	WMF-010X000-P0	WSH, FLAT M10 DIN125 STL	2	
34	WMF-60MX000-20	WSH, FLAT M6 DIN125, ST SQC	5	
35	WSH2-X2500008Z0	SAE WASHER, 1/4, GR8, ZN	4	
36	WSH2-X3750008Z0	SAE WASHER, 3/8, GR8, ZN	8	
37	WSH4-X3750008Z0	SPIRAL LOCK WASHER, 3/8, GR8, ZN	8	

WHEN ORDERING PARTS, SPECIFY MODEL NUMBER, SERIAL NUMBER AND DESCRIPTION OF PARTS REQUIRED

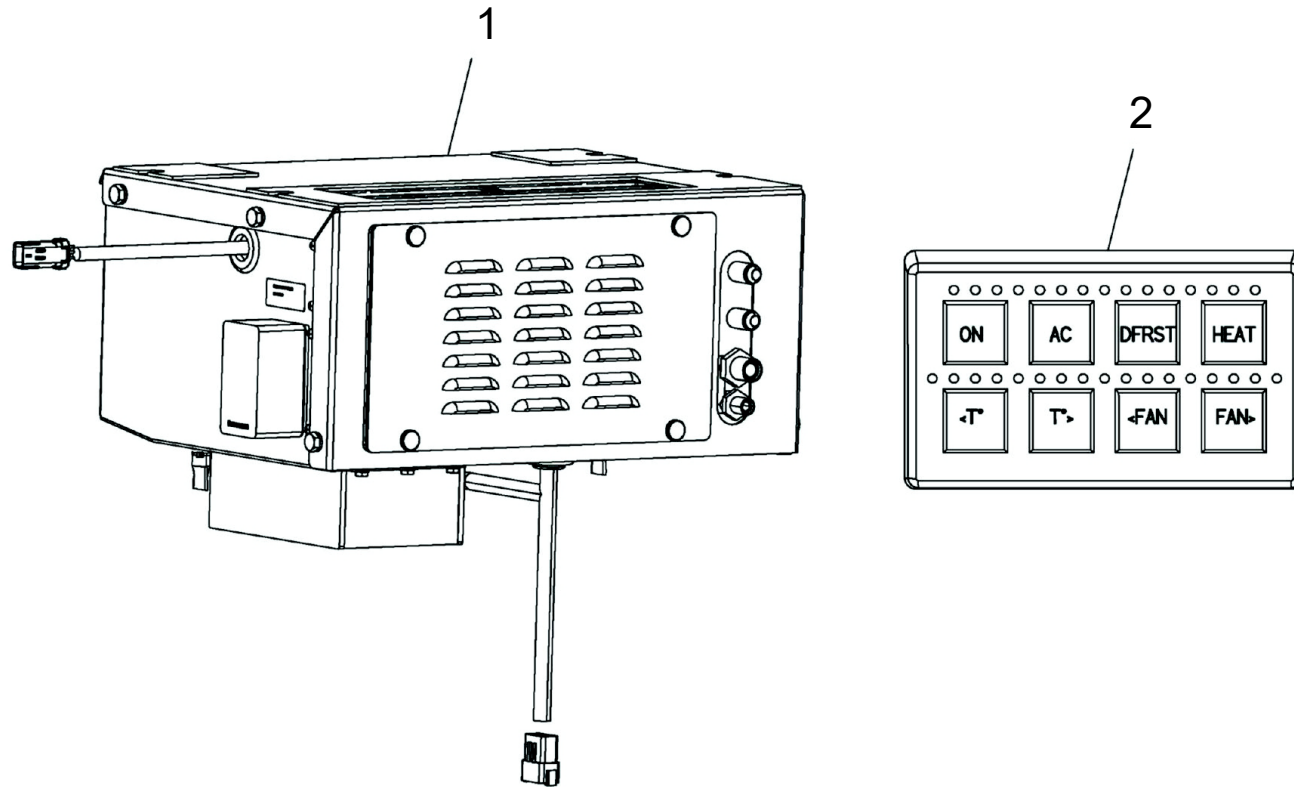


WHEN ORDERING PARTS, SPECIFY MODEL NUMBER, SERIAL NUMBER AND DESCRIPTION OF PARTS REQUIRED

HVAC KIT

ITEM	PART NUMBER	DESCRIPTION	QUANTITY	NOTES
	1008363	HVAC KIT		
1	T133388	BLOWER UNIT	1	SEE PAGE 197
2	T133389	KIT, HOSE & DRIVE MOUNTING	1	SEE PAGE 203
3	T135299	HYDRAULIC DRIVE UNIT	1	SEE PAGE 207

WHEN ORDERING PARTS, SPECIFY MODEL NUMBER, SERIAL NUMBER AND DESCRIPTION OF PARTS REQUIRED



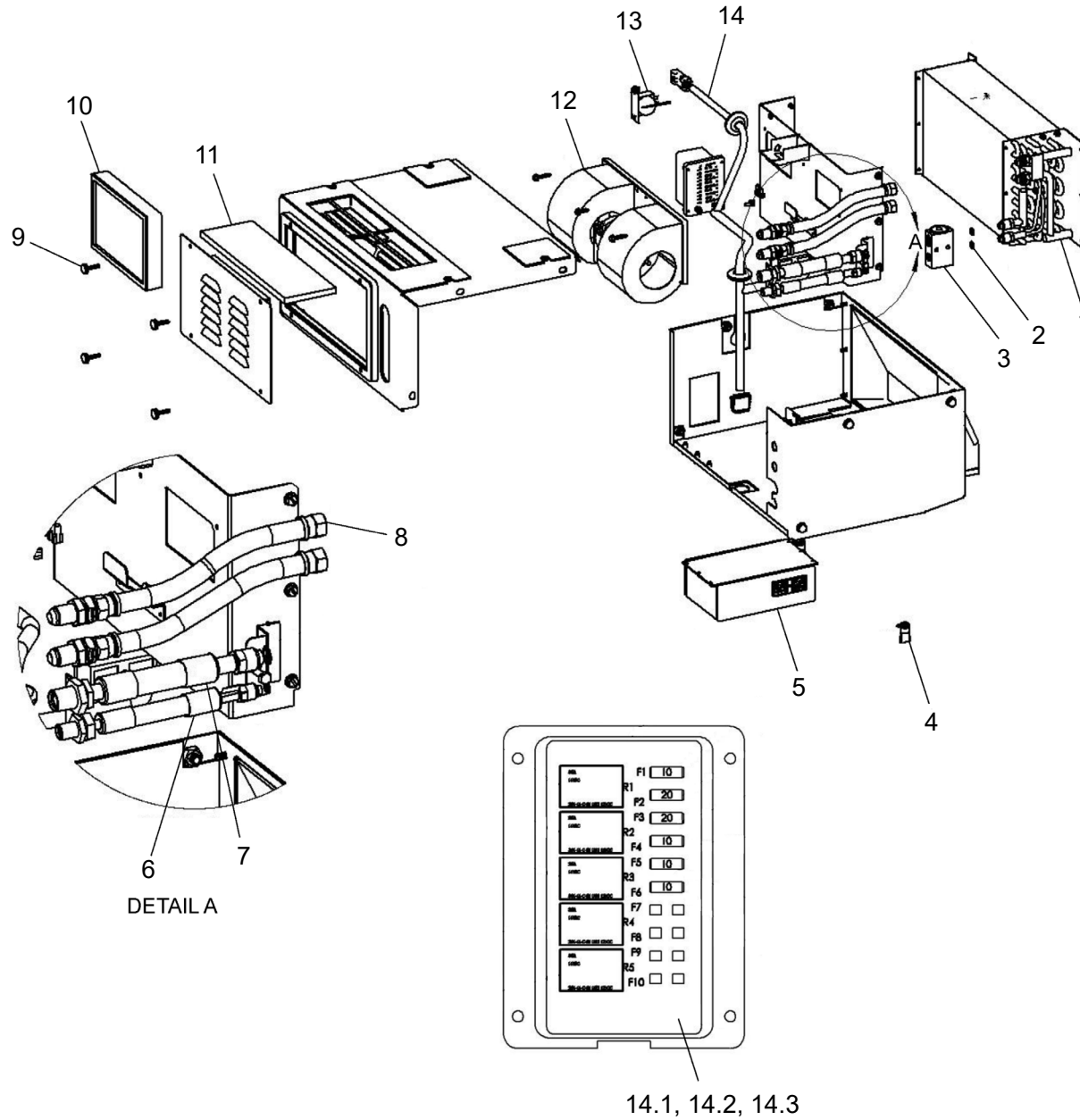
WHEN ORDERING PARTS, SPECIFY MODEL NUMBER, SERIAL NUMBER AND DESCRIPTION OF PARTS REQUIRED

BLOWER UNIT

ITEM	PART NUMBER	DESCRIPTION	QUANTITY	NOTES
	T133388	BLOWER UNIT		
1	230136	BLOWER ASSEMBLY, AC & OIL HEAT	1	SEE PAGE 199
2	229865	KEYPAD 2 X 4	1	

WHEN ORDERING PARTS, SPECIFY MODEL NUMBER, SERIAL NUMBER AND DESCRIPTION OF PARTS REQUIRED

BLOWER ASSEMBLY, AC & OIL HEAT

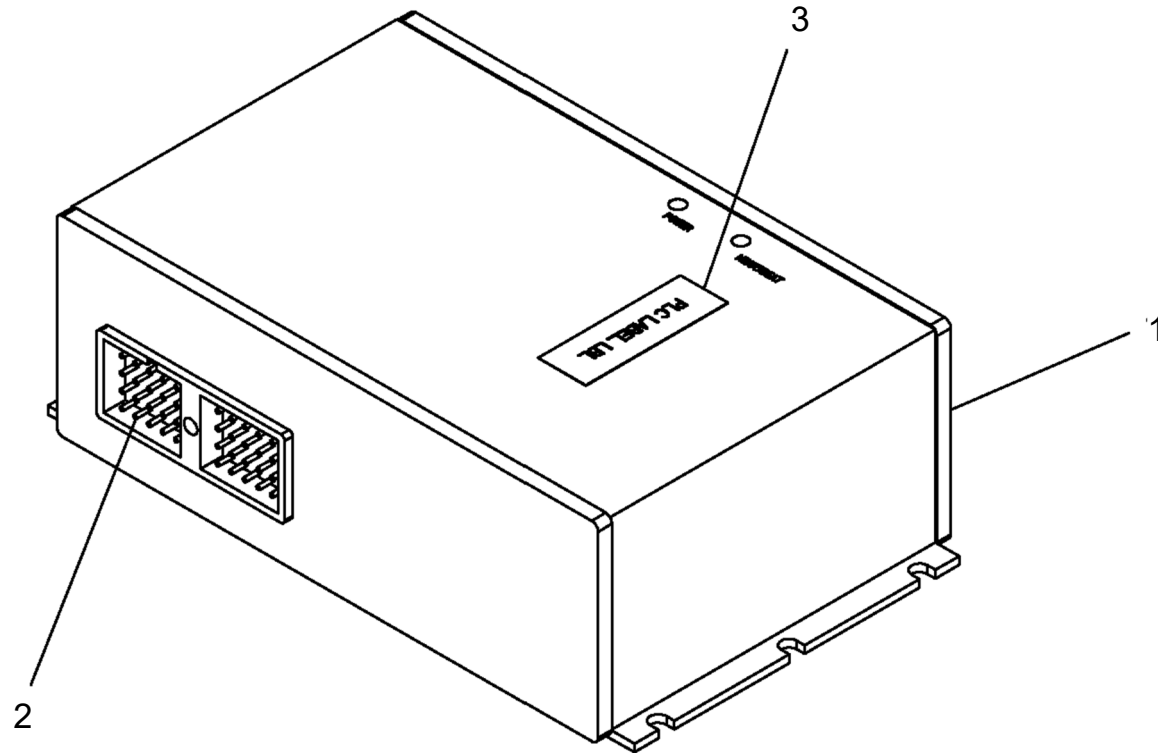


WHEN ORDERING PARTS, SPECIFY MODEL NUMBER, SERIAL NUMBER AND DESCRIPTION OF PARTS REQUIRED

BLOWER ASSEMBLY, AC & OIL HEAT

ITEM	PART NUMBER	DESCRIPTION	QUANTITY	NOTES
	230136	BLOWER ASSEMBLY, AC & OIL HEAT		
1	228858	COIL, OIL HEAT/COOL 9 X 15	1	
2	215839	O-RING, REFRIG. #8	2	
3	219736	VALVE, EXP. BLOCK	1	
4	219925	TUBE, KAZOO DRAIN VALVE	2	
5	230137	CONTROLLER, PROGRAMMED	1	SEE PAGE 201
6	228852	HOSE ASSEMBLY, #6 TXV -BULKHEAD	1	
6.1	219792	O-RING, REFRIG. #6	1	
7	228849	HOSE, ASSEMBLY, #10 TXV - BULKHEAD	1	
7.1	220107	O-RING, REFRIG. #10	1	
8	228859	HOSE ASSEMBLY, HYD COIL-BLKHD	1	
9	230138	KNOB, 1/4-20 X 1"	4	
10	226966	FILTER, PAPER	1	
11	226965	FILTER, RECIRC FOAM	1	
12	226962	BLOWER ASSEMBLY 12V (HP) W/ 4 SP RES	1	
13	219733	THERMOSTAT, FIXED	1	
14	230139	HARNESS & FUSE PANEL ASSEMBLY	1	
14.1	228277	RELAY, 12V MICRO 280	5	
14.2	228278	FUSE, MINI/ ATM 10 AMP	4	
14.3	228279	FUSE, MINI/ ATM 20 AMP	2	

WHEN ORDERING PARTS, SPECIFY MODEL NUMBER, SERIAL NUMBER AND DESCRIPTION OF PARTS REQUIRED



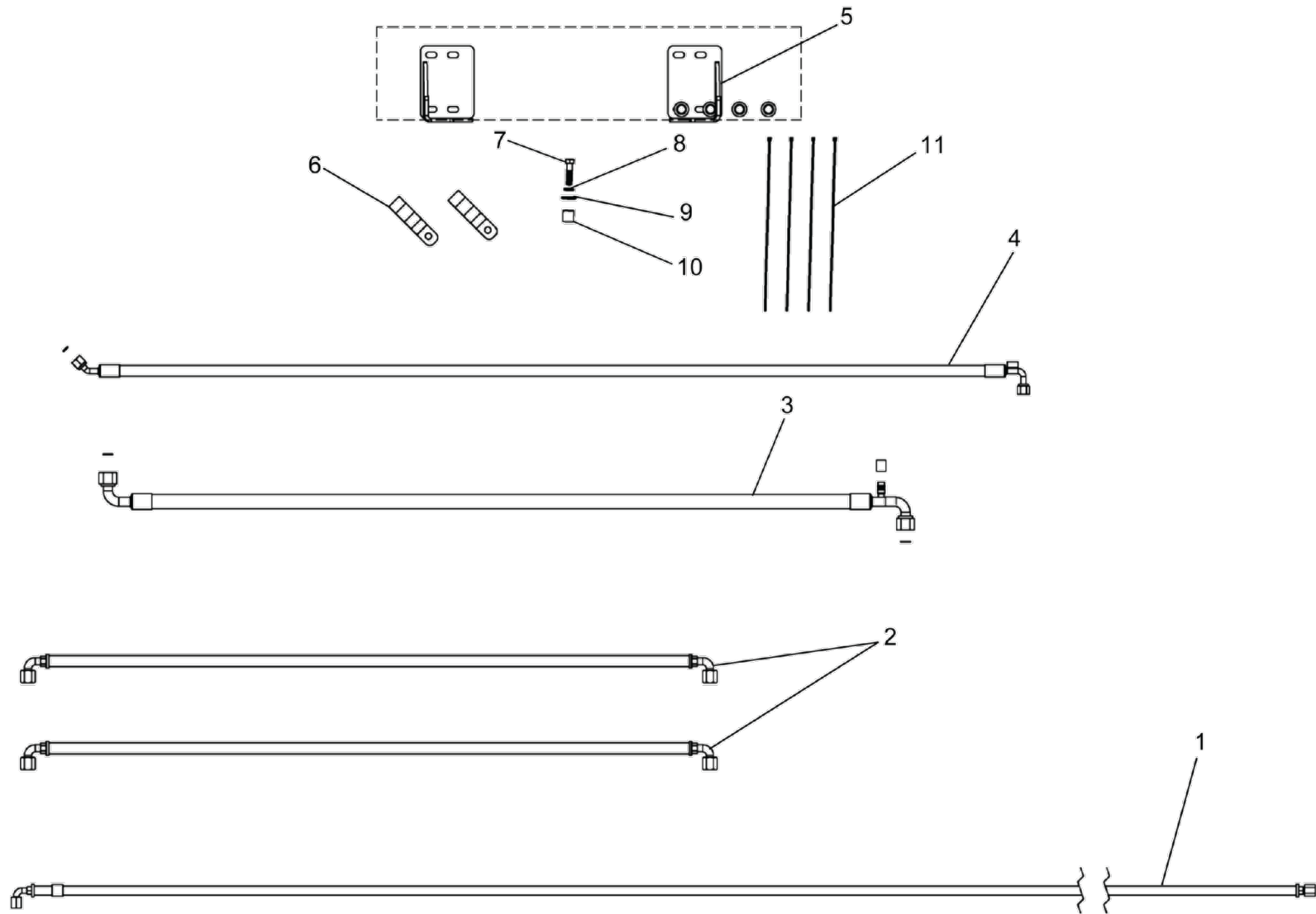
WHEN ORDERING PARTS, SPECIFY MODEL NUMBER, SERIAL NUMBER AND DESCRIPTION OF PARTS REQUIRED

CONTROLLER, PROGRAMMED

ITEM	PART NUMBER	DESCRIPTION	QUANTITY	NOTES
	230137	CONTROLLER, PROGRAMMED		
1	221881	CONTROLLER, PROGRAMMABLE	1	
2	230140	PROGRAM, PLC TXCR508	1	
3	222863	LABEL, PAPER- PLC ID	1	

WHEN ORDERING PARTS, SPECIFY MODEL NUMBER, SERIAL NUMBER AND DESCRIPTION OF PARTS REQUIRED

HOSE & DRIVE MOUNTING KIT

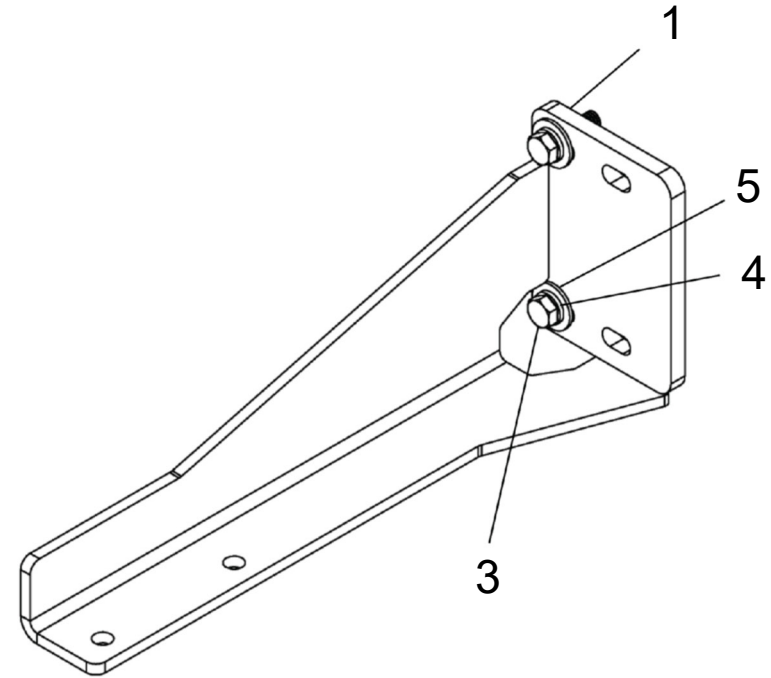
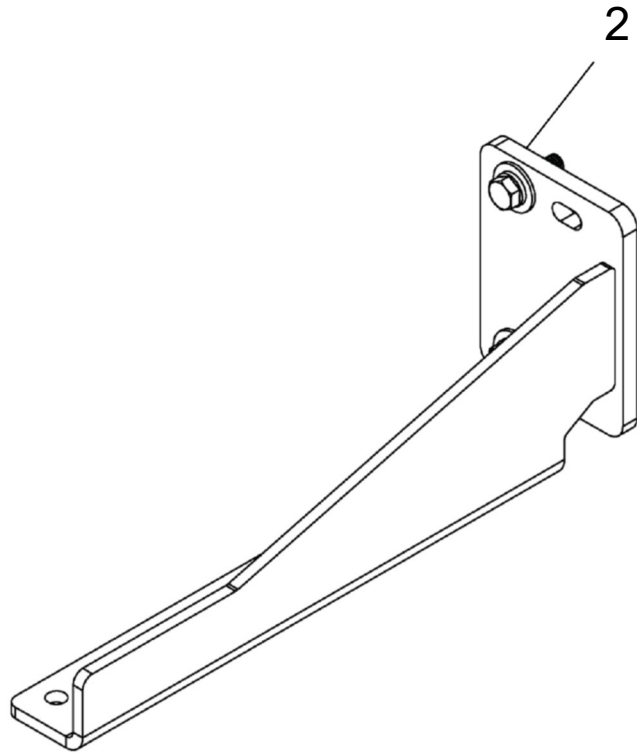


WHEN ORDERING PARTS, SPECIFY MODEL NUMBER, SERIAL NUMBER AND DESCRIPTION OF PARTS REQUIRED

HOSE & DRIVE MOUNTING KIT

ITEM	PART NUMBER	DESCRIPTION	QUANTITY	NOTES
	T133389	KIT, HOSE & DRIVE MOUNTING		
1	227564	HOSE ASSEMBLY, -6 HYD CASE DRAIN	1	
2	227565	HOSE ASSEMBLY, HYD -8 HEAT	2	
3	227566	HOSE ASSEMBLY, #10 BLKHD-COMP	1	
4	227567	HOSE ASSEMBLY, #6 RD-BLKHD	1	
5	221844	KIT, MD 9037/47/57 MTG	1	SEE PAGE 205
6	221845	CLAMP, DOUBLE HOSE	2	
7	221846	HHCS 3/8 NC X 1 1/2 GR8 ZP	1	
8	223849	WASHER, LOCK 3/8" ID	1	
9	221847	WASHER, FLAT 3/8" / M10 -HARD YZ	1	
10	227568	SPACER, TUBE 3/4" LG BLACK	1	
11	216050	TIE, PLASTIC 15"	4	

WHEN ORDERING PARTS, SPECIFY MODEL NUMBER, SERIAL NUMBER AND DESCRIPTION OF PARTS REQUIRED



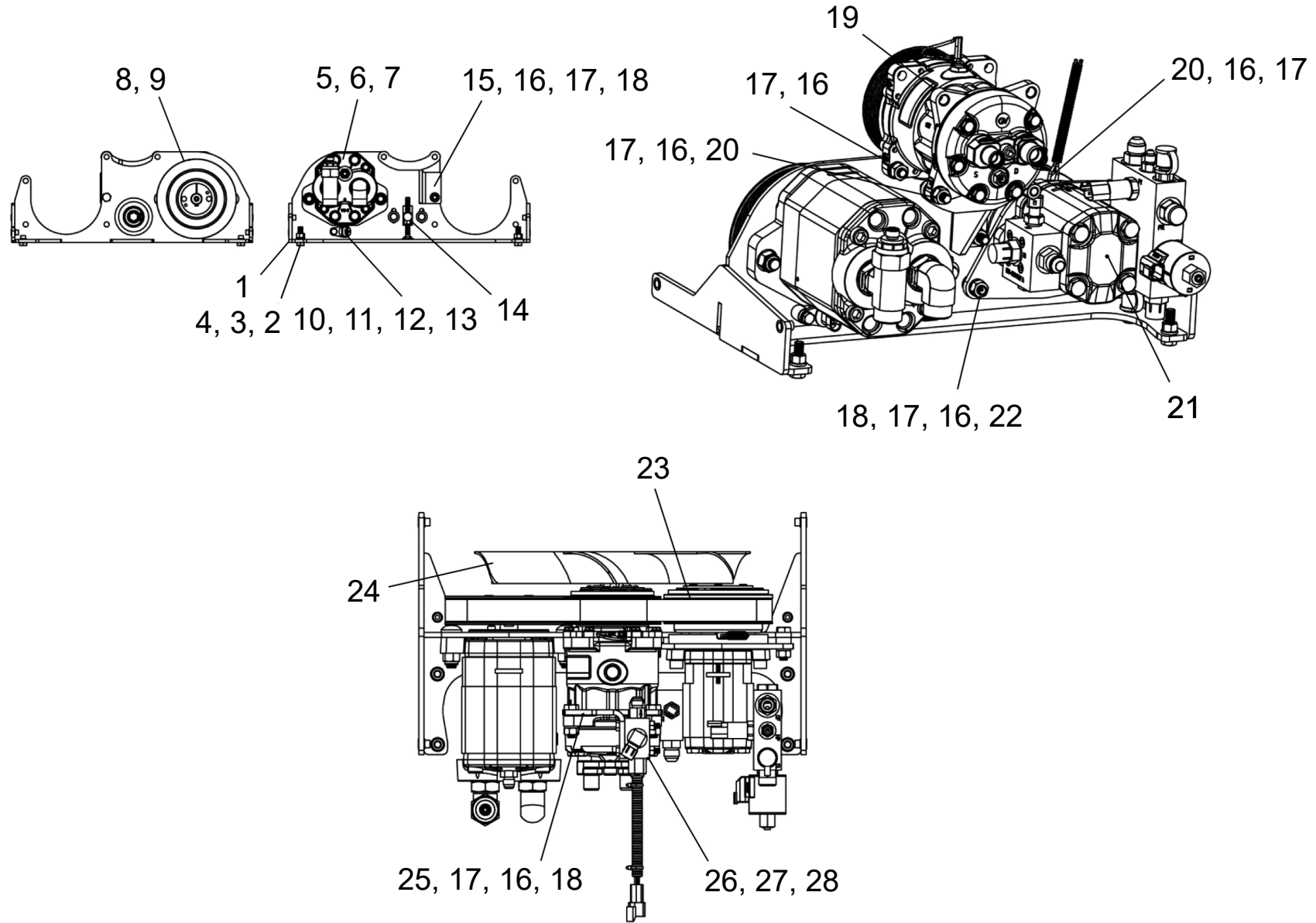
WHEN ORDERING PARTS, SPECIFY MODEL NUMBER, SERIAL NUMBER AND DESCRIPTION OF PARTS REQUIRED

KIT, MD 9037/47/57 MTG

ITEM	PART NUMBER	DESCRIPTION	QUANTITY	NOTES
	221844	KIT, MD 9037/47/57 MTG		
1	222341	BRKT, MTG RIGHT	1	
2	222342	BRKT, MTG LEFT	1	
3	221800	HHCS 3/8 NC X 1-1/4 GR8 ZP	4	
4	223849	WASHER, LOCK 3/8" ID	4	
5	221847	WASHER, FLAT 3/8" / M10 -HARD YZ	4	

WHEN ORDERING PARTS, SPECIFY MODEL NUMBER, SERIAL NUMBER AND DESCRIPTION OF PARTS REQUIRED

HYDRAULIC DRIVE UNIT



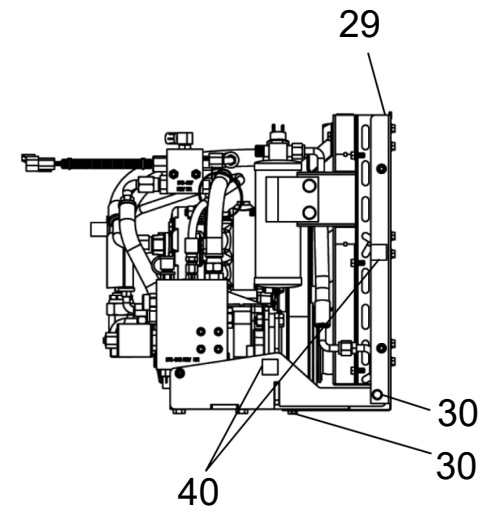
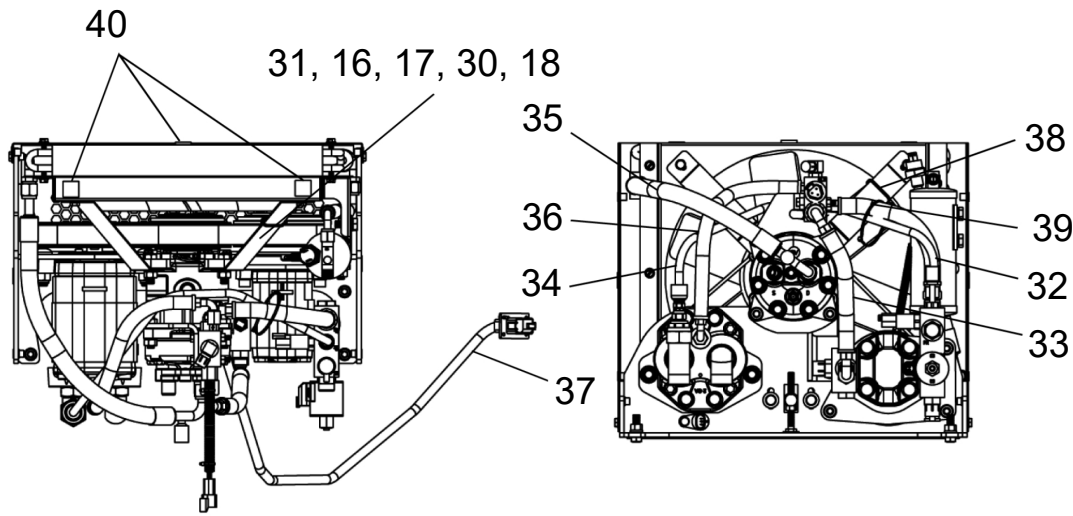
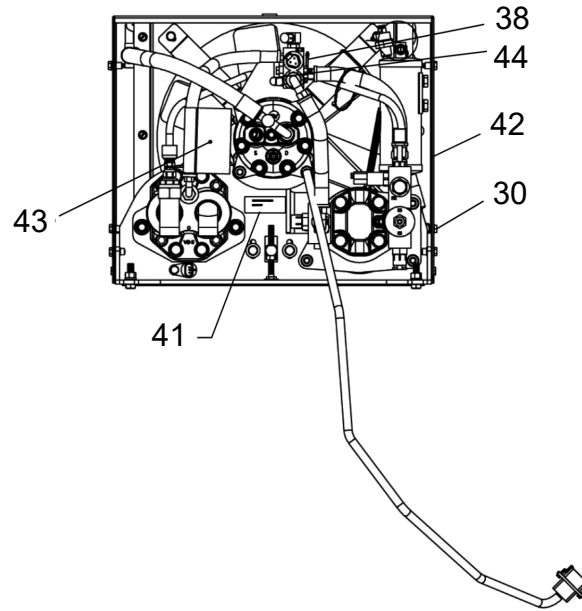
WHEN ORDERING PARTS, SPECIFY MODEL NUMBER, SERIAL NUMBER AND DESCRIPTION OF PARTS REQUIRED

HYDRAULIC DRIVE UNIT

ITEM	PART NUMBER	DESCRIPTION	QUANTITY	NOTES
	T135299	HYDRAULIC DRIVE UNIT		
1	221797	BASE, HYD	1	
2	221798	NUT, HEX 3/8-16NC YZ	4	
3	223849	WASHER, LOCK 3/8" ID	4	
4	221800	HHCS 3/8 NC X 1-1/4 GR8 ZP	4	
5	227569	MOTOR ASSEMBLY, 1.59 9067 AOH (ORFS)	1	
6	221809	CARRIAGE BOLT, 1/2 NC X 1.75 ZP	2	
7	221810	NUT HEX 1/2-13 NC NYLOCK ZP GR 8	2	
8	221812	BUSHING, 7/8" ID SPLIT W/ 1/4 KEYWAY, BLK OXD FINISH	1	
9	221813	PULLEY, HYD PV8	1	
10	221815	SENSOR, SPEED	1	
11	221816	HHCS 1/4 NC X 1.5	1	
12	221817	WASHER, LOCK 1/4 YZ	1	
13	227570	SPACER, ALUMINUM .63/.25 X .625	1	
14	227571	ASSEMBLY, BELT TENSIONER	1	SEE PAGE 211
15	221818	BRKT, COMP MTG	1	
16	221819	WASHER, LOCK M10 ZP	12	
17	221820	NUT, HEX M10-1.5 YZ	13	
18	219935	HHCS M10-1.5 X 35MM GR 10.9 YZ(16MM-HEAD)	8	
19	227572	COMP, SD7H15 12 N 4 S8 119MM(FLX7)-FLAG TERM.	1	
20	221823	HHCS M10 - 1.5 X 40MM GR10.9 YZ(16MM-HEAD)	2	
21	221822	PUMP/BLOCK ASSEMBLY MD9067 12V	1	
22	221824	SPACER, TUBE .75 X .405 X .321" LG PAINTED	3	
23	221825	BELT, DRIVE PV8 X 45.0	1	
24	227573	FAN MOUNTING GROUP - 9067	1	
25	221829	BKT, OLS	1	
26	221830	ASSEMBLY, OIL LEVEL SENSOR BLOCK	1	
27	221831	HHCS 1/4 - 20 NC X 2 ZP	2	
28	221832	NUT, HEX 1/4-20 NYLOCK	2	

WHEN ORDERING PARTS, SPECIFY MODEL NUMBER, SERIAL NUMBER AND DESCRIPTION OF PARTS REQUIRED

HYDRAULIC DRIVE UNIT



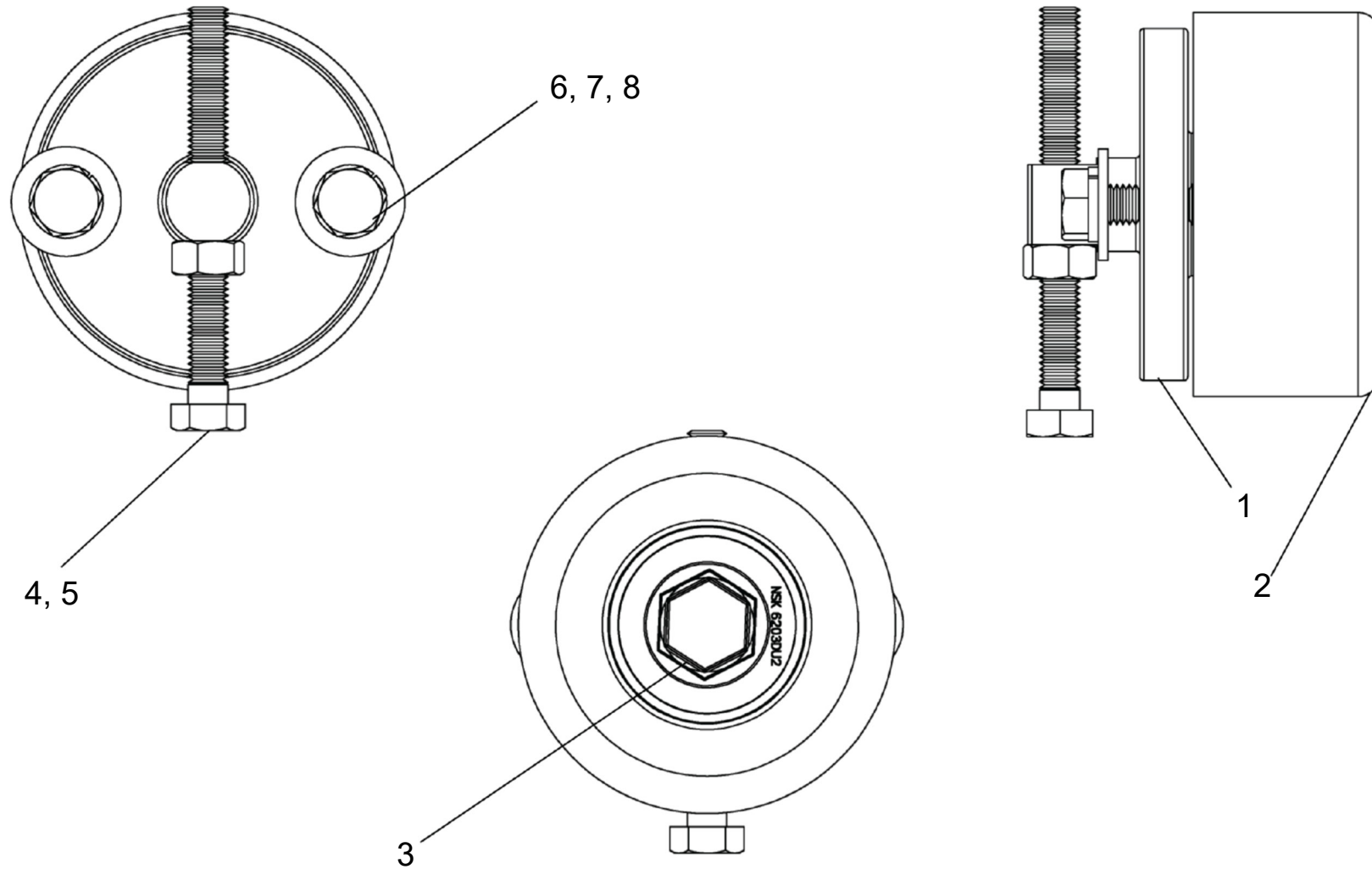
WHEN ORDERING PARTS, SPECIFY MODEL NUMBER, SERIAL NUMBER AND DESCRIPTION OF PARTS REQUIRED

HYDRAULIC DRIVE UNIT

ITEM	PART NUMBER	DESCRIPTION	QUANTITY	NOTES
	T135299	HYDRAULIC DRIVE UNIT		
29	221833	COND. ASSEMBLY (9067)	1	
30	221835	HWHCS 1/4-20 X 3/4 (WHIZLK)	12	
31	221834	BRACE	2	
32	221837	HOSE ASSEMBLY, PUSH ON, -8 STR-90	1	
33	221838	HOSE ASSEMBLY, PUSH ON, -8 90-90	1	
34	227574	HOSE ASSEMBLY, HYD 04FFORX-04FJX-25.0" SAE100R2	1	
35	227575	HOSE ASSEMBLY, COMP-CD	1	
36	221839	HOSE ASSEMBLY, PUSH ON, -6 90-90	1	
37	221840	WIRE HARNESS, 9067	1	
38	221874	TIE, PLASTIC 7"	2	
39	216050	TIE, PLASTIC 15"	1	
40	227576	GASKET, .9" SQUARE OR .9" ROUND	7	
41	221841	LABEL, KW SERIAL#	1	
42	221842	COVER, 17-9067	1	
43	227577	LABEL, OIL CHARGE WARNING	1	
44	221873	TIE, PLASTIC 4"	1	

WHEN ORDERING PARTS, SPECIFY MODEL NUMBER, SERIAL NUMBER AND DESCRIPTION OF PARTS REQUIRED

ASSEMBLY, BELT TENSIONER



WHEN ORDERING PARTS, SPECIFY MODEL NUMBER, SERIAL NUMBER AND DESCRIPTION OF PARTS REQUIRED

ASSEMBLY, BELT TENSIONER

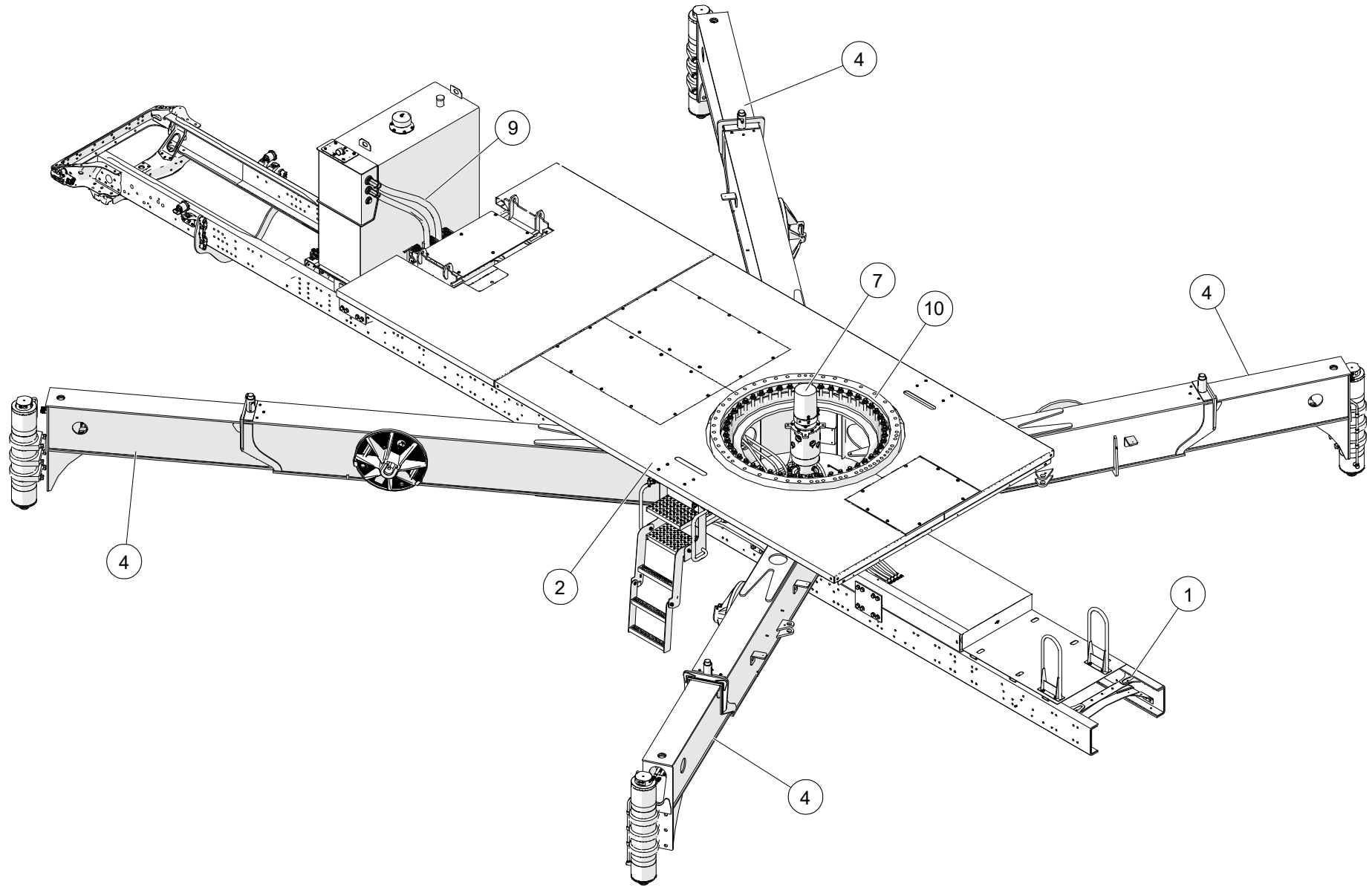
ITEM	PART NUMBER	DESCRIPTION	QUANTITY	NOTES
	227571	KIT, MD 9037/47/57 MTG		
1	221801	TENSIONER, TURNED	1	
2	221806	PULLEY ASSEMBLY, BACKSIDE PV8 X 3.0"	1	
3	221807	SHOULDER BOLT, 7/16-20 X 1 1/2	1	
4	221803*	HHCS M8-1.25 X 80 GR8.8 FULL THREAD ZP	1	
5	221802*	NUT HEX M8 X 1.25 MM	1	
6	221804*	HHCS M8X1.25 X 25 MM	2	
7	221814*	WASHER, LOCK M8 ZP	2	
8	221805*	WASHER, FLAT 5/16" YZ	2	
	NOTE:	*ITEM NOT SOLD SEPARATELY		

WHEN ORDERING PARTS, SPECIFY MODEL NUMBER, SERIAL NUMBER AND DESCRIPTION OF PARTS REQUIRED

CHAPTER NO. 2

PL 180 LOWER STRUCTURE

PAGE INTENTIONALLY LEFT BLANK



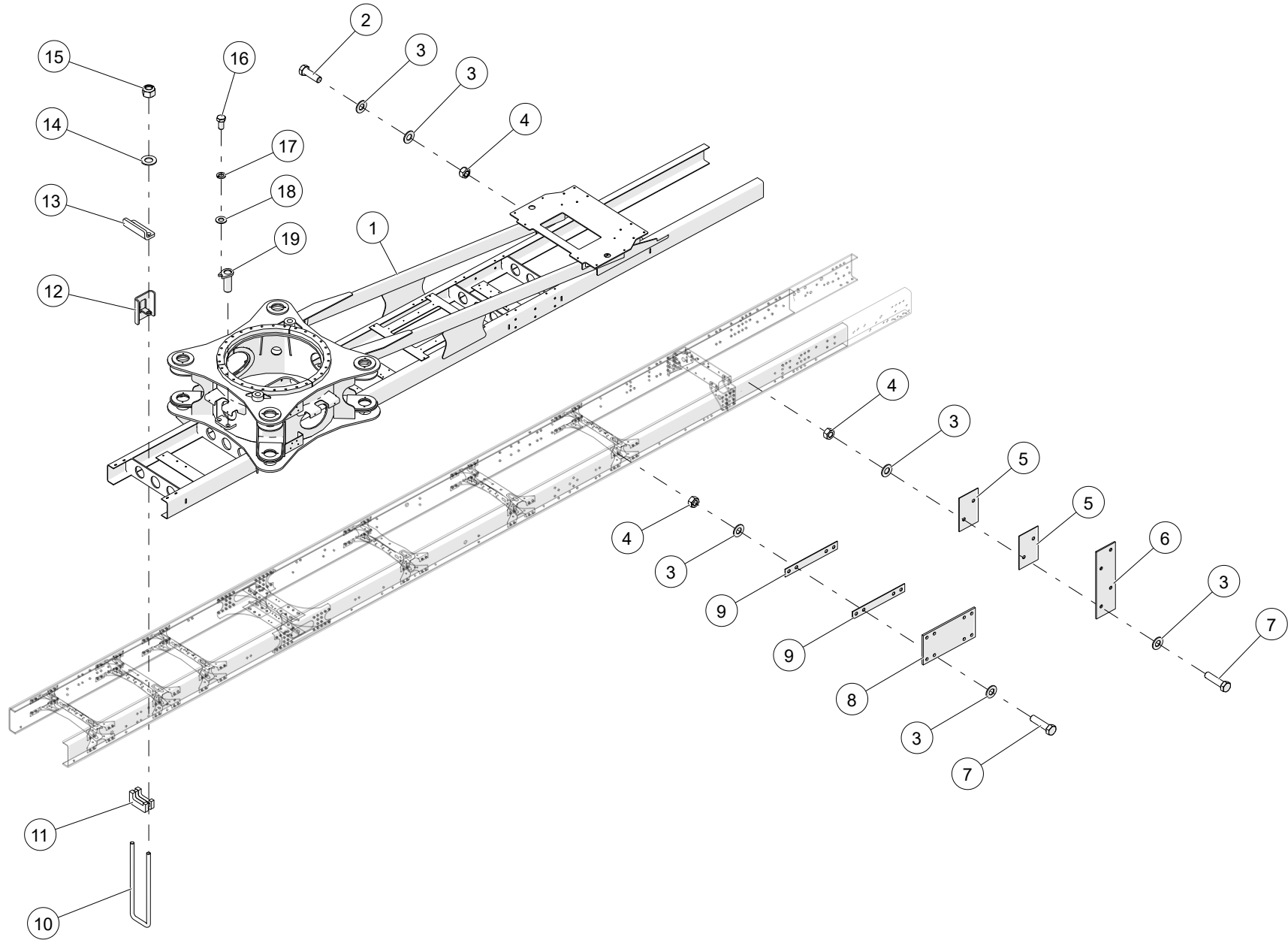
WHEN ORDERING PARTS, SPECIFY MODEL NUMBER, SERIAL NUMBER AND DESCRIPTION OF PARTS REQUIRED

PL 180 LOWER STRUCTURE

ITEM	PART NUMBER	DESCRIPTION	QUANTITY	NOTES
	PL 180-LWR-STR	PL 180 LOWER STRUCTURE		
1	1033508	CENTER STRUCTURE INSTALLATION	1	SEE PAGE 217
2	1034859	DECK INSTALLATION	1	SEE PAGE 219
3*	1008827	XO FENDER OPTIONS	1	SEE PAGE 231
4	1032975	OUTRIGGER INSTALLATION	4	SEE PAGE 239
5*	T122108	REAR BUMPER ASSEMBLY	1	SEE PAGE 249
6	1027167	LOWER ELECTRICAL ASSEMBLY	1	SEE PAGE 251
7	1034605	LOWER HYDRAULICS	1	SEE PAGE 253
8*	1035206**	PL 180 PUMP/PTO OPTIONS	1	SEE PAGE 281
9	1035218**	PL 180 XO HOSE OPTIONS	1	SEE PAGE 291
10	T124827	SWING BEARING INSTALLATION	1	SEE PAGE 301
	NOTE:	*NOT SHOWN IN THE ILLUSTRATION **NOT SERVICEABLE AT THIS LEVEL		

WHEN ORDERING PARTS, SPECIFY MODEL NUMBER, SERIAL NUMBER AND DESCRIPTION OF PARTS REQUIRED

CENTER STRUCTURE INSTALLATION



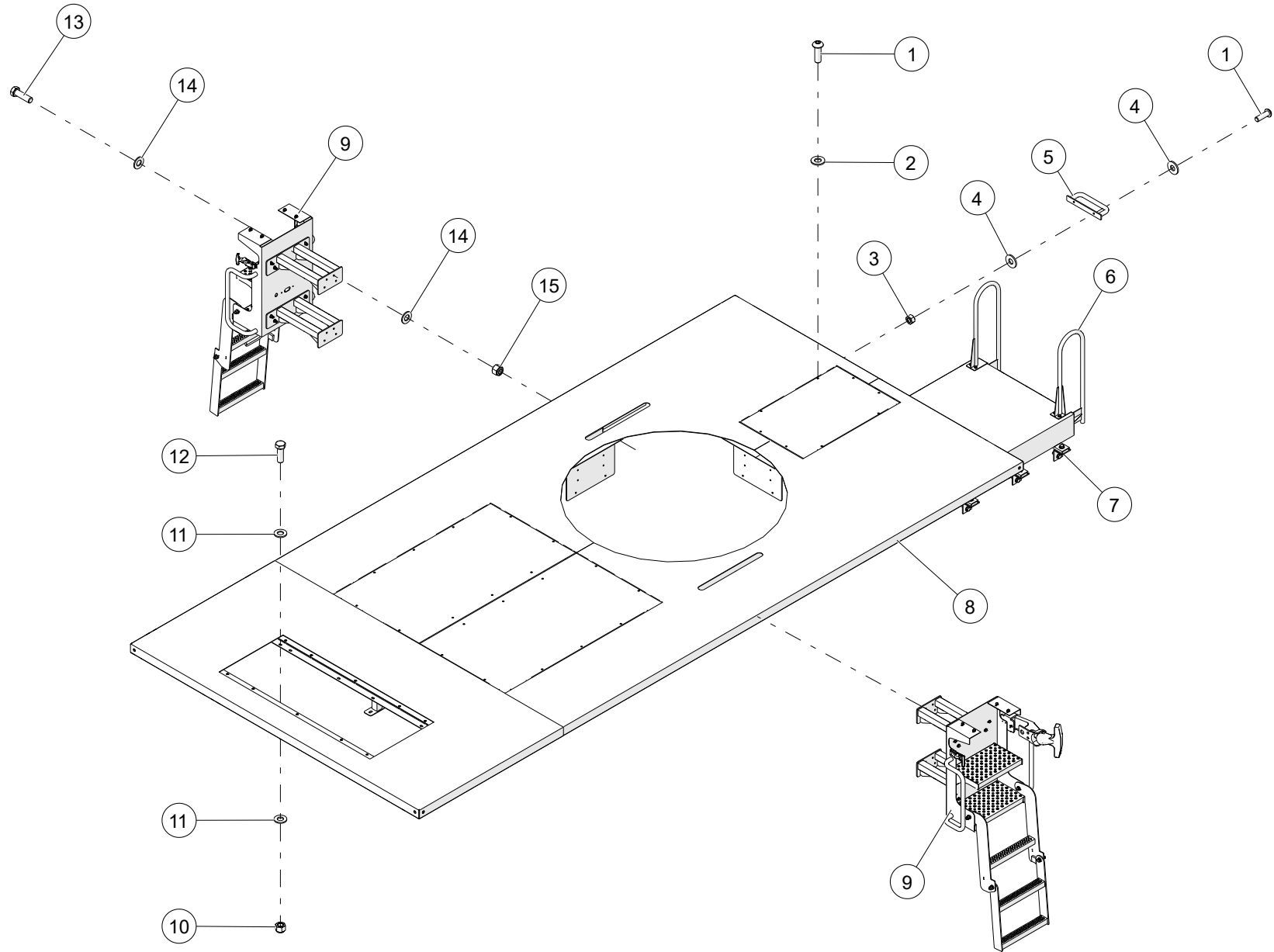
WHEN ORDERING PARTS, SPECIFY MODEL NUMBER, SERIAL NUMBER AND DESCRIPTION OF PARTS REQUIRED

CENTER STRUCTURE INSTALLATION

ITEM	PART NUMBER	DESCRIPTION	QUANTITY	NOTES
	1033508	CENTER STRUCTURE INSTALLATION		
1	1033509	CENTER STRUCTURE WELDMENT	1	
2	HHCS-C625B008M0	HEX HEAD CAP SCREW, 5/8-11 X 2 LEN, GR8, MA	28	
3	WSH2-X6250008Z0	SAE WASHER, 5/8, GR8, ZN	112	
4	NTP-625C000-25	NUT,HEX TPLCK 0.625-11,ST SQC G5	56	
5	1040343	SHIM, FRONT SHEAR PLATE	4	
6	1038827	PLATE, SHEAR FRAME BRACKET	2	
7	HHCS-C625B508M0	HEX HEAD CAP SCREW, 5/8-11 X 2 1/2 LEN, GR8,MA	28	
8	T117395	PLATE, SHEAR	6	
9	1040342	SHIM, SHEAR PLATE	12	
10	220-99066	U-BOLT	4	
11	T113753	SADDLE ASSY - U BOLT	4	
12	T158972	FRAME REINFORCEMENT	4	
13	T133066	PLATE, CLAMP	4	
14	WSH1-XA000008Z0	WASHER, 1, GR8, ZN	8	
15	NUT3-CA000008M0	NYLON LOCK NUT, 1-8, GR8, MA	8	
16	HHCS-C500A005Z0	HEX HEAD CAP SCREW, 1/2-13 X 1 LEN, GR5, ZN	4	
17	WSH4-X5000008Z0	SPIRAL LOCK WASHER, 1/2, GR8, ZN	4	
18	WSH2-X5000008Z0	SAE WASHER, 1/2, GR8, ZN	4	
19	710F0412	PIN ASS'Y, STEER CYL	4	

WHEN ORDERING PARTS, SPECIFY MODEL NUMBER, SERIAL NUMBER AND DESCRIPTION OF PARTS REQUIRED

DECK INSTALLATION



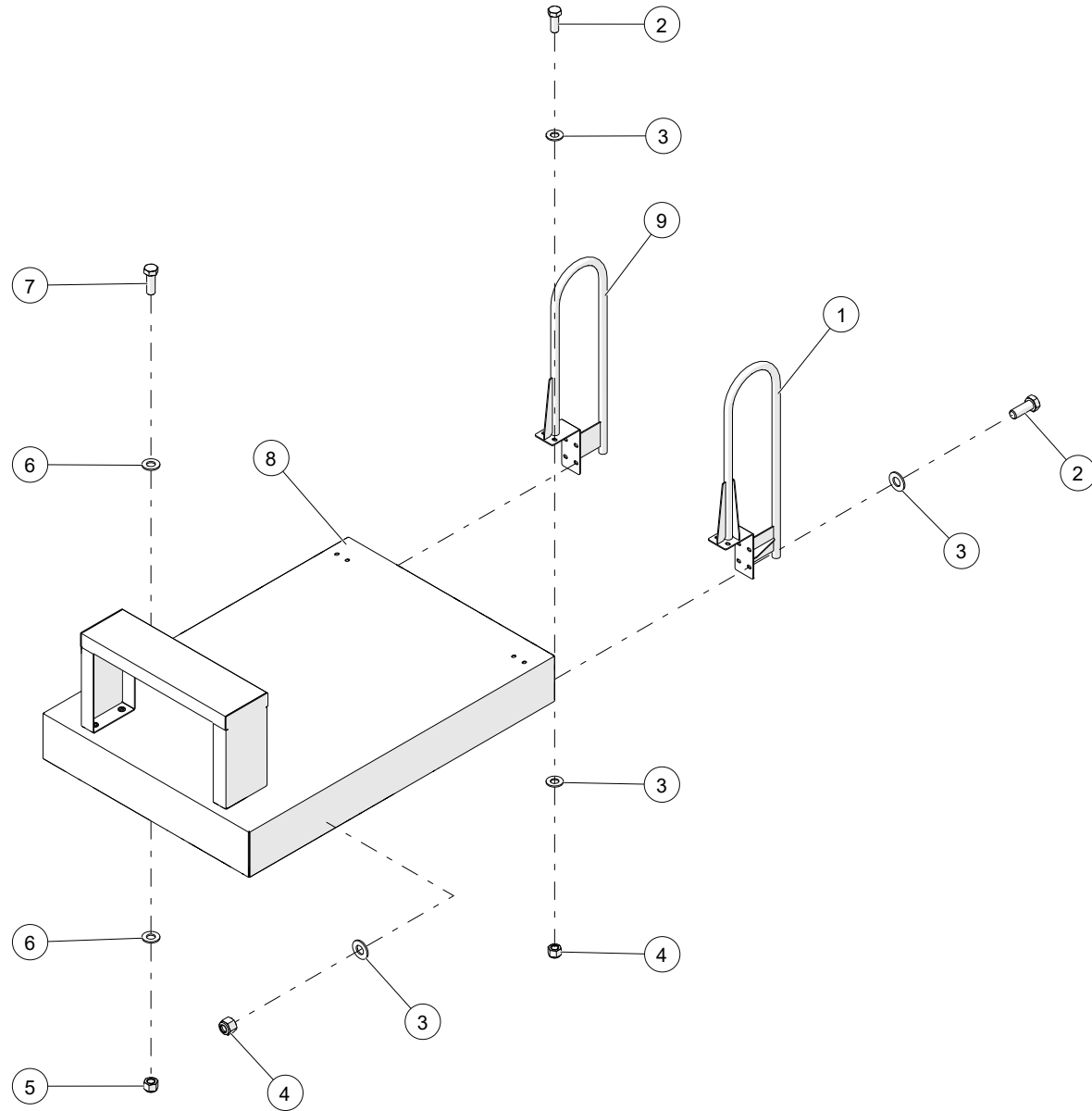
WHEN ORDERING PARTS, SPECIFY MODEL NUMBER, SERIAL NUMBER AND DESCRIPTION OF PARTS REQUIRED

DECK INSTALLATION

ITEM	PART NUMBER	DESCRIPTION	QUANTITY	NOTES
	1034859	DECK INSTALLATION		
1	SH03-C313A00BB0	SHCS BUTTON HEAD, 5/16-18 X 1 LEN, BO	32	
2	WSH2-X3130008Z0	SAE WASHER, 5/16, GR8, ZN	28	
3	NUT1-C3130005Z0	HEX NUT, 5/16-18, GR5, ZN	4	
4	WSH3-X3130008Z0	FENDER WASHER, 5/16, GR8, ZN	8	
5	1041468	HANDLE WELDMENT	2	
6	1041369	PLATFORM INSTALLATION	1	SEE PAGE 221
7	T113262	MOUNTING KIT, DECK	1	SEE PAGE 225
8	1034860	DECK KIT	1	SEE PAGE 227
9	1035135	LADDER ASSEMBLY	2	SEE PAGE 229
10	NUT3-C5000008Z0	NYLON LOCK NUT, 1/2-13, GR8, ZN	48	
11	WSH2-X5000008Z0	SAE WASHER, 1/2, GR8, ZN	96	
12	HHCS-C500A508Z0	HEX HEAD CAP SCREW, 1/2-13 X 1 1/2 LEN, GR8, ZN	20	
13	HHCS-C375A258Z0	HEX HEAD CAP SCREW, 3/8-16 X 1 1/4 LEN, GR8, ZN	24	
14	WSH2-X3750008Z0	SAE WASHER, 3/8, GR8, ZN	48	
15	NUT3-C3750008Z0	NYLON LOCK NUT, 3/8-16, GR8, ZN	24	

WHEN ORDERING PARTS, SPECIFY MODEL NUMBER, SERIAL NUMBER AND DESCRIPTION OF PARTS REQUIRED

PLATFORM INSTALLATION

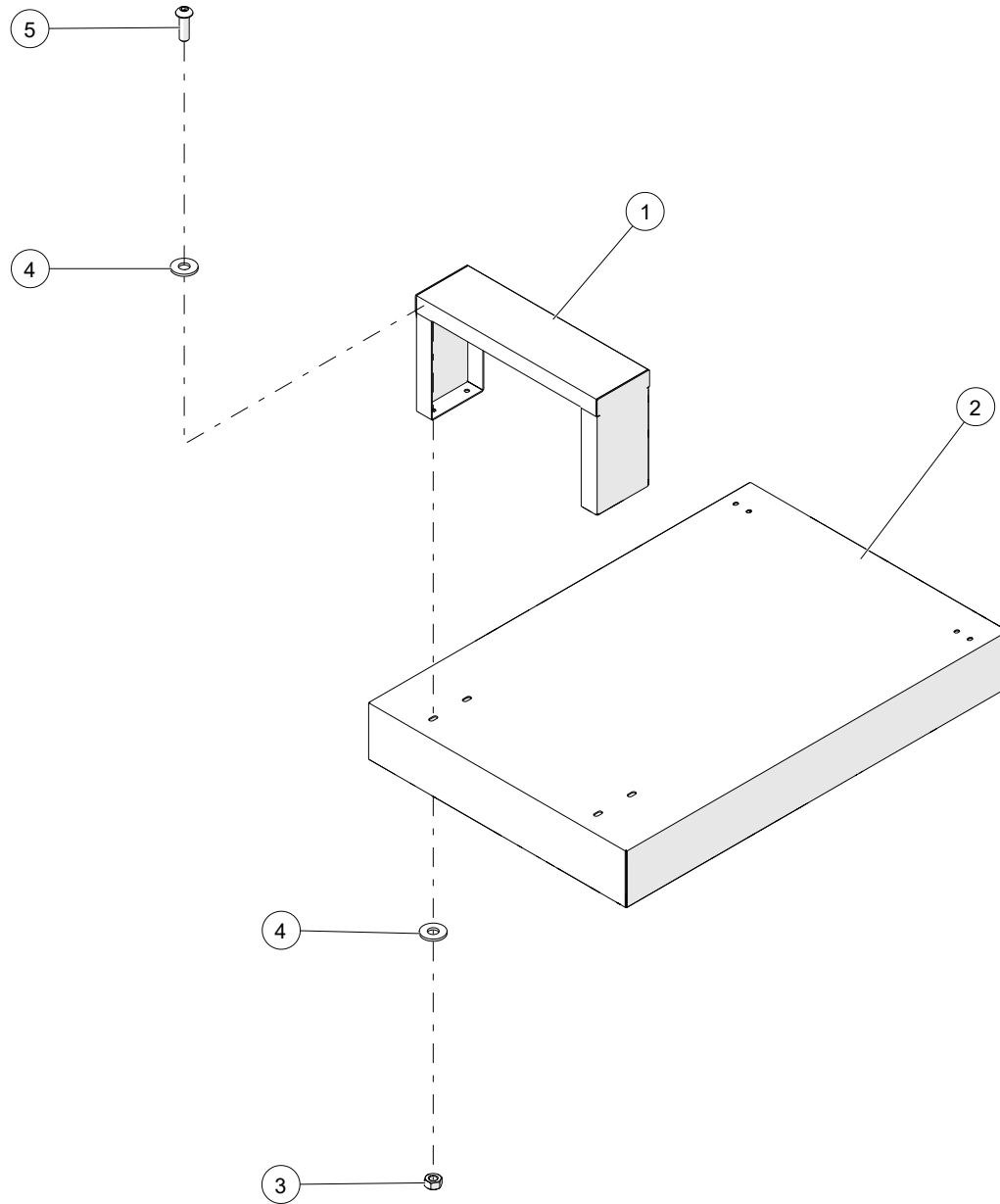


WHEN ORDERING PARTS, SPECIFY MODEL NUMBER, SERIAL NUMBER AND DESCRIPTION OF PARTS REQUIRED

PLATFORM INSTALLATION

ITEM	PART NUMBER	DESCRIPTION	QUANTITY	NOTES
	1041369	PLATFORM INSTALLATION		
1	T123669	HANDRAIL ASSEMBLY, REAR LH	1	
2	HHCS-C375A005Z0	HEX HEAD CAP SCREW, 3/8-16 X 1 LEN, GR5, ZN	12	
3	WSH1-X3750008Z0	WASHER, 3/8, GR8, ZN	24	
4	NUT3-C3750005Z0	NYLON LOCK NUT, 3/8-16, GR5, ZN	12	
5	NUT3-C5000005Z0	NYLON LOCK NUT, 1/2-13, GR5, ZN	6	
6	WSH1-X5000008Z0	WASHER, 1/2, GR8, ZN	12	
7	HHCS-C500A505Z0	HEX HEAD CAP SCREW, 1/2-13 X 1 1/2 LEN, GR5, ZN	6	
8	1041374	PLATFORM ASSEMBLY	1	SEE PAGE 223
9	T123671	HANDRAIL ASSEMBLY, REAR RH	1	

WHEN ORDERING PARTS, SPECIFY MODEL NUMBER, SERIAL NUMBER AND DESCRIPTION OF PARTS REQUIRED



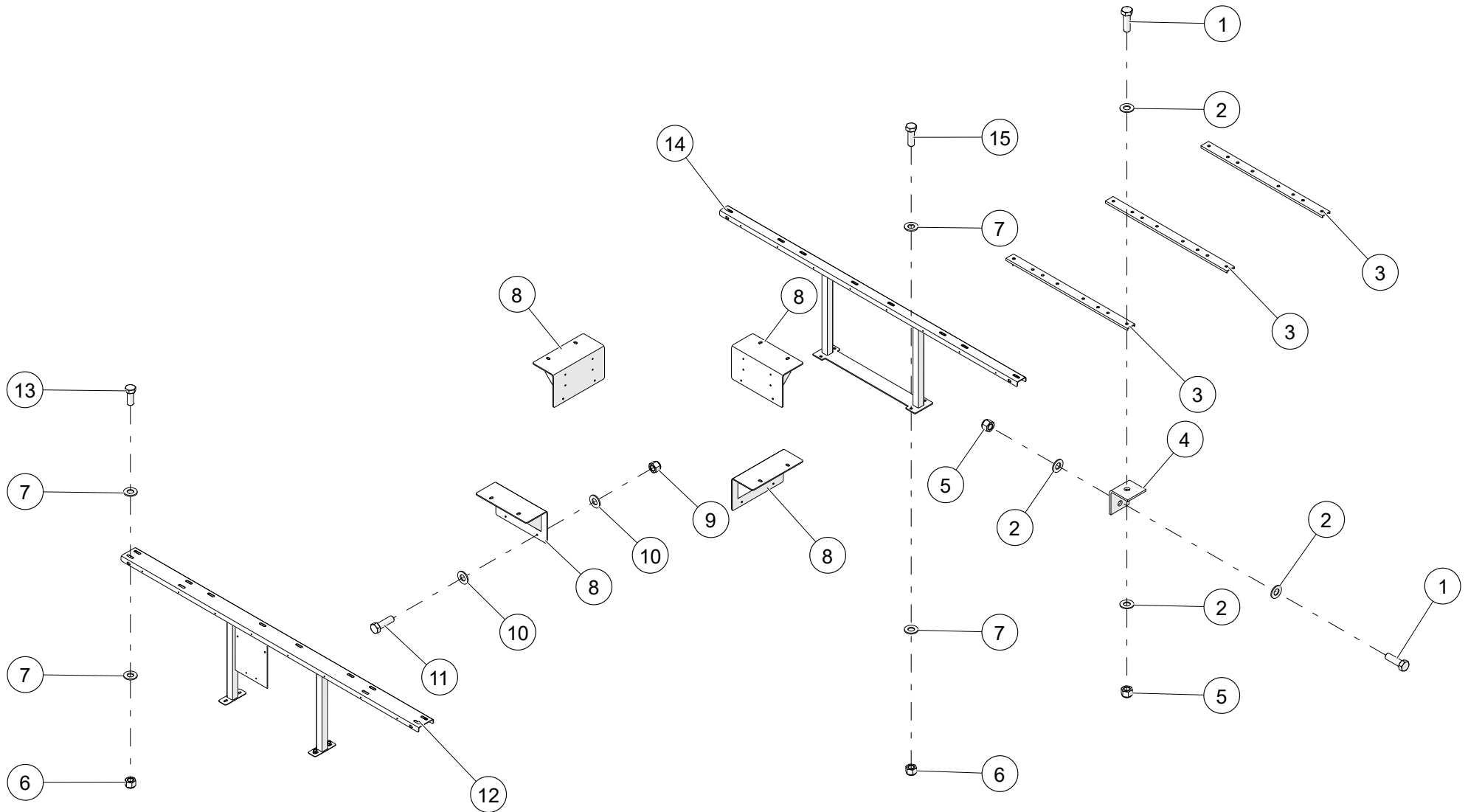
WHEN ORDERING PARTS, SPECIFY MODEL NUMBER, SERIAL NUMBER AND DESCRIPTION OF PARTS REQUIRED

PLATFORM ASSEMBLY

ITEM	PART NUMBER	DESCRIPTION	QUANTITY	NOTES
	1041374	PLATFORM ASSEMBLY		
1	1041542	LADDER, WELDMENT	1	
2	1041368	PLATFORM, LOWER REAR	1	
3	NUT1-C3130005Z0	HEX NUT, 5/16-18, GR5, ZN	4	
4	WSH3-X3130008Z0	FENDER WASHER, 5/16, GR8, ZN	8	
5	SH03-C313A00BB0	SHCS BUTTON HEAD, 5/16-18 X 1 LEN, BO	4	

WHEN ORDERING PARTS, SPECIFY MODEL NUMBER, SERIAL NUMBER AND DESCRIPTION OF PARTS REQUIRED

MOUNTING KIT, DECK

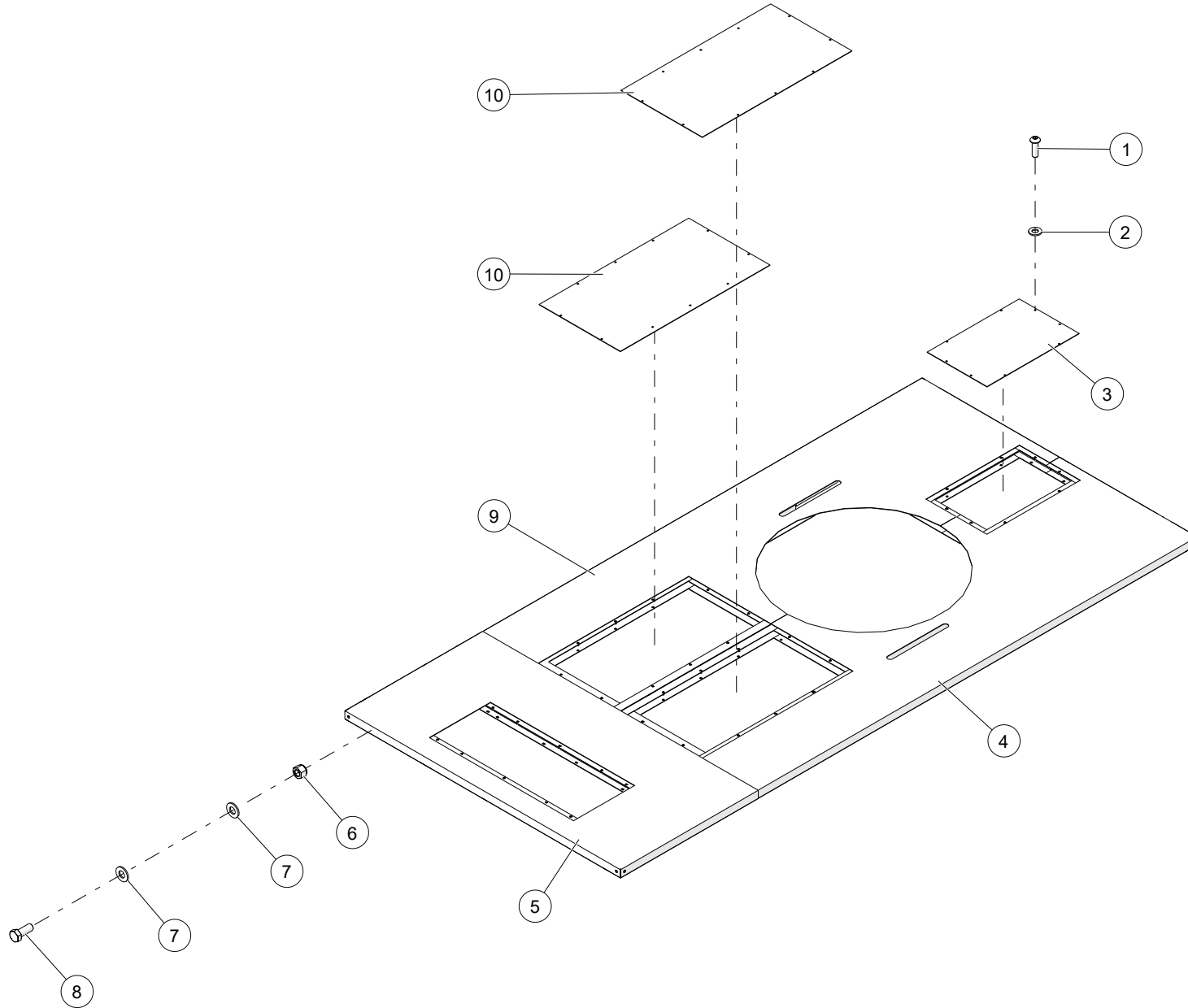


WHEN ORDERING PARTS, SPECIFY MODEL NUMBER, SERIAL NUMBER AND DESCRIPTION OF PARTS REQUIRED

MOUNTING KIT, DECK

ITEM	PART NUMBER	DESCRIPTION	QUANTITY	NOTES
	T113262	MOUNTING KIT, DECK		
1	HHCS-C625B008M0	HEX HEAD CAP SCREW, 5/8-11 X 2 LEN, GR8, MA	12	
2	WSH2-X6250008Z0	SAE WASHER, 5/8, GR8, ZN	48	
3	T118692	CHANNEL, 2.50 X 40.0 X 2.27	3	
4	T118712	BRACKET, CHANNEL MOUNT	6	
5	NUT3-C6250008Z0	NYLON LOCK NUT, 5/8-11, GR8, MA	6	
6	NUT3-C5000008Z0	NYLON LOCK NUT, 1/2-13, GR8, ZN	48	
7	WSH2-X5000008Z0	SAE WASHER, 1/2, GR8, ZN	96	
8	T113168	BRACKET ASSY, MOUNT	4	
9	NUT3-C3750008Z0	NYLON LOCK NUT, 3/8-16, GR8, ZN	24	
10	WSH2-X3750008Z0	SAE WASHER, 3/8, GR8, ZN	48	
11	HHCS-C375A258Z0	HEX HEAD CAP SCREW, 3/8-16 X 1 1/4 LEN, GR8, ZN	24	
12	T113157	MOUNT ASSY, DECK	1	
13	HHCS-C500A258Z0	HEX HEAD CAP SCREW, 1/2-13 X 1 1/4 LEN, GR8, ZN	28	
14	T113161	MOUNT ASSY, REAR	1	
15	HHCS-C500A508Z0	HEX HEAD CAP SCREW, 1/2-13 X 1 1/2 LEN, GR8, ZN	1	

WHEN ORDERING PARTS, SPECIFY MODEL NUMBER, SERIAL NUMBER AND DESCRIPTION OF PARTS REQUIRED



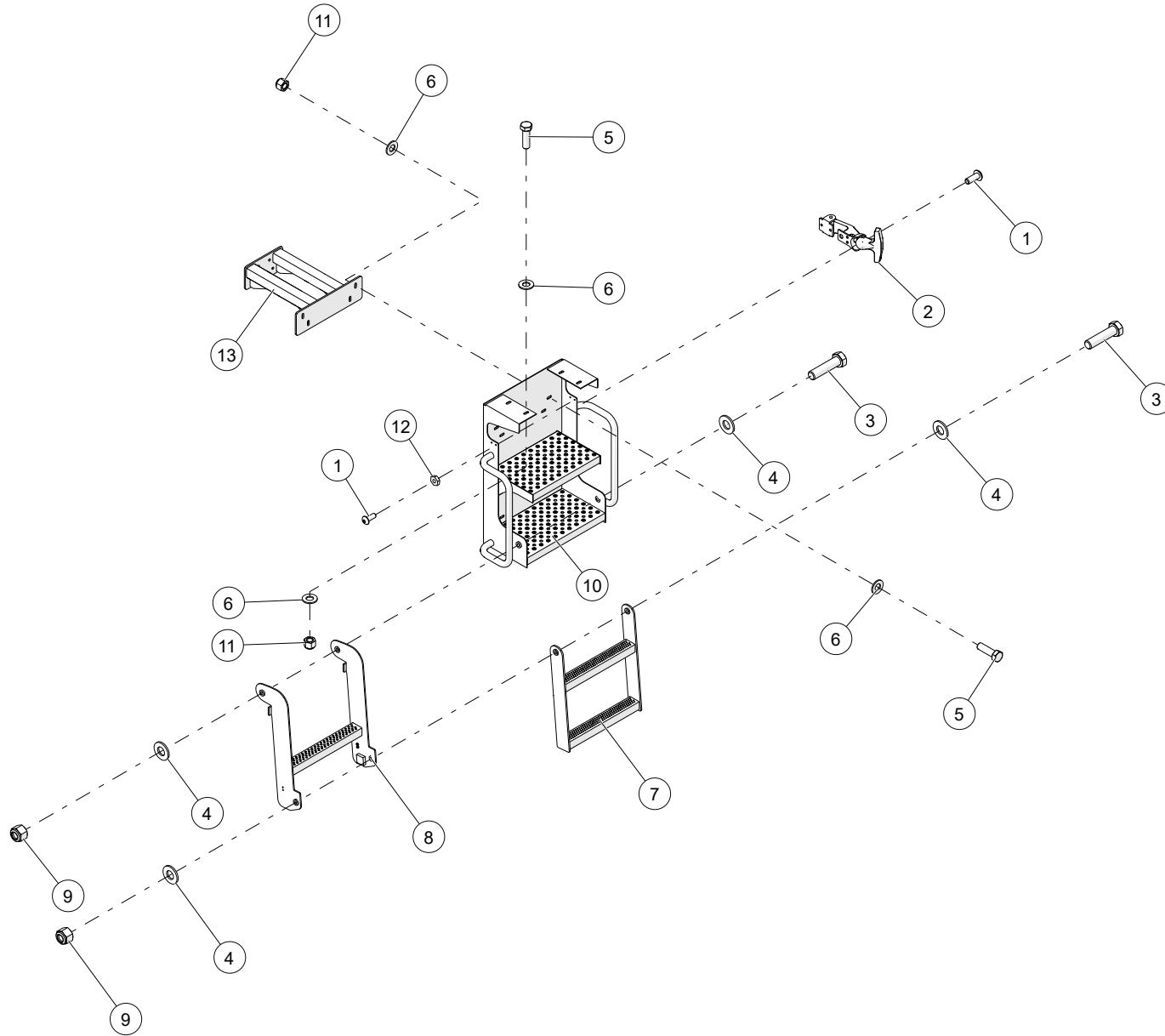
WHEN ORDERING PARTS, SPECIFY MODEL NUMBER, SERIAL NUMBER AND DESCRIPTION OF PARTS REQUIRED

DECK KIT

ITEM	PART NUMBER	DESCRIPTION	QUANTITY	NOTES
	1034860	DECK KIT		
1	SH03-C313A00BB0	SHCS BUTTON HEAD, 5/16-18 X 1 LEN, BO	32	
2	WSH2-X3130008Z0	SAE WASHER, 5/16, GR8, ZN	28	
3	T132210	PLATE - COVERASSY	1	
4	1041543	PANELASSY, LH	1	
5	1034890	PANELASSY, FRONT	1	
6	NUT3-C5000008Z0	NYLON LOCK NUT, 1/2-13, GR8, ZN	48	
7	WSH2-X5000008Z0	SAE WASHER, 1/2, GR8, ZN	96	
8	HHCS-C500A258Z0	HEX HEAD CAP SCREW, 1/2-13 X 1 1/4 LEN, GR8, ZN	28	
9	1041554	PANELASSY, RH	1	
10	T138884	PLATE - COVERASSY	2	

WHEN ORDERING PARTS, SPECIFY MODEL NUMBER, SERIAL NUMBER AND DESCRIPTION OF PARTS REQUIRED

LADDER ASSEMBLY



WHEN ORDERING PARTS, SPECIFY MODEL NUMBER, SERIAL NUMBER AND DESCRIPTION OF PARTS REQUIRED

LADDER ASSEMBLY

ITEM	PART NUMBER	DESCRIPTION	QUANTITY	NOTES
	1035135	LADDER ASSEMBLY		
1	SH03-C190500BB0	SHCS BUTTON HEAD, 10-24 X 1/2 LEN, BO	8	
2	T117679	LATCH	2	
3	HHCS-C500B008Z0	HEX HEAD CAP SCREW, 1/2-13 X 2 LEN, GR8, ZN	4	
4	WSH1-X5000008Z0	WASHER, 1/2, GR8, ZN	8	
5	HHCS-C375A255Z1	HEX HEAD CAP SCREW, 3/8-16 X 1 1/4 LEN, GR5, ZN, FULL THREAD	12	
6	WSH1-X3750008Z0	WASHER, 3/8, GR8, ZN	24	
7	T135120	LOWER STEP ASSY, LADDER	1	
8	T134365	LOWER LADDER ASSEMBLY	1	
9	NUT3-C5000008Z0	NYLON LOCK NUT, 1/2-13, GR8, ZN	4	
10	1033330	UPPER LADDER ASSEMBLY	1	
11	NUT3-C3750005Z0	NYLON LOCK NUT, 3/8-16, GR5, ZN	12	
12	N23-190C000-20	NUT, HEX, MACH 10-24, ST SQC	8	
13	T117380	LADDER SUPPORT, UPPER	2	

WHEN ORDERING PARTS, SPECIFY MODEL NUMBER, SERIAL NUMBER AND DESCRIPTION OF PARTS REQUIRED

NON - ILLUSTRATED PAGE

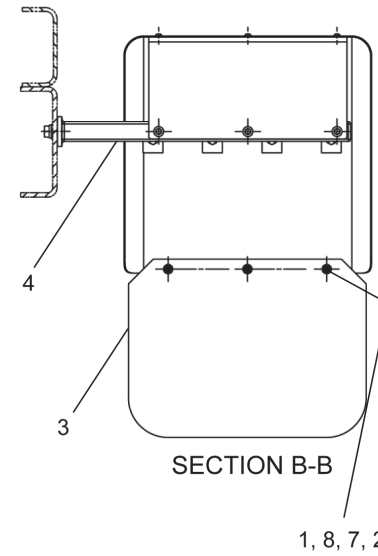
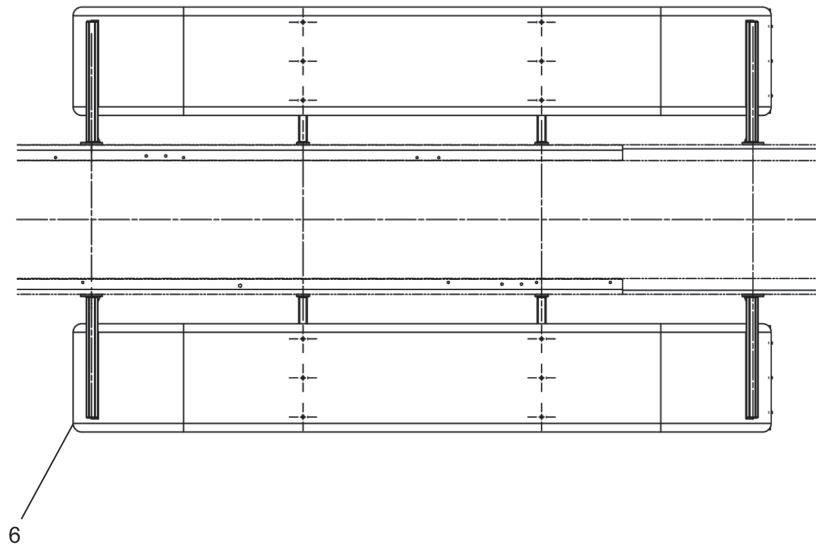
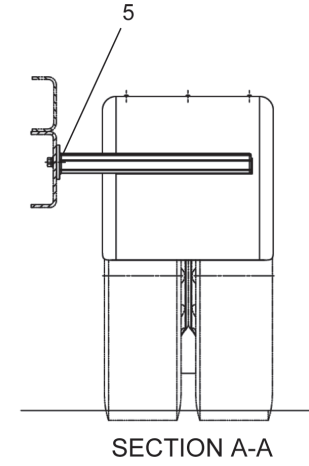
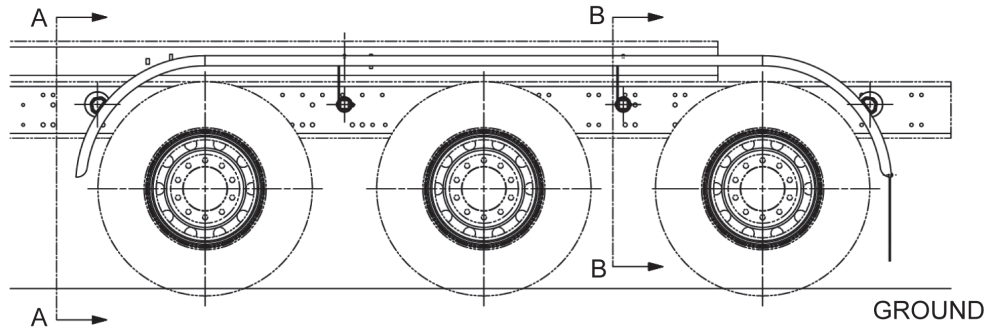
WHEN ORDERING PARTS, SPECIFY MODEL NUMBER, SERIAL NUMBER AND DESCRIPTION OF PARTS REQUIRED

XO FENDER OPTIONS

ITEM	PART NUMBER	DESCRIPTION	QUANTITY	NOTES
	1008827	XO FENDER OPTIONS		
1	T150137	FENDERS 55 INCH AXLE CTR	1	SEE PAGE 233
2	T150138	FENDERS 60 INCH AXLE CTR	1	SEE PAGE 235
3	T150139	FENDERS 55 INCH AXLE CTR W/PUSHER	1	SEE PAGE 237

WHEN ORDERING PARTS, SPECIFY MODEL NUMBER, SERIAL NUMBER AND DESCRIPTION OF PARTS REQUIRED

FENDERS 55 INCH AXLE CTR



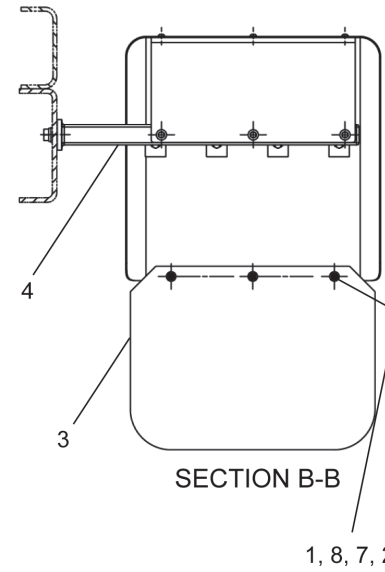
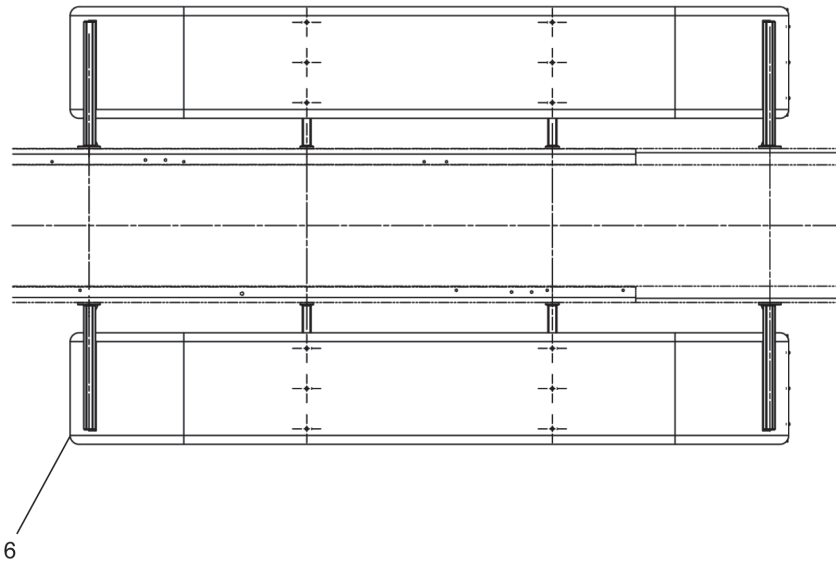
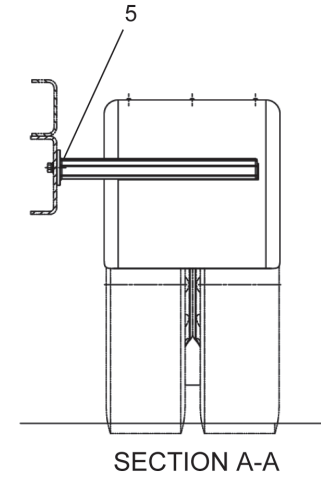
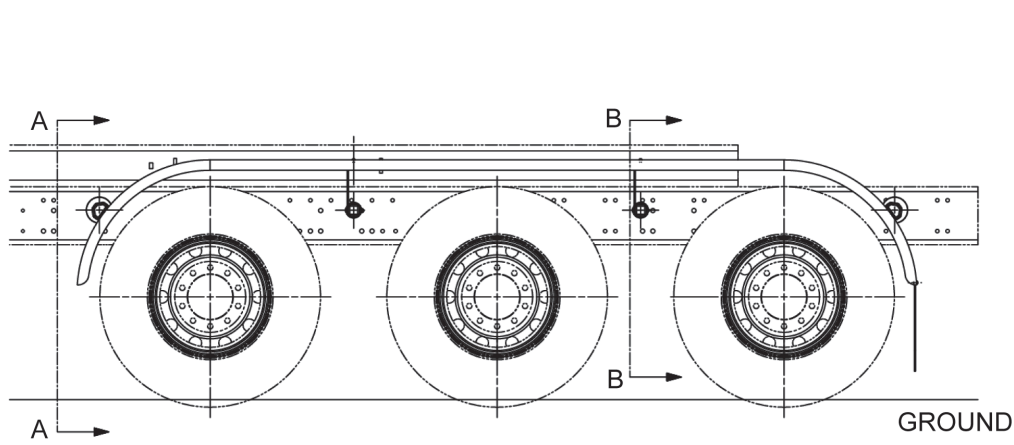
WHEN ORDERING PARTS, SPECIFY MODEL NUMBER, SERIAL NUMBER AND DESCRIPTION OF PARTS REQUIRED

FENDERS 55 INCH AXLE CTR

ITEM	PART NUMBER	DESCRIPTION	QUANTITY	NOTES
	T150137	FENDERS 55 INCH AXLE CTR		
1	NFH-312C000-25	NUT, HEX, FLANGE 0.312-18,ST Z G5	6	
2	S18-312CA00-E8	SCR, BSHSCS 0.312-18X1.00,SS18-8	6	
3	T123944	MUD FLAP, 18 X 24	2	
4	T137953	UNDER MOUNTING BRACKET	4	
5	T137954	OUTER MOUNTING BRACKET ASSEMBLY	4	
6	T137955	FENDER, 110" TRIDEM	2	
7	WAH-31NX000-Y2	WSR, FL HRD A-NRW 0.3125, ST YZ	6	
8	WMD-80MX000-E8	WSR, FNDR M8, SS 18-8	6	

WHEN ORDERING PARTS, SPECIFY MODEL NUMBER, SERIAL NUMBER AND DESCRIPTION OF PARTS REQUIRED

FENDERS 60 INCH AXLE CTR



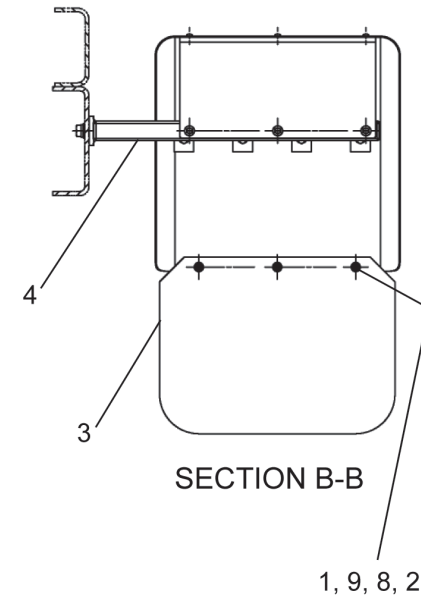
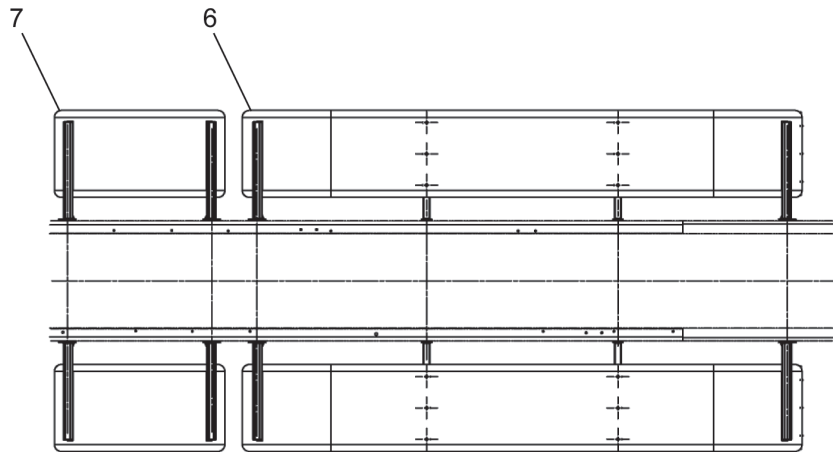
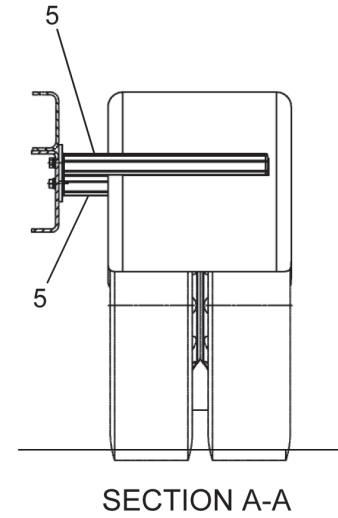
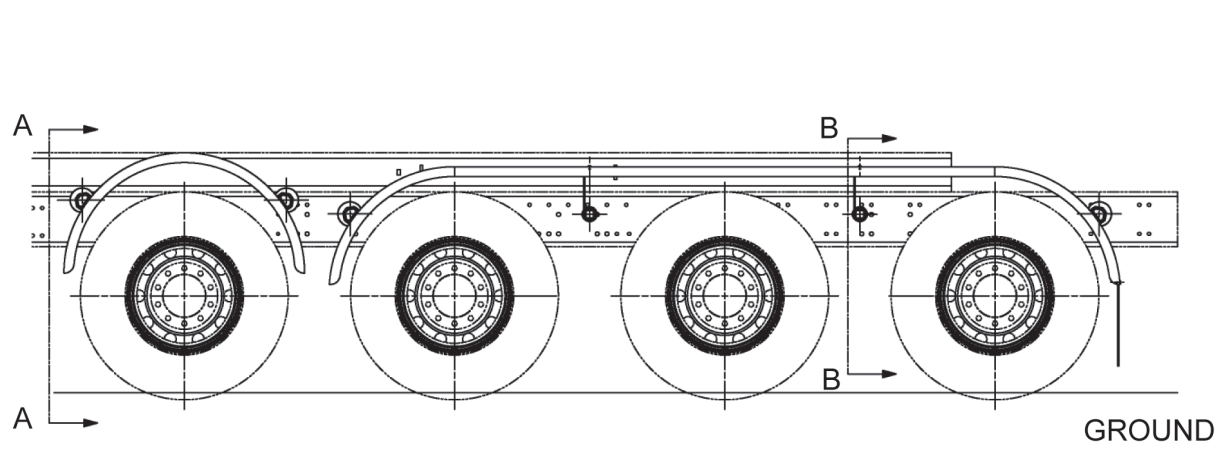
WHEN ORDERING PARTS, SPECIFY MODEL NUMBER, SERIAL NUMBER AND DESCRIPTION OF PARTS REQUIRED

FENDERS 60 INCH AXLE CTR

ITEM	PART NUMBER	DESCRIPTION	QUANTITY	NOTES
	T150138	FENDERS 60 INCH AXLE CTR		
1	NFH-312C000-25	NUT, HEX, FLANGE 0.312-18,ST Z G5	6	
2	S18-312CA00-E8	SCR, BSHSCS 0.312-18X1.00,SS18-8	6	
3	T123944	MUD FLAP, 18 X 24	2	
4	T137953	UNDER MOUNTING BRACKET	4	
5	T137954	OUTER MOUNTING BRACKET ASSEMBLY	4	
6	T144680	FENDER, 120" TRIDEM	2	
7	WAH-31NX000-Y2	WSR, FL HRD A-NRW 0.3125, ST YZ	6	
8	WMD-80MX000-E8	WSR, FNDR M8, SS 18-8	6	

WHEN ORDERING PARTS, SPECIFY MODEL NUMBER, SERIAL NUMBER AND DESCRIPTION OF PARTS REQUIRED

FENDERS 55 INCH AXLE CTR W/PUSHER



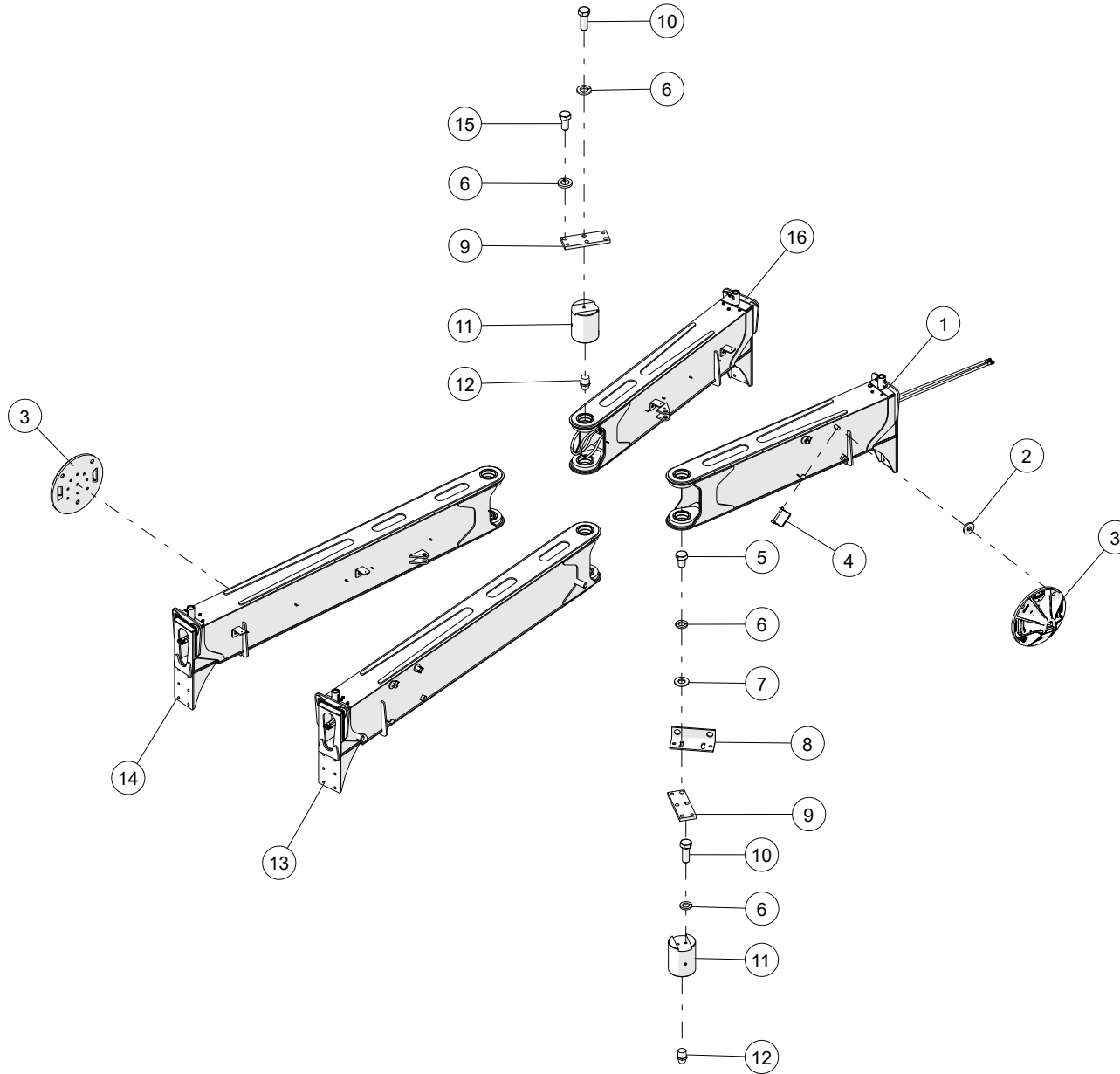
WHEN ORDERING PARTS, SPECIFY MODEL NUMBER, SERIAL NUMBER AND DESCRIPTION OF PARTS REQUIRED

FENDERS 55 INCH AXLE CTR W/PUSHER

ITEM	PART NUMBER	DESCRIPTION	QUANTITY	NOTES
	T150139	FENDERS 55 INCH AXLE CTR W/PUSHER		
1	NFH-312C000-25	NUT, HEX, FLANGE 0.312-18,ST Z G5	6	
2	S18-312CA00-E8	SCR, BSHS 0.312-18X1.00,SS18-8	6	
3	T123944	MUD FLAP, 18 X 24	2	
4	T137953	UNDER MOUNTING BRACKET	4	
5	T137954	OUTER MOUNTING BRACKET ASSEMBLY	8	
6	T137955	FENDER, 110" TRIDEM	2	
7	T145180	FENDER, SINGLE AXLE	2	
8	WAH-31NX000-Y2	WSR, FL HRD A-NRW 0.3125, ST YZ	6	
9	WMD-80MX000-E8	WSR, FNDR M8, SS 18-8	6	

WHEN ORDERING PARTS, SPECIFY MODEL NUMBER, SERIAL NUMBER AND DESCRIPTION OF PARTS REQUIRED

OUTRIGGER INSTALLATION



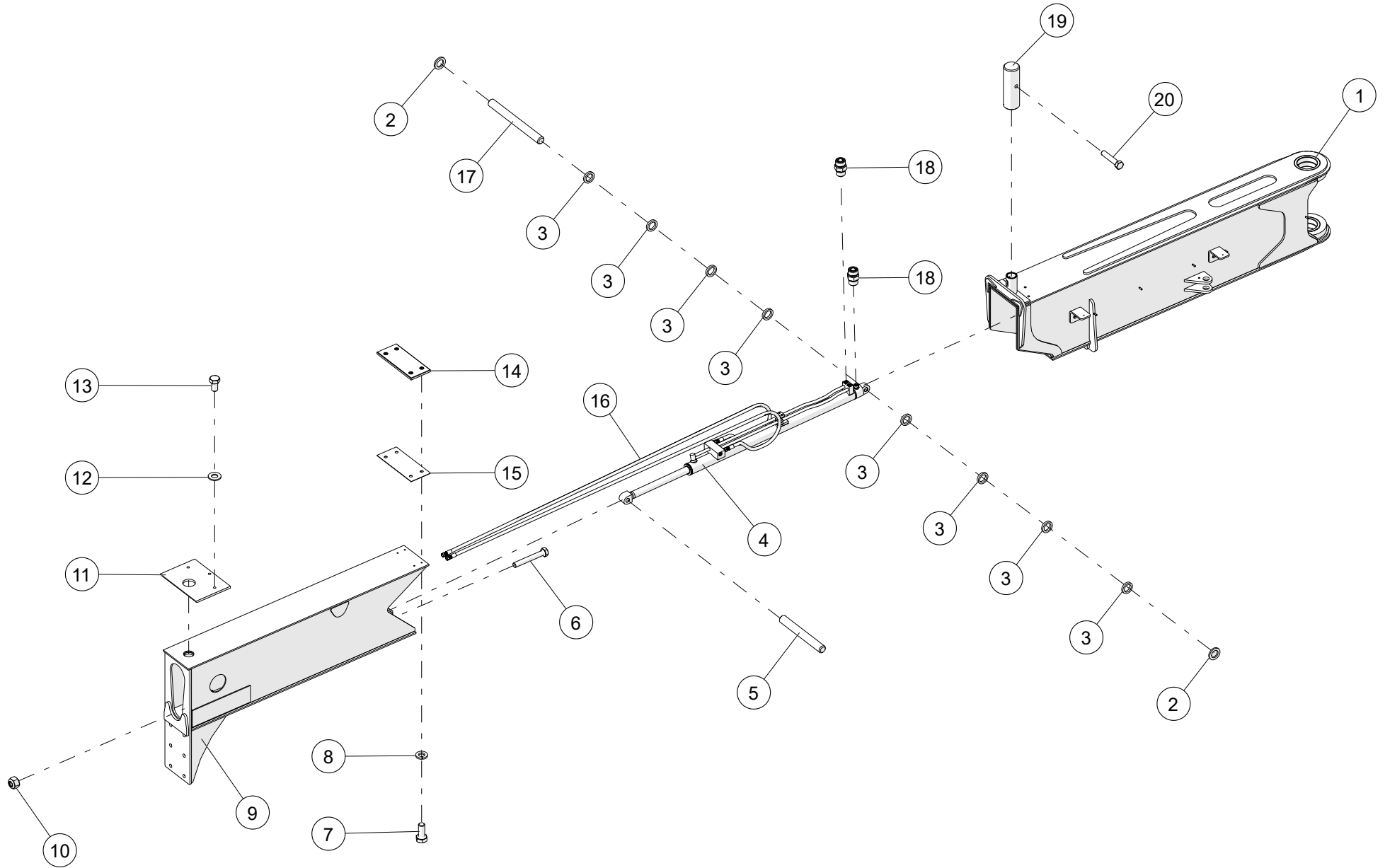
WHEN ORDERING PARTS, SPECIFY MODEL NUMBER, SERIAL NUMBER AND DESCRIPTION OF PARTS REQUIRED

OUTRIGGER INSTALLATION

ITEM	PART NUMBER	DESCRIPTION	QUANTITY	NOTES
	1032975	OUTRIGGER INSTALLATION		
1	1033903	OUTRIGGER ASSY-REAR LH	1	SEE PAGE 241
2	18Z2279-D3	RUBBER WASHER	8	
3	1033975	OUTRIGGER PAD, 24" SAUBER 2424-LKA	4	
4	19Z286-D2	LOCK PIN WITH SQUARE WIRE	8	
5	HHCS-C5007505Z0	HEX HEAD CAP SCREW, 1/2-13 X 3/4 LEN, GR5, ZN	4	
6	WSH4-X5000008Z0	SPIRAL LOCK WASHER, 1/2, GR8, ZN	36	
7	WSH2-X5000008Z0	SAE WASHER, 1/2, GR8, ZN	4	
8	T118684	BRACKET, SENSOR MOUNT	4	
9	T130864	PLATE	8	
10	HHCS-C500A375Z0	HEX HEAD CAP SCREW, 1/2-13 X 1 3/8 LEN, GR5, ZN	20	
11	T130879	PIN, 5 INCH DIAMETER	8	
12	T148483	.250 NPT 90 DEG GREASE FITTING	8	
13	1033909	OUTRIGGER ASSY- FRONT LH	1	SEE PAGE 243
14	1033915	OUTRIGGER ASSY- FRONT RH	1	SEE PAGE 245
15	HHCS-C500A005Z0	HEX HEAD CAP SCREW, 1/2-13 X 1 LEN, GR5, ZN	12	
16	1033918	OUTRIGGER ASSY, REAR RH	1	SEE PAGE 247

WHEN ORDERING PARTS, SPECIFY MODEL NUMBER, SERIAL NUMBER AND DESCRIPTION OF PARTS REQUIRED

OUTRIGGER ASSEMBLY-REAR LH



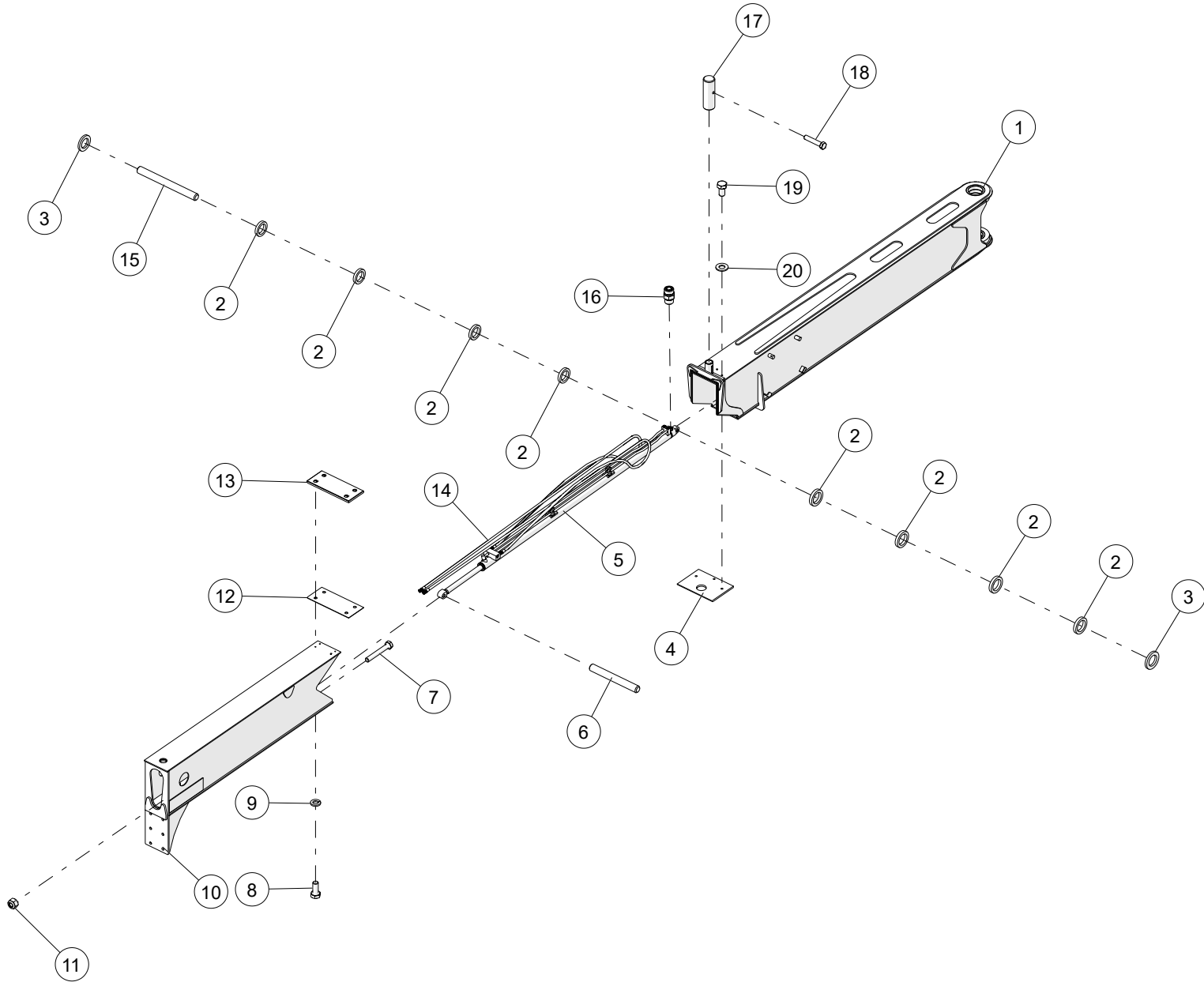
WHEN ORDERING PARTS, SPECIFY MODEL NUMBER, SERIAL NUMBER AND DESCRIPTION OF PARTS REQUIRED

OUTRIGGER ASSEMBLY-REAR LH

ITEM	PART NUMBER	DESCRIPTION	QUANTITY	NOTES
	1033903	OUTRIGGER ASSY-REAR LH		
1	1033482	LH PRIMARY ARM WELDMENT, REAR	1	
2	1209-107	WASHER	2	
3	706-8973	SPACER	8	
4	T163586	O/R EXTEND CYLINDER	1	
5	T113714	PIN, 1.00 X 8.38	1	
6	HHCS-C313B258R0	HEX HEAD CAP SCREW, 5/16-18 X 2 1/4 LEN, GR8, NF	4	
7	HHCS-C3137508Z0	HEX HEAD CAP SCREW, 5/16-18 X 3/4 LEN, GR8, ZN	4	
8	WSH4-X3130008Z0	SPIRAL LOCK WASHER, 5/16, GR8, ZN	4	
9	1033495	BEAM WELDMENT, REAR SECONDARY	1	
10	NUT3-C3130005Z0	NYLON LOCK NUT, 5/16-18, GR5, ZN	4	
11	T116744	PLATE, SPACER	1	
12	WSH1-X5000008Z0	WASHER, 1/2, GR8, ZN	3	
13	HHCS-C5008758Z0	HEX HEAD CAP SCREW, 1/2-13 X 7/8 LEN, GR8, ZN	3	
14	T117939	WEAR PAD, 9.375 X 4.00 X .375	1	
15	T126301	SPACER, OUTRIGGER	1	
16	1034642	HOSE,-8,3000,FOFS-8SW/FOFS-8SW,126.97	2	
17	T113713	PIN, 1.00 X 10.38	1	
18	1010076	ADAPTER, MOFS-8/MORB-8	5	
19	T116348	LOCK ROD	1	
20	HHCS-C500B505Z0	HEX HEAD CAP SCREW, 1/2-13 X 2 1/2 LEN, GR5, ZN	1	

WHEN ORDERING PARTS, SPECIFY MODEL NUMBER, SERIAL NUMBER AND DESCRIPTION OF PARTS REQUIRED

OUTRIGGER ASSEMBLY FRONT- RH



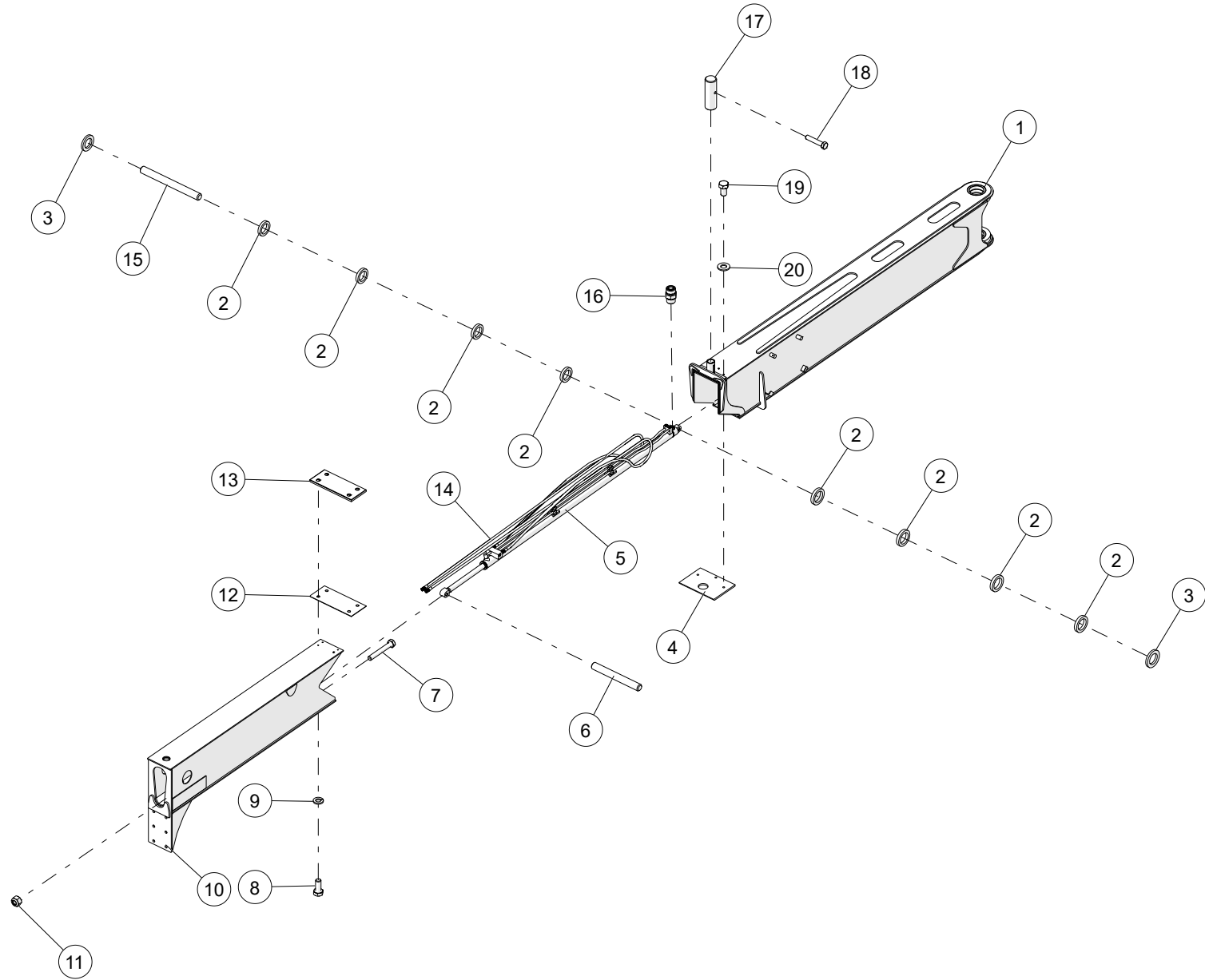
WHEN ORDERING PARTS, SPECIFY MODEL NUMBER, SERIAL NUMBER AND DESCRIPTION OF PARTS REQUIRED

OUTRIGGER ASSEMBLY FRONT- RH

ITEM	PART NUMBER	DESCRIPTION	QUANTITY	NOTES
	1033909	OUTRIGGER ASSEMBLY FRONT- RH		
1	1033443	LH PRIMARY ARM WELDMENT, FRONT	1	
2	706-8973	SPACER	8	
3	1209-107	WASHER	2	
4	T116744	PLATE, SPACER	1	
5	T163585	O/R EXTEND CYLINDER	1	
6	T113714	PIN, 1.00 X 8.38	1	
7	HHCS-C313B255Z0	HEX HEAD CAP SCREW, 5/16-18 X 2 1/4 LEN, GR5, ZN	4	
8	HHCS-C3137505Z0	HEX HEAD CAP SCREW, 5/16-18 X 3/4 LEN, GR5, ZN	4	
9	WSH4-X3130008Z0	SPIRAL LOCK WASHER, 5/16, GR8, ZN	4	
10	1033497	BEAM WELDMENT, FRONT SECONDARY	1	
11	NUT3-C3130005Z0	NYLON LOCK NUT, 5/16-18, GR5, ZN	4	
12	T126301	SPACER, OUTRIGGER	1	
13	T117939	WEAR PAD, 9.375 X 4.00 X .375	1	
14	1034647	HOSE,-8,3000,FOFS-8SW/FOFS-8SW,143.19	2	
15	T113713	PIN, 1.00 X 10.38	1	
16	1010076	ADAPTER, MOFS-8/MORB-8	5	
17	T116348	LOCK ROD	1	
18	HHCS-C500B505Z0	HEX HEAD CAP SCREW, 1/2-13 X 2 1/2 LEN, GR5, ZN	1	
19	HHCS-C5008758Z0	HEX HEAD CAP SCREW, 1/2-13 X 7/8 LEN, GR8, ZN	3	
20	WSH1-X5000008Z0	WASHER, 1/2, GR8, ZN	3	

WHEN ORDERING PARTS, SPECIFY MODEL NUMBER, SERIAL NUMBER AND DESCRIPTION OF PARTS REQUIRED

OUTRIGGER ASSEMBLY- FRONT LH



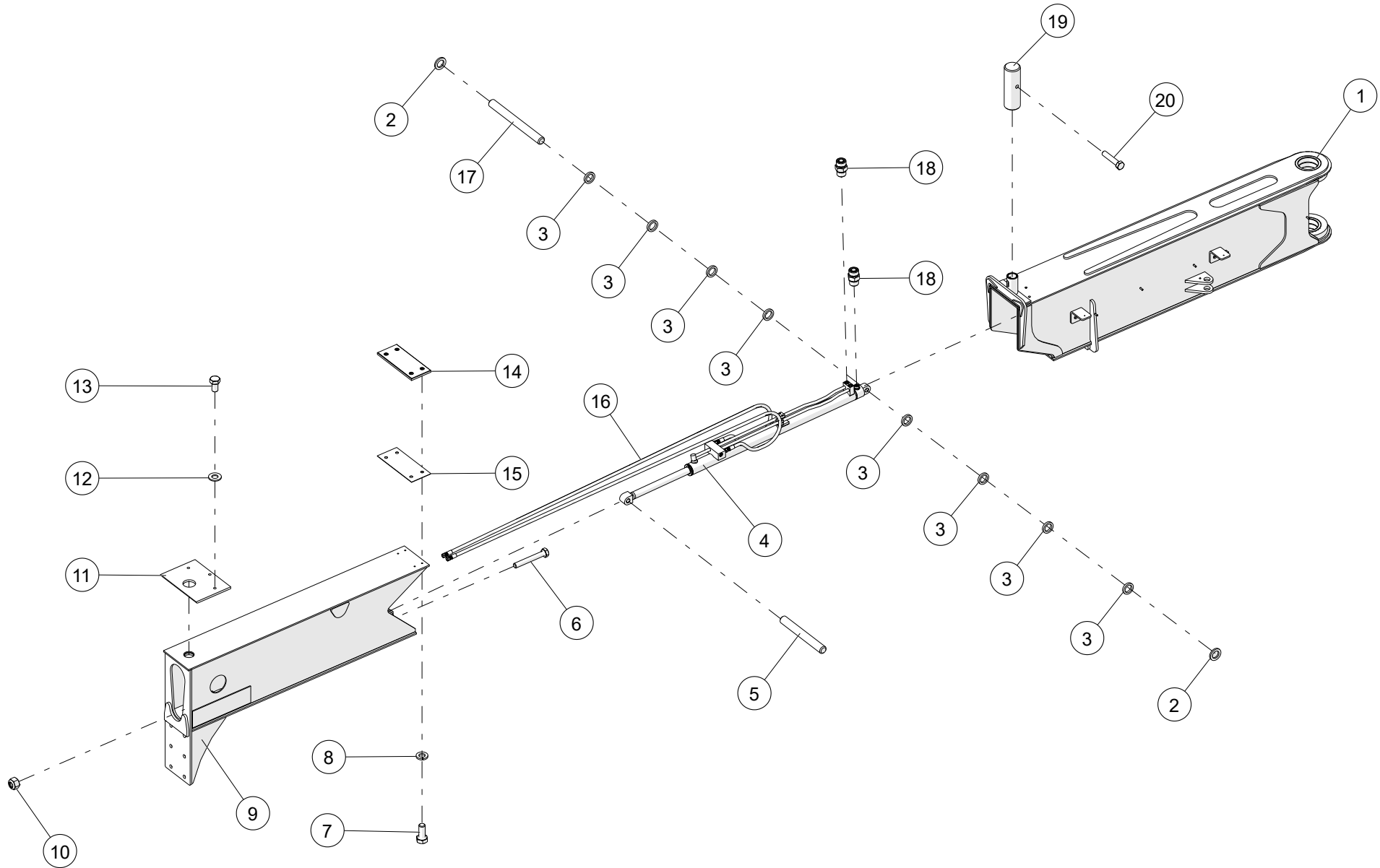
WHEN ORDERING PARTS, SPECIFY MODEL NUMBER, SERIAL NUMBER AND DESCRIPTION OF PARTS REQUIRED

OUTRIGGER ASSEMBLY- FRONT LH

ITEM	PART NUMBER	DESCRIPTION	QUANTITY	NOTES
	1033915	OUTRIGGER ASSEMBLY- FRONT LH		
1	1033462	RH PRIMARY ARM WELDMENT, FRONT	1	
2	706-8973	SPACER	8	
3	1209-107	WASHER	2	
4	T116744	PLATE, SPACER	1	
5	T163585	O/R EXTEND CYLINDER	1	
6	T113714	PIN, 1.00 X 8.38	1	
7	HHCS-C313B258R0	HEX HEAD CAP SCREW, 5/16-18 X 2 1/4 LEN, GR8, NF	4	
8	HHCS-C3137508Z0	HEX HEAD CAP SCREW, 5/16-18 X 3/4 LEN, GR8, ZN	4	
9	WSH4-X3130008Z0	SPIRAL LOCK WASHER, 5/16, GR8, ZN	4	
10	1033497	BEAM WELDMENT, FRONT SECONDARY	1	
11	NUT3-C3130005Z0	NYLON LOCK NUT, 5/16-18, GR5, ZN	4	
12	T126301	SPACER, OUTRIGGER	1	
13	T117939	WEAR PAD, 9.375 X 4.00 X .375	1	
14	1034647	HOSE,-8,3000,FOFS-8SW/FOFS-8SW,143.19	2	
15	T113713	PIN, 1.00 X 10.38	1	
16	1010076	ADAPTER, MOFS-8/MORB-8	5	
17	T116348	LOCK ROD	1	
18	HHCS-C500B505Z0	HEX HEAD CAP SCREW, 1/2-13 X 2 1/2 LEN, GR5, ZN	1	
19	HHCS-C5008758Z0	HEX HEAD CAP SCREW, 1/2-13 X 7/8 LEN, GR8, ZN	3	
20	WSH1-X5000008Z0	WASHER, 1/2, GR8, ZN	3	

WHEN ORDERING PARTS, SPECIFY MODEL NUMBER, SERIAL NUMBER AND DESCRIPTION OF PARTS REQUIRED

OUTRIGGER ASSEMBLY REAR -RH



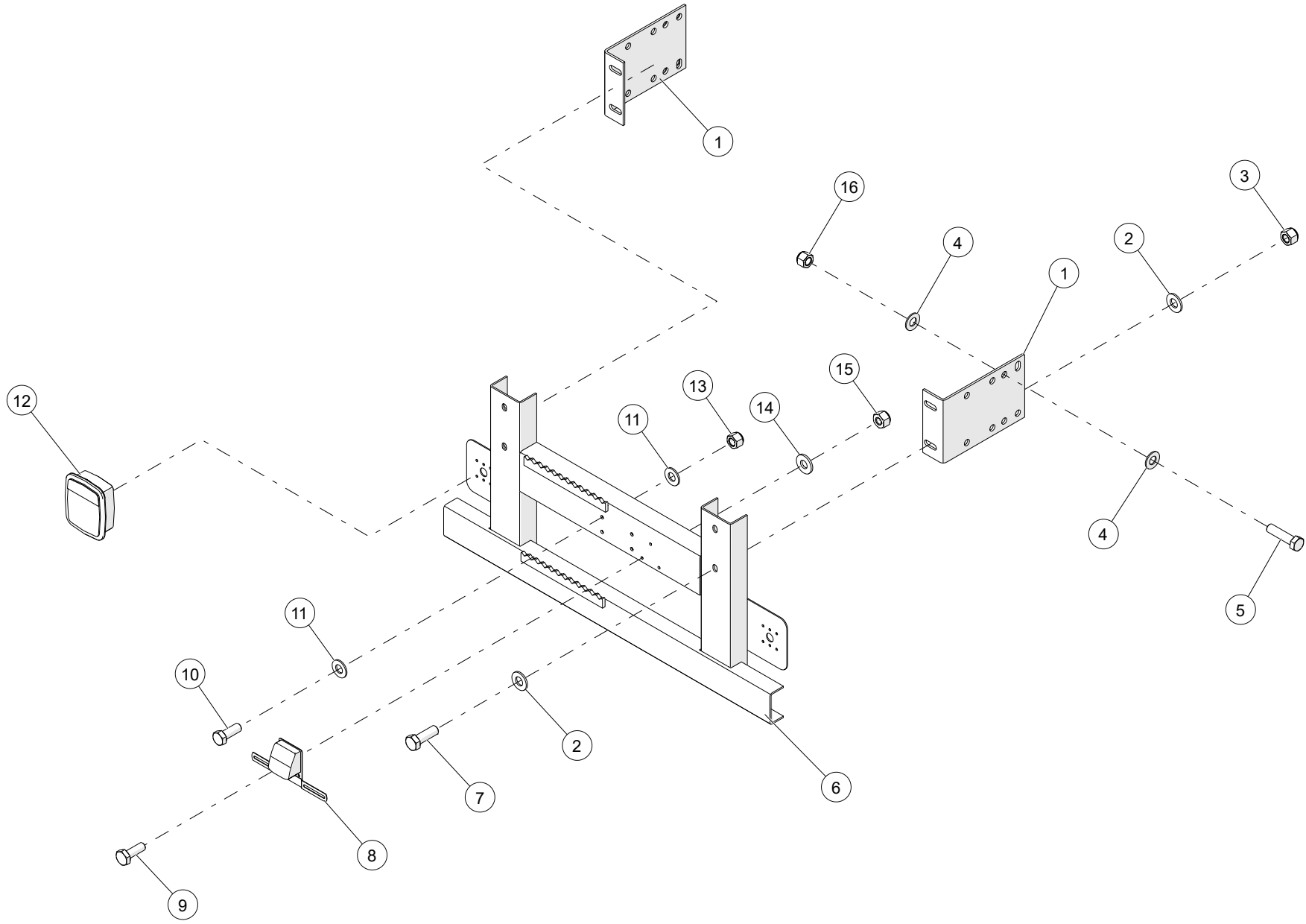
WHEN ORDERING PARTS, SPECIFY MODEL NUMBER, SERIAL NUMBER AND DESCRIPTION OF PARTS REQUIRED

OUTRIGGER ASSEMBLY REAR -RH

ITEM	PART NUMBER	DESCRIPTION	QUANTITY	NOTES
	1033918	OUTRIGGER ASSEMBLY - REAR RH		
1	1033432	RH PRIMARY ARM WELDMENT, REAR	1	
2	1209-107	WASHER	2	
3	706-8973	SPACER	8	
4	T163586	O/R EXTEND CYLINDER	1	
5	T113714	PIN, 1.00 X 8.38	1	
6	HHCS-C313B255Z0	HEX HEAD CAP SCREW, 5/16-18 X 2 1/4 LEN, GR5, ZN	4	
7	HHCS-C3137505Z0	HEX HEAD CAP SCREW, 5/16-18 X 3/4 LEN, GR5, ZN	4	
8	WSH4-X3130008Z0	SPIRAL LOCK WASHER, 5/16, GR8, ZN	4	
9	1033495	BEAM WELDMENT, REAR SECONDARY	1	
10	NUT3-C3130005Z0	NYLON LOCK NUT, 5/16-18, GR5, ZN	4	
11	T116744	PLATE, SPACER	1	
12	WSH1-X5000008Z0	WASHER, 1/2, GR8, ZN	3	
13	HHCS-C5008758Z0	HEX HEAD CAP SCREW, 1/2-13 X 7/8 LEN, GR8, ZN	3	
14	T117939	WEAR PAD, 9.375 X 4.00 X .375	1	
15	T126301	SPACER, OUTRIGGER	1	
16	1034642	HOSE,-8,3000,FOFS-8SW/FOFS-8SW,126.97	2	
17	T113713	PIN, 1.00 X 10.38	1	
18	1010076	ADAPTER, MOFS-8/MORB-8	5	
19	T116348	LOCK ROD	1	
20	HHCS-C500B505Z0	HEX HEAD CAP SCREW, 1/2-13 X 2 1/2 LEN, GR5, ZN	1	

WHEN ORDERING PARTS, SPECIFY MODEL NUMBER, SERIAL NUMBER AND DESCRIPTION OF PARTS REQUIRED

REAR BUMPER ASSEMBLY



WHEN ORDERING PARTS, SPECIFY MODEL NUMBER, SERIAL NUMBER AND DESCRIPTION OF PARTS REQUIRED

REAR BUMPER ASSEMBLY

ITEM	PART NUMBER	DESCRIPTION	QUANTITY	NOTES
	T122108	REAR BUMPER ASSEMBLY		
1	T122109	BRACKET, REAR BUMPER	2	
2	WSH2-X5000008Z0	SAE WASHER, 1/2, GR8, ZN	8	
3	NUT3-C5000005Z0	NYLON LOCK NUT, 1/2-13, GR5, ZN	4	
4	WSH1-X6250008Z0	WASHER, 5/8, GR8, ZN	16	
5	HHCS-C625B508M0	HEX HEAD CAP SCREW, 5/8-11 X 2 1/2 LEN, GR8, MA	8	
6	T122111	REAR BUMPER WELDMENT	1	
7	HHCS-C500A505Z0	HEX HEAD CAP SCREW, 1/2-13 X 1 1/2 LEN, GR5, ZN	4	
8	11731	LAMP LICENSE BRACKET	1	
9	HHCS-C2507505Z0	HEX HEAD CAP SCREW, 1/4-20 X 3/4 LEN, GR5, ZN	2	
10	HHCS-C375A005Z0	HEX HEAD CAP SCREW, 3/8-16 X 1 LEN, GR5, ZN	4	
11	WSH1-X3750008Z0	WASHER, 3/8, GR8, ZN	8	
12	T120619	TAIL LIGHT,MULTI FUNCTION	2	
13	NUT3-C3750005Z0	NYLON LOCK NUT, 3/8-16, GR5, ZN	4	
14	WSH1-X2500008Z0	WASHER, 1/4, GR8, ZN	2	
15	NUT3-C2500005Z0	NYLON LOCK NUT, 1/4-20, GR5, ZN	2	
16	NUT3-C6250002M0	NYLON LOCK NUT, 5/8-11, GR2, MA	8	

WHEN ORDERING PARTS, SPECIFY MODEL NUMBER, SERIAL NUMBER AND DESCRIPTION OF PARTS REQUIRED

NON - ILLUSTRATED PAGE

WHEN ORDERING PARTS, SPECIFY MODEL NUMBER, SERIAL NUMBER AND DESCRIPTION OF PARTS REQUIRED

LOWER ELECTRIC ASSEMBLY

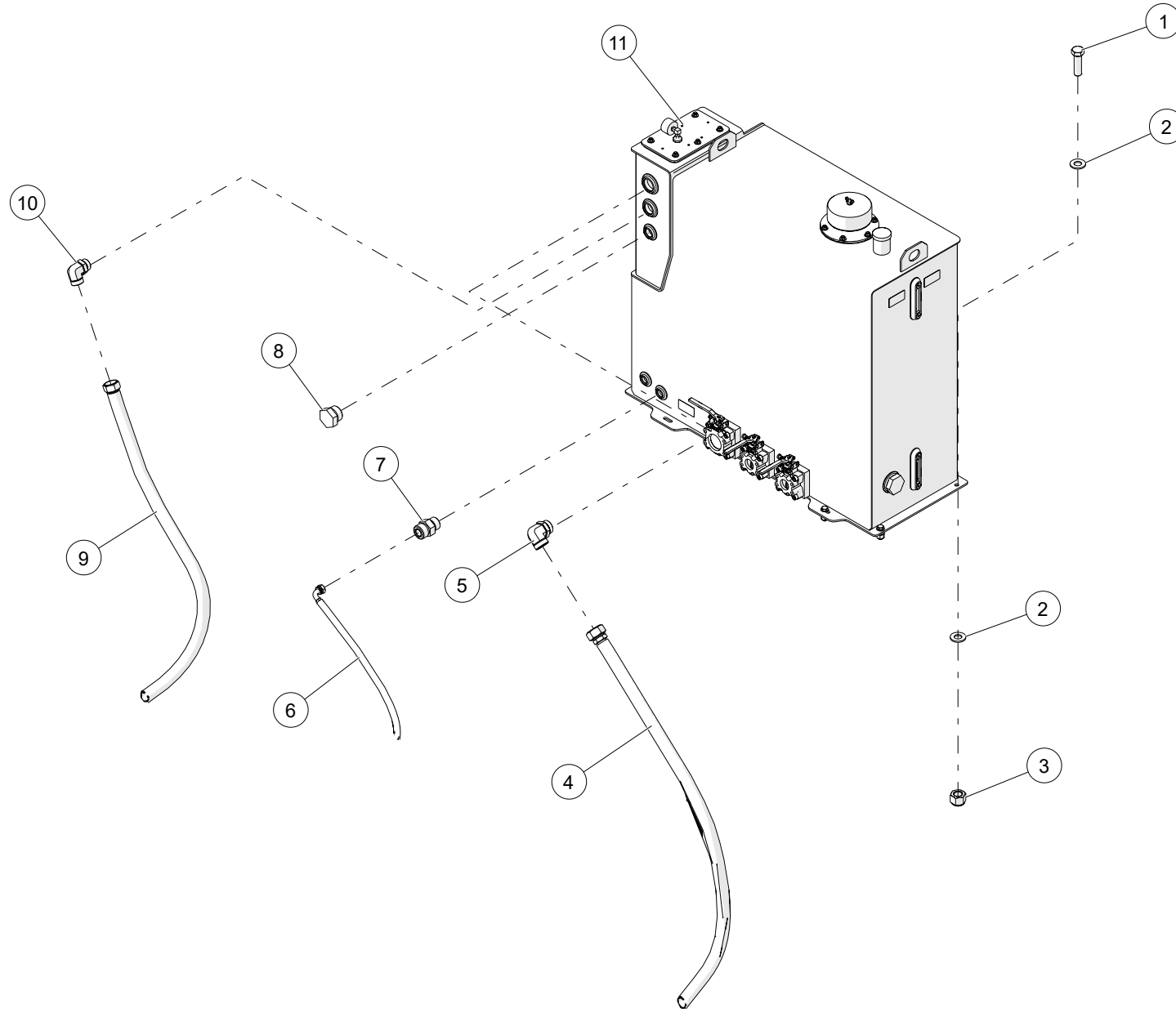
ITEM	PART NUMBER	DESCRIPTION	QUANTITY	NOTES
	1027167	LOWER ELECTRICAL ASSEMBLY		
1	1008353	TEMP SENSOR	1	
2	1008366	SENSOR, HYDRAULIC PRESSUR 6000 PSI	2	
3	1034145	HARNESS, TAIL LIGHT	1	
4	1032425	HARNESS LOWER	1	
5	714A1432	ALARM, BACKUP/OR	1	
6	T113654	BRACKET, FUSE	1	
7	T118879	SENSOR, INDUCTIVE	8	
8	T120217	PROXIMITY SWITCH	4	
9	T133237	HARNESS, REAR O/R SENSOR	2	
10	T133823	HARNESS, FRONT O/R SENSOR	2	
11	T165470	12V 3/4" RED SIDE MARKER LIGHT	2	
12	T165471	12V 3/4" AMBER SIDE MARKER LIGHT	4	

WHEN ORDERING PARTS, SPECIFY MODEL NUMBER, SERIAL NUMBER AND DESCRIPTION OF PARTS REQUIRED

LOWER HYDRAULIC ASSEMBLY

ITEM	PART NUMBER	DESCRIPTION	QUANTITY	NOTES
	1034605	LOWER HYDRAULICS		
1	1-ASSEMBLY	FOR REFERENCE ONLY	1	SEE PAGE 255
2	2-ASSEMBLY	FOR REFERENCE ONLY	4	SEE PAGE 257
3	3-ASSEMBLY	FOR REFERENCE ONLY	1	SEE PAGE 259
4	4-ASSEMBLY	FOR REFERENCE ONLY	2	SEE PAGE 261
5	5-ASSEMBLY	FOR REFERENCE ONLY	1	SEE PAGE 263
6	6-ASSEMBLY	FOR REFERENCE ONLY	1	SEE PAGE 267
7	7-ASSEMBLY	FOR REFERENCE ONLY	2	SEE PAGE 271
8	8-ASSEMBLY	FOR REFERENCE ONLY	1	SEE PAGE 273
9	9-ASSEMBLY	FOR REFERENCE ONLY	1	SEE PAGE 275
10	10-ASSEMBLY	FOR REFERENCE ONLY	1	SEE PAGE 279

WHEN ORDERING PARTS, SPECIFY MODEL NUMBER, SERIAL NUMBER AND DESCRIPTION OF PARTS REQUIRED

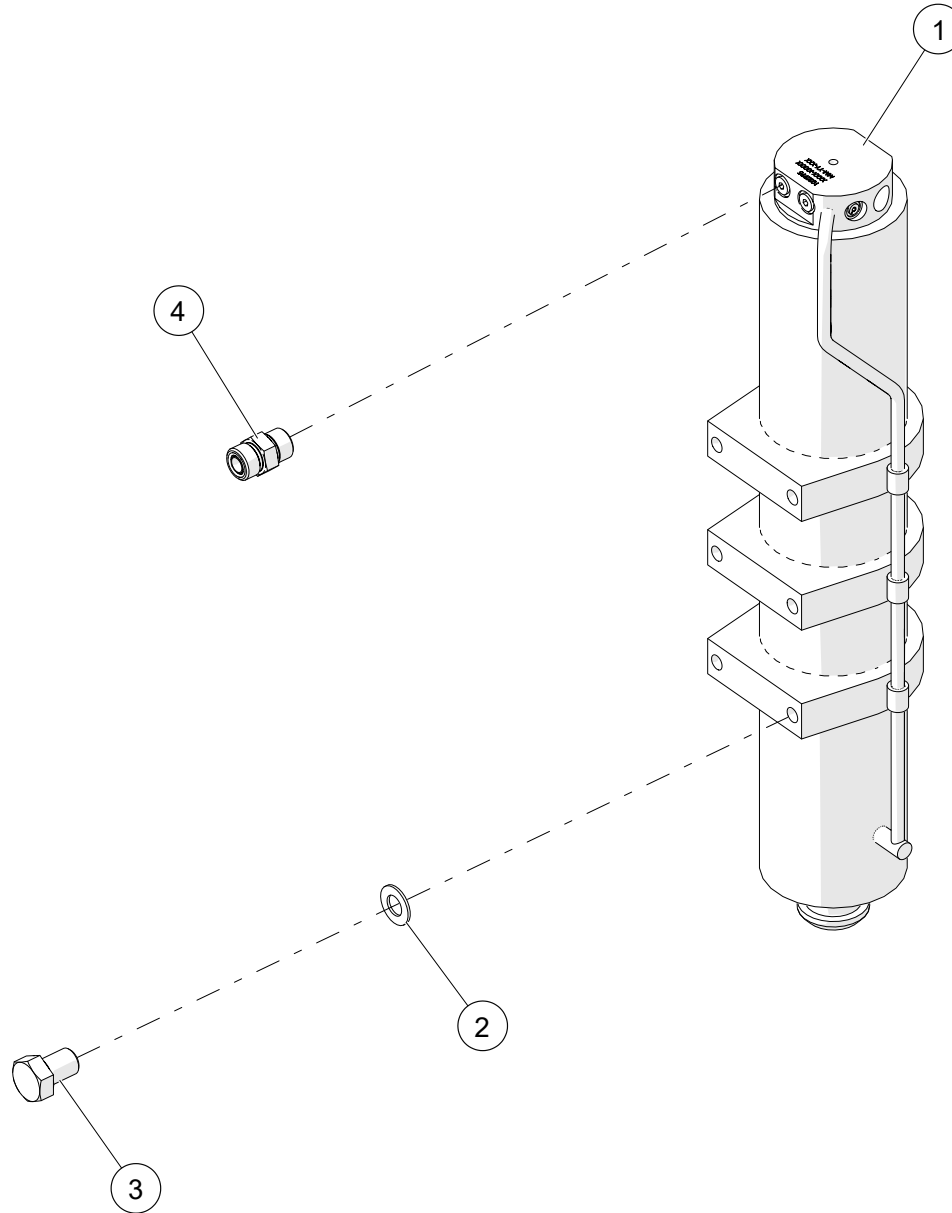


WHEN ORDERING PARTS, SPECIFY MODEL NUMBER, SERIAL NUMBER AND DESCRIPTION OF PARTS REQUIRED

1-ASSEMBLY

ITEM	PART NUMBER	DESCRIPTION	QUANTITY	NOTES
	1-ASSEMBLY	FOR REFERENCE ONLY		
1	HHCS-C500A758Z0	HEX HEAD CAP SCREW, 1/2-13 X 1 3/4 LEN, GR8, ZN	5	
2	WSH1-X5000008Z0	WASHER, 1/2, GR8, ZN	14	
3	NUT3-C6250008Z0	NYLON LOCK NUT, 5/8-11, GR8, ZN	5	
4	1034762	HOSE, -24, 150 PSI, FOFS-24SW/FOFS-24SW, 220	1	
5	1014029	ELBOW, 90, MOFS-24/MORB-24	2	
6	1034770	HOSE, -10, 300 PSI, 90 FOFS-10SW/ FOFS-10SW, 182.75	1	
7	1010081	ADAPTER, MOFS-10/MORB-10	1	
8	1019670	PLUG, HEX, ORB-12	1	
9	1034608	HOSE, -20, 200 PSI FOFS-20SW/ FOFS-20SW, 97.5	1	
10	1014064	ELBOW,90,MOFS-20/MORB-20	2	
11	1008342	TANK, HYDRAULIC	1	

WHEN ORDERING PARTS, SPECIFY MODEL NUMBER, SERIAL NUMBER AND DESCRIPTION OF PARTS REQUIRED



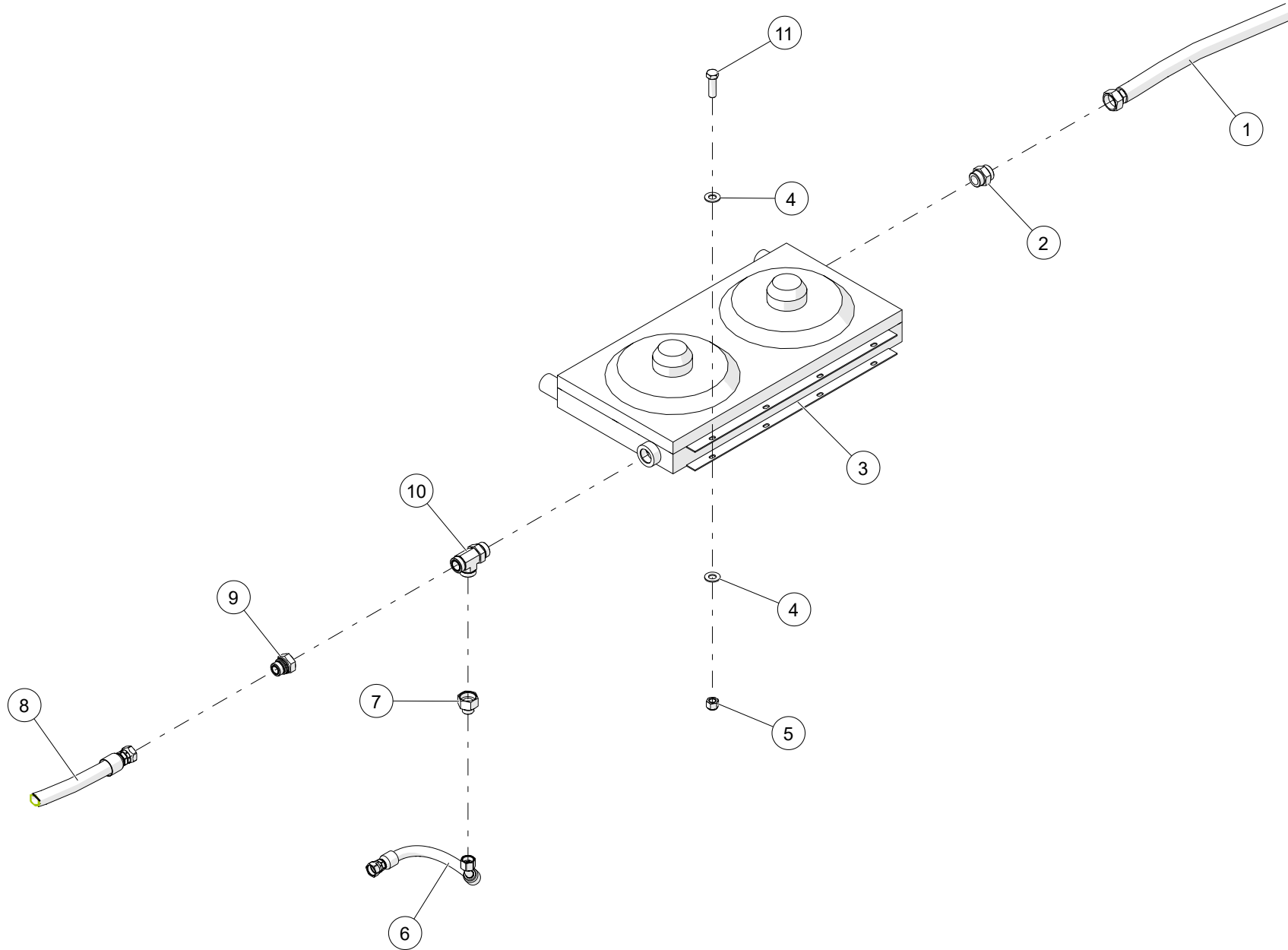
WHEN ORDERING PARTS, SPECIFY MODEL NUMBER, SERIAL NUMBER AND DESCRIPTION OF PARTS REQUIRED

2-ASSEMBLY

ITEM	PART NUMBER	DESCRIPTION	QUANTITY	NOTES
	2-ASSEMBLY	FOR REFERENCE ONLY		
1	1032995	CYLINDER, JACK	4	
2	WSH1-XA000008Z0	WASHER, 1, GR8, ZN	24	
3	HHCS-C875A258M0	HEX HEAD CAP SCREW, 7/8-9 X 1 1/4 LEN, GR8, MA	24	
4	1010076	ADAPTER, MOFS-8/MORB-8	18	

WHEN ORDERING PARTS, SPECIFY MODEL NUMBER, SERIAL NUMBER AND DESCRIPTION OF PARTS REQUIRED

3-ASSEMBLY

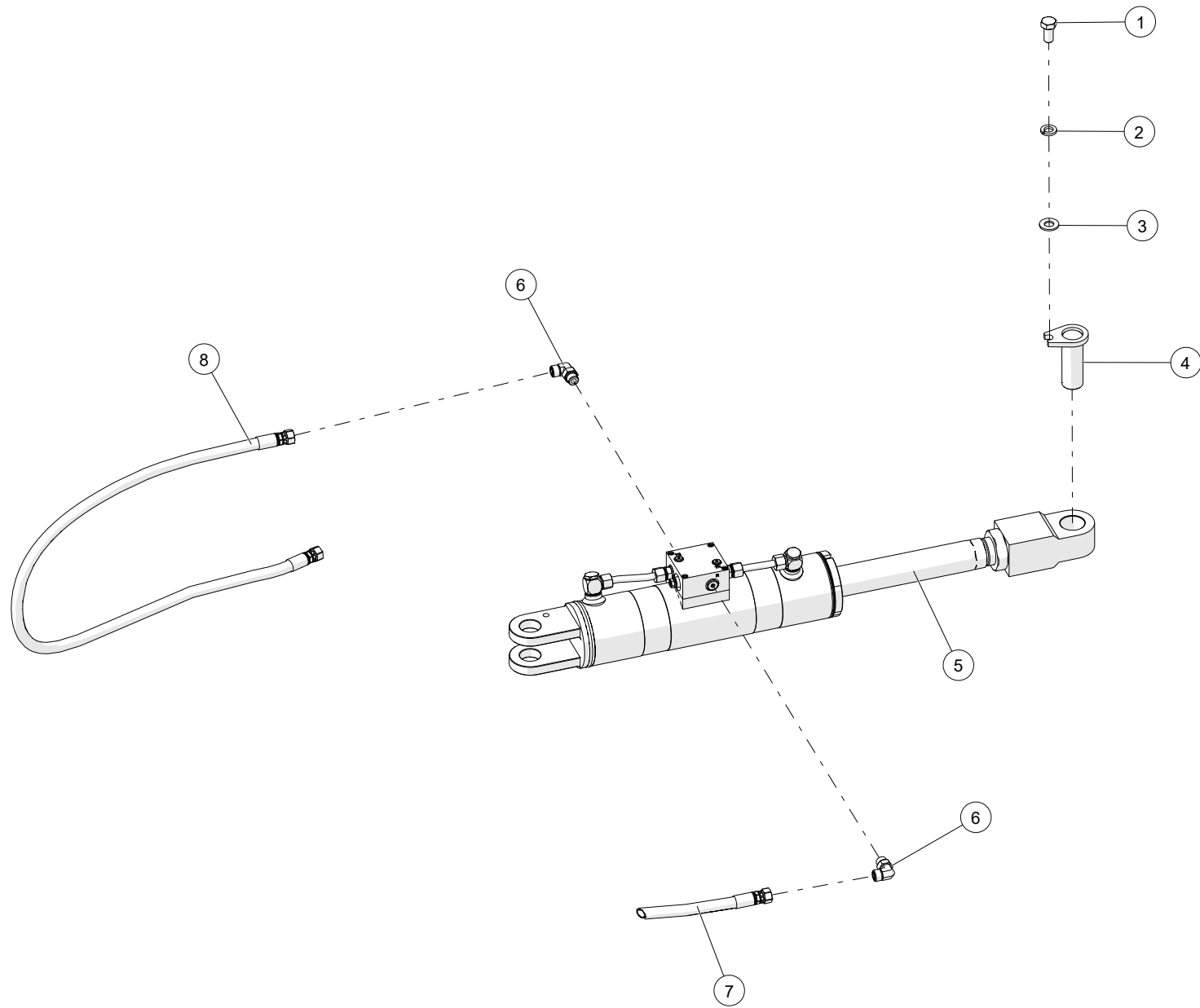


WHEN ORDERING PARTS, SPECIFY MODEL NUMBER, SERIAL NUMBER AND DESCRIPTION OF PARTS REQUIRED

3-ASSEMBLY

ITEM	PART NUMBER	DESCRIPTION	QUANTITY	NOTES
	3-ASSEMBLY	FOR REFERENCE ONLY		
1	1034608	HOSE, -20, 200 PSI FOFS-20SW/ FOFS-20SW, 97.5	1	
2	1010098	ADAPTER, MOFS-20/MORB-20	1	
3	T113593	OIL COOLER	1	
4	WSH1-X3750008Z0	WASHER, 3/8, GR8, ZN	32	
5	NUT3-C3750005Z0	NYLON LOCK NUT, 3/8-16, GR5, ZN	14	
6	1041540	HOSE, -12,300, 45FOFS-12SW/FOFS-12SW,21.0	1	
7	1010023	ADAPTER, FOFS-20/MOFS-12	1	
8	1034676	HOSE, -16,250, FOFS-16SW/FOFS-16SW,72	1	
9	1010025	ADAPTER, FOFS-20/MOFS-16	1	
10	1018089	TEE, MOFS-20/MORB-20/MOFS-20	1	
11	HHCS-C375A255Z0	HEX HEAD CAP SCREW, 3/8-16 X 1 1/4 LEN, GR5, ZN	8	

WHEN ORDERING PARTS, SPECIFY MODEL NUMBER, SERIAL NUMBER AND DESCRIPTION OF PARTS REQUIRED

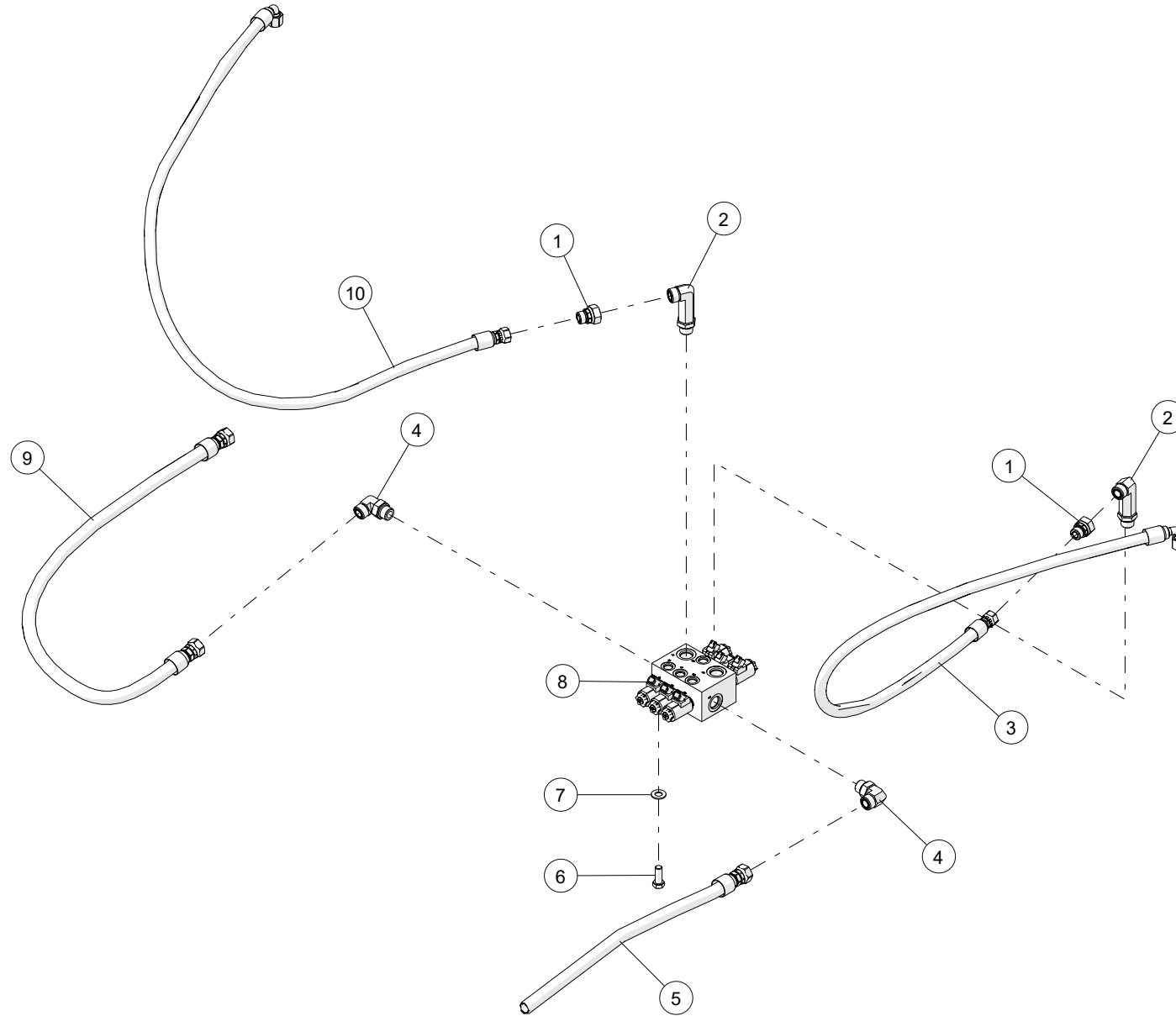


WHEN ORDERING PARTS, SPECIFY MODEL NUMBER, SERIAL NUMBER AND DESCRIPTION OF PARTS REQUIRED

4-ASSEMBLY

ITEM	PART NUMBER	DESCRIPTION	QUANTITY	NOTES
	4-ASSEMBLY	FOR REFERENCE ONLY		
1	HHCS-C500A005Z0	HEX HEAD CAP SCREW, 1/2-13 X 1 LEN, GR5, ZN	8	
2	WSH4-X5000008Z0	SPIRAL LOCK WASHER, 1/2, GR8, ZN	8	
3	WSH2-X5000008Z0	SAE WASHER, 1/2, GR8, ZN	8	
4	710F0412	PIN ASS'Y, STEER CYL	8	
5	T163587	SWING CYLINDER	2	
6	1014008	ELBOW, 90, MORB-8/MOFS-8	2	
7	1034696	HOSE, -8, 3000, FOFS-8SW/FOFS-8SW, 90	1	
8	1034698	HOSE, -8, 4000, FOFS-8SW/FOFS-8SW, 62.5	1	

WHEN ORDERING PARTS, SPECIFY MODEL NUMBER, SERIAL NUMBER AND DESCRIPTION OF PARTS REQUIRED

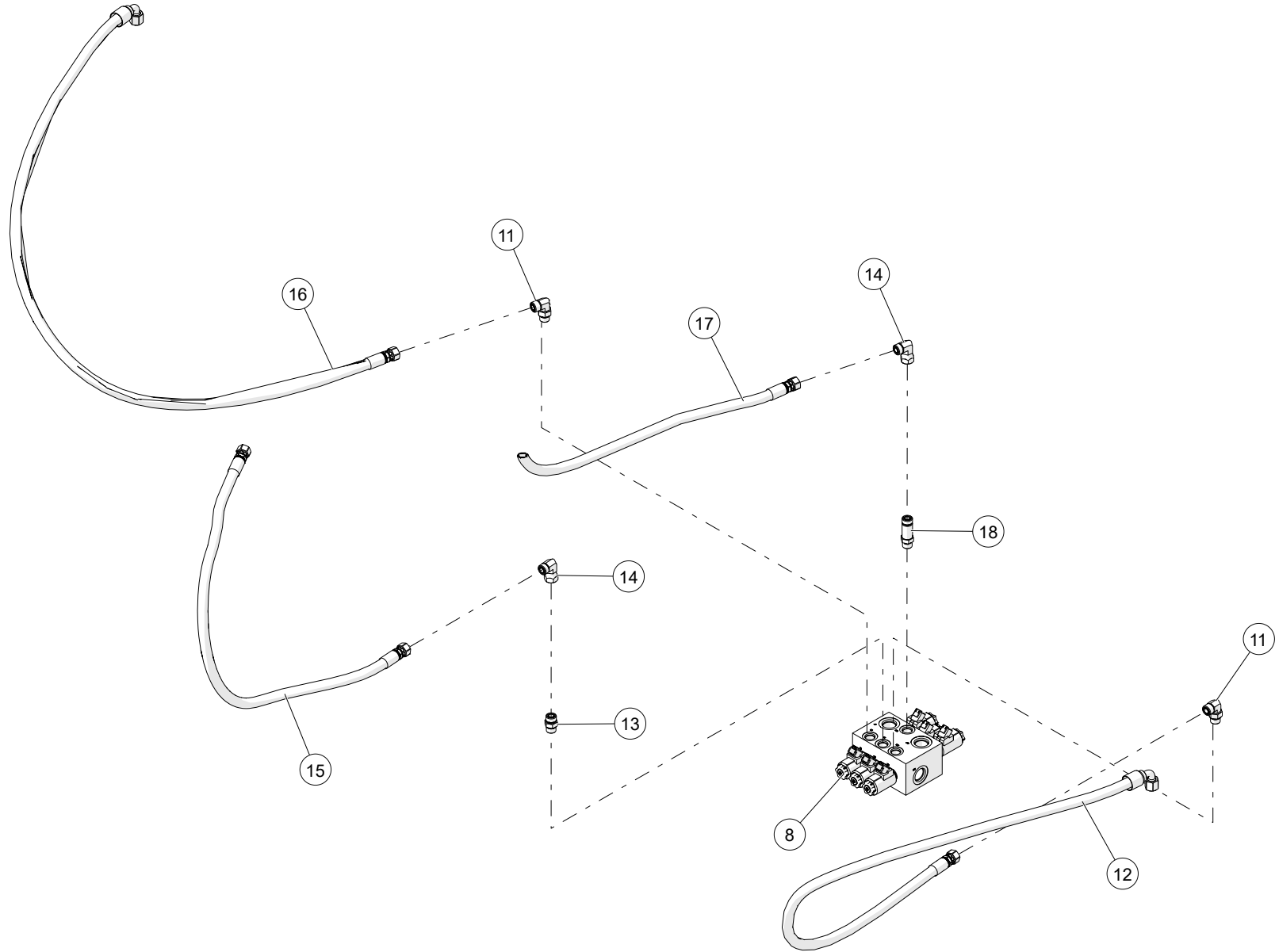


WHEN ORDERING PARTS, SPECIFY MODEL NUMBER, SERIAL NUMBER AND DESCRIPTION OF PARTS REQUIRED

5-ASSEMBLY

ITEM	PART NUMBER	DESCRIPTION	QUANTITY	NOTES
	5-ASSEMBLY	FOR REFERENCE ONLY		
1	1010015	ADAPTER, FOFS-12/MOFS-10	4	
2	1014018	ELBOW, 90, MOFS-12/MORB-12, L	6	
3	1034716	HOSE, -10, 4000,90FOFS-10SW/FOFS-10SW, 71	1	
4	1014019	ELBOW, 90, MOFS-12/MORB-12	6	
5	1024737	HOSE, -12, 4000, FOFS-12SW/FOFS-12SW, 86.0	1	
6	HHCS-C375A005Z0	HEX HEAD CAP SCREW, 3/8-16 X 1 LEN, GR5, ZN	8	
7	WSH1-X3750008Z0	WASHER, 3/8, GR8, ZN	32	
8	1007211	O/R SELECTOR VALVE	2	
9	1027995	HOSE, -12, 3000, FOFS-12SW/FOFS-12SW, 65	1	
10	1034742	HOSE, -10, 4000, 90FOFS-10SW/FOFS-10SW, 84.25	1	

WHEN ORDERING PARTS, SPECIFY MODEL NUMBER, SERIAL NUMBER AND DESCRIPTION OF PARTS REQUIRED

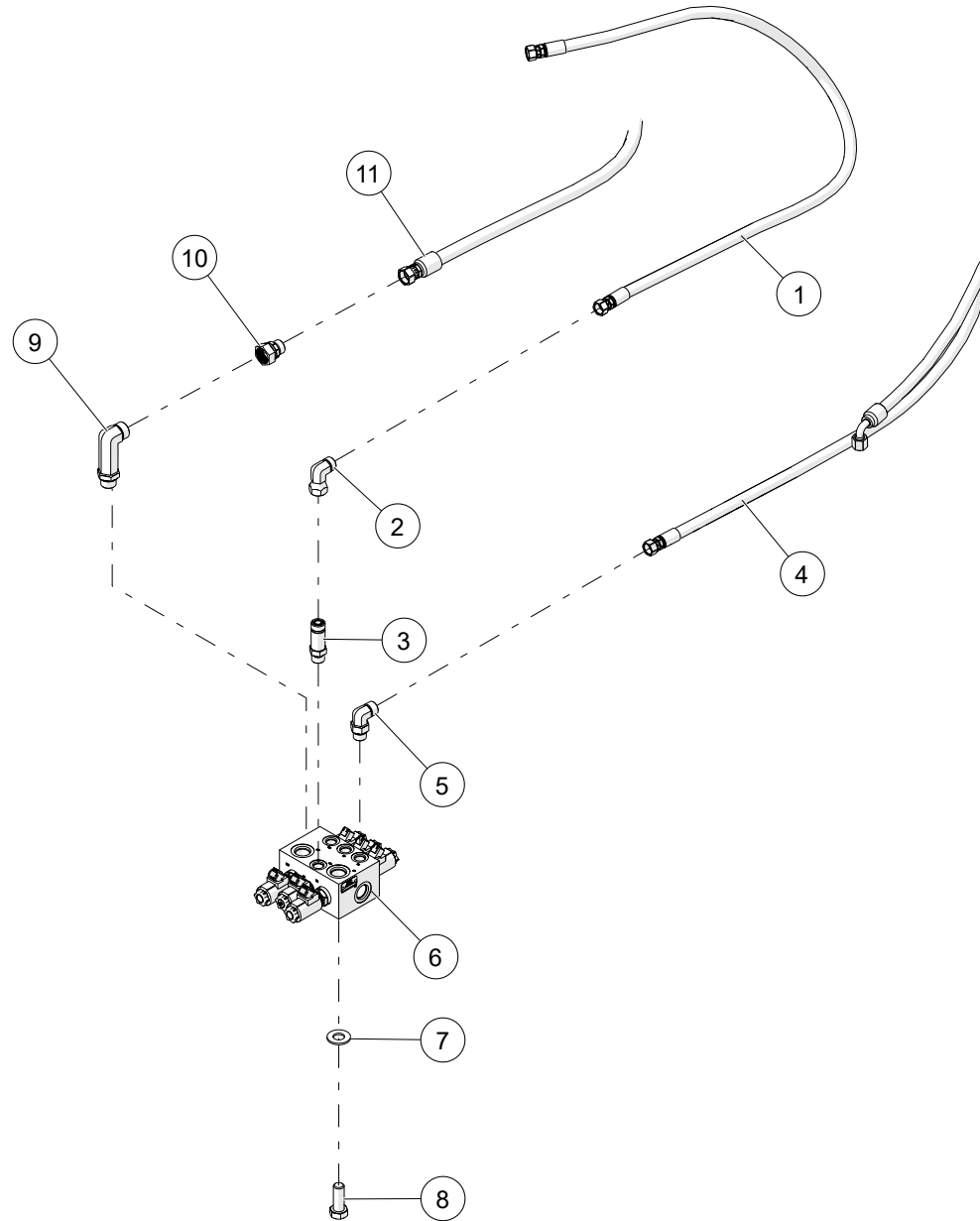


WHEN ORDERING PARTS, SPECIFY MODEL NUMBER, SERIAL NUMBER AND DESCRIPTION OF PARTS REQUIRED

5-ASSEMBLY

ITEM	PART NUMBER	DESCRIPTION	QUANTITY	NOTES
	5-ASSEMBLY	FOR REFERENCE ONLY		
11	1014008	ELBOW, 90, MORB-8/MOFS-8	1	
12	1034713	HOSE, -8, 4000, 90FOFS-8SW/FOFS-8SW, 75.5	1	
13	1010076	ADAPTER, MOFS-8/MORB-8	18	
14	1014030	ELBOW, 90, MOFS-8/FOFS-8	1	
15	1034688	HOSE, -8, 4000, FOFS-8SW/FOFS-8SW, 78.5	1	
16	1034740	HOSE, -8, 4000, 90 FOFS-8SW/ FOFS-8SW, 73.75	1	
17	1034698	HOSE, -8, 4000, FOFS-8SW/FOFS-8SW, 62.5	1	
18	1010077	ADAPTER, MOFS-8/MORB-8, L	2	

WHEN ORDERING PARTS, SPECIFY MODEL NUMBER, SERIAL NUMBER AND DESCRIPTION OF PARTS REQUIRED

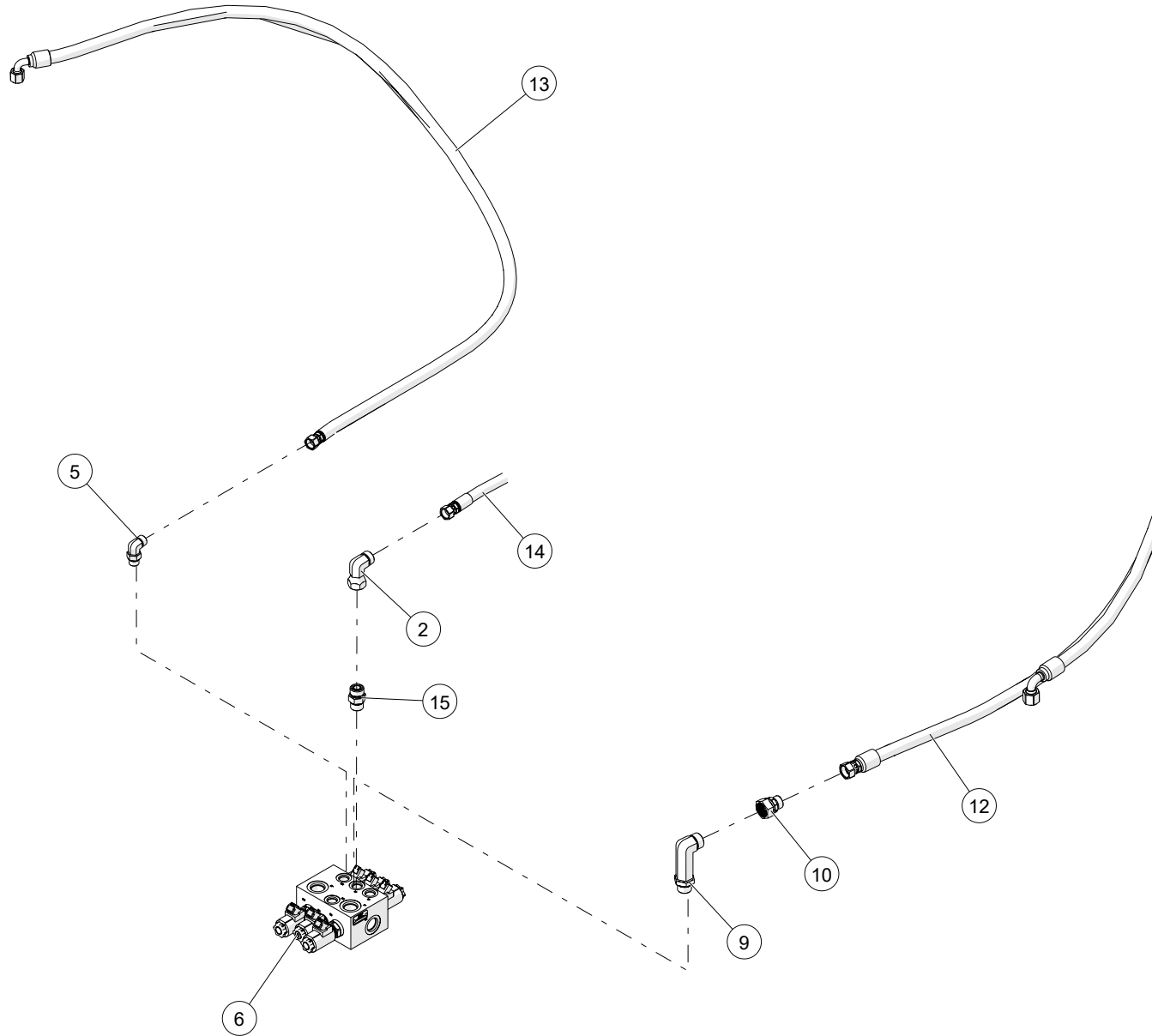


WHEN ORDERING PARTS, SPECIFY MODEL NUMBER, SERIAL NUMBER AND DESCRIPTION OF PARTS REQUIRED

6-ASSEMBLY

ITEM	PART NUMBER	DESCRIPTION	QUANTITY	NOTES
	6-ASSEMBLY	FOR REFERENCE ONLY		
1	1034751	HOSE, -8, 3000, FOFS-8SW/ FOFS-8SW, 71.5	1	
2	1014030	ELBOW, 90, MOFS-8/FOFS-8	2	
3	1010077	ADAPTER, MOFS-8/MORB-8, L	2	
4	1034730	HOSE, -8, 4000, 90FOFS-8SW/FOFS-8SW, 78.5	1	
5	1014008	ELBOW, 90, MORB-8/MOFS-8	1	
6	1007211	O/R SELECTOR VALVE	2	
7	WSH1-X3750008Z0	WASHER, 3/8, GR8, ZN	32	
8	HHCS-C375A005Z0	HEX HEAD CAP SCREW, 3/8-16 X 1 LEN, GR5, ZN	8	
9	1014018	ELBOW, 90, MOFS-12/MORB-12, L	6	
10	1010015	ADAPTER, FOFS-12/MOFS-10	4	
11	1034744	HOSE, -10, 4000, FOFS-10SW/FOFS-10SW, 85	1	

WHEN ORDERING PARTS, SPECIFY MODEL NUMBER, SERIAL NUMBER AND DESCRIPTION OF PARTS REQUIRED

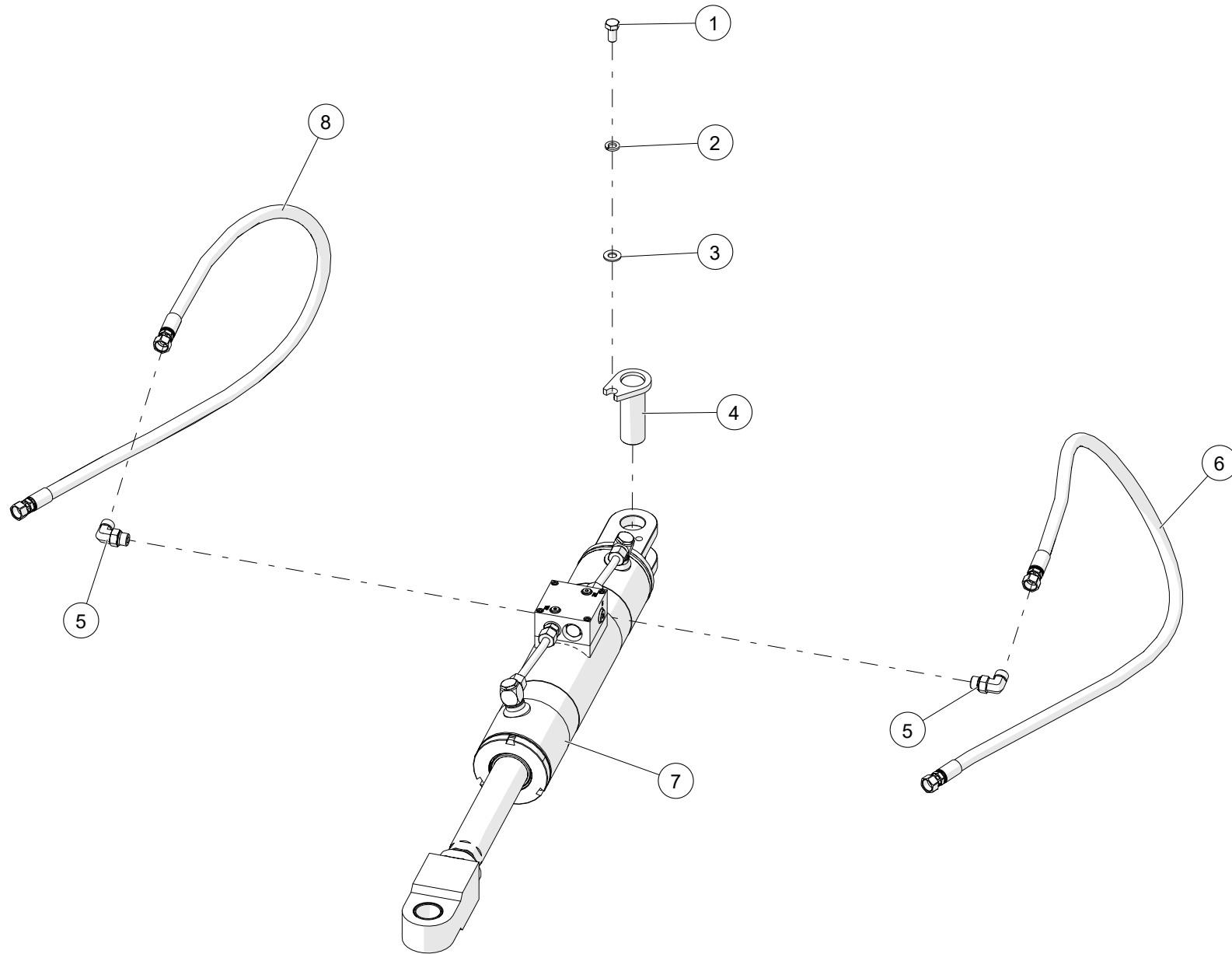


WHEN ORDERING PARTS, SPECIFY MODEL NUMBER, SERIAL NUMBER AND DESCRIPTION OF PARTS REQUIRED

6-ASSEMBLY

ITEM	PART NUMBER	DESCRIPTION	QUANTITY	NOTES
	6-ASSEMBLY	FOR REFERENCE ONLY		
12	1034718	HOSE, -10, 4000, 90FOFS-10SW/FOFS-10SW, 83.5	1	
13	1027994	HOSE, -8, 4000, FOFS-8SW/90FOFS-8SW, 76.25	1	
14	1034753	HOSE, -8, 4000, FOFS-8SW/ FOFS-8SW, 77	1	
15	1010076	ADAPTER, MOFS-8/MORB-8	18	

WHEN ORDERING PARTS, SPECIFY MODEL NUMBER, SERIAL NUMBER AND DESCRIPTION OF PARTS REQUIRED

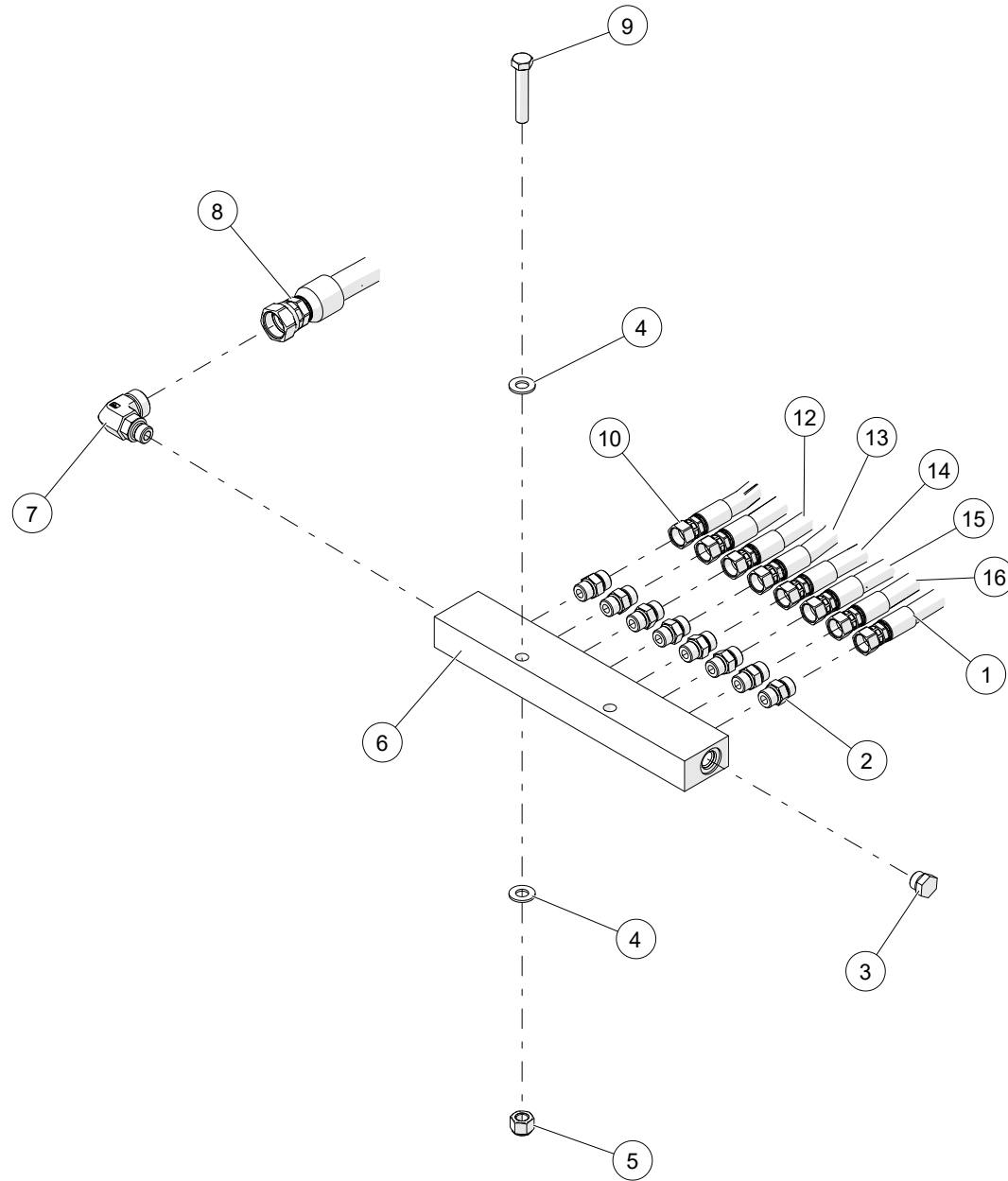


WHEN ORDERING PARTS, SPECIFY MODEL NUMBER, SERIAL NUMBER AND DESCRIPTION OF PARTS REQUIRED

7-ASSEMBLY

ITEM	PART NUMBER	DESCRIPTION	QUANTITY	NOTES
	7-ASSEMBLY	FOR REFERENCE ONLY		
1	HHCS-C500A005Z0	HEX HEAD CAP SCREW, 1/2-13 X 1 LEN, GR5, ZN	8	
2	WSH4-X5000008Z0	SPIRAL LOCK WASHER, 1/2, GR8, ZN	8	
3	WSH2-X5000008Z0	SAE WASHER, 1/2, GR8, ZN	8	
4	710F0412	PIN ASS'Y, STEER CYL	8	
5	1014008	ELBOW, 90, MORB-8/MOFS-8	4	
6	1034753	HOSE, -8, 4000, FOFS-8SW/ FOFS-8SW, 77	1	
7	T163588	SWING CYLINDER	2	
8	1034755	HOSE, -8, 3000, FOFS-8SW/ FOFS-8SW, 69.5	1	

WHEN ORDERING PARTS, SPECIFY MODEL NUMBER, SERIAL NUMBER AND DESCRIPTION OF PARTS REQUIRED

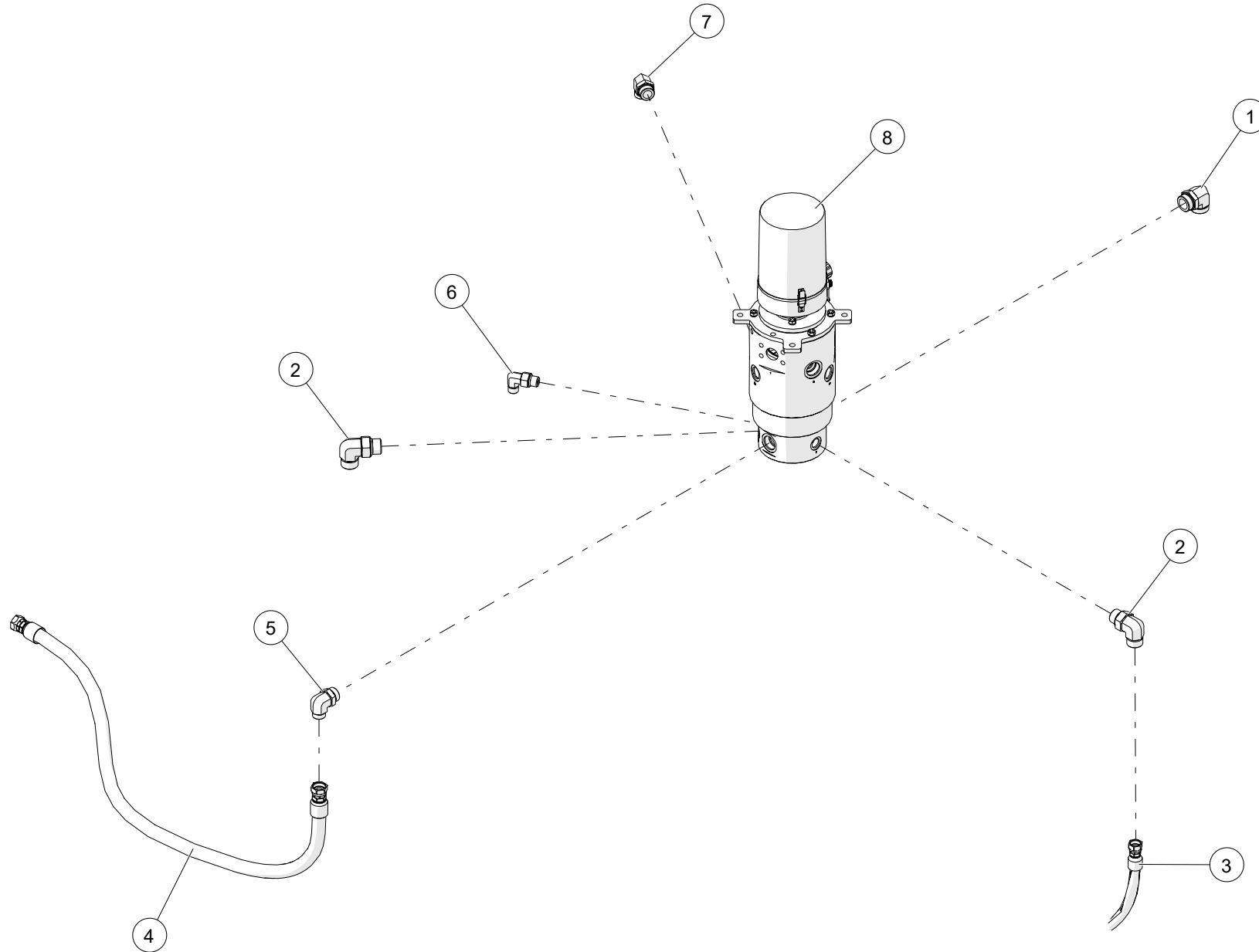


WHEN ORDERING PARTS, SPECIFY MODEL NUMBER, SERIAL NUMBER AND DESCRIPTION OF PARTS REQUIRED

8-ASSEMBLY

ITEM	PART NUMBER	DESCRIPTION	QUANTITY	NOTES
	8-ASSEMBLY	FOR REFERENCE ONLY		
1	1034749	HOSE, -8, 3000, 90FOFS-8SW/FOFS-8SW, 85.5	1	
2	1010076	ADAPTER, MOFS-8/MORB-8	18	
3	1019702	PLUG, HEX, ORB-8	2	
4	WSH1-X5000008Z0	WASHER, 1/2, GR8, ZN	14	
5	NUT3-C3750005Z0	NYLON LOCK NUT, 3/8-16, GR5, ZN	14	
6	T111005	MANIFOLD, CYLINDER RETRACT	1	
7	1014016	ELBOW, 90, MOFS-12/MORB-8	2	
8	1034684	HOSE, -12, 3000, FOFS-12SW/90 FOFS-12SW, 99.5	1	
9	HHCS-C500B755Z0	HEX HEAD CAP SCREW, 1/2-13 X 2 3/4 LEN, GR5, ZN	2	
10	1034693	HOSE, -8, 3000, FOFS-8SW/FOFS-8SW, 88.25	1	
11	1034735	HOSE, -8, 3000, 90FOFS-8SW/FOFS-8SW, 95	1	
12	1034732	HOSE, -8, 3000, 90FOFS-8SW/FOFS-8SW, 84	1	
13	1034757	HOSE, -8, 3000, FOFS-8SW/ FOFS-8SW, 70.5	1	
14	1034755	HOSE, -8, 3000, FOFS-8SW/ FOFS-8SW, 69.5	1	
15	1034696	HOSE, -8, 3000, FOFS-8SW/FOFS-8SW, 90	1	
16	1034711	HOSE, -8, 3000, 90FOFS-8SW/FOFS-8SW,105.5	1	

WHEN ORDERING PARTS, SPECIFY MODEL NUMBER, SERIAL NUMBER AND DESCRIPTION OF PARTS REQUIRED

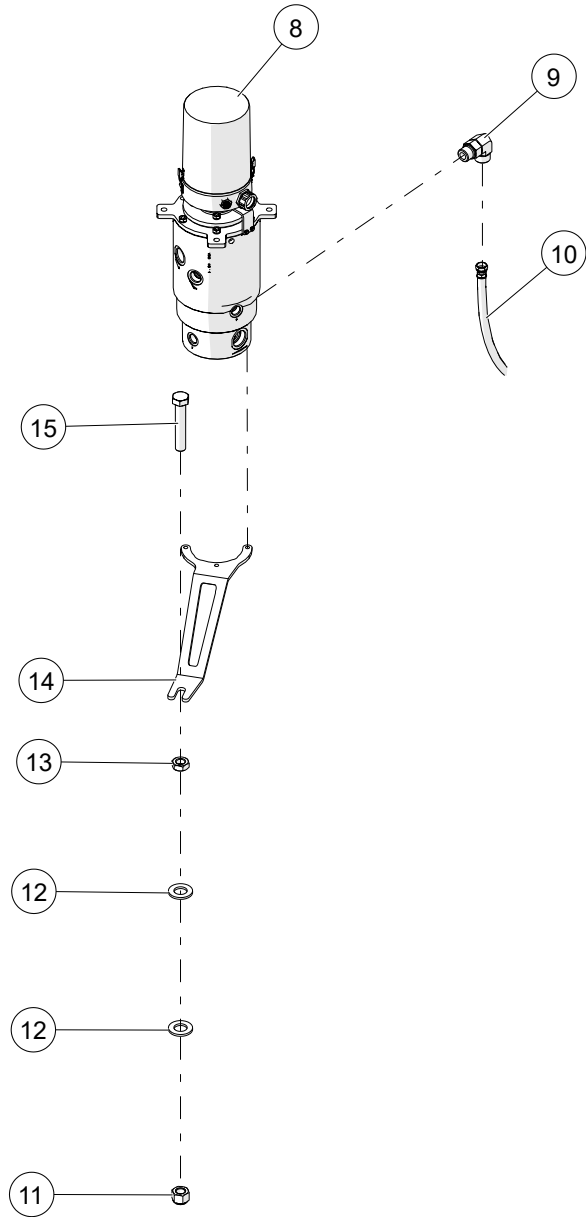


WHEN ORDERING PARTS, SPECIFY MODEL NUMBER, SERIAL NUMBER AND DESCRIPTION OF PARTS REQUIRED

9-ASSEMBLY

ITEM	PART NUMBER	DESCRIPTION	QUANTITY	NOTES
	9-ASSEMBLY	FOR REFERENCE ONLY		
1	1014029	ELBOW, 90, MOFS-24/MORB-24	2	
2	1014019	ELBOW, 90, MOFS-12/MORB-12	6	
3	1034682	HOSE, -12, 4000, FOFS-12SW/FOFS-12SW, 69.5	1	
4	1034676	HOSE, -16, 250, FOFS-16SW/FOFS-16SW, 72	1	
5	1014025	ELBOW, 90, MOFS-16/MORB-20	1	
6	1013998	ELBOW, 90, MOFS-4/MORB-6	1	
7	1014064	ELBOW, 90, MOFS-20/MORB-20	1	
8	1007219	HYDRAULIC SWIVEL	1	

WHEN ORDERING PARTS, SPECIFY MODEL NUMBER, SERIAL NUMBER AND DESCRIPTION OF PARTS REQUIRED

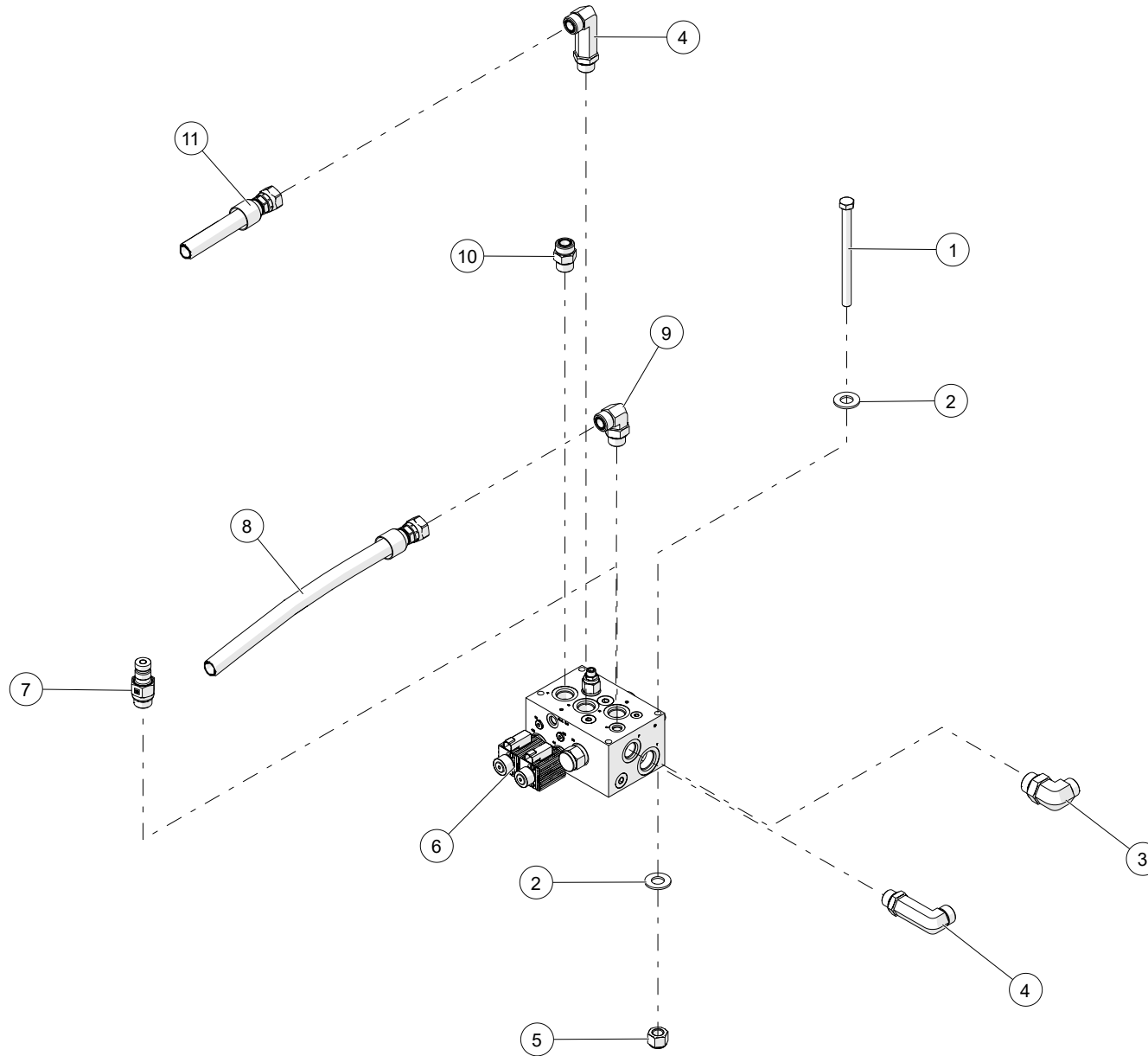


WHEN ORDERING PARTS, SPECIFY MODEL NUMBER, SERIAL NUMBER AND DESCRIPTION OF PARTS REQUIRED

9-ASSEMBLY

ITEM	PART NUMBER	DESCRIPTION	QUANTITY	NOTES
	9-ASSEMBLY	FOR REFERENCE ONLY		
9	1014012	ELBOW, 90, MOFS-10/MORB-10	1	
10	1034770	HOSE, -10, 300 PSI, 90 FOFS-10SW/ FOFS-10SW, 182.75	1	
11	NUT3-C6250008M0	NYLON LOCK NUT, 5/8-11, GR8, MA	1	
12	WSH1-X7500008Z0	WASHER, 3/4, GR8, ZN	2	
13	NUT2-C6250008M0	HEX JAM NUT, 5/8-11, GR8, MA	1	
14	1041494	PLATE, SWIVEL ANTI-ROTATION	1	
15	HHCS-F625C508R1	HEX HEAD CAP SCREW, 5/8-18 X 3 1/2 LEN, GR8, NF, FULL THREAD	1	

WHEN ORDERING PARTS, SPECIFY MODEL NUMBER, SERIAL NUMBER AND DESCRIPTION OF PARTS REQUIRED



WHEN ORDERING PARTS, SPECIFY MODEL NUMBER, SERIAL NUMBER AND DESCRIPTION OF PARTS REQUIRED

10-ASSEMBLY

ITEM	PART NUMBER	DESCRIPTION	QUANTITY	NOTES
	10-ASSEMBLY	FOR REFERENCE ONLY		
1	HHCS-C375E005Z0	HEX HEAD CAP SCREW, 3/8-16 X 5 LEN, GR5, ZN	4	
2	WSH1-X3750008Z0	WASHER, 3/8, GR8, ZN	32	
3	1014020	ELBOW, 90, MOFS-12/MORB-16	1	
4	1014018	ELBOW, 90, MOFS-12/MORB-12, L	6	
5	NUT3-C3750005Z0	NYLON LOCK NUT, 3/8-16, GR5, ZN	14	
6	1008283	VALVE, DIVERTER	1	
7	1020456	QUICK CONNECT, -6, M-PD/MORB	1	
8	1034682	HOSE, -12, 4000,FOFS-12SW/FOFS-12SW, 69.5	1	
9	1014019	ELBOW, 90, MOFS-12/MORB-12	6	
10	1010088	ADAPTER, MOFS-12/MORB-12	1	
11	1027995	HOSE, -12,3000, FOFS-12SW/FOFS-12SW, 65	1	

WHEN ORDERING PARTS, SPECIFY MODEL NUMBER, SERIAL NUMBER AND DESCRIPTION OF PARTS REQUIRED

NON - ILLUSTRATED PAGE

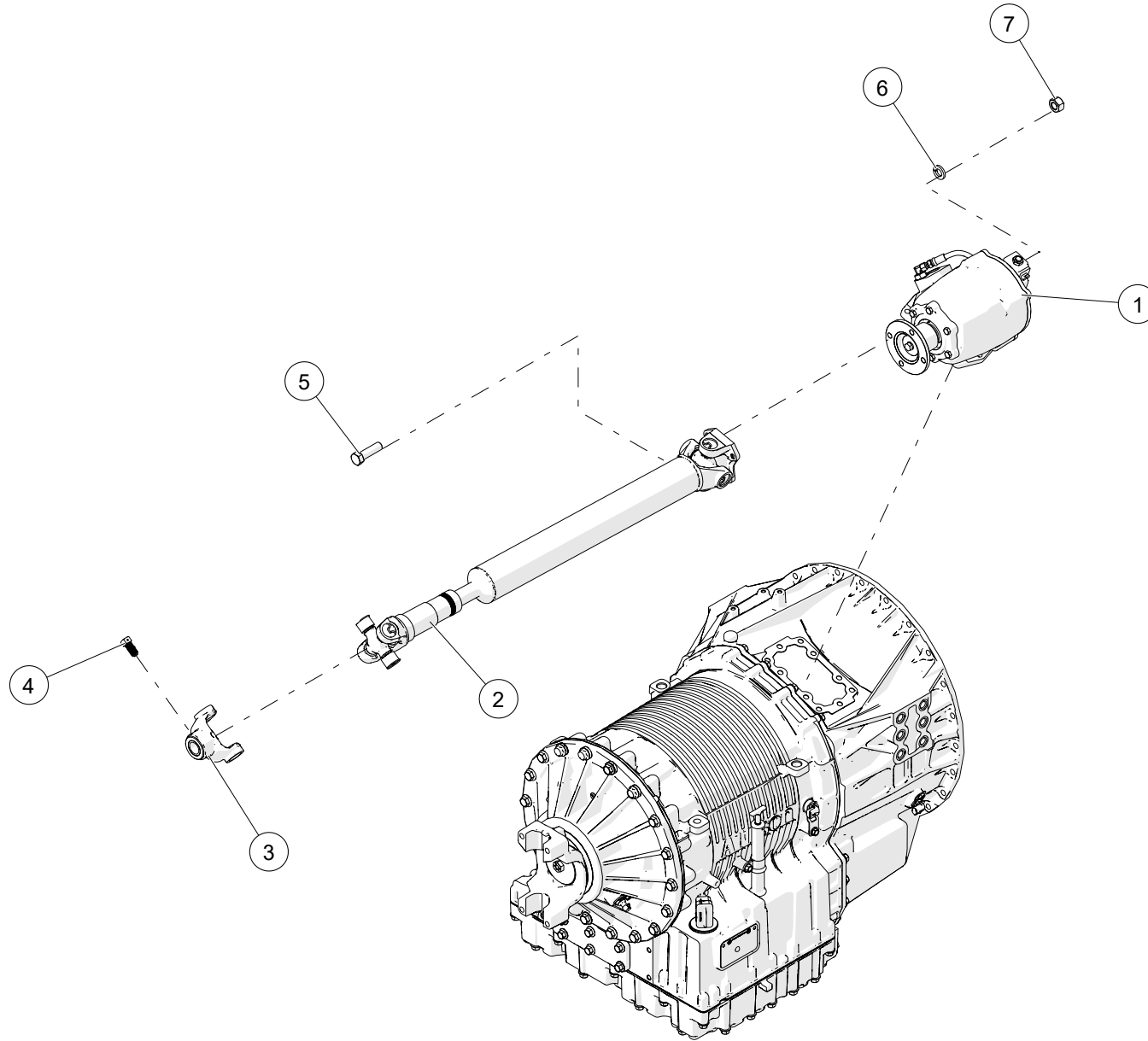
WHEN ORDERING PARTS, SPECIFY MODEL NUMBER, SERIAL NUMBER AND DESCRIPTION OF PARTS REQUIRED

PUMP/PTO OPTION

ITEM	PART NUMBER	DESCRIPTION	QUANTITY	NOTES
	1035206	PUMP/PTO OPTION		
1	1035207	PUMP ASSEMBLY, ALLISON TRANSMISSION	1	SEE PAGE 283
2	1035208	PUMP ASSEMBLY, EATON TRANSMISSION	1	SEE PAGE 287

WHEN ORDERING PARTS, SPECIFY MODEL NUMBER, SERIAL NUMBER AND DESCRIPTION OF PARTS REQUIRED

PUMP ASSEMBLY, ALLISON TRANSMISSION



WHEN ORDERING PARTS, SPECIFY MODEL NUMBER, SERIAL NUMBER AND DESCRIPTION OF PARTS REQUIRED

PUMP ASSEMBLY, ALLISON TRANSMISSION

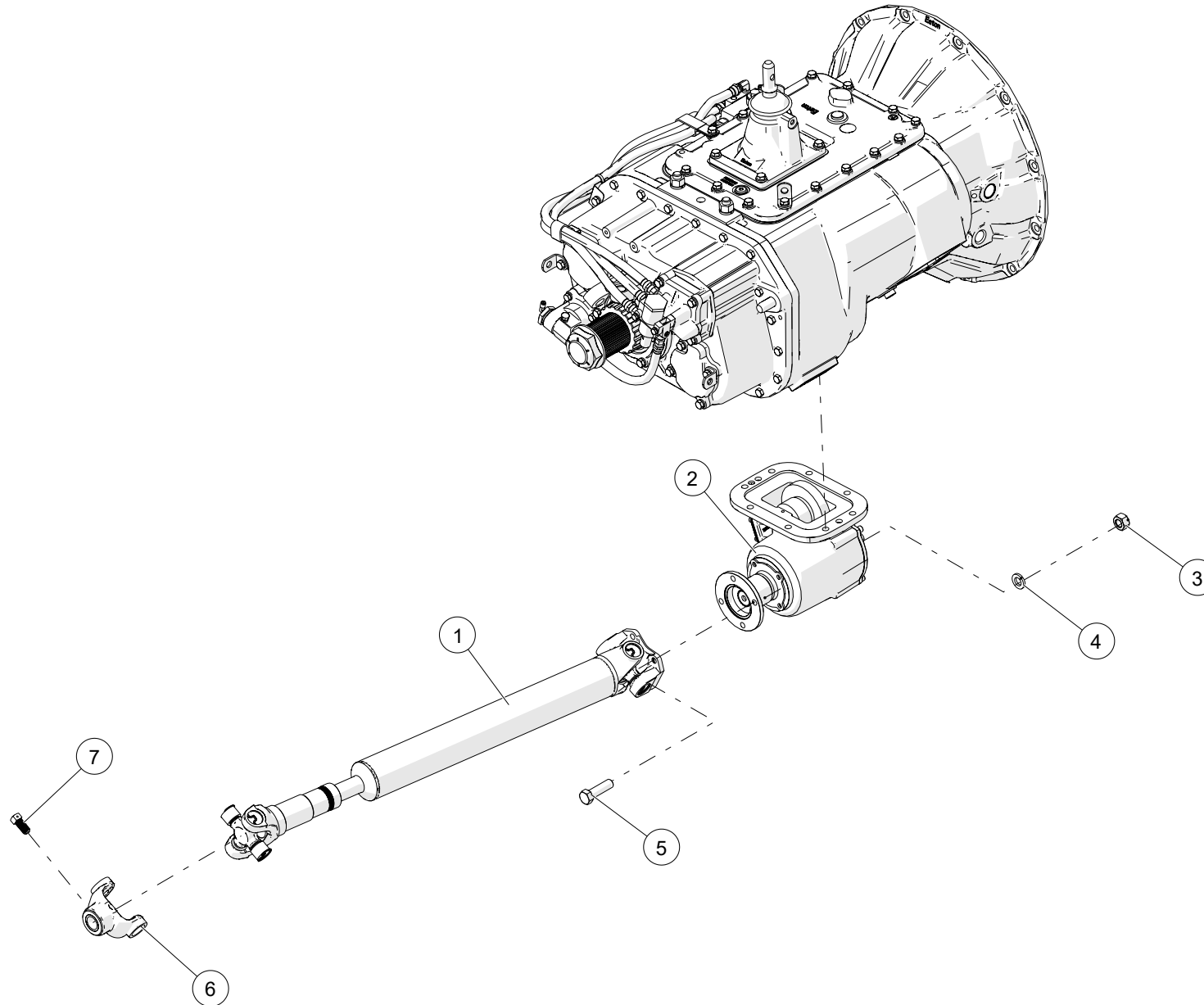
ITEM	PART NUMBER	DESCRIPTION	QUANTITY	NOTES
	1035207	PUMP ASSEMBLY, ALLISON TRANSMISSION		
1	1026508	PTO GEARBOX, ALLISON	1	
2	1009014	DRIVESHAFT ASSEMBLY, ALLISON	1	
3	1009012	END YOKE	1	
4	1026694	SET SCREW, SQUARE, 3/8"-16 THREAD, 3/4" LG	1	
5	HHCS-C438A508Z0	HEX HEAD CAP SCREW, 7/16-14 X 1 1/2 LEN, GR8, ZN	4	
6	WSH4-X4380008Z0	SPIRAL LOCK WASHER, 7/16, GR8, ZN	4	
7	NUT1-C4380008Z0	HEX NUT, 7/16-14, GR8, ZN	4	

WHEN ORDERING PARTS, SPECIFY MODEL NUMBER, SERIAL NUMBER AND DESCRIPTION OF PARTS REQUIRED

PUMP ASSEMBLY, ALLISON TRANSMISSION

ITEM	PART NUMBER	DESCRIPTION	QUANTITY	NOTES
	1035207	PUMP ASSEMBLY, ALLISON TRANSMISSION		
8	1008267	DOUBLE PUMP CW	1	
9	1026509	O-RING, AS568A-155	1	
10	1008346	PUMP, 6.4 IN ³ CW	1	
11	1008345	COUPLING, SAE BB 15T	1	
12	WSH3-X6250008Z0	FENDER WASHER, 5/8, GR8, ZN	10	
13	HHCS-C625B758M0	HEX HEAD CAP SCREW, 5/8-11 X 2 3/4 LEN, GR8, MA	5	
14	NUT3-C6250008M0	NYLON LOCK NUT, 5/8-11, GR8, MA	7	
15	WSH2-X6250008Z0	SAE WASHER, 5/8, GR8, ZN	4	
16	1037400	ASSEMBLY, PTO BRACKET W/COVER	1	
17	HHCS-C625B508M0	HEX HEAD CAP SCREW, 5/8-11 X 2 1/2 LEN, GR8, MA	2	
18	HHCS-C500A758Z0	HEX HEAD CAP SCREW, 1/2-13 X 1 3/4 LEN, GR8, ZN	1	
19	WSH1-X5000008Z0	WASHER, 1/2, GR8, ZN	2	
20	NUT3-C5000008Z0	NYLON LOCK NUT, 1/2-13, GR8, ZN	1	
21	NUT3-C3750008Z0	NYLON LOCK NUT, 3/8-16, GR8, ZN	3	
22	WSH1-X3750008Z0	WASHER, 3/8, GR8, ZN	9	
23	1037507	BRACKET, SUPPORT, PTO PUMP	1	
24	HHCS-C375B758Z0	HEX HEAD CAP SCREW, 3/8-16 X 2 3/4 LEN, GR8, ZN	2	
25	1037506	PLATE, MOUNTING, PTO PUMP SUPPORT	1	
26	1037606	BRACKET, SUPPORT, HORZ, PTO PUMP	1	
27	HHCS-C375A008Z0	HEX HEAD CAP SCREW, 3/8-16 X 1 LEN, GR8, ZN	1	
28	1026503	BOLT, M12 X 1.75MM THREAD, 40MM LG	2	
29	WSH4-X12A000PZ0	LOCK WASHER, SPIRAL, M12, ZINC	2	
30	HHCS-C3756258Z0	HEX HEAD CAP SCREW, 3/8-16 X 5/8 LEN, GR8, ZN	2	

WHEN ORDERING PARTS, SPECIFY MODEL NUMBER, SERIAL NUMBER AND DESCRIPTION OF PARTS REQUIRED

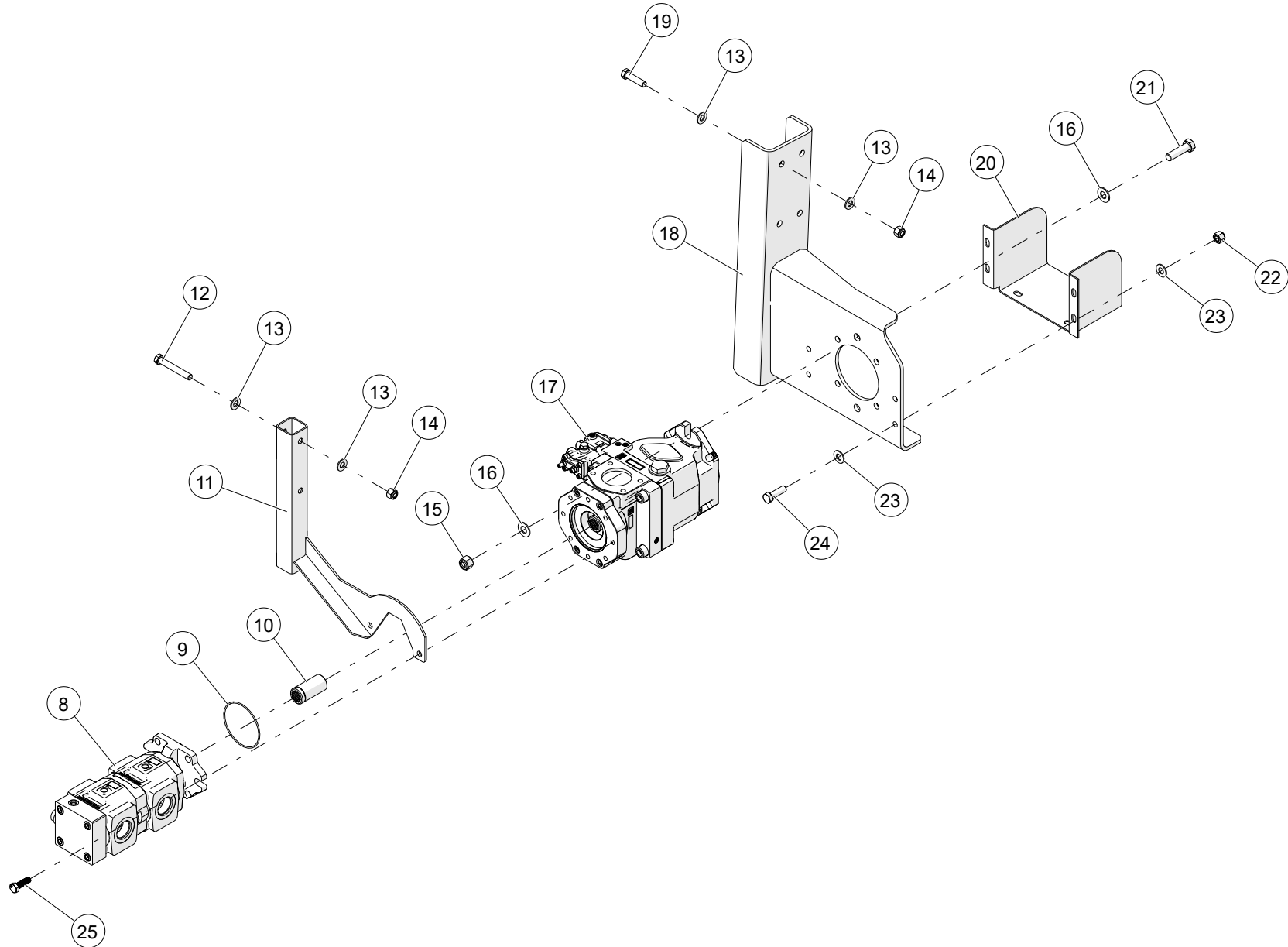


WHEN ORDERING PARTS, SPECIFY MODEL NUMBER, SERIAL NUMBER AND DESCRIPTION OF PARTS REQUIRED

PUMP ASSEMBLY, EATON TRANSMISSION

ITEM	PART NUMBER	DESCRIPTION	QUANTITY	NOTES
	1035208	PUMP ASSEMBLY, EATON TRANSMISSION		
1	1031017	DRIVESHAFT ASSEMBLY, ALLISON	1	
2	1026507	PTO GEARBOX, EATON	1	
3	NUT1-C4380008Z0	HEX NUT, 7/16-14, GR8, ZN	4	
4	WSH4-X4380008Z0	SPIRAL LOCK WASHER, 7/16, GR8, ZN	4	
5	HHCS-C438A508Z0	HEX HEAD CAP SCREW, 7/16-14 X 1 1/2 LEN, GR8, ZN	4	
6	1009012	END YOKE	1	
7	1026694	SET SCREW, SQUARE, 3/8"-16 THREAD, 3/4" LG	1	

WHEN ORDERING PARTS, SPECIFY MODEL NUMBER, SERIAL NUMBER AND DESCRIPTION OF PARTS REQUIRED



WHEN ORDERING PARTS, SPECIFY MODEL NUMBER, SERIAL NUMBER AND DESCRIPTION OF PARTS REQUIRED

PUMP ASSEMBLY, EATON TRANSMISSION

ITEM	PART NUMBER	DESCRIPTION	QUANTITY	NOTES
	1035208	PUMP ASSEMBLY, EATON TRANSMISSION		
8	1008270	DOUBLE PUMP CCW	1	
9	1026509	O-RING, AS568A-155	1	
10	1008345	COUPLING, SAE BB 15T	1	
11	1041420	PISTON PUMP SUPPORT BRACKET WELDMENT	1	
12	HHCS-C500C508Z0	HEX HEAD CAP SCREW, 1/2-13 X 3 1/2 LEN, GR8, ZN	2	
13	WSH1-X5000008Z0	WASHER, 1/2, GR8, ZN	13	
14	NUT3-C5000008Z0	NYLON LOCK NUT, 1/2-13, GR8, ZN	6	
15	NUT3-C6250008M0	NYLON LOCK NUT, 5/8-11, GR8, MA	2	
16	WSH1-X6250008Z0	WASHER, 5/8, GR8, ZN	4	
17	1008347	PUMP, 6.4 IN ³ CCW	1	
18	1008592	BRACKET, PUMP MOUNTING	1	
19	HHCS-C500B008Z0	HEX HEAD CAP SCREW, 1/2-13 X 2 LEN, GR8, ZN	4	
20	1027035	COVER, END YOKE	1	
21	HHCS-C625B258M0	HEX HEAD CAP SCREW, 5/8-11 X 2 1/4 LEN, GR8, MA	2	
22	NUT3-C3750008Z0	NYLON LOCK NUT, 3/8-16, GR8, ZN	6	
23	WSH1-X3750008Z0	WASHER, 3/8, GR8, ZN	12	
24	HHCS-C375A258Z0	HEX HEAD CAP SCREW, 3/8-16 X 1 1/4 LEN, GR8, ZN	6	
25	1026503	BOLT, M12 X 1.75MM THREAD, 40MM LG	2	

WHEN ORDERING PARTS, SPECIFY MODEL NUMBER, SERIAL NUMBER AND DESCRIPTION OF PARTS REQUIRED

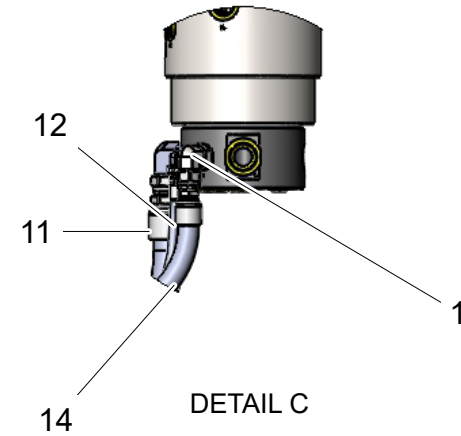
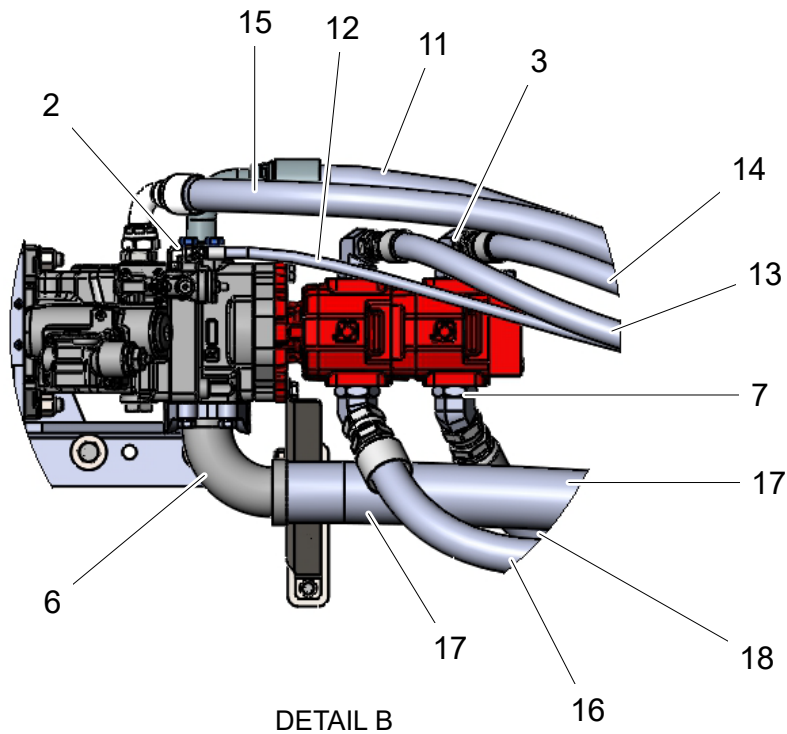
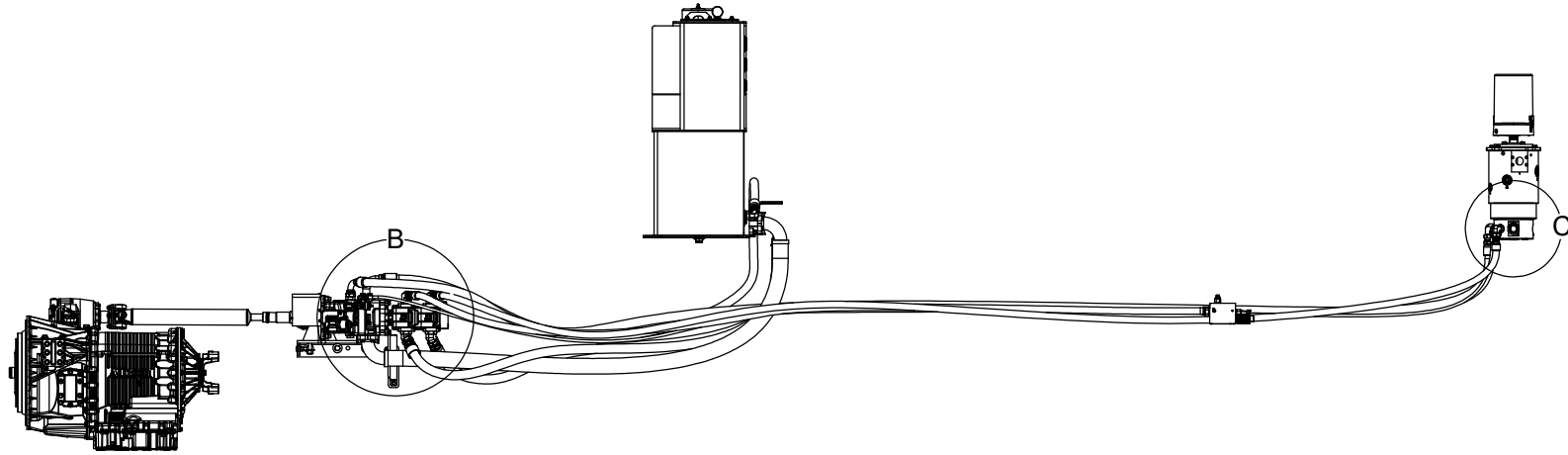
NON - ILLUSTRATED PAGE

WHEN ORDERING PARTS, SPECIFY MODEL NUMBER, SERIAL NUMBER AND DESCRIPTION OF PARTS REQUIRED

PL 180 XO HOSE OPTIONS

ITEM	PART NUMBER	DESCRIPTION	QUANTITY	NOTES
	1035218	PL 180 XO HOSE OPTIONS		
1	1039079	HOSE VARIANT, PL 180 ALLISON	1	SEE PAGE 293
2	1039173	HOSE VARIANT, PL 180 EATON	1	SEE PAGE 297

WHEN ORDERING PARTS, SPECIFY MODEL NUMBER, SERIAL NUMBER AND DESCRIPTION OF PARTS REQUIRED

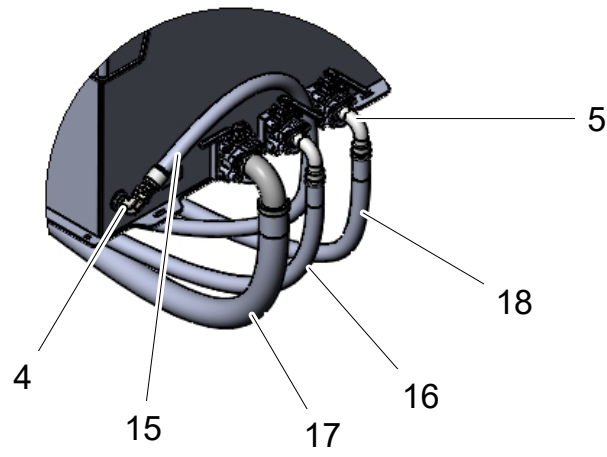
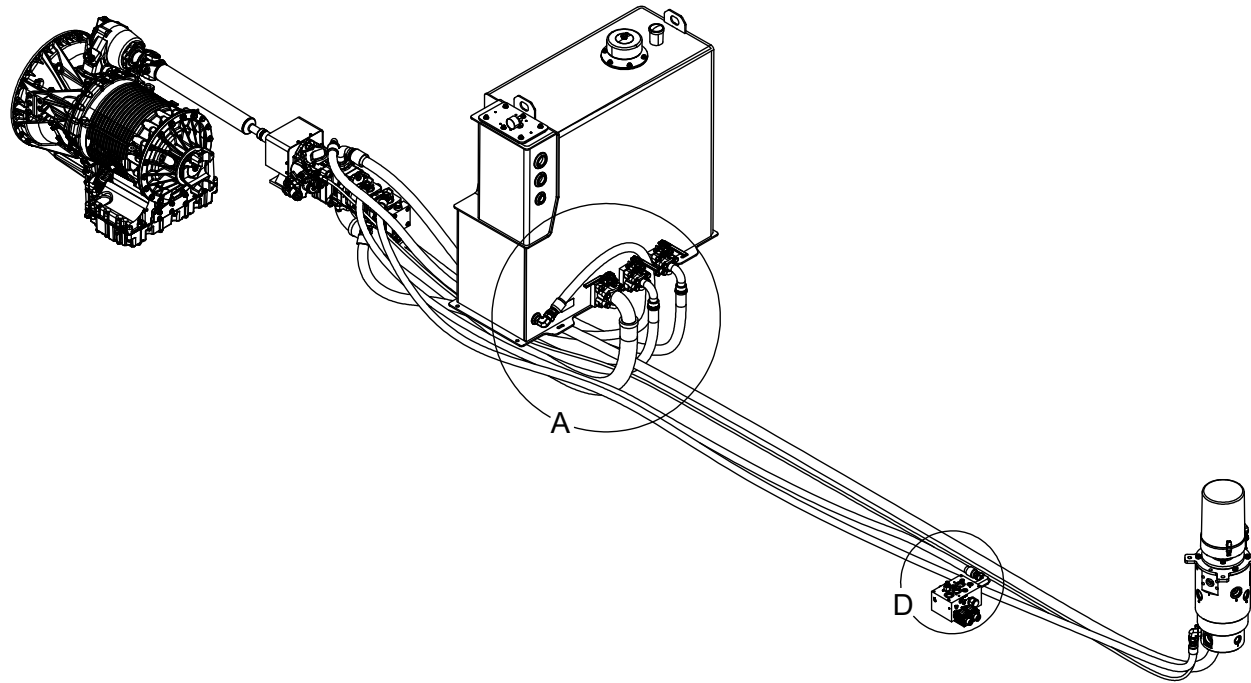


WHEN ORDERING PARTS, SPECIFY MODEL NUMBER, SERIAL NUMBER AND DESCRIPTION OF PARTS REQUIRED

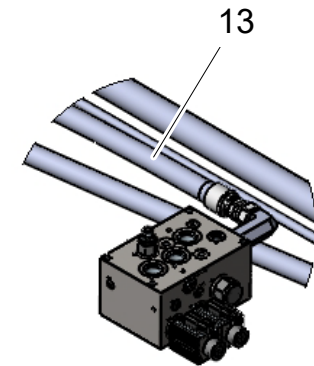
HOSE VARIANT, PL 180 ALLISON

ITEM	PART NUMBER	DESCRIPTION	QUANTITY	NOTES
	1039079	HOSE VARIANT, PL 180 ALLISON		
1	1010092	ADAPTER, MOFS-16/MORB-12	1	
2	1013997	ELBOW, 90, MOFS-4/MORB-4	1	
3	1014020	ELBOW, 90, MOFS-12/MORB-16	2	
4	1014022	ELBOW, 90, MOFS-16/MORB-12	1	
5	1014641	ELBOW, 90, HBRB-20/C61-24	2	
6	1014642	ELBOW, 90, HBRB-40/C61-40	1	
7	1016207	ELBOW, 45, MOFS-20/MORB-20	2	
8	1020223	CLAMP, C62-20, KIT	1	
9	1020225	CLAMP, C61-24, KIT	2	
10	1020228	CLAMP, C61-40, KIT	2	
11	1027976	HOSE, -20, 4000, FOFS-20SW/90C62-20, 236.0	1	
12	1027977	HOSE, -4, 4000, FOFS-4SW/FOFS-4SW, 235.5	1	
13	1027978	HOSE, -12, 4000, FOFS-12SW/FOFS-12SW, 171.0	1	
14	1027979	HOSE, -12, 4000, FOFS-12SW/FOFS-12SW, 226.25	1	
15	1031795	HOSE, -16, 300, FOFS-16SW/90FOFS-16SW,111.0	1	
16	1040976	HOSE, -20, 300, FOFS-20SW/NO END,102.5	1	
17	1040978	HOSE, -40, Low, 90OFS-40FLNG / NO END, 112	1	
18	1040979	HOSE, -20, 300, FOFS-20SW/NO END, 101.0	1	

WHEN ORDERING PARTS, SPECIFY MODEL NUMBER, SERIAL NUMBER AND DESCRIPTION OF PARTS REQUIRED



DETAIL A



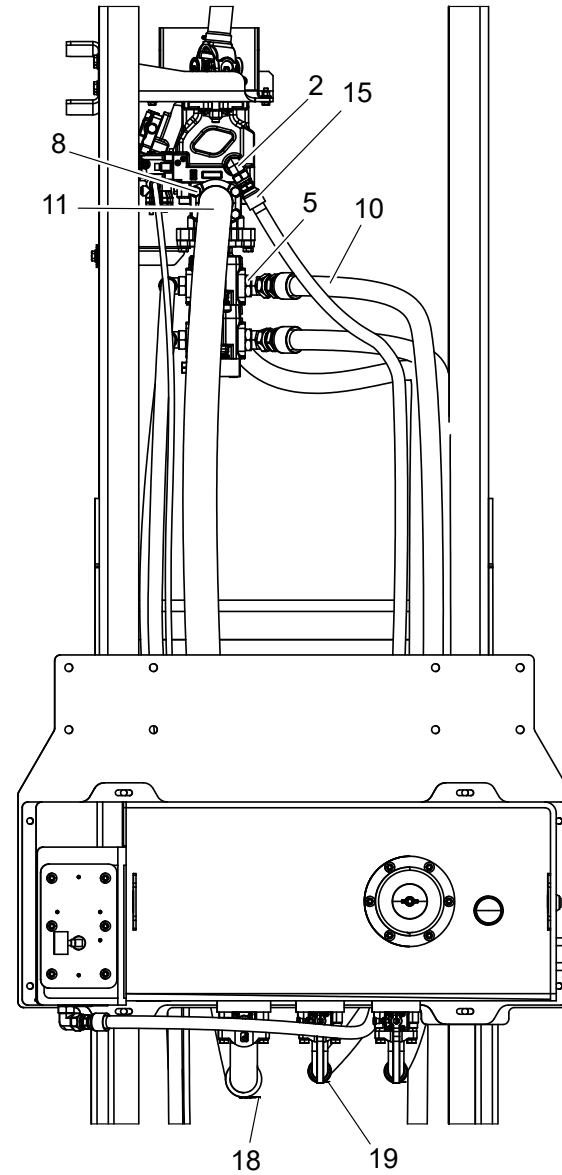
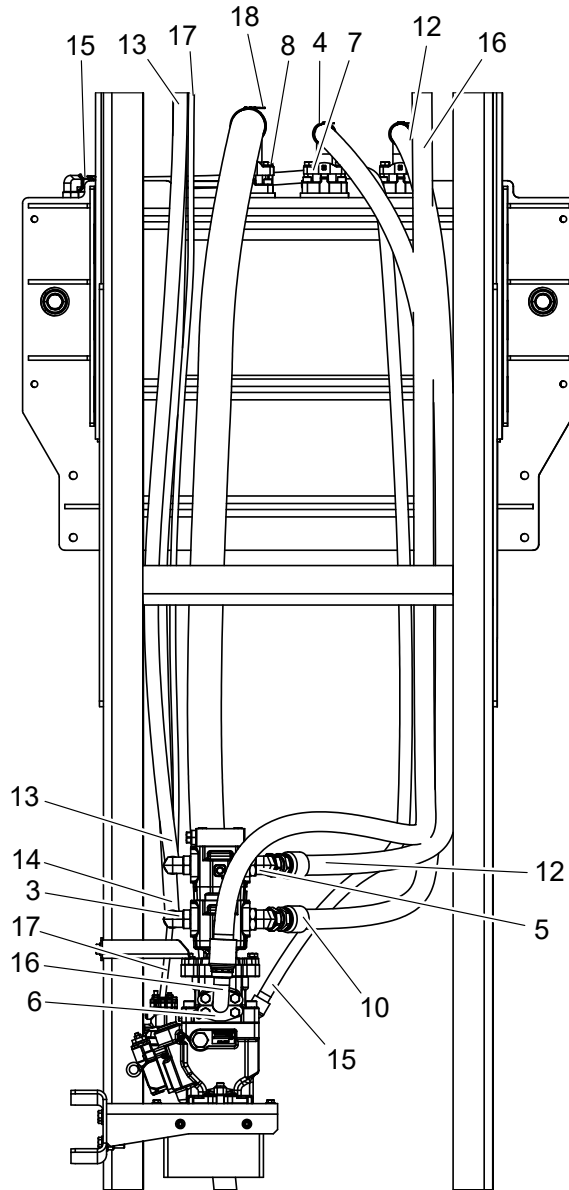
DETAIL D

WHEN ORDERING PARTS, SPECIFY MODEL NUMBER, SERIAL NUMBER AND DESCRIPTION OF PARTS REQUIRED

HOSE VARIANT, PL 180 ALLISON

ITEM	PART NUMBER	DESCRIPTION	QUANTITY	NOTES
	1039079	HOSE VARIANT, PL 180 ALLISON		
1	1010092	ADAPTER, MOFS-16/MORB-12	1	
2	1013997	ELBOW, 90, MOFS-4/MORB-4	1	
3	1014020	ELBOW, 90, MOFS-12/MORB-16	2	
4	1014022	ELBOW, 90, MOFS-16/MORB-12	1	
5	1014641	ELBOW, 90, HBRB-20/C61-24	2	
6	1014642	ELBOW, 90, HBRB-40/C61-40	1	
7	1016207	ELBOW, 45, MOFS-20/MORB-20	2	
8	1020223	CLAMP, C62-20, KIT	1	
9	1020225	CLAMP, C61-24, KIT	2	
10	1020228	CLAMP, C61-40, KIT	2	
11	1027976	HOSE, -20, 4000, FOFS-20SW/90C62-20, 236.0	1	
12	1027977	HOSE, -4, 4000, FOFS-4SW/FOFS-4SW, 235.5	1	
13	1027978	HOSE, -12, 4000, FOFS-12SW/FOFS-12SW, 171.0	1	
14	1027979	HOSE, -12, 4000, FOFS-12SW/FOFS-12SW, 226.25	1	
15	1031795	HOSE, -16, 300, FOFS-16SW/90FOFS-16SW,111.0	1	
16	1040976	HOSE, -20, 300, FOFS-20SW/NO END,102.5	1	
17	1040978	HOSE, -40, Low, 90OFS-40FLNG / NO END, 112	1	
18	1040979	HOSE, -20, 300, FOFS-20SW/NO END, 101.0	1	

WHEN ORDERING PARTS, SPECIFY MODEL NUMBER, SERIAL NUMBER AND DESCRIPTION OF PARTS REQUIRED



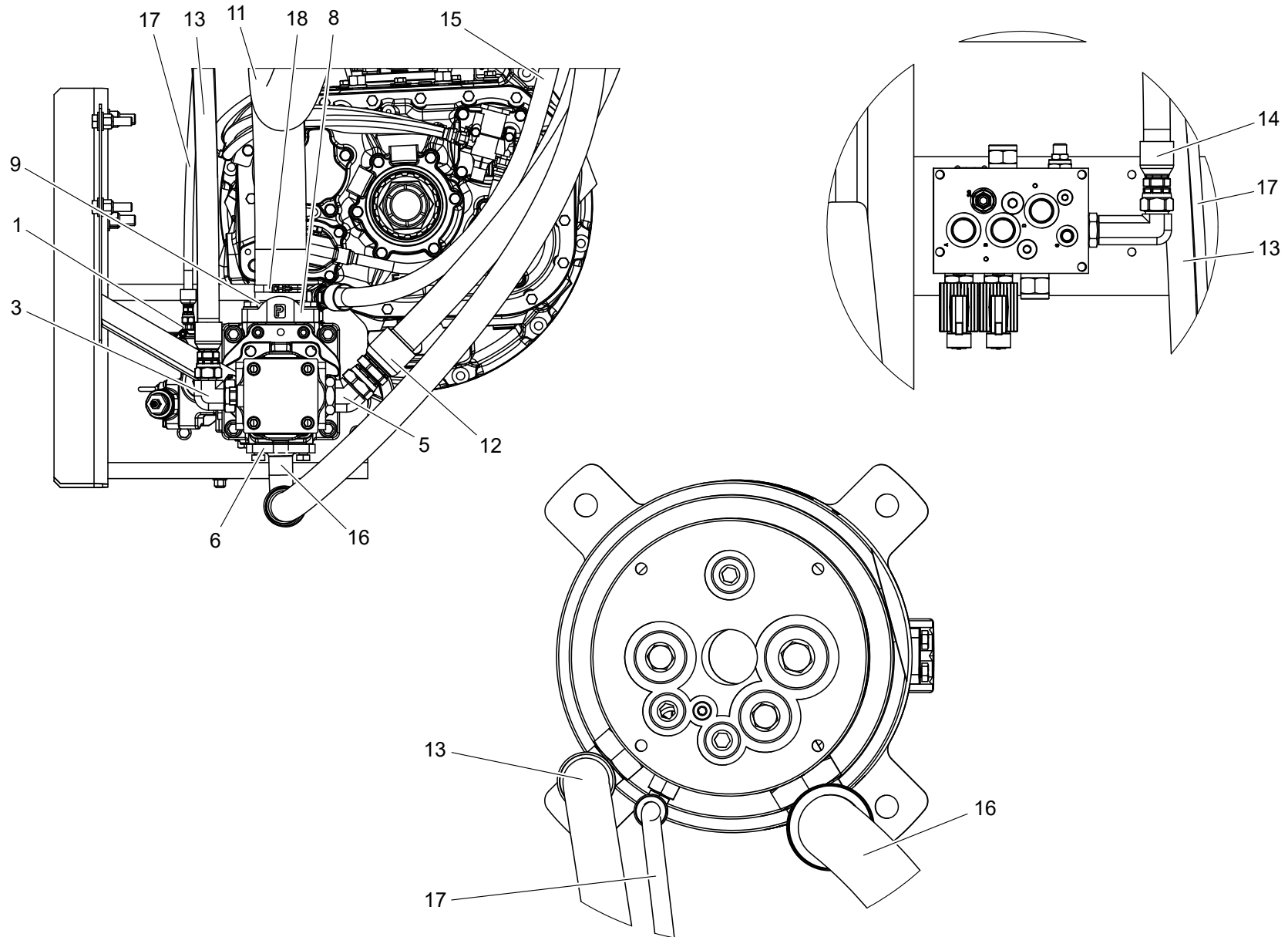
WHEN ORDERING PARTS, SPECIFY MODEL NUMBER, SERIAL NUMBER AND DESCRIPTION OF PARTS REQUIRED

HOSE VARIANT, PL 180 EATON

ITEM	PART NUMBER	DESCRIPTION	QUANTITY	NOTES
	1039173	HOSE VARIANT, PL 180 EATON		
1	1010066	ADAPTER, MOFS-4/MORB-4	1	
2	1014019	ELBOW, 90, MOFS-12/MORB-12	2	
3	1014020	ELBOW, 90, MOFS-12/MORB-16	2	
4	1014641	ELBOW, 90, HBRB-20/C61-24	2	
5	1016207	ELBOW, 45, MOFS-20/MORB-20	2	
6	1020223	CLAMP, C62-20, KIT	1	
7	1020225	CLAMP, C61-24, KIT	2	
8	1020228	CLAMP, C61-40, KIT	2	
9	1040975	HOSE END, C61-40	1	
10	1040976	HOSE, -20, 300, FOFS-20SW/NO END, 102.5	1	
11	1040978	HOSE, -40, 62, 90C61-40/NO END, 112.0	1	
12	1040979	HOSE, -20, 300, FOFS-20SW/NO END, 101.0	1	
13	1040980	HOSE, -12, 4000, FOFS-12SW/FOFS-12SW, 250	1	
14	1040981	HOSE, -12, 4000, FOFS-12SW/FOFS-12SW, 172.0	1	
15	1040982	HOSE, -12, 300, FOFS-12SW/FOFS-12SW, 131.5	1	
16	1040983	HOSE, -20, 4000, FOFS-20SW/90C62-20, 252.0	1	
17	1040984	HOSE, -4, 4000, FOFS-4SW/FOFS-4SW, 284.0	1	
18	1040996	2.88"-3.19" T-BOLT CLAMP	2	
19	1040997	1.63"-1.88" T-BOLT CLAMP	2	

WHEN ORDERING PARTS, SPECIFY MODEL NUMBER, SERIAL NUMBER AND DESCRIPTION OF PARTS REQUIRED

HOSE VARIANT, PL 180 EATON



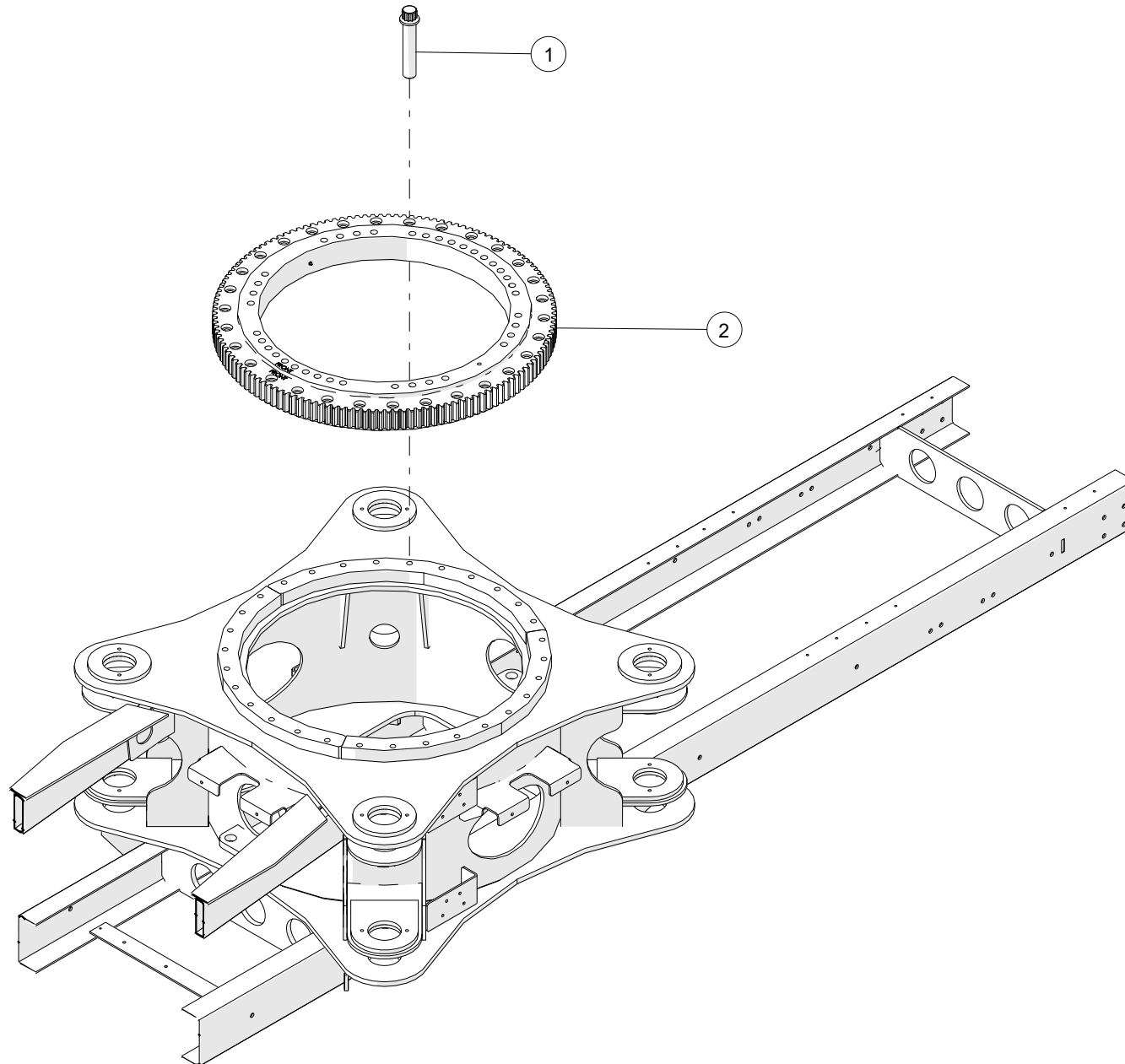
WHEN ORDERING PARTS, SPECIFY MODEL NUMBER, SERIAL NUMBER AND DESCRIPTION OF PARTS REQUIRED

HOSE VARIANT, PL 180 EATON

ITEM	PART NUMBER	DESCRIPTION	QUANTITY	NOTES
	1039173	HOSE VARIANT, PL 180 EATON		
1	1010066	ADAPTER, MOFS-4/MORB-4	1	
2	1014019	ELBOW, 90, MOFS-12/MORB-12	2	
3	1014020	ELBOW, 90, MOFS-12/MORB-16	2	
4	1014641	ELBOW, 90, HBRB-20/C61-24	2	
5	1016207	ELBOW, 45, MOFS-20/MORB-20	2	
6	1020223	CLAMP, C62-20, KIT	1	
7	1020225	CLAMP, C61-24, KIT	2	
8	1020228	CLAMP, C61-40, KIT	2	
9	1040975	HOSE END, C61-40	1	
10	1040976	HOSE, -20, 300, FOFS-20SW/NO END, 102.5	1	
11	1040978	HOSE, -40, 62, 90C61-40/NO END, 112.0	1	
12	1040979	HOSE, -20, 300, FOFS-20SW/NO END, 101.0	1	
13	1040980	HOSE, -12, 4000, FOFS-12SW/FOFS-12SW, 250	1	
14	1040981	HOSE, -12, 4000, FOFS-12SW/FOFS-12SW, 172.0	1	
15	1040982	HOSE, -12, 300, FOFS-12SW/FOFS-12SW, 131.5	1	
16	1040983	HOSE, -20, 4000, FOFS-20SW/90C62-20, 252.0	1	
17	1040984	HOSE, -4, 4000, FOFS-4SW/FOFS-4SW, 284.0	1	
18	1040996	2.88"-3.19" T-BOLT CLAMP	2	
19	1040997	1.63"-1.88" T-BOLT CLAMP	2	

WHEN ORDERING PARTS, SPECIFY MODEL NUMBER, SERIAL NUMBER AND DESCRIPTION OF PARTS REQUIRED

SWING BEARING INSTALLATION

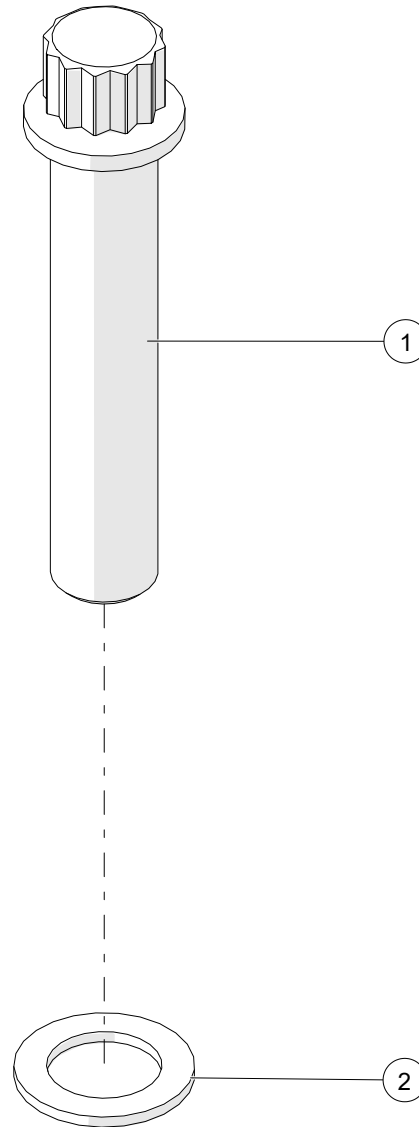


WHEN ORDERING PARTS, SPECIFY MODEL NUMBER, SERIAL NUMBER AND DESCRIPTION OF PARTS REQUIRED

SWING BEARING INSTALLATION

ITEM	PART NUMBER	DESCRIPTION	QUANTITY	NOTES
	T124827	SWING BEARING INSTALLATION		
1	T146525	KIT, SWING BEARING INSTL	1	SEE PAGE 303
2	T151786	SWING BEARING	1	

WHEN ORDERING PARTS, SPECIFY MODEL NUMBER, SERIAL NUMBER AND DESCRIPTION OF PARTS REQUIRED



WHEN ORDERING PARTS, SPECIFY MODEL NUMBER, SERIAL NUMBER AND DESCRIPTION OF PARTS REQUIRED

KIT, SWING BEARING INSTL

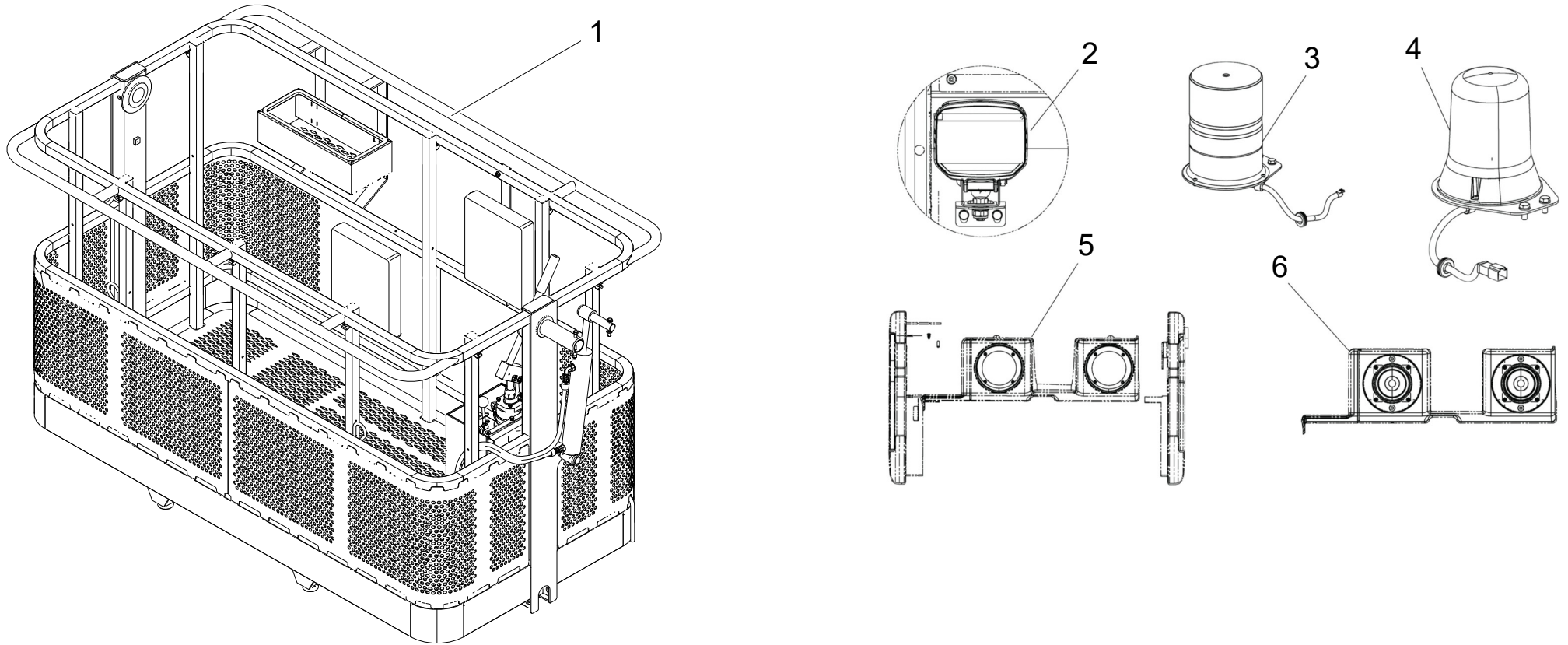
ITEM	PART NUMBER	DESCRIPTION	QUANTITY	NOTES
	T146525	KIT, SWING BEARING INSTL		
1	FHCS-C875D509R0	FERRY HEAD CAP SCREW, 7/8-9 X 4 1/2 LEN, NF	30	
2	WBN-87NXA47-20	WSH, FL TYPB-NRW 0.875, ST SQC	30	

WHEN ORDERING PARTS, SPECIFY MODEL NUMBER, SERIAL NUMBER AND DESCRIPTION OF PARTS REQUIRED

CHAPTER NO. 3
OPTIONAL EQUIPMENT

PAGE INTENTIONALLY LEFT BLANK

OPTIONAL EQUIPMENT

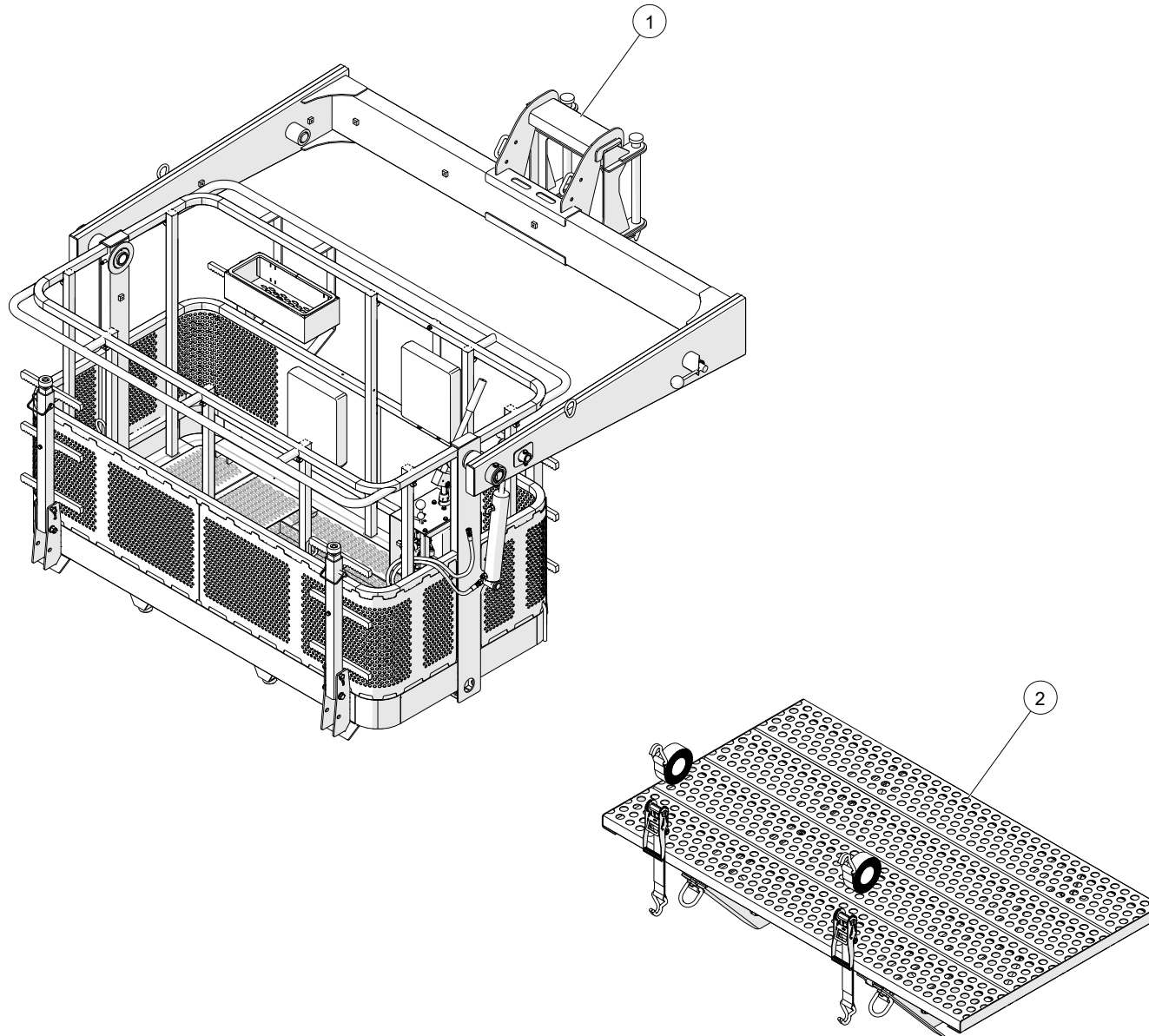


WHEN ORDERING PARTS, SPECIFY MODEL NUMBER, SERIAL NUMBER AND DESCRIPTION OF PARTS REQUIRED

OPTIONAL EQUIPMENT

ITEM	PART NUMBER	DESCRIPTION	QUANTITY	NOTES
	PL 180-OPT-EQUIP	OPTIONAL EQUIPMENT		
1	1039867	PL 180 - MAN BASKET OPTIONS	1	SEE PAGE 310
2	1035133	WORK LIGHT INSTALLATION	1	SEE PAGE 323
3	T124067	STROBE LIGHT INSTALLATION	1	SEE PAGE 327
4	T134670	REVOLVING AMBER LIGHT INSTL	1	SEE PAGE 329
5	T127309	NO RADIO OPTION	1	SEE PAGE 331
6	1027226	RADIO OPTION	1	SEE PAGE 333
7*	1035204**	PL 180 AUX WINCH OPTION	1	SEE PAGE 335
8*	1008824**	COLD WEATHER OPTIONS	1	SEE PAGE 341
9*	1035213**	XO WIRELESS CONTROL OPTIONS	1	SEE PAGE 347
10*	1037994	PL 180 LUFFING JIB INSTALLATION	1	SEE PAGE 353
11*	1036027	PL 180 TOOL CIRCUIT ASSEMBLY	1	SEE PAGE 365
12*	1037043	PL 180 INTENSIFIER	1	SEE PAGE 375
	NOTE:	*NOT SHOWN IN THE ILLUSTRATION **NOT SERVICEABLE AT THIS LEVEL		

WHEN ORDERING PARTS, SPECIFY MODEL NUMBER, SERIAL NUMBER AND DESCRIPTION OF PARTS REQUIRED



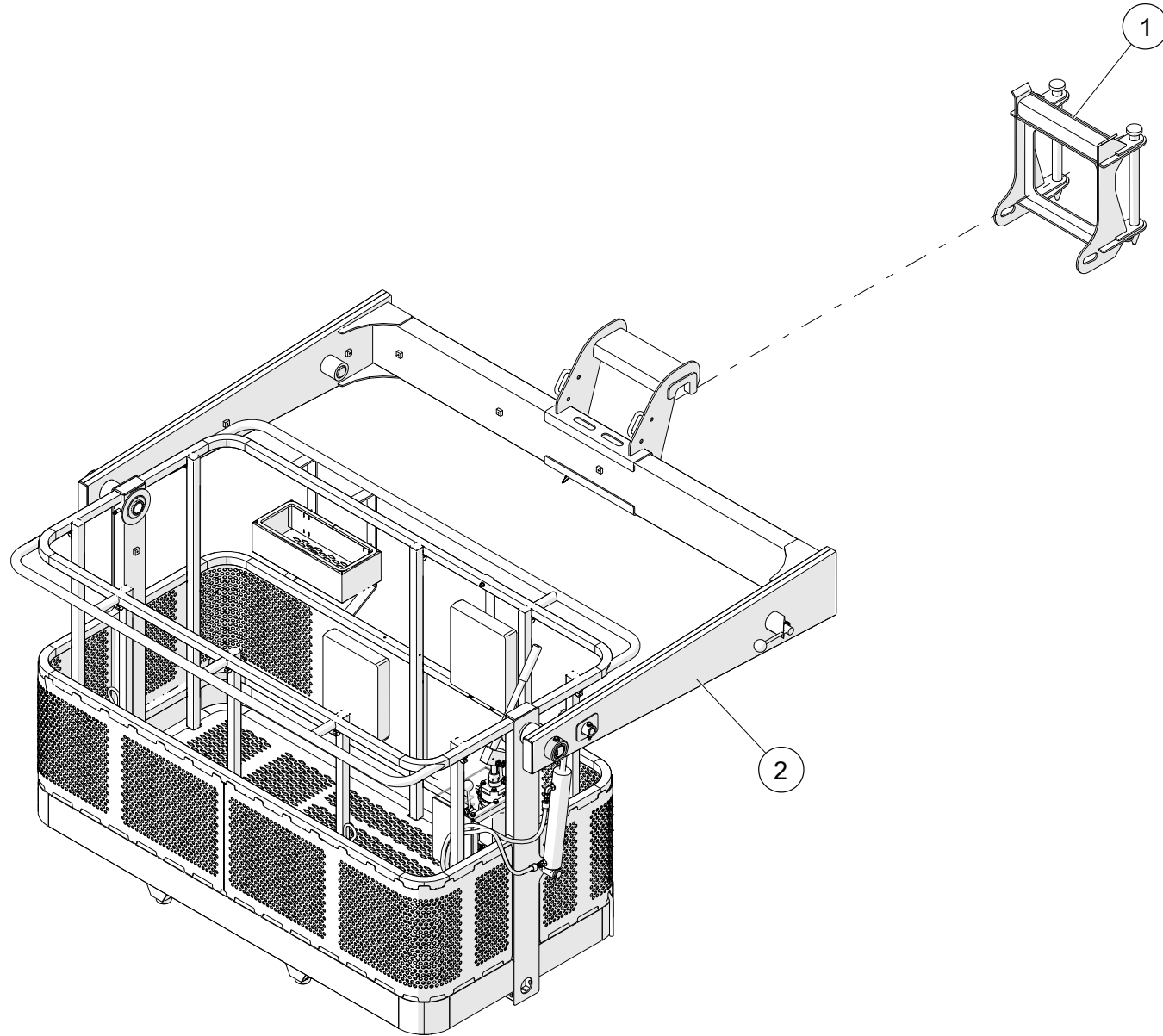
WHEN ORDERING PARTS, SPECIFY MODEL NUMBER, SERIAL NUMBER AND DESCRIPTION OF PARTS REQUIRED

PL 180 - MAN BASKET OPTIONS

ITEM	PART NUMBER	DESCRIPTION	QUANTITY	NOTES
	1039867	PL 180 - MAN BASKET OPTIONS		
1	1025703	2-MAN PLATFORM INSTALLATION	1	SEE PAGE 311
2	1038767	PL 180 BASKET STOWAGE INSTALLATION	1	SEE PAGE 321

WHEN ORDERING PARTS, SPECIFY MODEL NUMBER, SERIAL NUMBER AND DESCRIPTION OF PARTS REQUIRED

2-MAN PLATFORM INSTALLATION



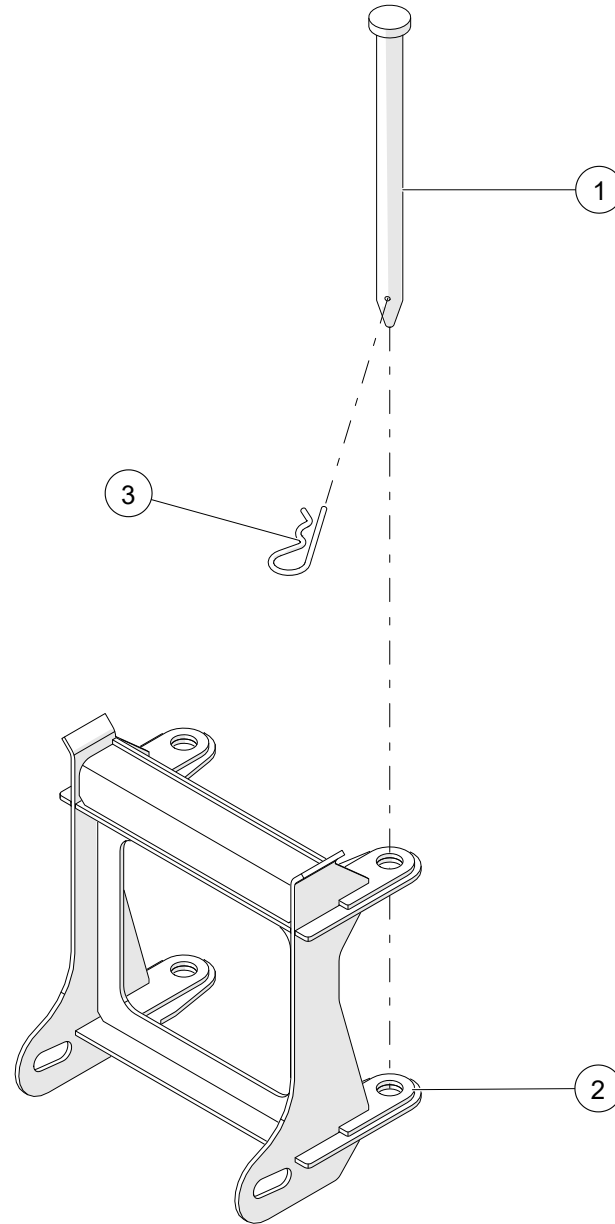
WHEN ORDERING PARTS, SPECIFY MODEL NUMBER, SERIAL NUMBER AND DESCRIPTION OF PARTS REQUIRED

2-MAN PLATFORM INSTALLATION

ITEM	PART NUMBER	DESCRIPTION	QUANTITY	NOTES
	1025703	2-MAN PLATFORM INSTALLATION		
1	1035656	MAN BASKET BRACKET ASSEMBLY	1	SEE PAGE 313
2	1037484	LONG STRAIGHT MAN BASKET	1	SEE PAGE 315

WHEN ORDERING PARTS, SPECIFY MODEL NUMBER, SERIAL NUMBER AND DESCRIPTION OF PARTS REQUIRED

MAN BASKET BRACKET ASSEMBLY



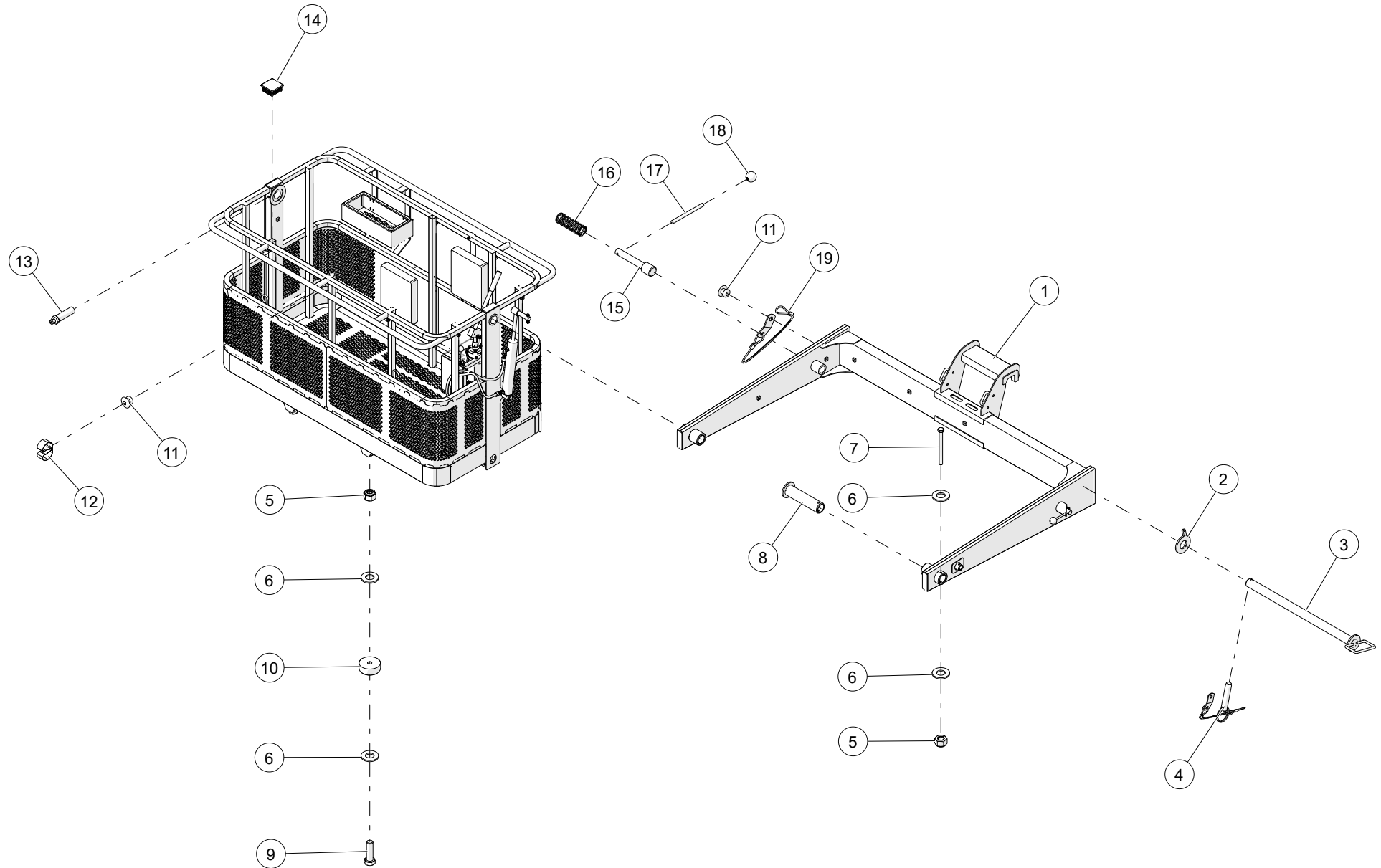
WHEN ORDERING PARTS, SPECIFY MODEL NUMBER, SERIAL NUMBER AND DESCRIPTION OF PARTS REQUIRED

MAN BASKET BRACKET ASSEMBLY

ITEM	PART NUMBER	DESCRIPTION	QUANTITY	NOTES
	1035656	MAN BASKET BRACKET ASSEMBLY		
1	1035157	PIN, MAN BASKET BRACKET ATTACHMENT	2	
2	1031510	WELDMENT MANBASKET BRACKET	1	
3	PIN2-X250D00YZ0	HAIR PIN, 11/64 DIA X 3 3/4 LEN, ZINC	2	

WHEN ORDERING PARTS, SPECIFY MODEL NUMBER, SERIAL NUMBER AND DESCRIPTION OF PARTS REQUIRED

LONG STRAIGHT MAN BASKET



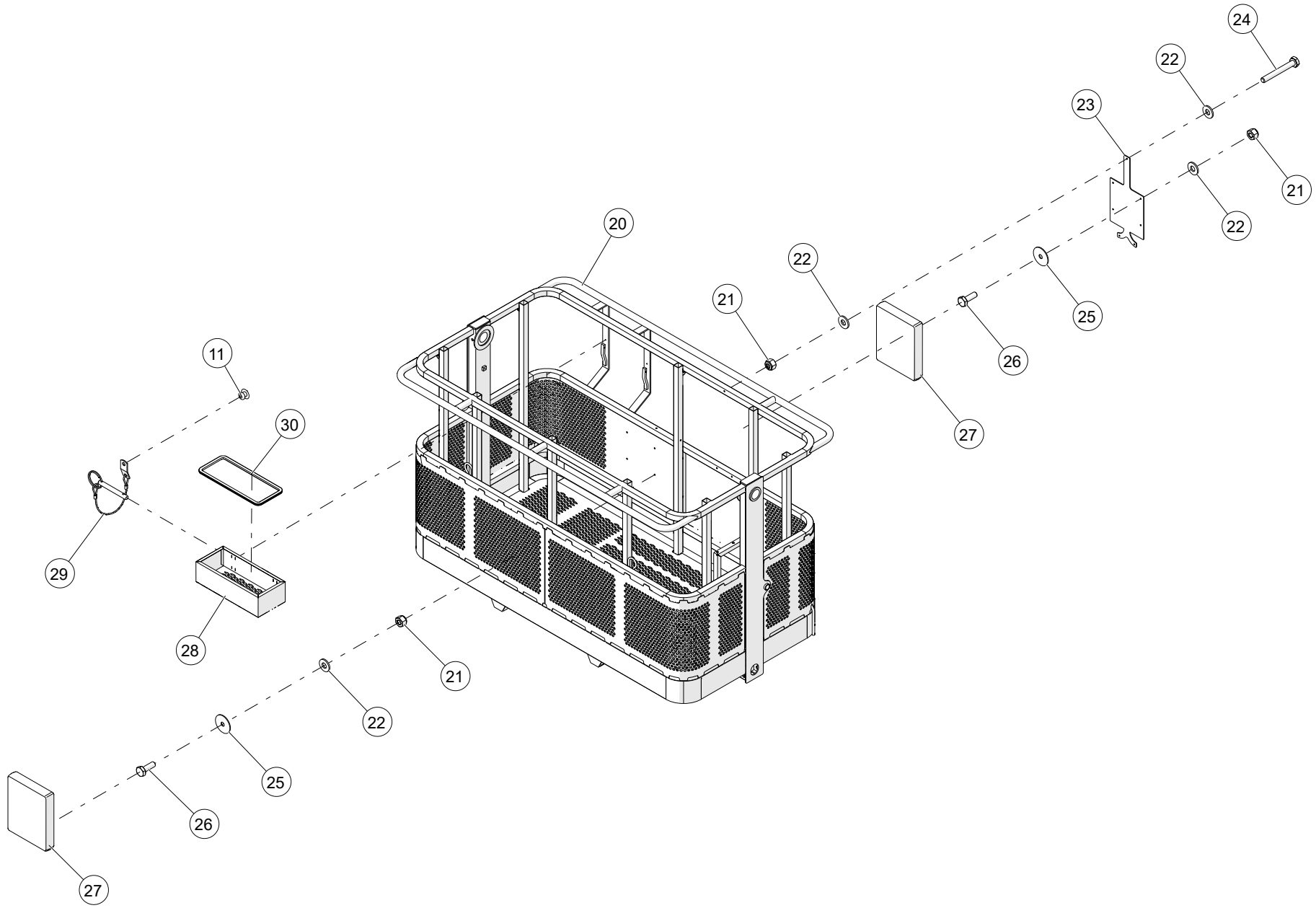
WHEN ORDERING PARTS, SPECIFY MODEL NUMBER, SERIAL NUMBER AND DESCRIPTION OF PARTS REQUIRED

LONG STRAIGHT MAN BASKET

ITEM	PART NUMBER	DESCRIPTION	QUANTITY	NOTES
	1037484	LONG STRAIGHT MAN BASKET		
1	1037485	LONG YOKE MAN BASKET	1	
2	1032887	YOKE MOUNT PIN, RETAINING WASHER	1	
3	1032888	YOKE MOUNT PIN WELDMENT	1	
4	1033284	RING-GRIP QUICK-RELEASE PIN, 3/8" X 1-1/8" WITH 6" LANYARD	1	
5	NUT3-C3130008Z0	NYLON LOCK NUT, 5/16-18, GR8, ZN	6	
6	WSH2-X3750008Z0	SAE WASHER, 3/8, GR8, ZN	14	
7	HHCS-C313C758R1	HEX HEAD CAP SCREW, 5/16-18 X 3 3/4 LEN, GR8, NF, FULL THREAD	2	
8	1032957	BASKET PRIMARY PIN WELDMENT	2	
9	HHCS-C375A258Z0	HEX HEAD CAP SCREW, 3/8-16 X 1 1/4 LEN, GR8, ZN	6	
10	1033148	RUBBER BUMPER FOOT	6	
11	1033209	BLIND RIVET, 3/16" X 0.032-0.375	14	
12	1033286	TOOL HOLDER, 1/2"	9	
13	1033211	GREASE FITTING, 1/8"-27, 1-3/4"L	2	
14	1033287	SQ TUBE CAP - 1-1/4IN	9	
15	1037731	PIN, BASKET RETENTION	2	
16	1038378	Spring	2	
17	1038467	ROD, HANDLE SHAFT	2	
18	1038379	BALL KNOB	2	
19	1033245	LANYARD LOOP-TO-TAB, 1/16" ROPE X 24" LONG	1	

WHEN ORDERING PARTS, SPECIFY MODEL NUMBER, SERIAL NUMBER AND DESCRIPTION OF PARTS REQUIRED

LONG STRAIGHT MAN BASKET



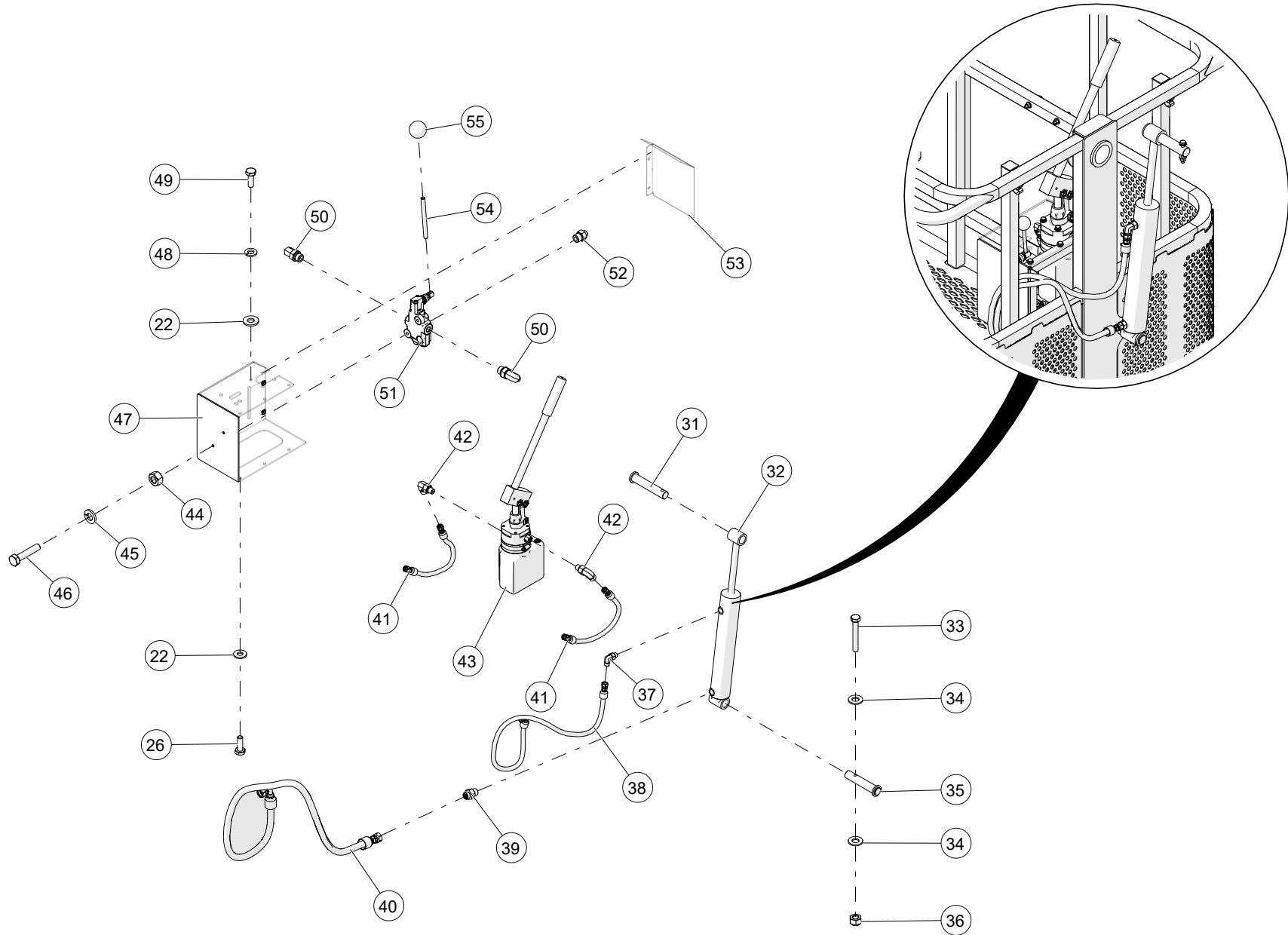
WHEN ORDERING PARTS, SPECIFY MODEL NUMBER, SERIAL NUMBER AND DESCRIPTION OF PARTS REQUIRED

LONG STRAIGHT MAN BASKET

ITEM	PART NUMBER	DESCRIPTION	QUANTITY	NOTES
	1037484	LONG STRAIGHT MAN BASKET		
20	1032917	MAN BASKET WELDMENT	1	
21	NUT3-C2500005Z0	NYLON LOCK NUT, 1/4-20, GR5, ZN	11	
22	WSH2-X2500008Z0	SAE WASHER, 1/4, GR8, ZN	26	
23	1032961	DOC BOX PANEL	1	
24	HHCS-C250B008R0	HEX HEAD CAP SCREW, 1/4-20 X 2 LEN, GR8, NF	3	
25	1033196	OVERSIZED FLAT WASHER, 1/4" SCREW	8	
26	HHCS-C2507505Z0	HEX HEAD CAP SCREW, 1/4-20 X 3/4 LEN, GR5, ZN	16	
27	1033379	MANUAL-PAK	2	
28	1032963	TOOL BASKET WELDMENT	1	
29	1033288	RING-GRIP QUICK-RELEASE PIN, 1/4" X 1-5/8" WITH 6" LANYARD	2	
30	1033285	U-CHANNEL PUSH-ON TRIM, 1/8" X 31/64" X 40-3/4" LONG	1	

WHEN ORDERING PARTS, SPECIFY MODEL NUMBER, SERIAL NUMBER AND DESCRIPTION OF PARTS REQUIRED

LONG STRAIGHT MAN BASKET



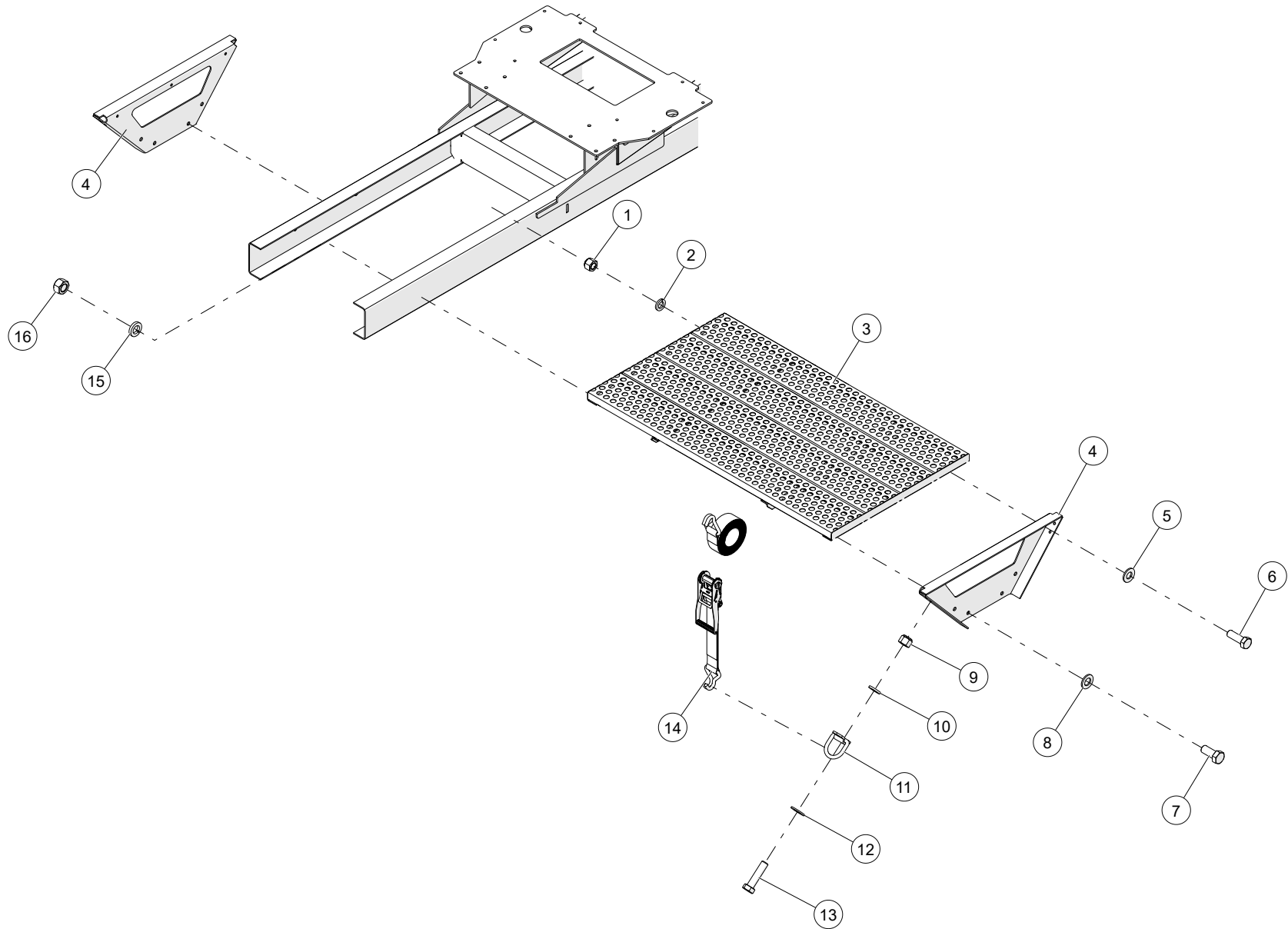
WHEN ORDERING PARTS, SPECIFY MODEL NUMBER, SERIAL NUMBER AND DESCRIPTION OF PARTS REQUIRED

LONG STRAIGHT MAN BASKET

ITEM	PART NUMBER	DESCRIPTION	QUANTITY	NOTES
	1037484	LONG STRAIGHT MAN BASKET		
31	1032913	HYDRAULIC PIN (YOKE) WELDMENT	1	
32	1033031	HYDRAULIC CYLINDER	1	
33	HHCS-C313B255Z0	HEX HEAD CAP SCREW, 5/16-18 X 2 1/4 LEN, GR5, ZN	2	
34	WSH2-X3130008Z0	SAE WASHER, 5/16, GR8, ZN	6	
35	1032954	HYDRAULIC PIN (BASKET) WELDMENT	1	
36	NUT3-C3130005Z0	NYLON LOCK NUT, 5/16-18, GR5, ZN	2	
37	1013998	ELBOW, 90, MOFS-4/MORB-6	1	
38	1034349	HOSE, -4, 3000, FOFS-4SW/90 FOFS-4SW, 42.75	1	
39	1010068	ADAPTER, MOFS-4/MORB-6	1	
40	1034354	HOSE, -4, 3000, FOFS-4SW/90 FOFS-4SW, 31.5	1	
41	1034361	HOSE, -4, 3000, FOFS-4SW/FOFS-4SW, 16.5	2	
42	1013997	ELBOW, 90, MOFS-4/MORB-4	2	
43	1008350	PUMP, MAN BASKET	1	
44	NUT1-C3130008Z0	HEX NUT, 5/16-18, GR8, ZN	2	
45	WSH4-X3130008Z0	SPIRAL LOCK WASHER, 5/16, GR8, ZN	2	
46	HHCS-C313A508R0	HEX HEAD CAP SCREW, 5/16-18 X 1 1/2 LEN, GR8, NF	2	
47	1032969	CONTROL BOX WELDMENT	1	
48	WSH4-X2500008Z0	SPIRAL LOCK WASHER, 1/4, GR8, ZN	4	
49	HHCS-C2507508R0	HEX HEAD CAP SCREW, 1/4-20 X 3/4 LEN, GR8, NF	4	
50	1013999	ELBOW, 90, MOFS-4/MORB-8	2	
51	1008349	VALVE, MAN BASKET LEVEL	1	
52	1010069	ADAPTER, MOFS-4/MORB-8	2	
53	1032968	CONTROL BOX COVER	1	
54	1034406	ALL THREAD, M8X1.25X4IN	1	
55	1034414	KNOB, RED BALL, THREADED M8X1.25, 1.4"	1	

WHEN ORDERING PARTS, SPECIFY MODEL NUMBER, SERIAL NUMBER AND DESCRIPTION OF PARTS REQUIRED

PL 180 BASKET STORAGE INSTALLATION

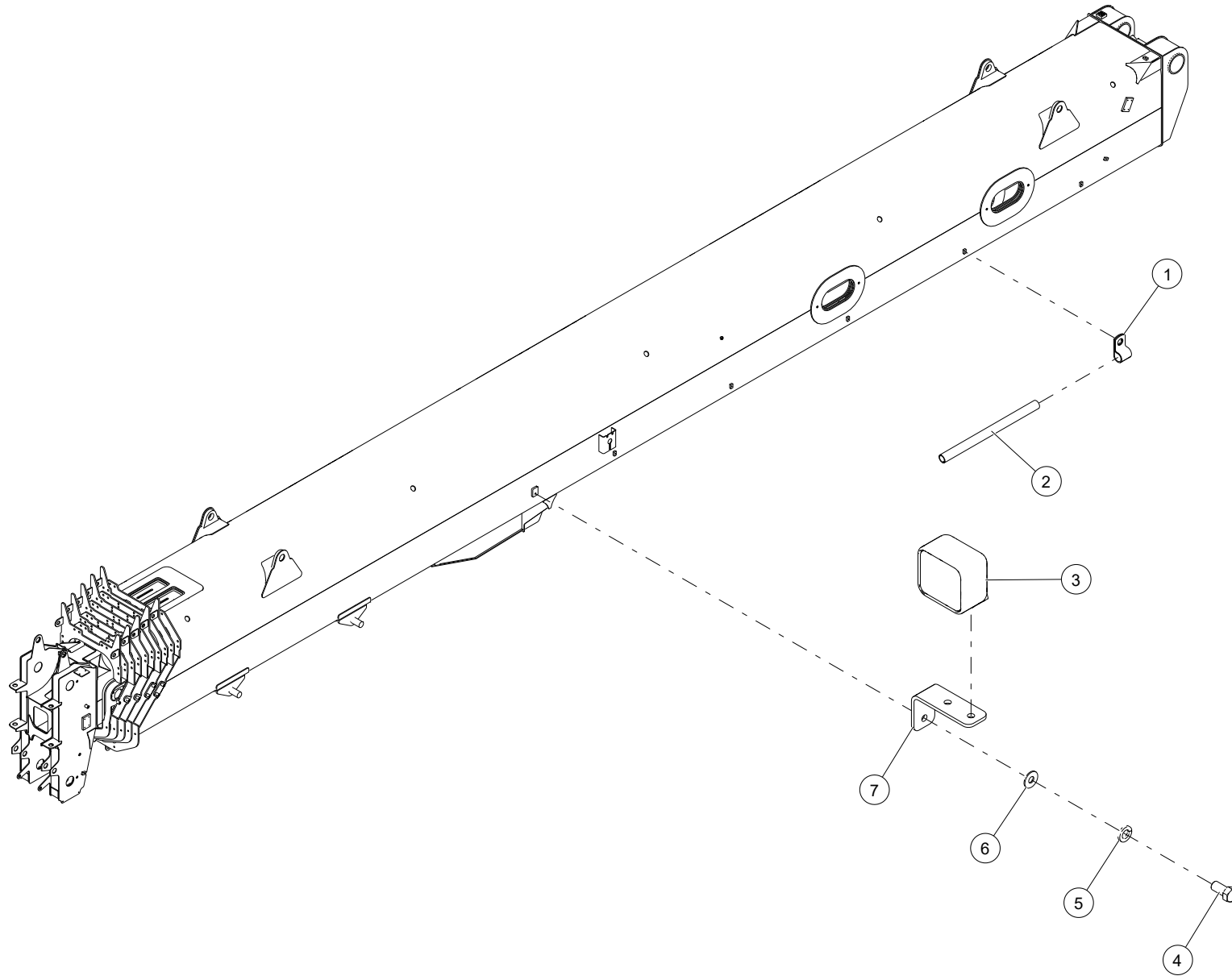


WHEN ORDERING PARTS, SPECIFY MODEL NUMBER, SERIAL NUMBER AND DESCRIPTION OF PARTS REQUIRED

PL 180 BASKET STOWAGE INSTALLATION

ITEM	PART NUMBER	DESCRIPTION	QUANTITY	NOTES
	1038767	PL 180 BASKET STOWAGE INSTALLATION		
1	NUT3-C5000008Z0	NYLON LOCK NUT, 1/2-13, GR8, ZN	6	
2	WSH4-X5000008Z0	SPIRAL LOCK WASHER, 1/2, GR8, ZN	6	
3	1038932	WELDMENT, BASKET PLATFORM	1	
4	1038820	PLATE, BASKET PLATFORM	2	
5	WSH2-X5000008Z0	SAE WASHER, 1/2, GR8, ZN	6	
6	HHCS-C500A508Z0	HEX HEAD CAP SCREW, 1/2-13 X 1 1/2 LEN, GR8, ZN	6	
7	HHCS-C750A758M0	HEX HEAD CAP SCREW, 3/4-10 X 1 3/4 LEN, GR8, MA	8	
8	WSH2-X7500008Z0	SAE WASHER, 3/4, GR8, ZN	8	
9	NUT3-C3750008Z0	NYLON LOCK NUT, 3/8-16, GR8, ZN	8	
10	WSH4-X3750008Z0	SPIRAL LOCK WASHER, 3/8, GR8, ZN	8	
11	1039288	TIE DOWN RING	4	
12	WSH2-X3750008Z0	SAE WASHER, 3/8, GR8, ZN	8	
13	HHCS-C375A508Z0	HEX HEAD CAP SCREW, 3/8-16 X 1 1/2 LEN, GR8, ZN	8	
14	1038961	RATCHET STRAP 2"X12' 2,000 CAPACITY	2	
15	WSH5-X7500008Z0	SPIRAL LOCK WASHER, 3/4, GR8, ZN	8	
16	NUT1-C7500008M0	HEX NUT, 3/4-10, GR8, MA	8	

WHEN ORDERING PARTS, SPECIFY MODEL NUMBER, SERIAL NUMBER AND DESCRIPTION OF PARTS REQUIRED

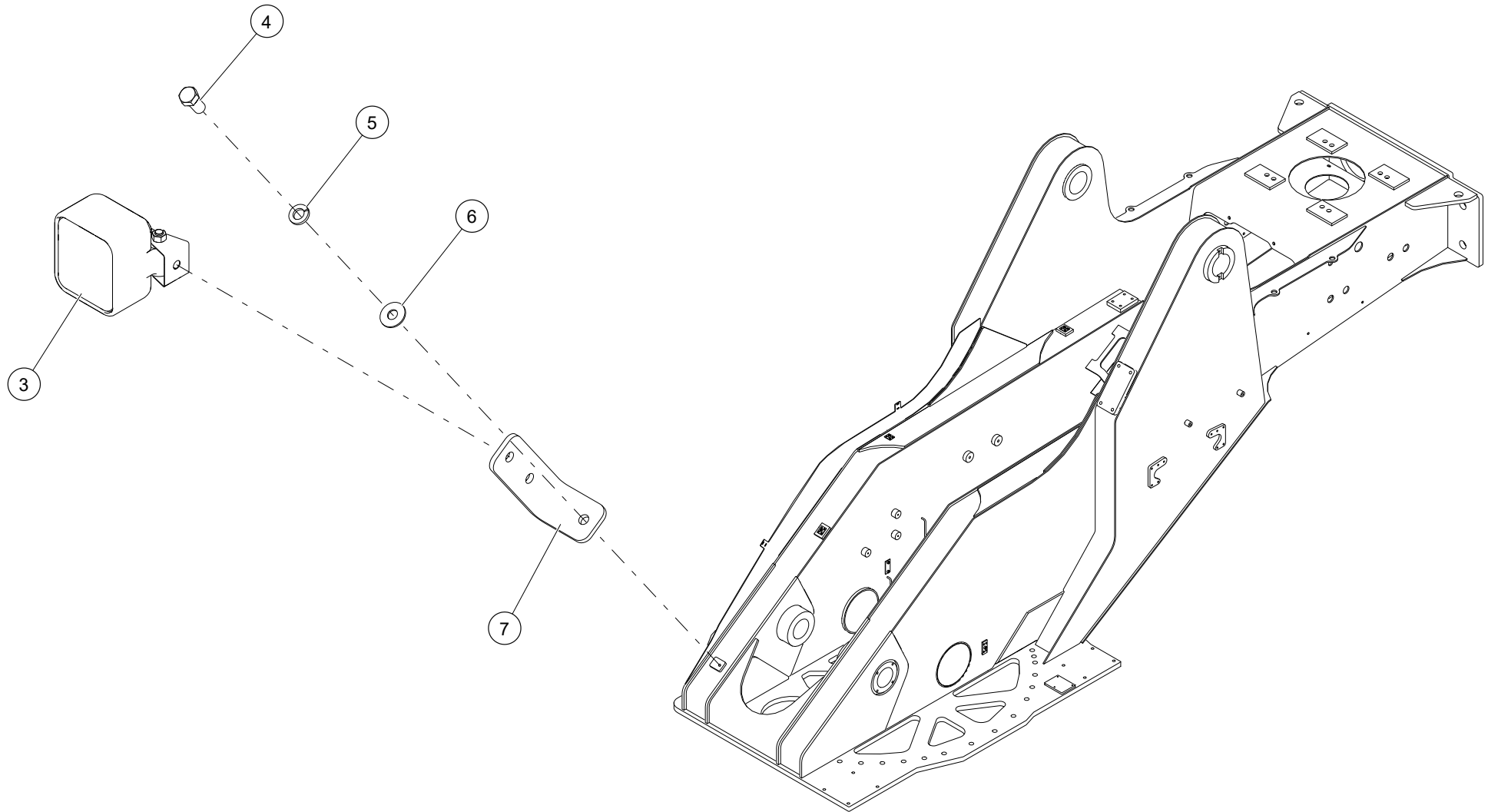


WHEN ORDERING PARTS, SPECIFY MODEL NUMBER, SERIAL NUMBER AND DESCRIPTION OF PARTS REQUIRED

WORK LIGHT INSTALLATION

ITEM	PART NUMBER	DESCRIPTION	QUANTITY	NOTES
	1035133	WORK LIGHT INSTALLATION		
1	200B2007-4	CLAMP, MED, 1/2 ID	5	
2	206F4255	TUBE	1	
3	T111783	LIGHT, WORK	2	
4	HHCS-C4388755Z0	HEX HEAD CAP SCREW, 7/16-14 X 7/8 LEN, GR5, ZN	2	
5	WSH4-X4380008Z0	SPIRAL LOCK WASHER, 7/16, GR8, ZN	2	
6	WSH3-X4380008Z0	FENDER WASHER, 7/16, GR8, ZN	2	
7	707-4688	BRACKET	2	

WHEN ORDERING PARTS, SPECIFY MODEL NUMBER, SERIAL NUMBER AND DESCRIPTION OF PARTS REQUIRED



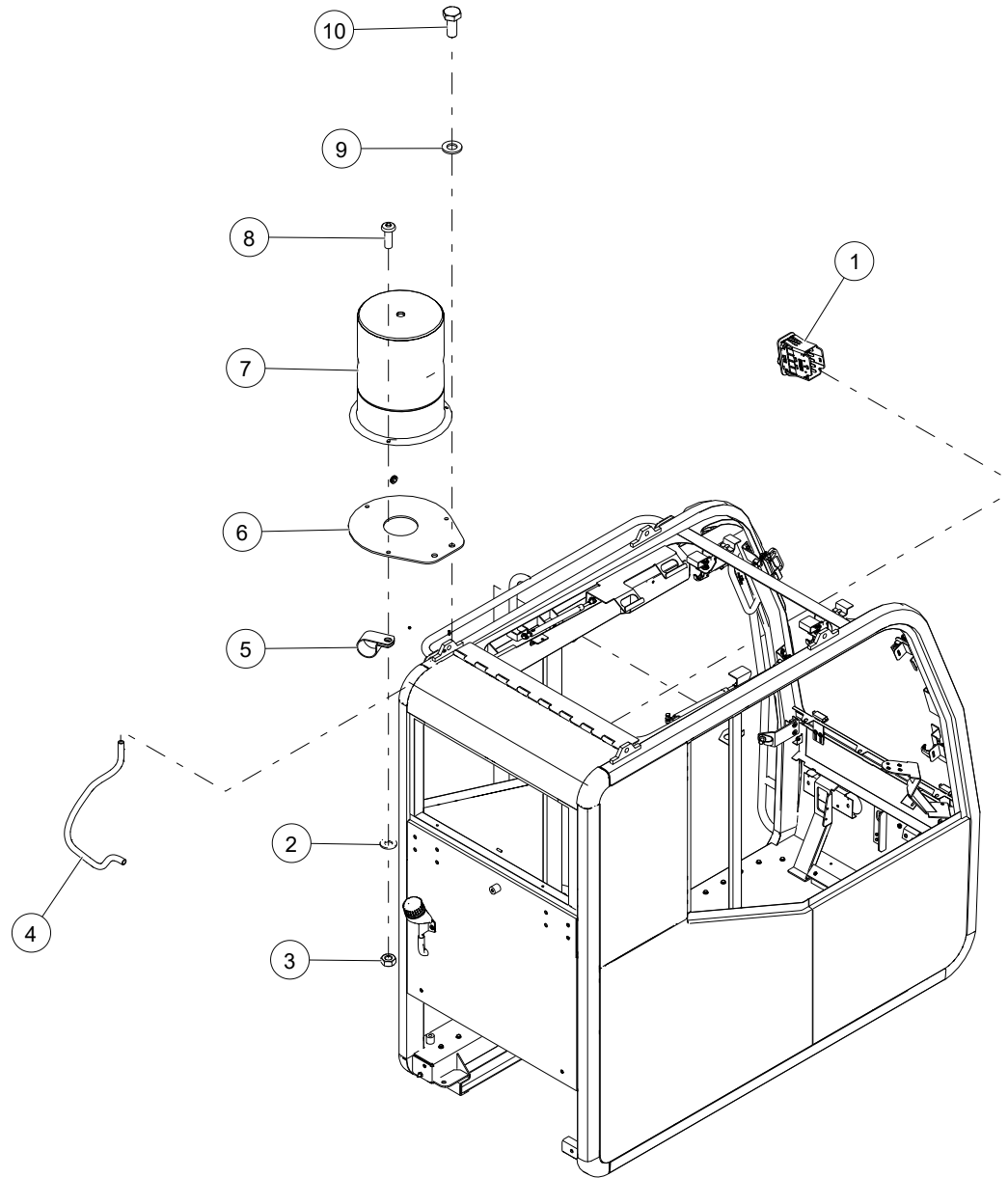
WHEN ORDERING PARTS, SPECIFY MODEL NUMBER, SERIAL NUMBER AND DESCRIPTION OF PARTS REQUIRED

WORK LIGHT INSTALLATION

ITEM	PART NUMBER	DESCRIPTION	QUANTITY	NOTES
	1035133	WORK LIGHT INSTALLATION		
1	200B2007-4	CLAMP, MED, 1/2 ID	5	
2	206F4255	TUBE	1	
3	T111783	LIGHT, WORK	2	
4	HHCS-C4388755Z0	HEX HEAD CAP SCREW, 7/16-14 X 7/8 LEN, GR5, ZN	2	
5	WSH4-X4380008Z0	SPIRAL LOCK WASHER, 7/16, GR8, ZN	2	
6	WSH3-X4380008Z0	FENDER WASHER, 7/16, GR8, ZN	2	
7	707-4688	BRACKET	2	

WHEN ORDERING PARTS, SPECIFY MODEL NUMBER, SERIAL NUMBER AND DESCRIPTION OF PARTS REQUIRED

STROBE LIGHT INSTALLATION



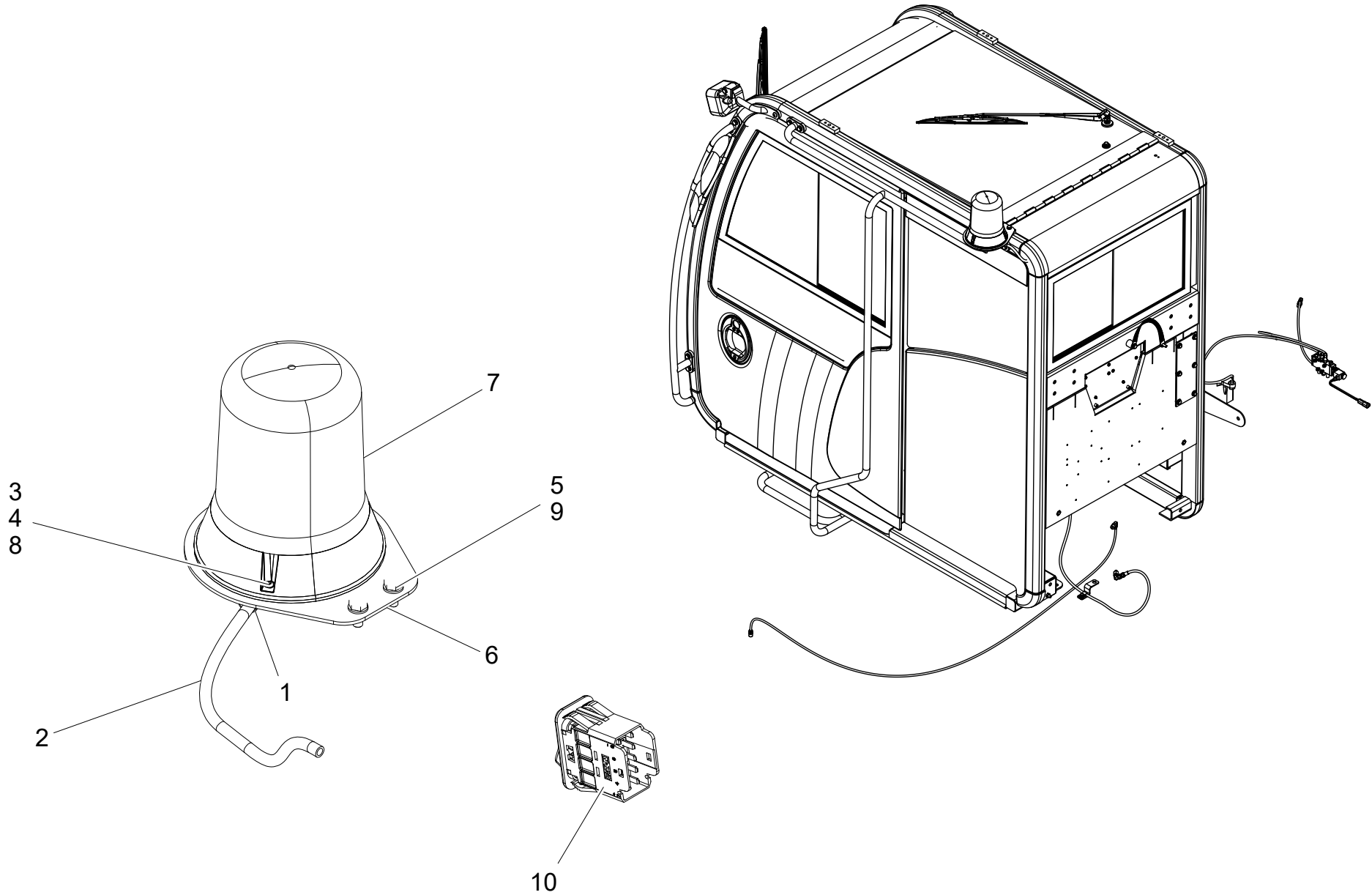
WHEN ORDERING PARTS, SPECIFY MODEL NUMBER, SERIAL NUMBER AND DESCRIPTION OF PARTS REQUIRED

STROBE LIGHT INSTALLATION

ITEM	PART NUMBER	DESCRIPTION	QUANTITY	NOTES
	T124067	STROBE LIGHT INSTALLATION		
1	1223-1026	SWITCH, BEACON	1	
2	WMF-40MX000-20	WSH, FLAT M4 DIN125, ST SQC	3	
3	N24-407M000-28	NUT, HEX M4-0.7, DIN 934, ST SQC C8.8	3	
4	400-01411	LOOM, SPLIT POLY-1/4 (FEET)	1	
5	1240-51	CLAMP	1	
6	T121519	BRACKET, STROBE LIGHT	1	
7	420-4974	LIGHT, STROBE	1	
8	S46-407M012-28	SCR, BSHCHS, M4-0.7X12, ST SQC C8.8	3	
9	WMF-80MX000-20	WSH, FLAT M8 DIN125, ST SQC	2	
10	SMF-08BM018-28	SCR, HHCS M8-1.25X18 FT,STZ 8.8	2	
11*	1223-872	SOCKET	2	
12*	T135407	WEDGE LOCK, W2P	1	
	NOTE:	*NOT SHOW IN THE ILLUSTRATION		

WHEN ORDERING PARTS, SPECIFY MODEL NUMBER, SERIAL NUMBER AND DESCRIPTION OF PARTS REQUIRED

REVOLVING AMBER LIGHT INSTALLATION

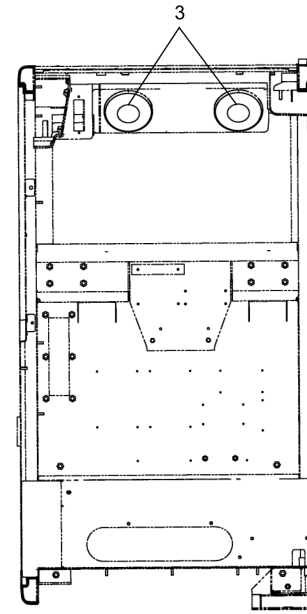
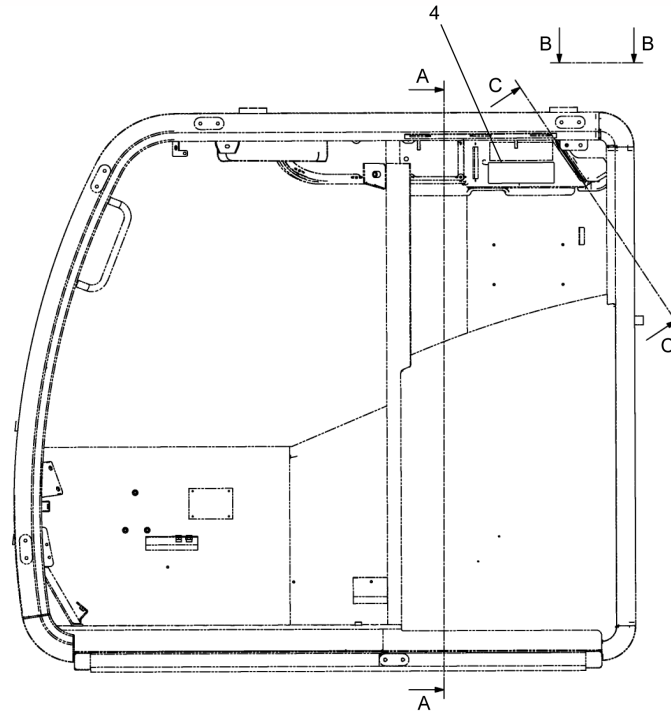


WHEN ORDERING PARTS, SPECIFY MODEL NUMBER, SERIAL NUMBER AND DESCRIPTION OF PARTS REQUIRED

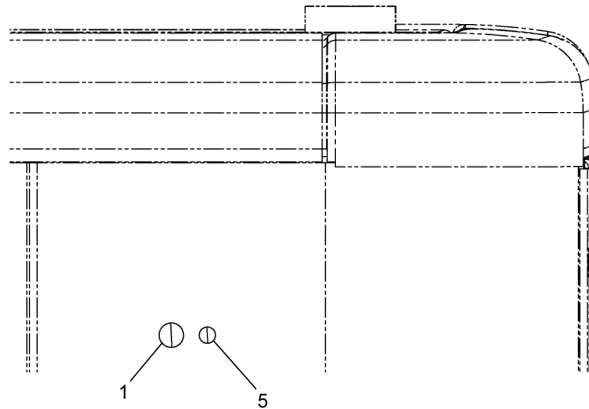
REVOLVING AMBER LIGHT INSTALLATION

ITEM	PART NUMBER	DESCRIPTION	QUANTITY	NOTES
	T134670	REVOLVING AMBER LIGHT INSTALLATION		
1	1240-51	CLAMP	1	
2	400-01411	LOOM,SPLIT POLY-1/4 (FEET)	1	
3	N24-407M000-28	NUT, HEX M4-0.7, DIN 934, ST SQC C8.8	3	
4	S46-407M016-28	BHSHCS, M4-0.7 X 16	3	
5	SMF-08BM018-28	SCR, HHCS M8-1.25X18 FT, STZ 8.8	2	
6	T134675	BRACKET, REVOLVING AMBER LIGHT	1	
7	T135443	LIGHT, REVOLVING, AMBER	1	
8	WMF-40MX000-20	WSH, FLAT M4 DIN125, ST SQC	3	
9	WMF-80MX000-20	WSH, FLAT M8 DIN125, ST SQC	2	
10	1223-1026	SWITCH, BEACON	1	

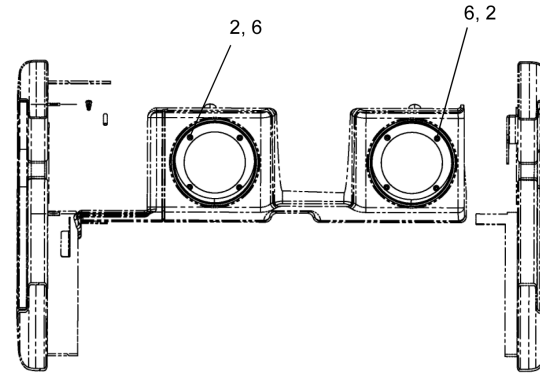
WHEN ORDERING PARTS, SPECIFY MODEL NUMBER, SERIAL NUMBER AND DESCRIPTION OF PARTS REQUIRED



SECTION A-A



VIEW B-B



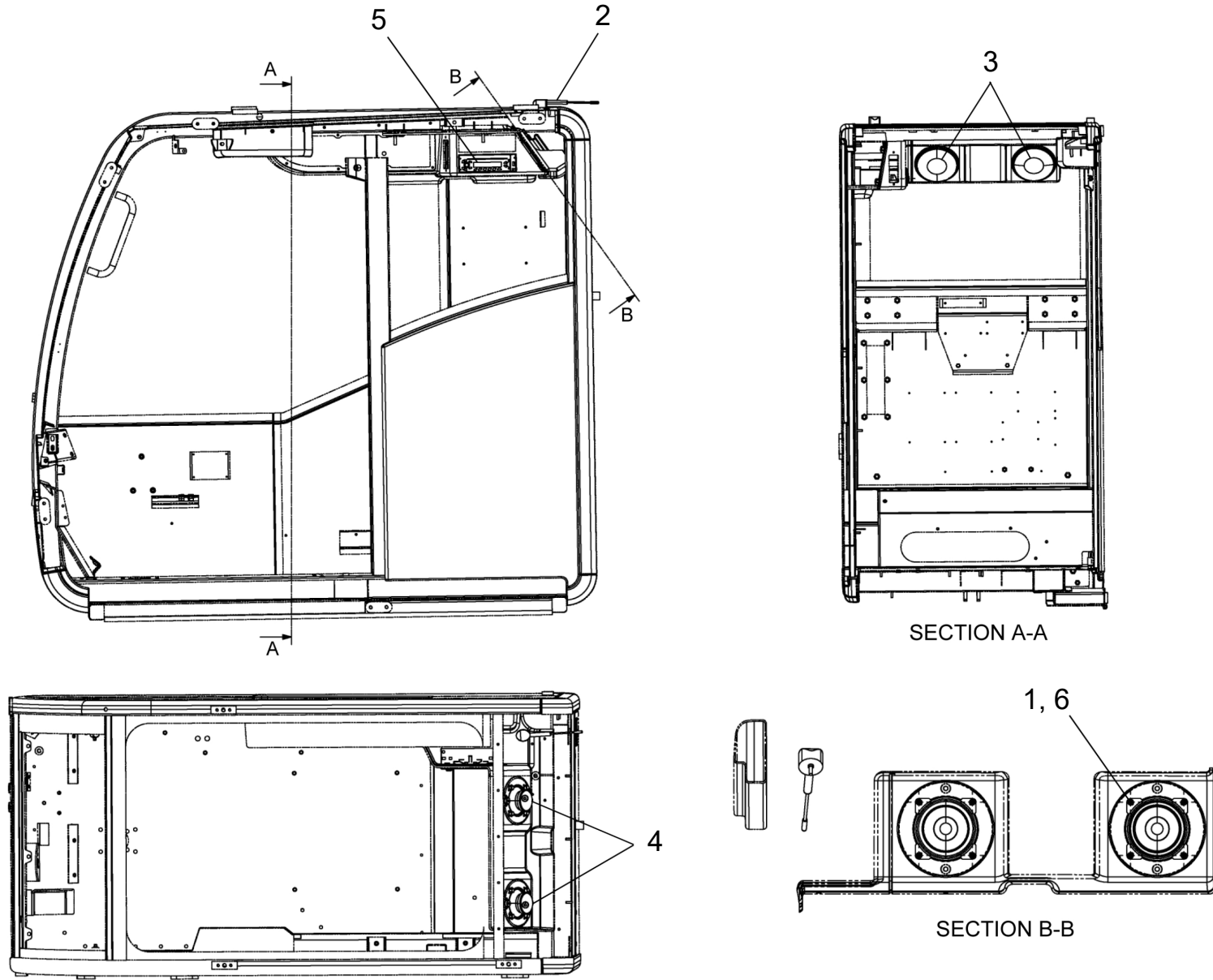
SECTION C-C

WHEN ORDERING PARTS, SPECIFY MODEL NUMBER, SERIAL NUMBER AND DESCRIPTION OF PARTS REQUIRED

NO RADIO OPTION

ITEM	PART NUMBER	DESCRIPTION	QUANTITY	NOTES
	T127309	NO RADIO OPTION		
1	1222-219	PLUG, 5/16 HOLE	1	
2	S46-407M80M-B1	BHSHCS, M4-0.7 X 8, BLK OX, C10.9	8	
3	T111788	COVER, SPEAKER	2	
4	T122107	COVER PLATE, DIN POCKET	1	
5	T132672	PLUG, BLACK DOME, 3/16	1	
6	WMF-40MX000-BX	WSH, FLAT M4 DIN125, STL, BLK OX	8	

WHEN ORDERING PARTS, SPECIFY MODEL NUMBER, SERIAL NUMBER AND DESCRIPTION OF PARTS REQUIRED

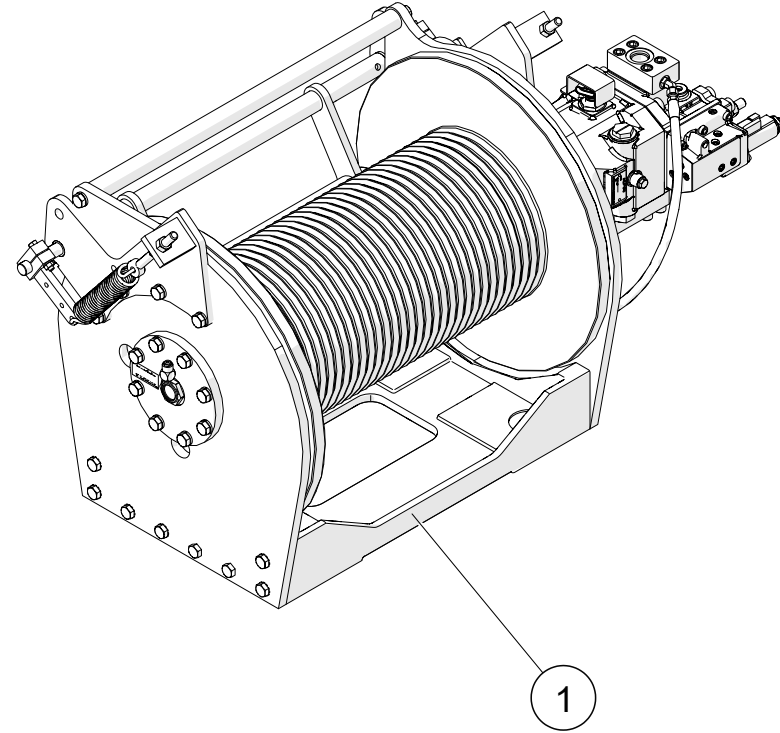
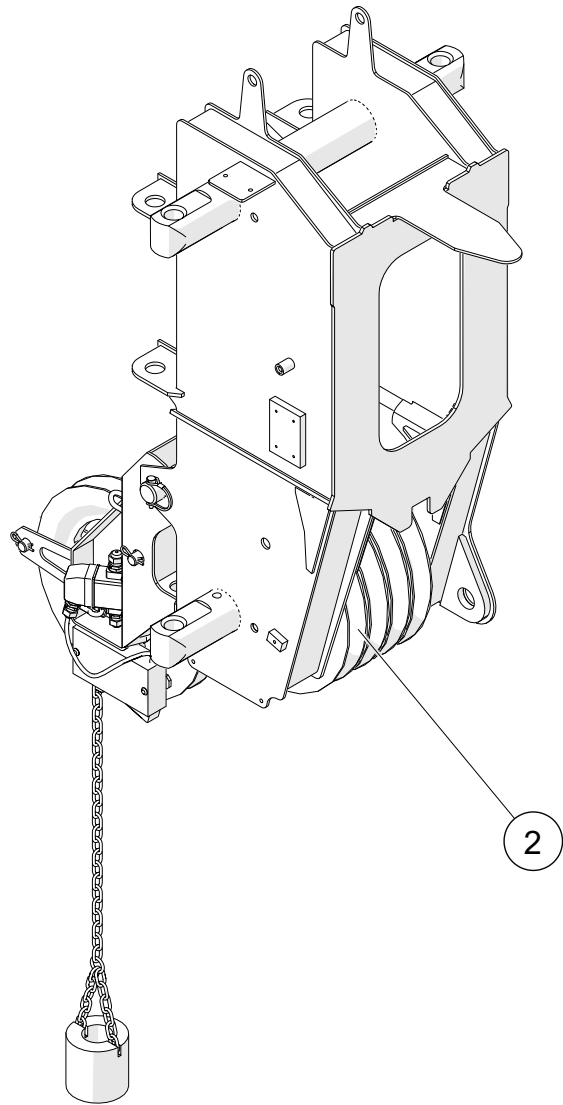


WHEN ORDERING PARTS, SPECIFY MODEL NUMBER, SERIAL NUMBER AND DESCRIPTION OF PARTS REQUIRED

RADIO OPTION

ITEM	PART NUMBER	DESCRIPTION	QUANTITY	NOTES
	1027226	RADIO OPTION		
1	S46-407M80M-B1	BHSHCS, M4-0.7 X 8, BLK OX, C10.9	8	
2	T111787	ANTENNA	1	
3	T111788	COVER, SPEAKER	2	
4	T111789	SPEAKER	2	
5	1027227	RADIO, AM/FM/CD	1	
6	WMF-40MX000-P0	WSH, FLAT M4 DIN125, STL	8	

WHEN ORDERING PARTS, SPECIFY MODEL NUMBER, SERIAL NUMBER AND DESCRIPTION OF PARTS REQUIRED



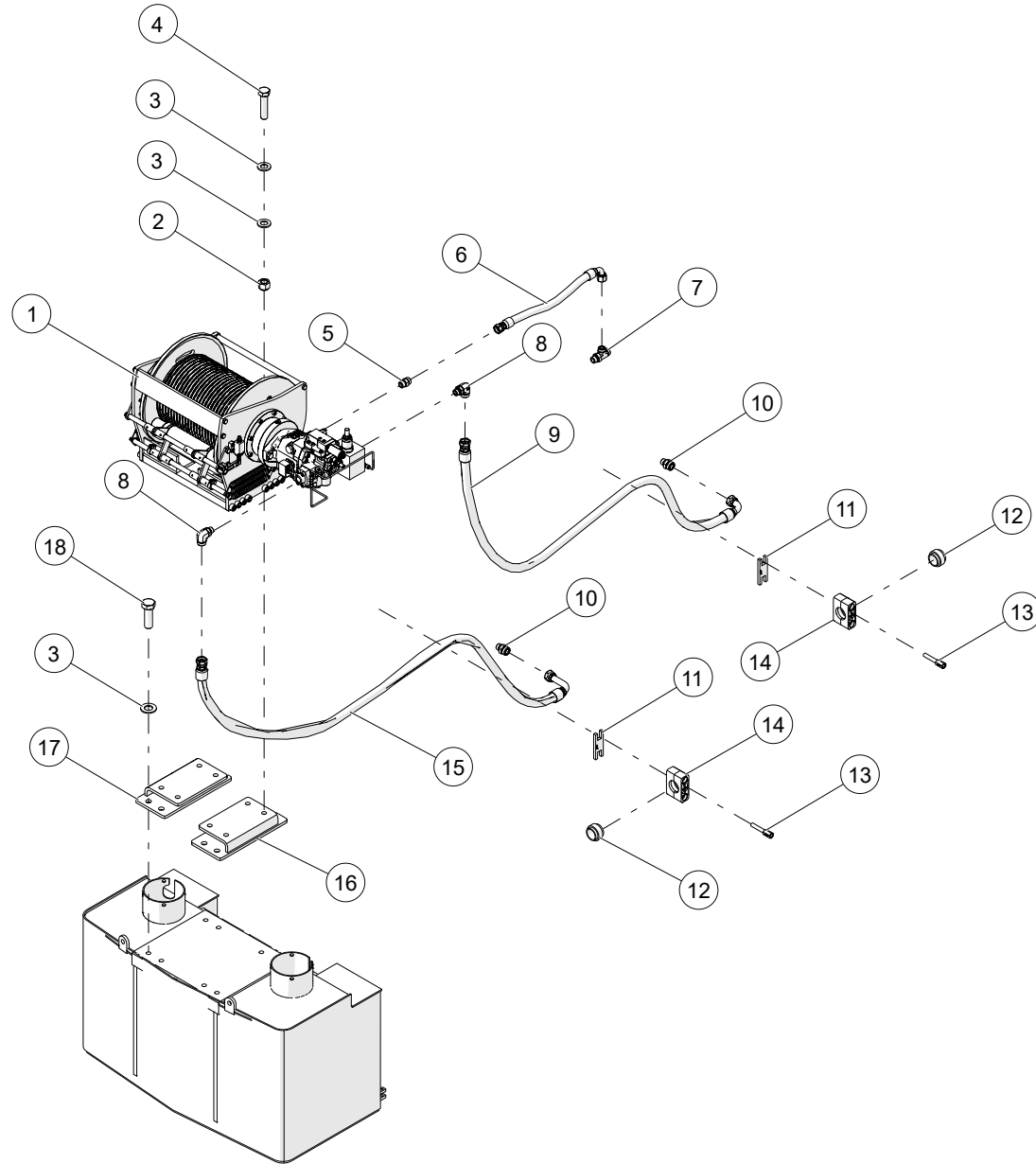
WHEN ORDERING PARTS, SPECIFY MODEL NUMBER, SERIAL NUMBER AND DESCRIPTION OF PARTS REQUIRED

PL 180 AUX WINCH OPTION

ITEM	PART NUMBER	DESCRIPTION	QUANTITY	NOTES
	1035204	PL 180 AUX WINCH OPTION		
1	1035205	AUX WINCH ASSEMBLY	1	SEE PAGE 337
2	1040357	AUX HEAD ASSEMBLY	1	SEE PAGE 339

WHEN ORDERING PARTS, SPECIFY MODEL NUMBER, SERIAL NUMBER AND DESCRIPTION OF PARTS REQUIRED

AUX WINCH ASSEMBLY



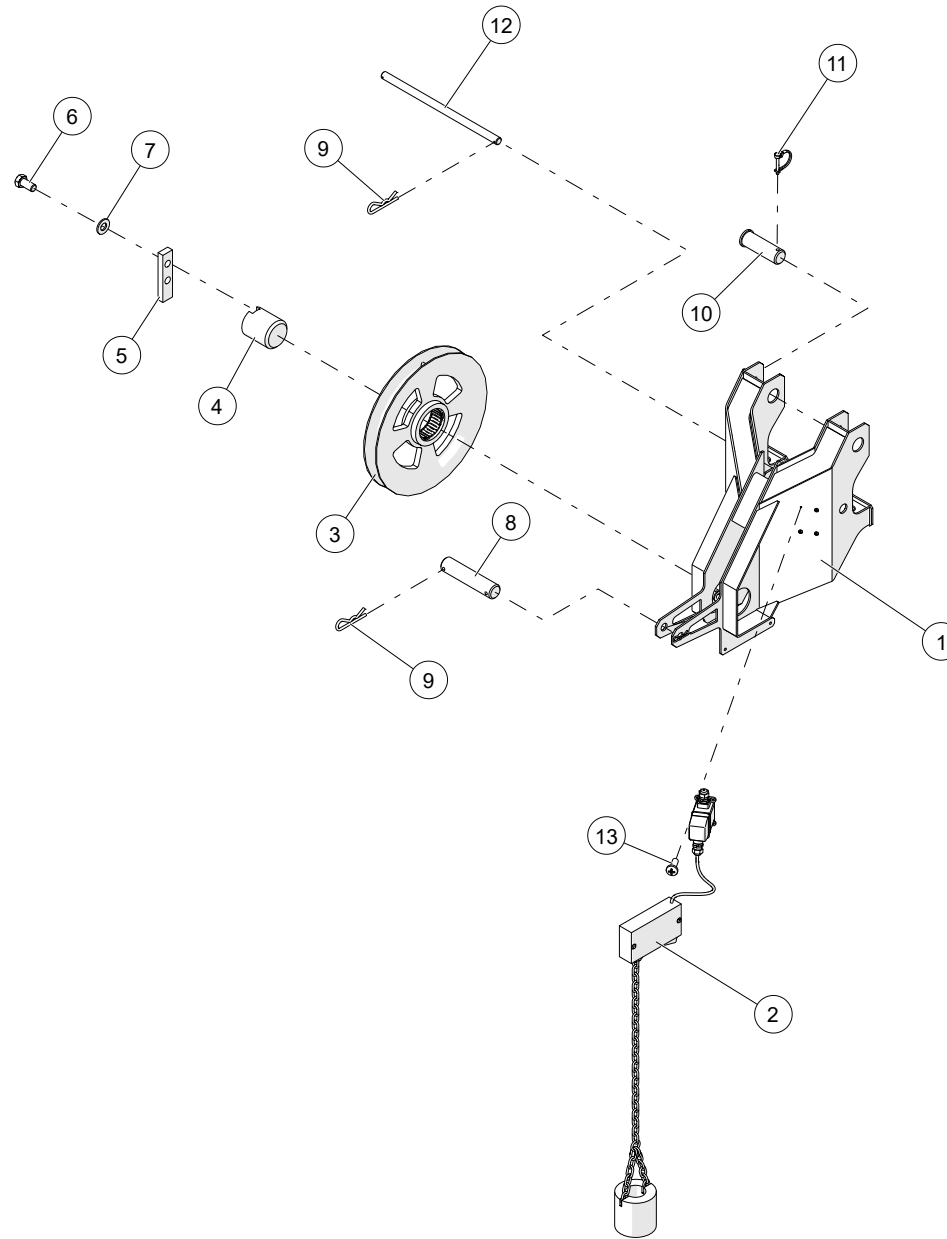
WHEN ORDERING PARTS, SPECIFY MODEL NUMBER, SERIAL NUMBER AND DESCRIPTION OF PARTS REQUIRED

AUX WINCH ASSEMBLY

ITEM	PART NUMBER	DESCRIPTION	QUANTITY	NOTES
	1035205	AUX WINCH ASSEMBLY		
1	1008361	WINCH, MAIN/AUX (DYNAMIC)	1	
2	NUT3-C7500008M0	NYLON LOCK NUT, 3/4-10, GR8, MA	8	
3	WSH2-X7500008Z0	SAE WASHER, 3/4, GR8, ZN	24	
4	HHCS-C750C258M0	HEX HEAD CAP SCREW	8	
5	1010088	ADAPTER, MOFS-12/MORB-12	1	
6	1027915	HOSE, -12, 300, FOFS-12SW / 90FOFS-12SW, 24.5	1	
7	1018090	TEE, MOFS-12/MORB-12/MOFS-12	1	
8	1014022	ELBOW, 90, MOFS-16/MORB-12	2	
9	1027906	HOSE, -16, 3000, FOFS-16SW / 90FOFS-16SW, 98.25	1	
10	1010092	ADAPTER, MOFS-16/MORB-12	2	
11	1034061	STAUFF LOCK PLATE, SIP-5S-W2	2	
12	1034063	RI-32-6/5S	2	
13	1034060	AF-5S-U-W3	4	
14	1034057	5S-PP-R	2	
15	1027907	HOSE, -16, 3000, FOFS-16SW / L90FOFS-16SW, 111.25	1	
16	1037261	WELDM'T, CWT WINCH MOUNT LH	1	
17	1037267	WELDM'T, CWT WINCH MOUNT RH	1	
18	HHCS-C750C758M0	HEX HEAD CAP SCREW, 3/4-10 X 3 3/4 LEN, GR8, MA	16	

WHEN ORDERING PARTS, SPECIFY MODEL NUMBER, SERIAL NUMBER AND DESCRIPTION OF PARTS REQUIRED

AUX HEAD ASSEMBLY



WHEN ORDERING PARTS, SPECIFY MODEL NUMBER, SERIAL NUMBER AND DESCRIPTION OF PARTS REQUIRED

AUX HEAD ASSEMBLY

ITEM	PART NUMBER	DESCRIPTION	QUANTITY	NOTES
	1040357	AUX HEAD ASSEMBLY		
1	1033813	WELDMENT, AUX SHEAVE	1	
2	706A8816	ANTI TWO-BLOCK ASM, AUX SHEAVE	1	
3	1004432	ASSEMBLY, BOOM HEAD SHEAVE	1	
4	1025734	PIN, 3.00 DIA X 3.375 LEN	1	
5	1025735	BAR, PIN KEEPER	1	
6	HHCS-C500A008Z0	HEX HEAD CAP SCREW, 1/2-13 X 1 LEN, GR8, ZN	4	
7	WSH2-X5000008Z0	SAE WASHER, 1/2, GR8, ZN	4	
8	1025749	ROUND, WIRE ROPE KEEPER	1	
9	PIN2-X125B00YZ0	HAIRPIN, 1/8 DIA X 2 LEN, ZINC	4	
10	1025737	PIN, 1.5 DIA X 4.5 LEN	2	
11	PIN4-X250A37XZ0	LOCK PIN WITH ROUNDED RETAINER, 1/4 DIA X 1 3/8 LEN, ZINC	2	
12	1025738	ROUND, WIRE ROPE KEEPER	1	
13	MS07-C190500ZR0	MACHINE SCREW, 10-24 X 1/2 LEN, NF	4	

WHEN ORDERING PARTS, SPECIFY MODEL NUMBER, SERIAL NUMBER AND DESCRIPTION OF PARTS REQUIRED

NON - ILLUSTRATED PAGE

WHEN ORDERING PARTS, SPECIFY MODEL NUMBER, SERIAL NUMBER AND DESCRIPTION OF PARTS REQUIRED

COLD WEATHER OPTIONS

ITEM	PART NUMBER	DESCRIPTION	QUANTITY	NOTES
	1008824	COLD WEATHER OPTIONS		
1	1027221	HYD. IMMERSION HEATER, 120/240V	1	SEE PAGE 343

WHEN ORDERING PARTS, SPECIFY MODEL NUMBER, SERIAL NUMBER AND DESCRIPTION OF PARTS REQUIRED

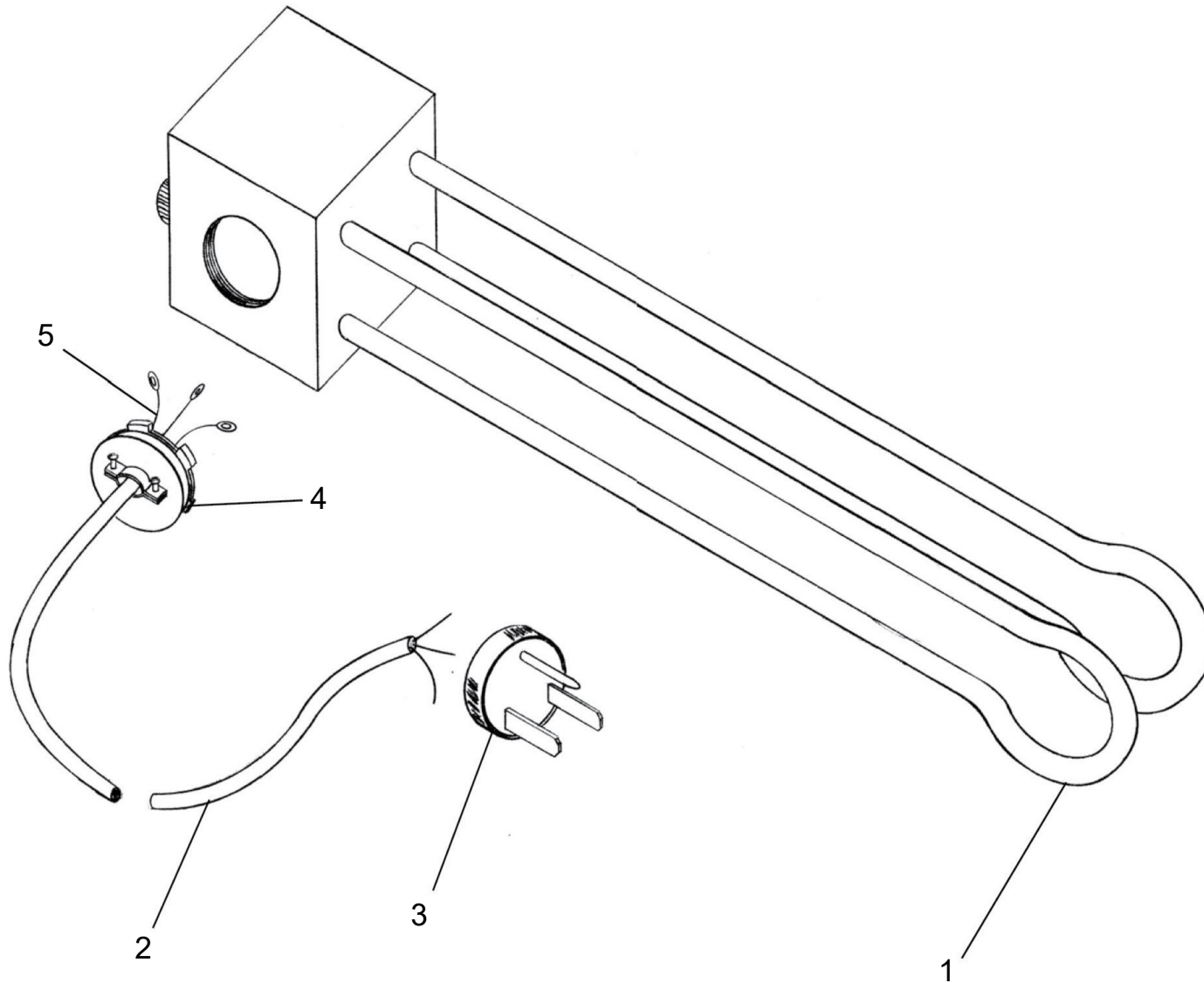
NON - ILLUSTRATED PAGE

WHEN ORDERING PARTS, SPECIFY MODEL NUMBER, SERIAL NUMBER AND DESCRIPTION OF PARTS REQUIRED

HYD. IMMERSION HEATER,120/240V

ITEM	PART NUMBER	DESCRIPTION	QUANTITY	NOTES
	1027221	HYD. IMMERSION HEATER,120/240V		
1	1223-1028	HEATER, IMMERSION	1	SEE PAGE 345

WHEN ORDERING PARTS, SPECIFY MODEL NUMBER, SERIAL NUMBER AND DESCRIPTION OF PARTS REQUIRED



WHEN ORDERING PARTS, SPECIFY MODEL NUMBER, SERIAL NUMBER AND DESCRIPTION OF PARTS REQUIRED

HEATER, IMMERSION

ITEM	PART NUMBER	DESCRIPTION	QUANTITY	NOTES
	1223-1028	HEATER, IMMERSION		
1	442-0316	IMMERSION HEATER	1	
2	12239-36	CORD, 12GA. 3 WIRE	1	
3	1223-478	PLUG	1	
4	1223-819	CONNECTOR	1	
5	1223-54	TERMINAL	3	

WHEN ORDERING PARTS, SPECIFY MODEL NUMBER, SERIAL NUMBER AND DESCRIPTION OF PARTS REQUIRED

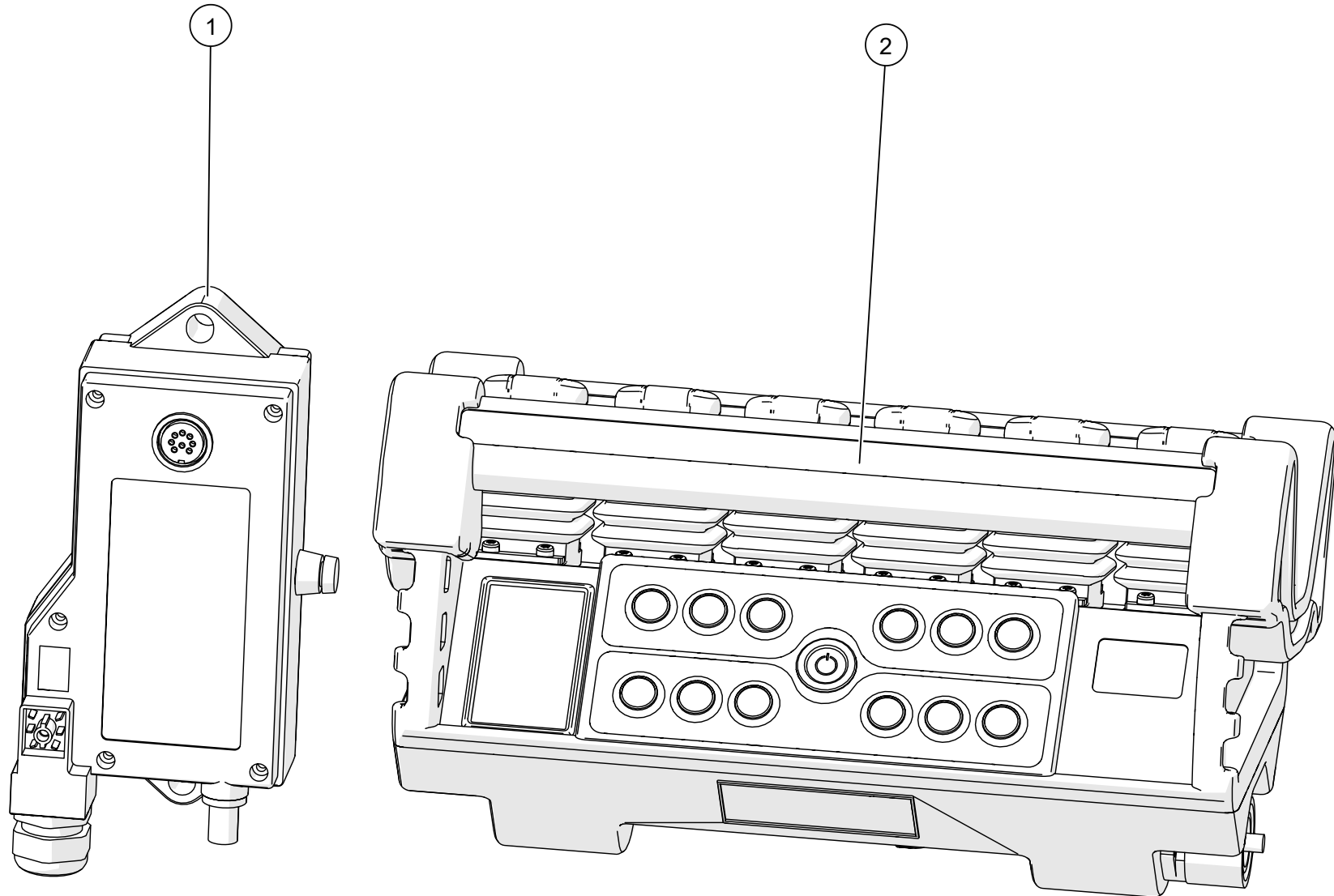
NON - ILLUSTRATED PAGE

WHEN ORDERING PARTS, SPECIFY MODEL NUMBER, SERIAL NUMBER AND DESCRIPTION OF PARTS REQUIRED

XO WIRELESS CONTROL OPTIONS

ITEM	PART NUMBER	DESCRIPTION	QUANTITY	NOTES
	1035213	XO WIRELESS CONTROL OPTIONS		
1	1025691	BELLY PACK ONLY	1	SEE PAGE 349
2	1039645	BELLY PACK FOR LUFFING JIB	1	SEE PAGE 351

WHEN ORDERING PARTS, SPECIFY MODEL NUMBER, SERIAL NUMBER AND DESCRIPTION OF PARTS REQUIRED



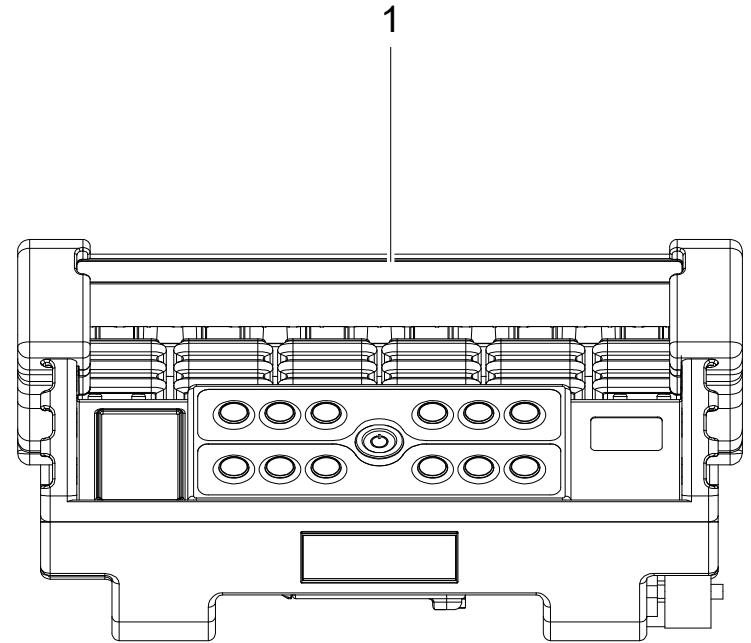
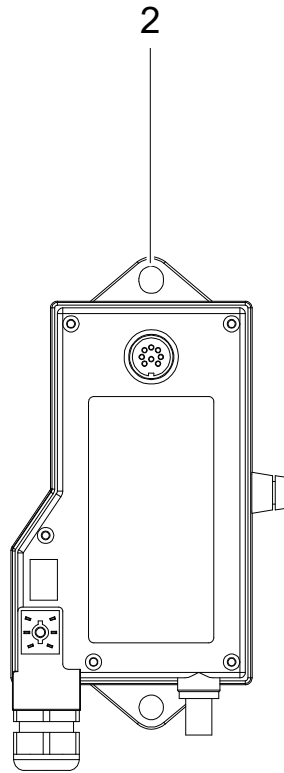
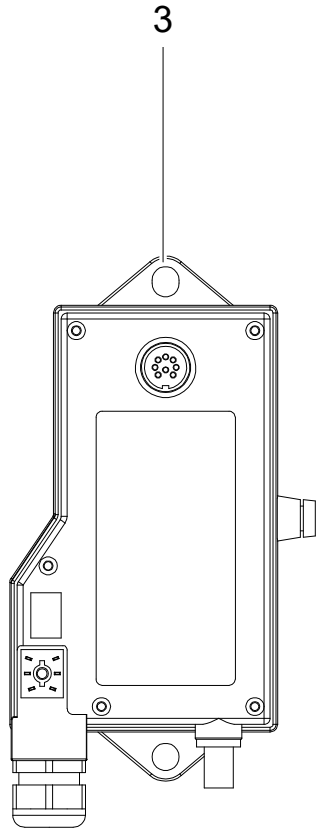
WHEN ORDERING PARTS, SPECIFY MODEL NUMBER, SERIAL NUMBER AND DESCRIPTION OF PARTS REQUIRED

BELLY PACK ONLY

ITEM	PART NUMBER	DESCRIPTION	QUANTITY	NOTES
	1025691	BELLY PACK ONLY		
1	1025393	NBB MB-R6 RECEIVER REPLACEMENT	1	
2	1025394	BELLY PACK	1	

WHEN ORDERING PARTS, SPECIFY MODEL NUMBER, SERIAL NUMBER AND DESCRIPTION OF PARTS REQUIRED

BELLY PACK FOR LUFFING JIB



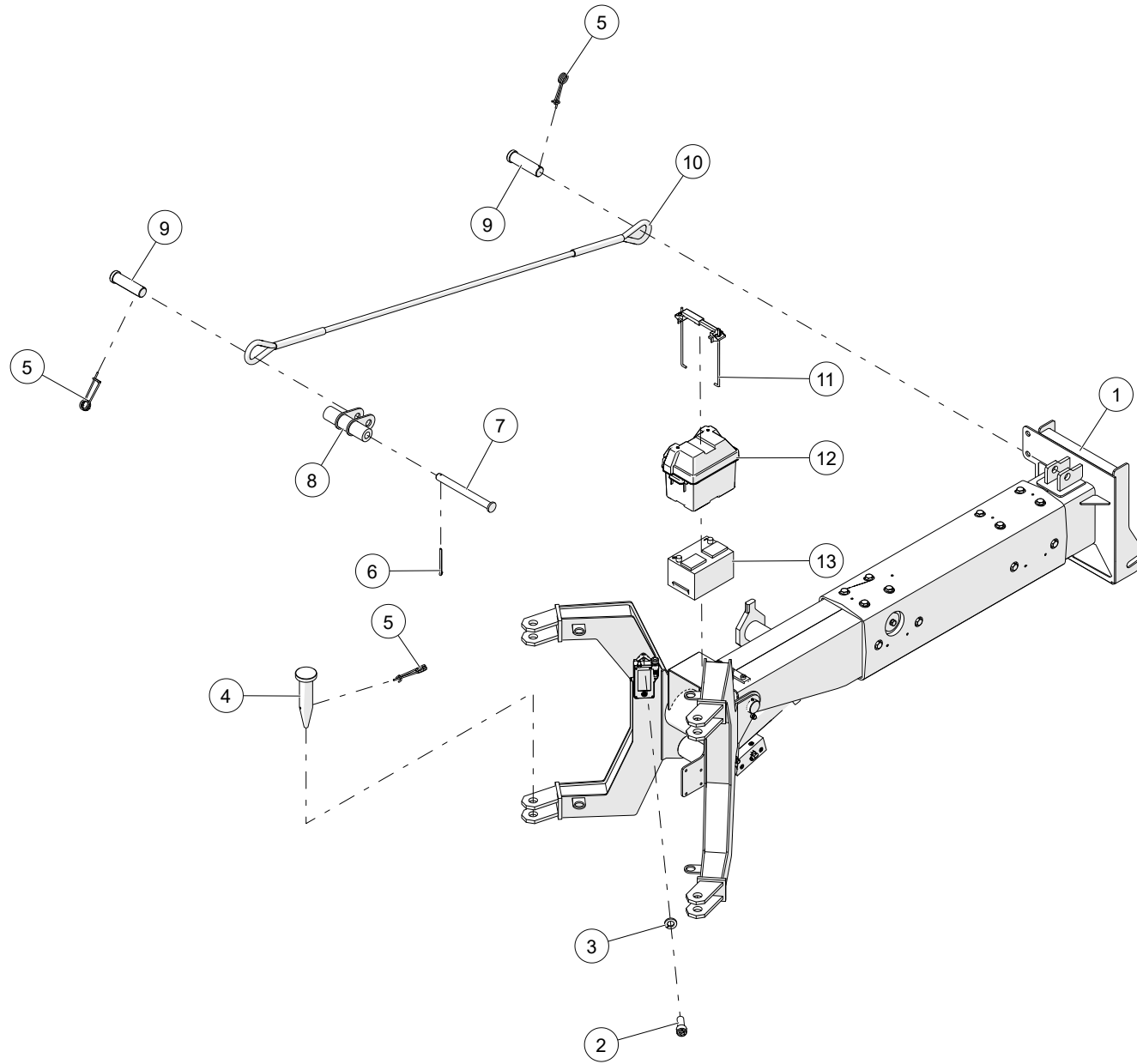
WHEN ORDERING PARTS, SPECIFY MODEL NUMBER, SERIAL NUMBER AND DESCRIPTION OF PARTS REQUIRED

BELLY PACK FOR LUFFING JIB

ITEM	PART NUMBER	DESCRIPTION	QUANTITY	NOTES
	1039645	BELLY PACK FOR LUFFING JIB		
1	1025394	BELLY PACK	1	
2	1025393	NBB MB-R6 RECEIVER	1	
3	1038639	NBB MB-R6 RECIEVER	1	

WHEN ORDERING PARTS, SPECIFY MODEL NUMBER, SERIAL NUMBER AND DESCRIPTION OF PARTS REQUIRED

PL 180 LUFFING JIB INSTALLATION

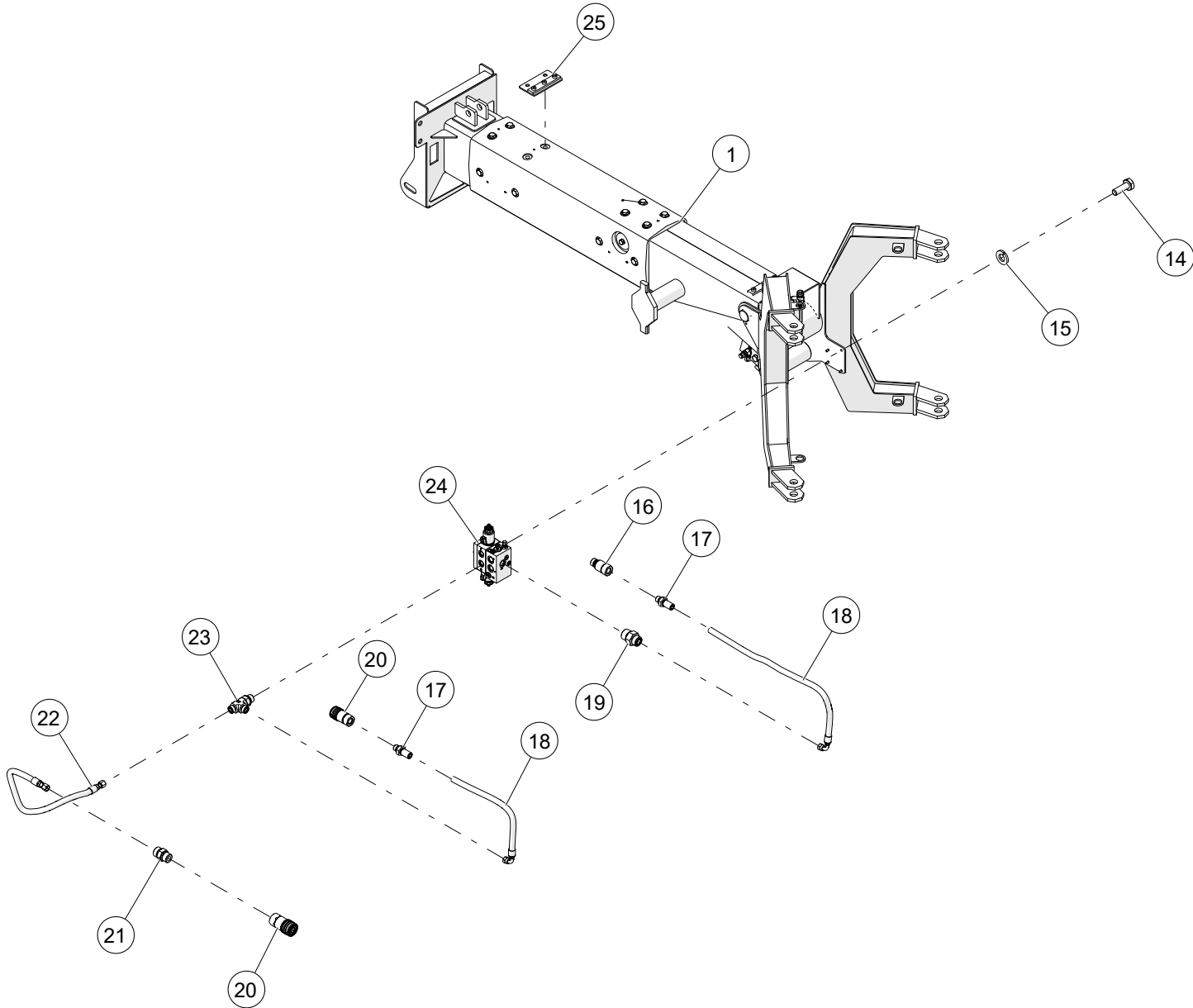


WHEN ORDERING PARTS, SPECIFY MODEL NUMBER, SERIAL NUMBER AND DESCRIPTION OF PARTS REQUIRED

PL 180 LUFFING JIB INSTALLATION

ITEM	PART NUMBER	DESCRIPTION	QUANTITY	NOTES
	1037994	PL 180 LUFFING JIB INSTALLATION		
1	1038125	LUFFING JIB ASSEMBLY	1	SEE PAGE 361
2	SHCS-C375A00AB0	SOCKET HEAD CAP SCREW, 3/8-16 X 1 LEN, BO	2	
3	WSH4-X3750008Z0	SPIRAL LOCK WASHER, 3/8, GR8, ZN	2	
4	1036680	ROUND, JIB PIN	4	
5	1026197	COILED BENT-WIRE LOCKING PIN	7	
6	PIN3-X188B50XZ0	COTTER PIN, 3/16 DIA X 2 1/2 LEN, ZINC	1	
7	1038147	PIN, CABLE RETENTION	1	
8	1038145	WELDMENT, CABLE SUPPORT	1	
9	PIN1-XA00C50XZ0	CLEVIS PIN, 1 DIA X 3 1/2 LEN, ZINC	2	
10	1038385	ROPE, 3/4"	1	
11	MP5-3783	ADJUSTABLE BATTERY HOLD DOWN	1	
12	1038991	BATTERY BOX GROUP SIZE U1	1	
13	1038678	BATTERY, 12V, U1 GROUP SIZE	1	

WHEN ORDERING PARTS, SPECIFY MODEL NUMBER, SERIAL NUMBER AND DESCRIPTION OF PARTS REQUIRED



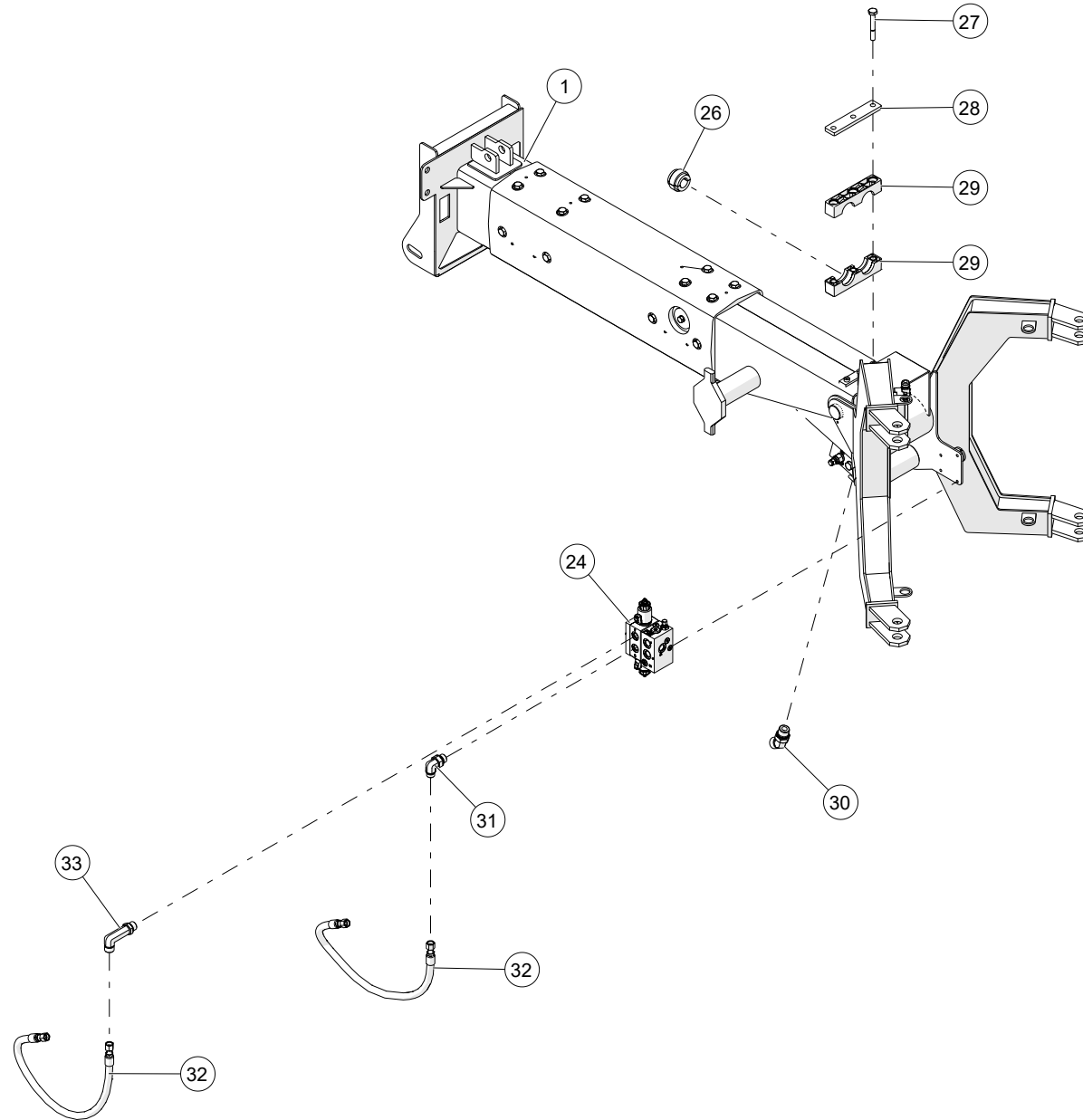
WHEN ORDERING PARTS, SPECIFY MODEL NUMBER, SERIAL NUMBER AND DESCRIPTION OF PARTS REQUIRED

PL 180 LUFFING JIB INSTALLATION

ITEM	PART NUMBER	DESCRIPTION	QUANTITY	NOTES
	1037994	PL 180 LUFFING JIB INSTALLATION		
14	HHCS-C2507508Z0	HEX HEAD CAP SCREW, 1/4-20 X 3/4 LEN, GR8, ZN	12	
15	WSH4-X2500008Z0	SPIRAL LOCK WASHER, 1/4, GR8, ZN	12	
16	1020491	QUICK DISCONNECT, NIPPLE -8 SAE 3000 PSI	2	
17	1037218	BULKHEAD -8 MOFS, -8 MORB	2	
18	1038633	HOSE, -8, 3000, 90FOFS-8SW / FOFS-8SW, 100,3TR7N-08	1	
19	1010078	ADAPTER, MOFS-8/MORB-10	2	
20	1020492	QUICK DISCONNECT, COUPLER -8 SAE 3000 PSI	2	
21	1010076	ADAPTER, MOFS-8/MORB-8	2	
22	1038632	HOSE, -8, 3500, FOFS-8SW / FOFS-8SW, 35, 3TR8N-08	1	
23	1018093	TEE, -8MOFS, -10MORB, -8 MOFS	1	
24	1036576	VALVE, LUFFING JIB CYLINDER	1	
25	1038661	WELDMENT, HOSE SUPPORT CLAMP	1	

WHEN ORDERING PARTS, SPECIFY MODEL NUMBER, SERIAL NUMBER AND DESCRIPTION OF PARTS REQUIRED

PL 180 LUFFING JIB INSTALLATION



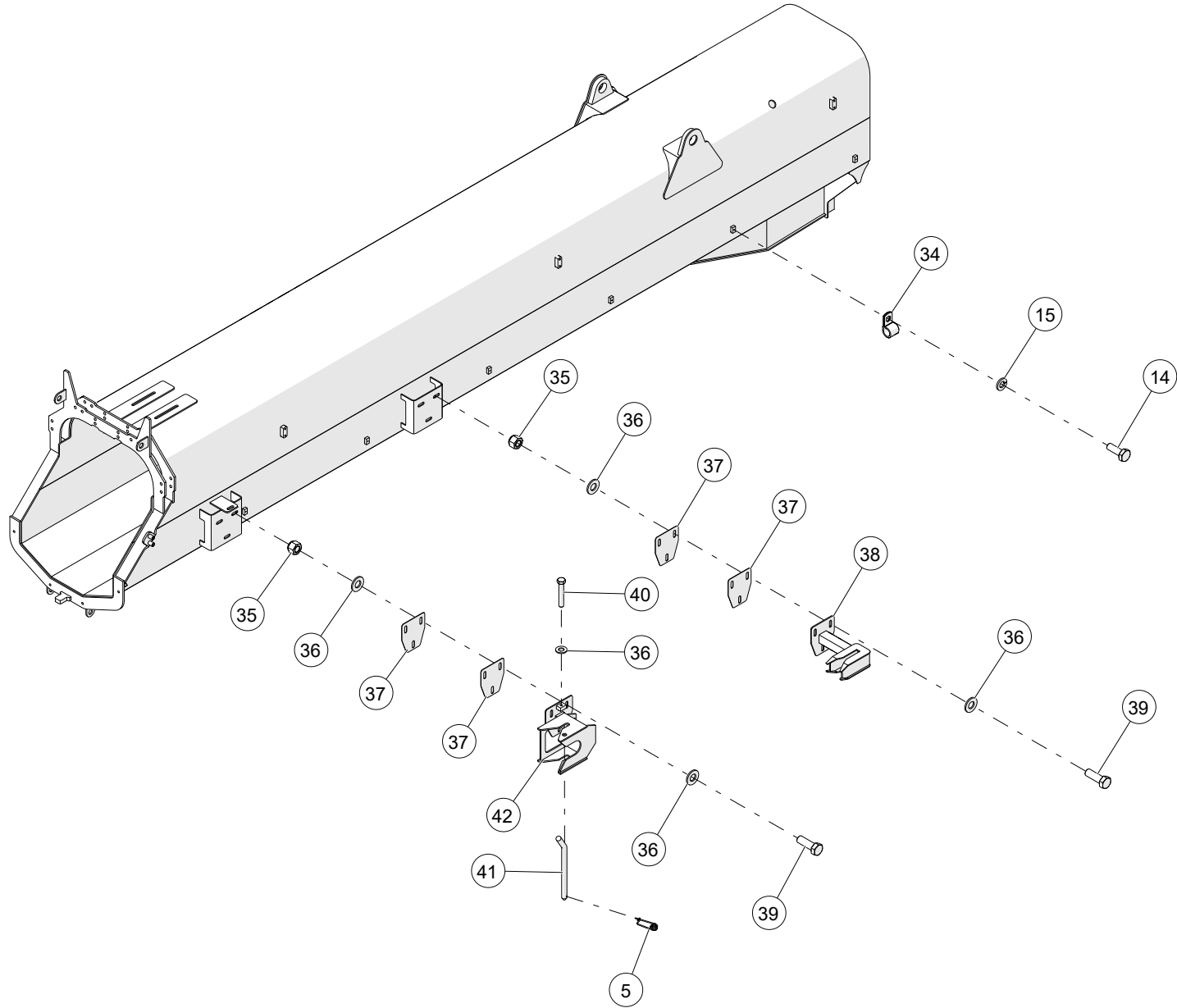
WHEN ORDERING PARTS, SPECIFY MODEL NUMBER, SERIAL NUMBER AND DESCRIPTION OF PARTS REQUIRED

PL 180 LUFFING JIB INSTALLATION

ITEM	PART NUMBER	DESCRIPTION	QUANTITY	NOTES
	1037994	PL 180 LUFFING JIB INSTALLATION		
26	1036463	INSERT, RI-22-6/5S	4	
27	1034059	STAUFF BOLT, AS-3/8-16UNCX2-3/4-AB-GR5-W3	6	
28	1036548	COVER PLATE, DPAD-5S-W3	2	
29	1036547	CLAMP, 5SD-PP-R-BK	4	
30	1016192	ELBOW,45,MOFS-8/MORB-8	2	
31	1014005	ELBOW, 90, MOFS-6/MORB-8	1	
32	1038983	HOSE, -8, 3550, FOFS-8SW/ FOFS-8SW, 35	1	
33	1014007	ELBOW, 90, MORB-8/MOFS-8	1	

WHEN ORDERING PARTS, SPECIFY MODEL NUMBER, SERIAL NUMBER AND DESCRIPTION OF PARTS REQUIRED

PL 180 LUFFING JIB INSTALLATION



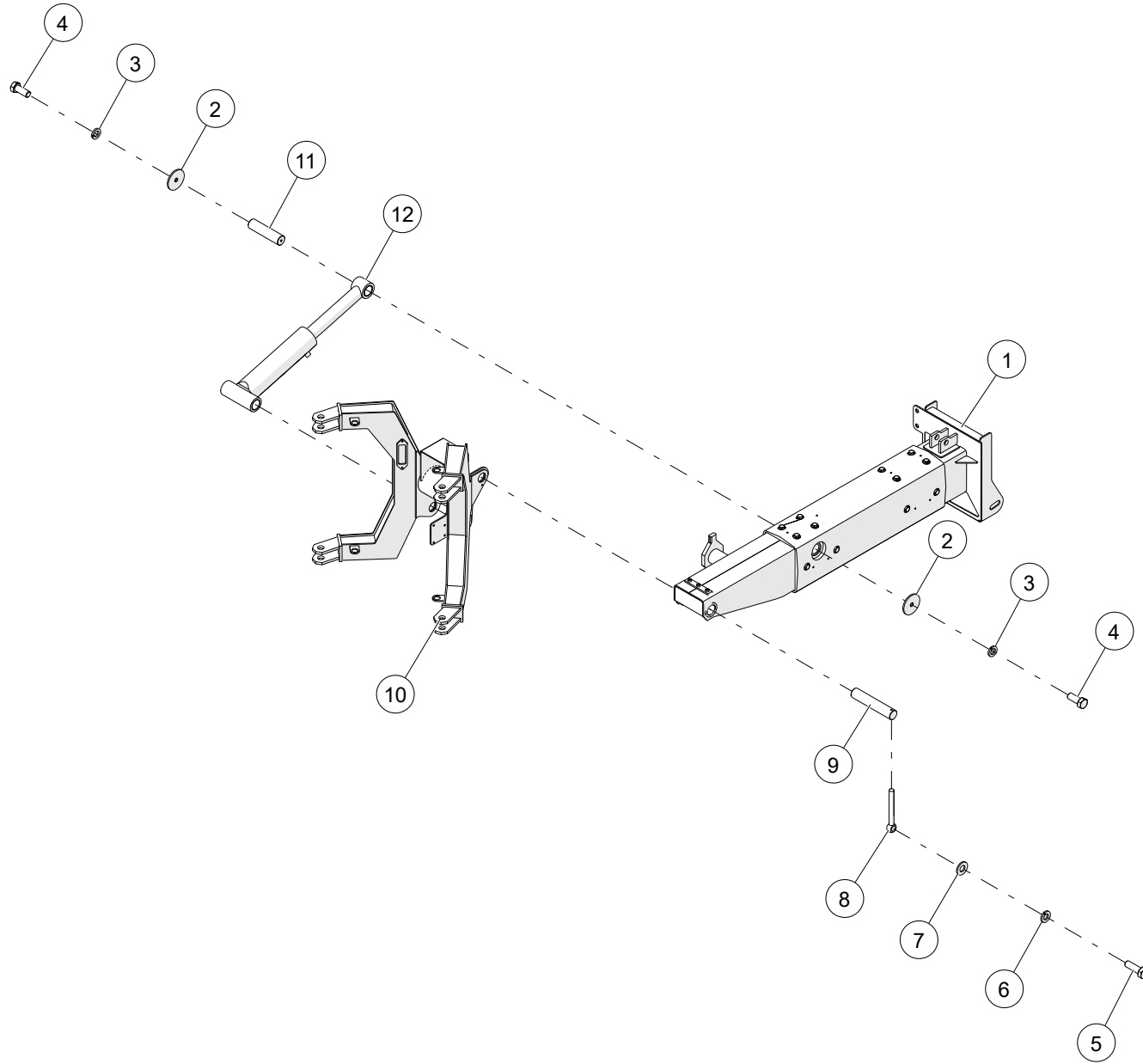
WHEN ORDERING PARTS, SPECIFY MODEL NUMBER, SERIAL NUMBER AND DESCRIPTION OF PARTS REQUIRED

PL 180 LUFFING JIB INSTALLATION

ITEM	PART NUMBER	DESCRIPTION	QUANTITY	NOTES
	1037994	PL 180 LUFFING JIB INSTALLATION		
34	1031232	P CLAMP	8	
35	NUT3-C5000008Z0	NYLON LOCK NUT, 1/2-13, GR8, ZN	6	
36	WSH2-X5000008Z0	SAE WASHER, 1/2, GR8, ZN	13	
37	1038398	SHIM	4	
38	1038141	WELDMENT, STOWAGE SUPPORT	1	
39	HHCS-C500A508Z0	HEX HEAD CAP SCREW, 1/2-13 X 1 1/2 LEN,GR8, ZN	6	
40	HHCS-C500C008Z1	HEX HEAD CAP SCREW, 1/2-13 X 3 LEN, GR8,ZN, FULL THREAD	1	
41	1038295	PIN	1	
42	1038133	WELDMENT, STOWAGE	1	

WHEN ORDERING PARTS, SPECIFY MODEL NUMBER, SERIAL NUMBER AND DESCRIPTION OF PARTS REQUIRED

LUFFING JIB ASSEMBLY



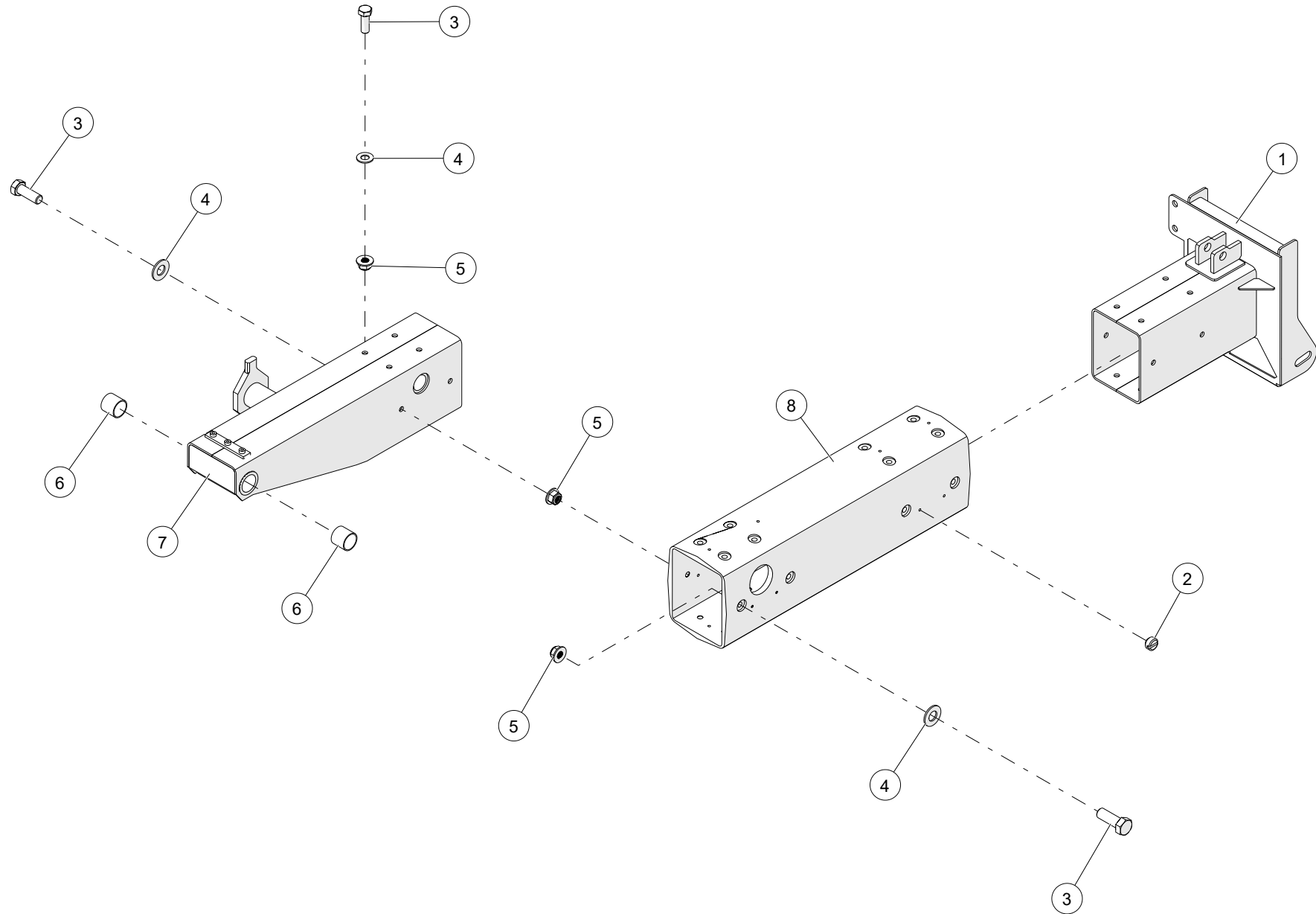
WHEN ORDERING PARTS, SPECIFY MODEL NUMBER, SERIAL NUMBER AND DESCRIPTION OF PARTS REQUIRED

LUFFING JIB ASSEMBLY

ITEM	PART NUMBER	DESCRIPTION	QUANTITY	NOTES
	1038125	LUFFING JIB ASSEMBLY		
1	1038098	LUFFING JIB ASSEMBLY	1	SEE PAGE 363
2	1038124	PLATE, PIVOT PIN WASHER	2	
3	WSH4-X5000008Z0	SPIRAL LOCK WASHER, 1/2, GR8, ZN	2	
4	HHCS-C500A258Z0	HEX HEAD CAP SCREW, 1/2-13 X 1 1/4 LEN, GR8, ZN	2	
5	HHCS-C313A008Z1	HEX HEAD CAP SCREW, 5/16-18 X 1 LEN, GR8, ZN, FULL THREAD	2	
6	WSH4-X3130008Z0	SPIRAL LOCK WASHER, 5/16, GR8, ZN	2	
7	WSH2-X3130008Z0	SAE WASHER, 5/16, GR8, ZN	2	
8	1032453	ROD END RAW	2	
9	1038121	PIN, PIVOT	2	
10	1037981	WELDMENT, LUFFING JIB	1	
11	1038123	PIN, PIVOT	1	
12	1038670	HYDRAULIC LUFFING JIB CYL.	1	

WHEN ORDERING PARTS, SPECIFY MODEL NUMBER, SERIAL NUMBER AND DESCRIPTION OF PARTS REQUIRED

LUFFING JIB ASSEMBLY

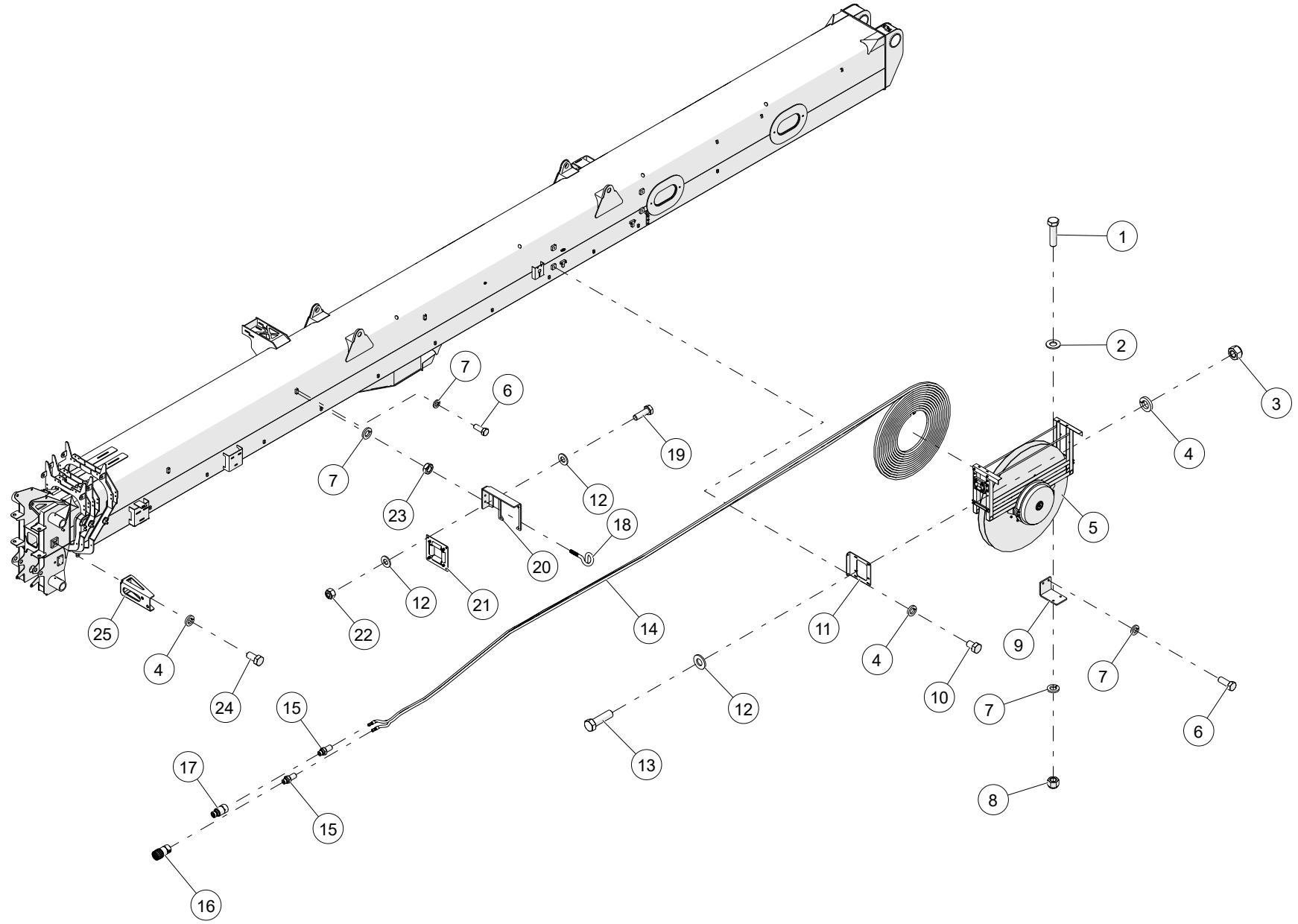


WHEN ORDERING PARTS, SPECIFY MODEL NUMBER, SERIAL NUMBER AND DESCRIPTION OF PARTS REQUIRED

LUFFING JIB ASSEMBLY

ITEM	PART NUMBER	DESCRIPTION	QUANTITY	NOTES
	1038098	LUFFING JIB ASSEMBLY		
1	1038376	WELDMENT, FRONT LUFFING JIB	1	
2	1039003	SCREW 3/18-16 SLOTTED SET SP	16	
3	HHCS-C625A758M1	HEX HEAD CAP SCREW, 5/8-11 X 1 3/4 LEN, GR8, MA, FULL THREAD	24	
4	WSH2-X6250008Z0	SAE WASHER, 5/8, GR8, ZN	24	
5	1038999	NYLON FLANGE LOCK NUT 5/8-11 UNC GR8	24	
6	1007827	BEARING, #2 SHEAVE	2	
7	1038374	WELDMENT, REAR LUFFING JIB	1	
8	1038120	FIBERGLASS TUBE	1	

WHEN ORDERING PARTS, SPECIFY MODEL NUMBER, SERIAL NUMBER AND DESCRIPTION OF PARTS REQUIRED

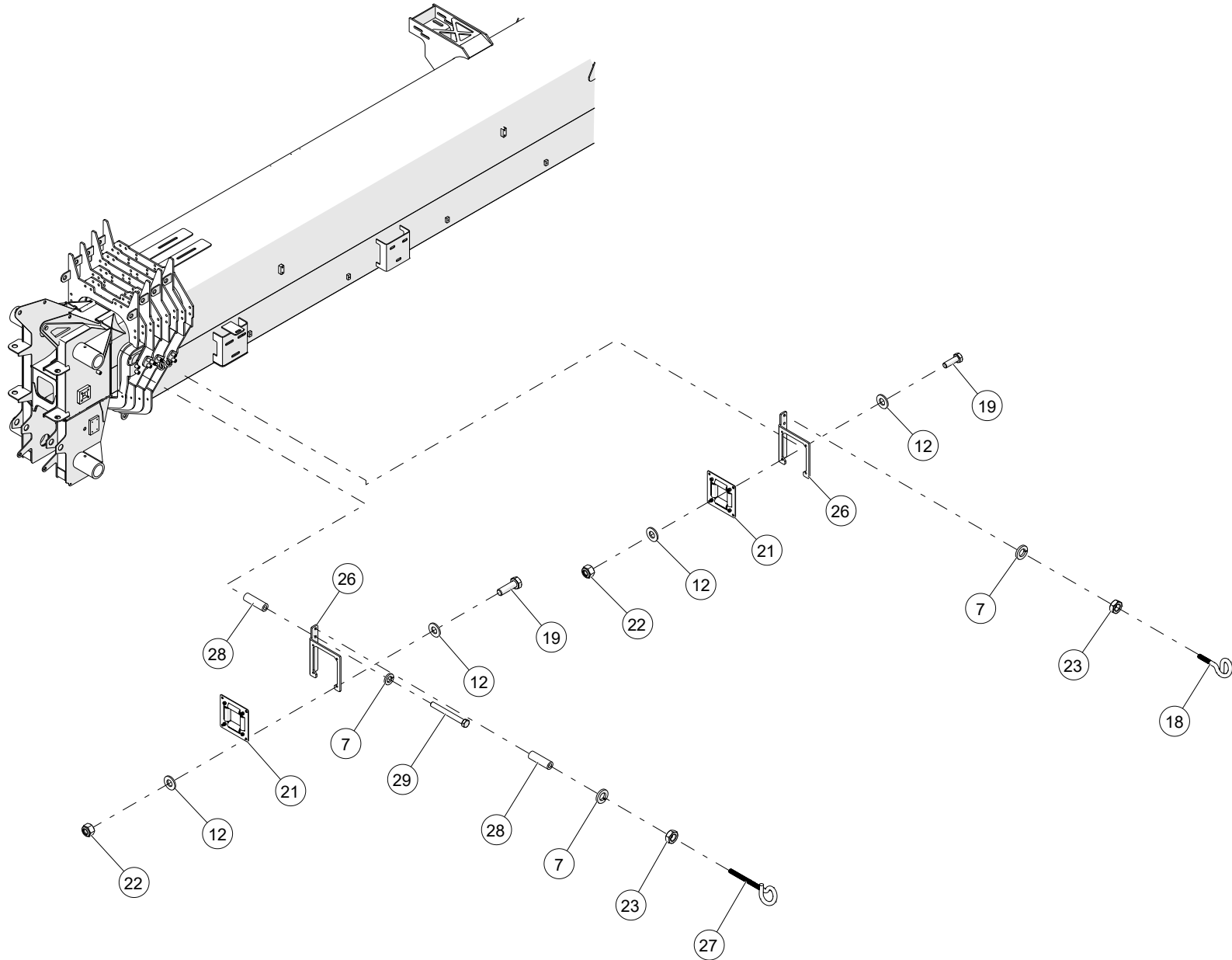


WHEN ORDERING PARTS, SPECIFY MODEL NUMBER, SERIAL NUMBER AND DESCRIPTION OF PARTS REQUIRED

PL 180 TOOL CIRCUIT ASSEMBLY

ITEM	PART NUMBER	DESCRIPTION	QUANTITY	NOTES
	1036027	PL 180 TOOL CIRCUIT ASSEMBLY		
1	HHCS-C375A508Z0	HEX HEAD CAP SCREW, 3/8-16 X 1 1/2 LEN, GR8, ZN	2	
2	WSH2-X3750008Z0	SAE WASHER, 3/8, GR8, ZN	2	
3	NUT3-C4380008Z0	NYLON LOCK NUT, 7/16-14, GR8, ZN	4	
4	WSH5-X5000002Z0	SPIRAL LOCK WASHER, 1/2, GR2, ZN	12	
5	1036166	TOOL CIRCUIT DUPLEX HOSE REEL	1	
6	HHCS-C375A008Z0	HEX HEAD CAP SCREW, 3/8-16 X 1 LEN, GR8, ZN	11	
7	WSH4-X3750008Z0	SPIRAL LOCK WASHER, 3/8, GR8, ZN	22	
8	NUT3-C3750008Z0	NYLON LOCK NUT, 3/8-16, GR8, ZN	2	
9	1036178	PLATE, L BRACKET TOOL REEL	2	
10	HHCS-C5007508Z0	HEX HEAD CAP SCREW, 1/2-13 X 3/4 LEN, GR8, ZN	4	
11	1036710	PLATE, L BRACKET TOOL REEL	2	
12	WSH2-X3130008Z0	SAE WASHER, 5/16, GR8, ZN	57	
13	HHCS-C438A508Z0	HEX HEAD CAP SCREW, 7/16-14 X 1 1/2 LEN, GR8, ZN	4	
14	1038563	HOSE, -8, 3550, FJIC-8SW / FORF-8SW, 1860, 3TR8N TWIN	1	
15	1037218	BULKHEAD -8 MOFS, -8 MORB	2	
16	1020492	QUICK DISCONNECT, COUPLER -8 SAE 3625 PSI	1	
17	1020491	QUICK DISCONNECT, NIPPLE -8 SAE 3625 PSI	1	
18	1004652	LMI CABLE GUIDE	5	
19	HHCS-C313A008Z1	HEX HEAD CAP SCREW, 5/16-18 X 1 LEN, GR8, ZN, FULL THREAD	28	
20	1036181	PLATE, L BRACKET	3	
21	1036913	FAIRLEAD, DUPLEX HOSE ROLLER	7	
22	NUT3-C3130008Z0	NYLON LOCK NUT, 5/16-18, GR8, ZN	27	
23	NUT2-C3750008Z0	HEX JAM NUT, 3/8-16, GR8, ZN	7	
24	HHCS-C500A008Z0	HEX HEAD CAP SCREW, 1/2-13 X 1 LEN, GR8, ZN	4	
25	1036156	PLATE, BRACKET FOR -8 BULKHEAD	1	

WHEN ORDERING PARTS, SPECIFY MODEL NUMBER, SERIAL NUMBER AND DESCRIPTION OF PARTS REQUIRED

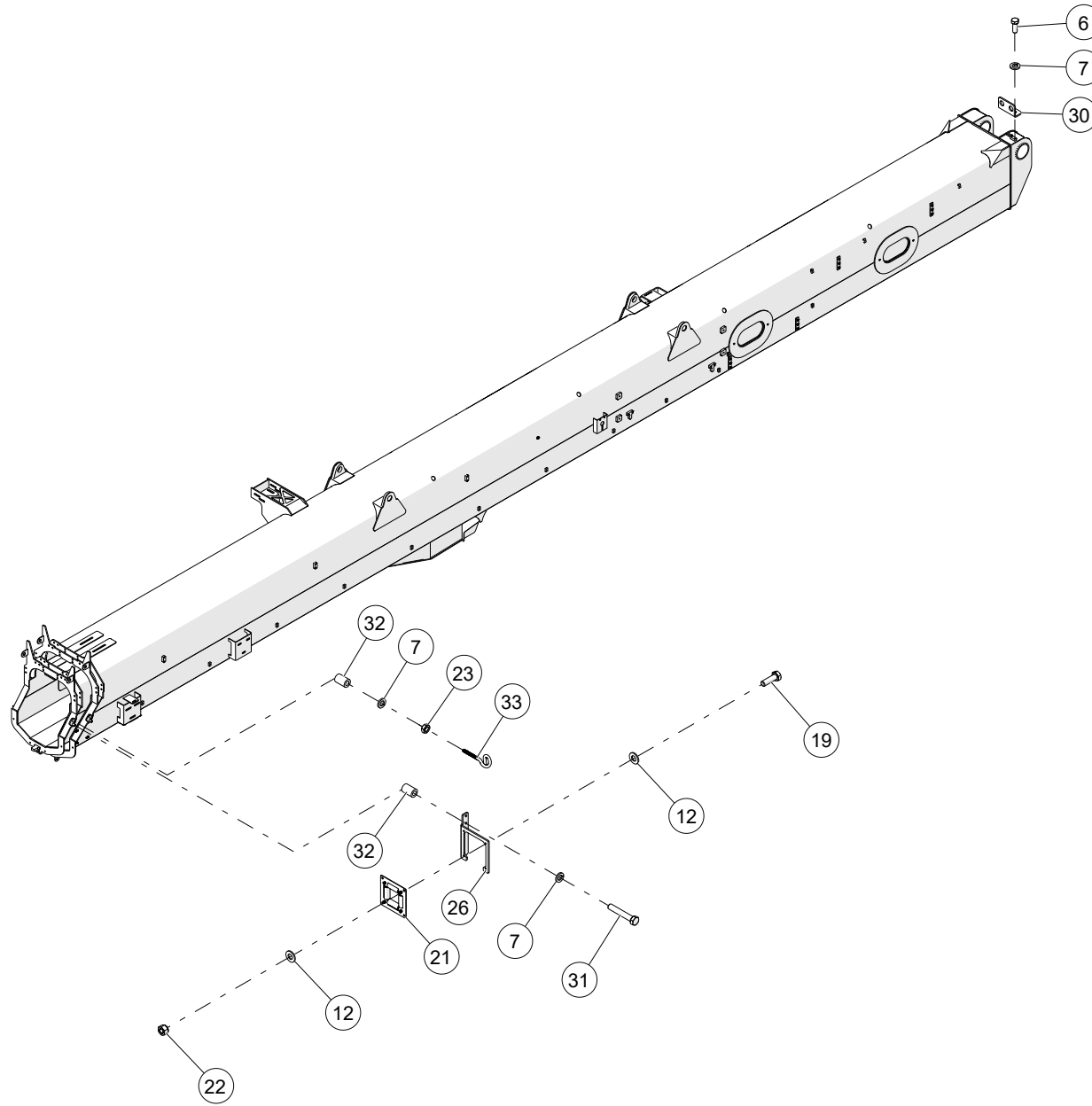


WHEN ORDERING PARTS, SPECIFY MODEL NUMBER, SERIAL NUMBER AND DESCRIPTION OF PARTS REQUIRED

PL 180 TOOL CIRCUIT ASSEMBLY

ITEM	PART NUMBER	DESCRIPTION	QUANTITY	NOTES
	1036027	PL 180 TOOL CIRCUIT ASSEMBLY		
26	1036162	PLATE, FAIRLEAD REEL BRACKET	4	
27	1036705	LMI CABLE GUIDE- MEDIUM	1	
28	1036887	SPACER, UHMW TUBE .4062 ID .75 OD	2	
29	HHCS-C375C508Z0	HEX HEAD CAP SCREW, 3/8-16 X 3 1/2 LEN, GR8, ZN	1	

WHEN ORDERING PARTS, SPECIFY MODEL NUMBER, SERIAL NUMBER AND DESCRIPTION OF PARTS REQUIRED

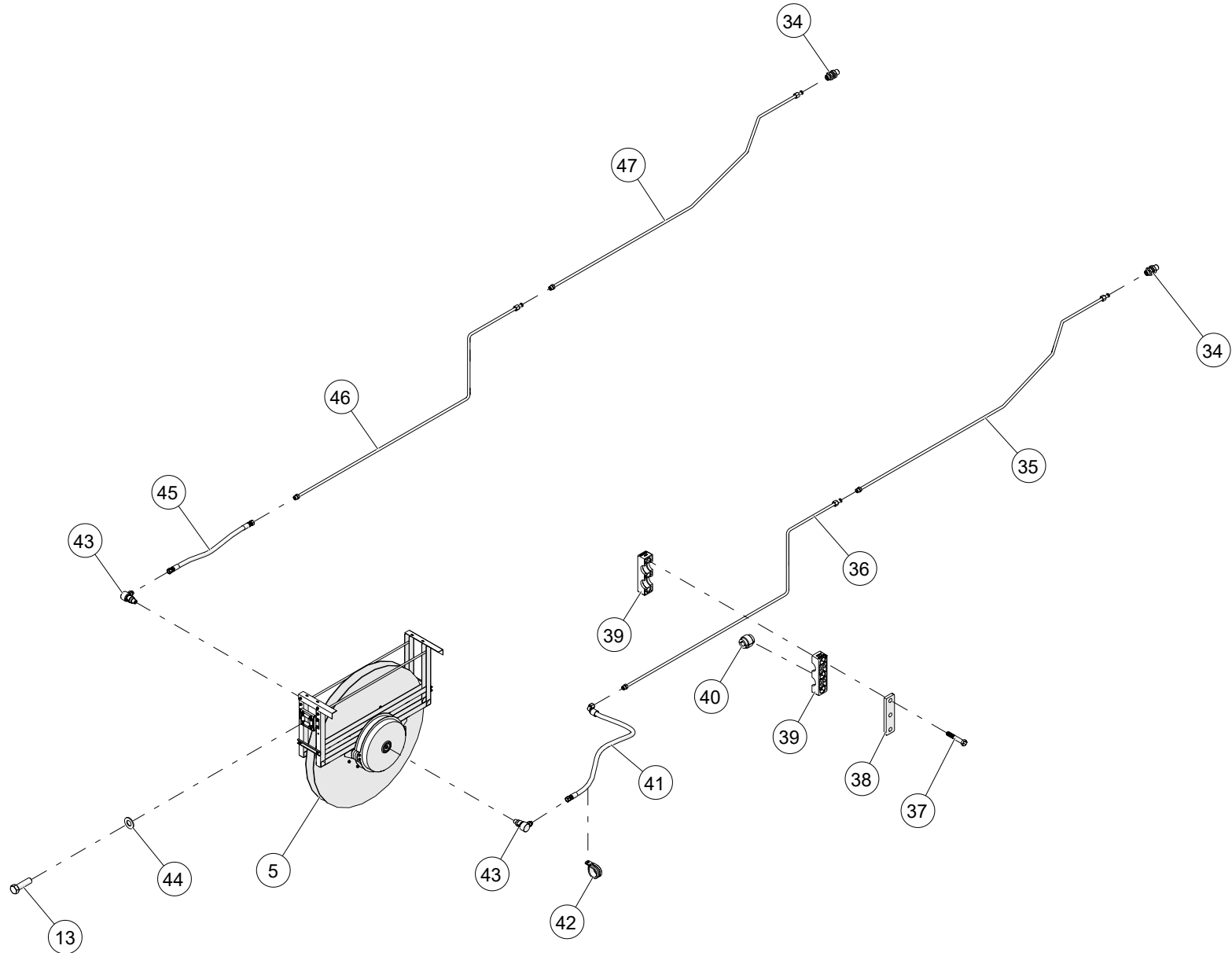


WHEN ORDERING PARTS, SPECIFY MODEL NUMBER, SERIAL NUMBER AND DESCRIPTION OF PARTS REQUIRED

PL 180 TOOL CIRCUIT ASSEMBLY

ITEM	PART NUMBER	DESCRIPTION	QUANTITY	NOTES
	1036027	PL 180 TOOL CIRCUIT ASSEMBLY		
30	1036190	PLATE, -8 BULKHEAD BRACKET	1	
31	HHCS-C375B258Z0	HEX HEAD CAP SCREW, 3/8-16 X 2 1/4 LEN, GR8, ZN	1	
32	1036883	UHMW TUBE .4375 ID .75 OD	2	
33	1036704	LMI CABLE GUIDE SHORT	1	

WHEN ORDERING PARTS, SPECIFY MODEL NUMBER, SERIAL NUMBER AND DESCRIPTION OF PARTS REQUIRED

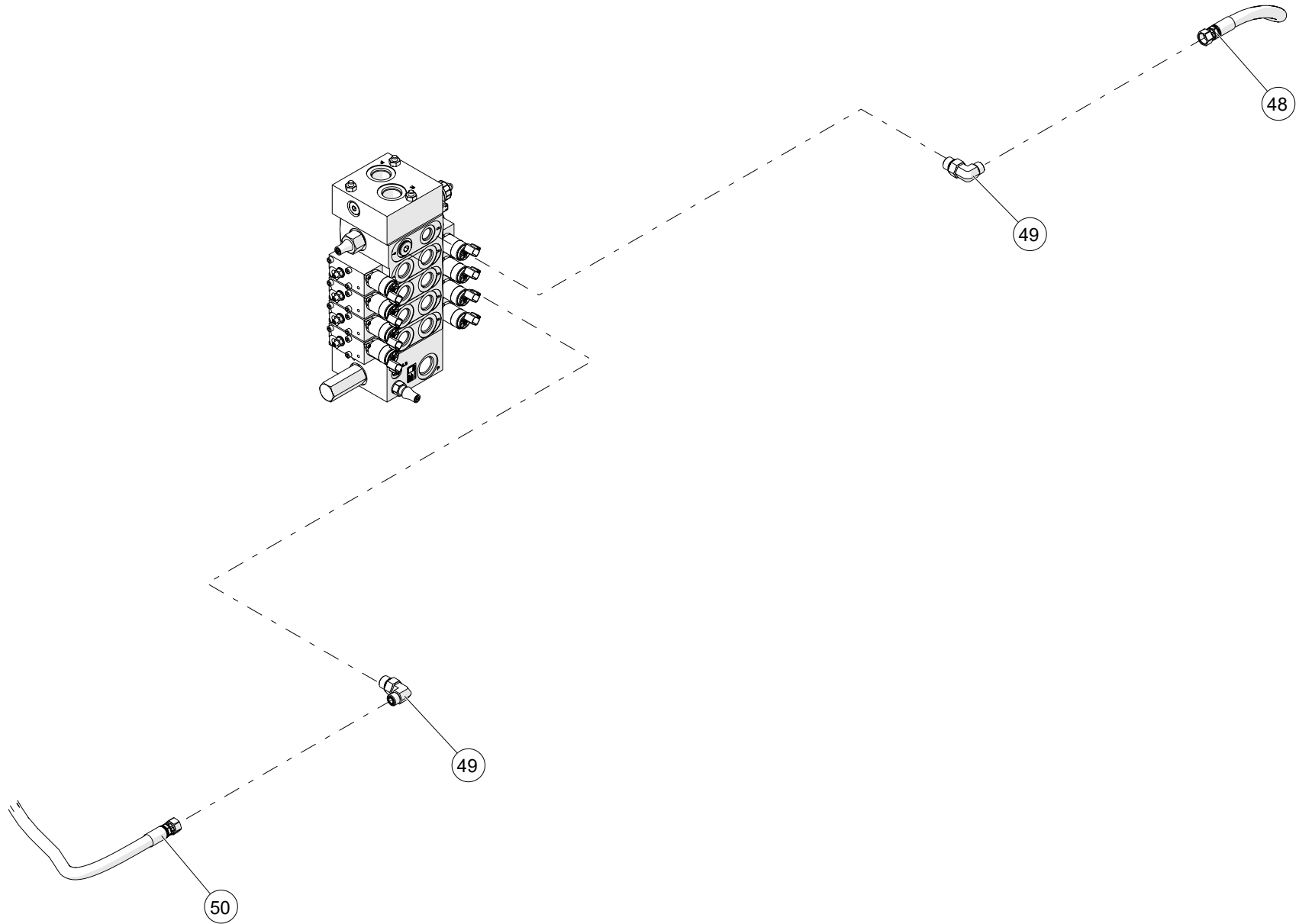


WHEN ORDERING PARTS, SPECIFY MODEL NUMBER, SERIAL NUMBER AND DESCRIPTION OF PARTS REQUIRED

PL 180 TOOL CIRCUIT ASSEMBLY

ITEM	PART NUMBER	DESCRIPTION	QUANTITY	NOTES
	1036027	PL 180 TOOL CIRCUIT ASSEMBLY		
34	1037353	BULKHEAD ADAPTER, #8 MORFS X #8 MORFS	2	
35	1041097	TUBE, -8, 3000, MOFS-8/FOFS-8	1	
36	1041091	TUBE, -8, 3000, FOFS-8/ MOFS-8	1	
37	1036213	STAUFF BOLT, AS-3/8-16UNCX2-1/4-AB-GR5-W3	12	
38	1036211	COVER PLATE, DPAD-4S-W3	4	
39	1036209	CLAMP, 4SD-PP-R	8	
40	1036451	INSERT, RI-12.7-4/4S	8	
41	1036635	HOSE, -8, 3000, 90 FOFS-8SW/ FOFS-8SW, 40	1	
42	3225T8	1" P-CLAMP	1	
43	1036989	SWIVEL, -8, 5000, -8MNPT, -8MOFS	2	
44	WSH2-X4380008Z0	SAE WASHER, 7/16, GR8, ZN	3	
45	1036881	HOSE, -8,3000,FOFS-8SW/FOFS-8SW,30	1	
46	1041089	TUBE, -8, 3000, FOFS-8/ MOFS-8	1	
47	1041100	TUBE, -8, 3000, MOFS-8/FOFS-8	1	

WHEN ORDERING PARTS, SPECIFY MODEL NUMBER, SERIAL NUMBER AND DESCRIPTION OF PARTS REQUIRED

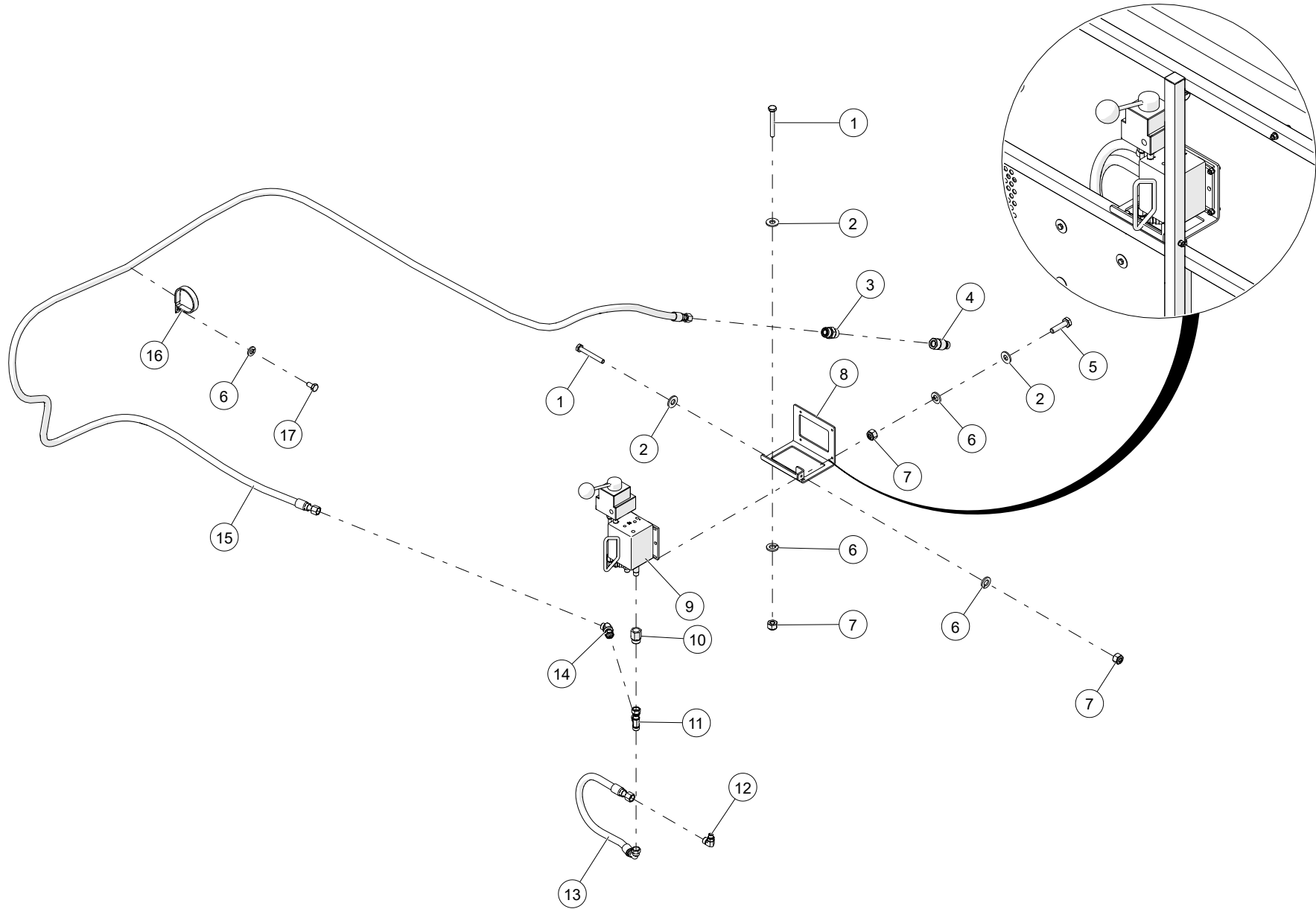


WHEN ORDERING PARTS, SPECIFY MODEL NUMBER, SERIAL NUMBER AND DESCRIPTION OF PARTS REQUIRED

PL 180 TOOL CIRCUIT ASSEMBLY

ITEM	PART NUMBER	DESCRIPTION	QUANTITY	NOTES
	1036027	PL 180 TOOL CIRCUIT ASSEMBLY		
48	1036200	HOSE, -8 3000, FOFS-8SW / FOFS-8SW, 128"	1	
49	1037354	90 ADAPTER #8 MORFS X #10 MORB	2	
50	1036192	HOSE, -8 3000, FOFS-8SW / FOFS-8SW, 110	1	

WHEN ORDERING PARTS, SPECIFY MODEL NUMBER, SERIAL NUMBER AND DESCRIPTION OF PARTS REQUIRED

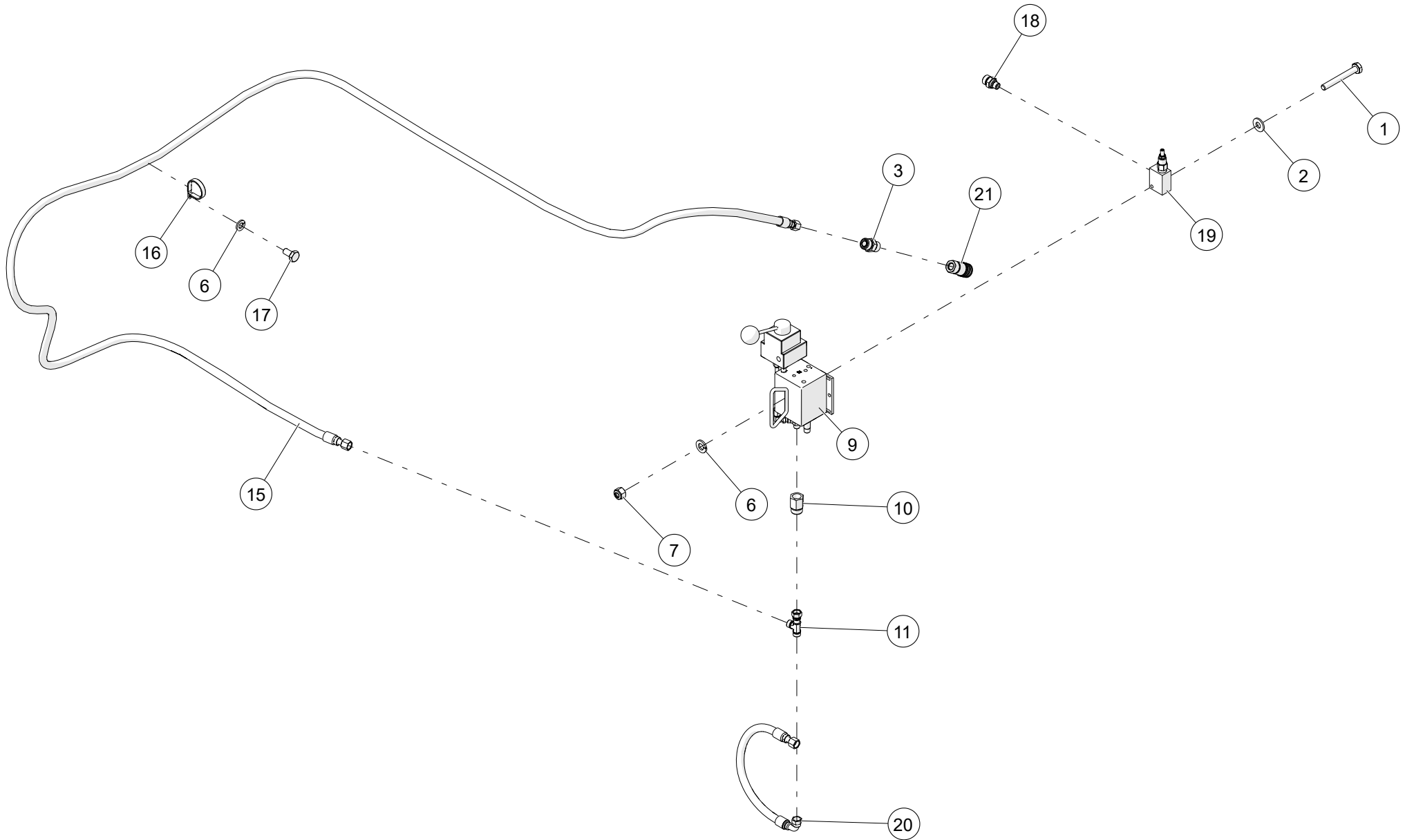


WHEN ORDERING PARTS, SPECIFY MODEL NUMBER, SERIAL NUMBER AND DESCRIPTION OF PARTS REQUIRED

PL 180 INTENSIFIER

ITEM	PART NUMBER	DESCRIPTION	QUANTITY	NOTES
	1037043	PL 180 INTENSIFIER		
1	HHCS-C250B008Z0	HEX HEAD CAP SCREW, 1/4-20 X 2 LEN, GR8, ZN	4	
2	WSH2-X2500008Z0	SAE WASHER, 1/4, GR8, ZN	7	
3	1010076	ADAPTER, MOFS-8/MORB-8	2	
4	1020491	QUICK DISCONNECT, NIPPLE -8 SAE 3000 PSI	1	
5	HHCS-C250A008Z0	HEX HEAD CAP SCREW, 1/4-20 X 1 LEN, GR8, ZN	3	
6	WSH4-X2500008Z0	SPIRAL LOCK WASHER, 1/4, GR8, ZN	13	
7	NUT3-C2500008Z0	NYLON LOCK NUT, 1/4-20, GR8, ZN	7	
8	1036656	PLATE, BRACKET, INTENSIFIER	1	
9	1036575	INTENSIFIER, MAN BASKET W/ D.A. CONTROL VALVE	1	
10	1010530	ADAPTER, MOFS-8, FNPT-6	2	
11	1018019	TEE, MOFS-8, FOFS-8SW, MOFS-8	2	
12	1014006	ELBOW, 90, MOFS-8/MORB-6	1	
13	1038693	HOSE, -8, 3000, FOFS-8SW / 90FOFS-8SW, 26.25,	1	
14	1016117	ELBOW, 45, MOFS-8/FOFS-8SW	1	
15	1036660	HOSE, -8, 3000, FOFS-8SW / FOFS-8SW, 190, 3TR8N TWIN	1	
16	1000665	P-CLAMP, 2" HOSE VINYL COATED ZP	7	
17	HHCS-C2505008Z0	HEX HEAD CAP SCREW, 1/4-20 X 1/2 LEN, GR8, ZN	6	
18	1010075	ADAPTER, MOFS-8/MORB-6	1	
19	1036578	VALVE, RELIEF 2200 PSI	1	
20	1038691	HOSE, -8, 3000, FOFS-8SW / 90FOFS-8SW, 19.5, 3TR8N	1	
21	1020492	QUICK DISCONNECT, COUPLER -8 SAE 3000 PSI	1	

WHEN ORDERING PARTS, SPECIFY MODEL NUMBER, SERIAL NUMBER AND DESCRIPTION OF PARTS REQUIRED



WHEN ORDERING PARTS, SPECIFY MODEL NUMBER, SERIAL NUMBER AND DESCRIPTION OF PARTS REQUIRED

PL 180 INTENSIFIER

ITEM	PART NUMBER	DESCRIPTION	QUANTITY	NOTES
	1037043	PL 180 INTENSIFIER		
1	HHCS-C250B008Z0	HEX HEAD CAP SCREW, 1/4-20 X 2 LEN, GR8, ZN	4	
2	WSH2-X2500008Z0	SAE WASHER, 1/4, GR8, ZN	7	
3	1010076	ADAPTER, MOFS-8/MORB-8	2	
4	1020491	QUICK DISCONNECT, NIPPLE -8 SAE 3000 PSI	1	
5	HHCS-C250A008Z0	HEX HEAD CAP SCREW, 1/4-20 X 1 LEN, GR8, ZN	3	
6	WSH4-X2500008Z0	SPIRAL LOCK WASHER, 1/4, GR8, ZN	13	
7	NUT3-C2500008Z0	NYLON LOCK NUT, 1/4-20, GR8, ZN	7	
8	1036656	PLATE, BRACKET, INTENSIFIER	1	
9	1036575	INTENSIFIER, MAN BASKET W/ D.A. CONTROL VALVE	1	
10	1010530	ADAPTER, MOFS-8, FNPT-6	2	
11	1018019	TEE, MOFS-8, FOFS-8SW, MOFS-8	2	
12	1014006	ELBOW, 90, MOFS-8/MORB-6	1	
13	1038693	HOSE, -8, 3000, FOFS-8SW / 90FOFS-8SW, 26.25,	1	
14	1016117	ELBOW, 45, MOFS-8/FOFS-8SW	1	
15	1036660	HOSE, -8, 3000, FOFS-8SW / FOFS-8SW, 190, 3TR8N TWIN	1	
16	1000665	P-CLAMP, 2" HOSE VINYL COATED ZP	7	
17	HHCS-C2505008Z0	HEX HEAD CAP SCREW, 1/4-20 X 1/2 LEN, GR8, ZN	6	
18	1010075	ADAPTER, MOFS-8/MORB-6	1	
19	1036578	VALVE, RELIEF 2200 PSI	1	
20	1038691	HOSE, -8, 3000, FOFS-8SW / 90FOFS-8SW, 19.5, 3TR8N	1	
21	1020492	QUICK DISCONNECT, COUPLER -8 SAE 3000 PSI	1	

WHEN ORDERING PARTS, SPECIFY MODEL NUMBER, SERIAL NUMBER AND DESCRIPTION OF PARTS REQUIRED

CHAPTER NO. 4
PAINT & MARKING

PAGE INTENTIONALLY LEFT BLANK

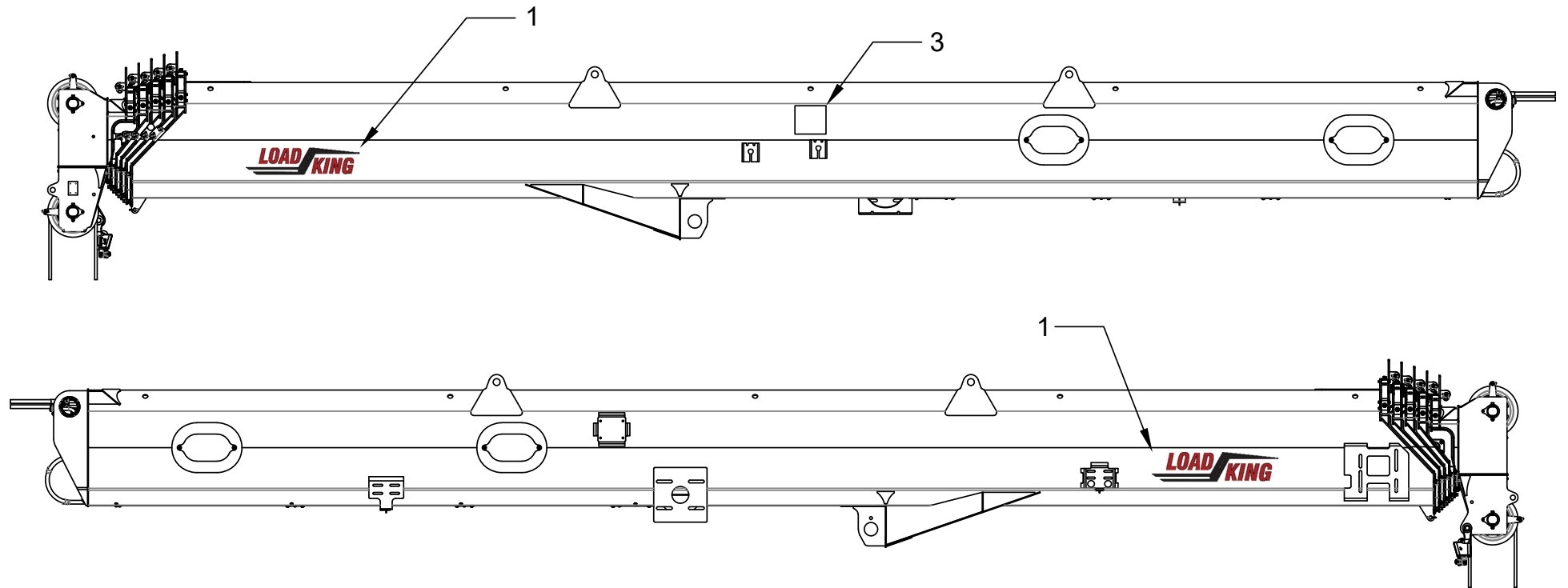
NON - ILLUSTRATED PAGE

WHEN ORDERING PARTS, SPECIFY MODEL NUMBER, SERIAL NUMBER AND DESCRIPTION OF PARTS REQUIRED

PL 180 MARKING OPTIONS

ITEM	PART NUMBER	DESCRIPTION	QUANTITY	NOTES
	1035231	PL 180 MARKING OPTIONS		
1	1034216	PL 180 BOOM DECAL KIT	1	SEE PAGE 383
2	1041111	PL 180 CAB DECAL KIT	1	SEE PAGE 385
3	1041350	PL 180 SUPER STRUCTURE DECAL KIT	1	SEE PAGE 389
4	T133983	PAINT AND MARKING CROSSOVER 4500L	1	

WHEN ORDERING PARTS, SPECIFY MODEL NUMBER, SERIAL NUMBER AND DESCRIPTION OF PARTS REQUIRED

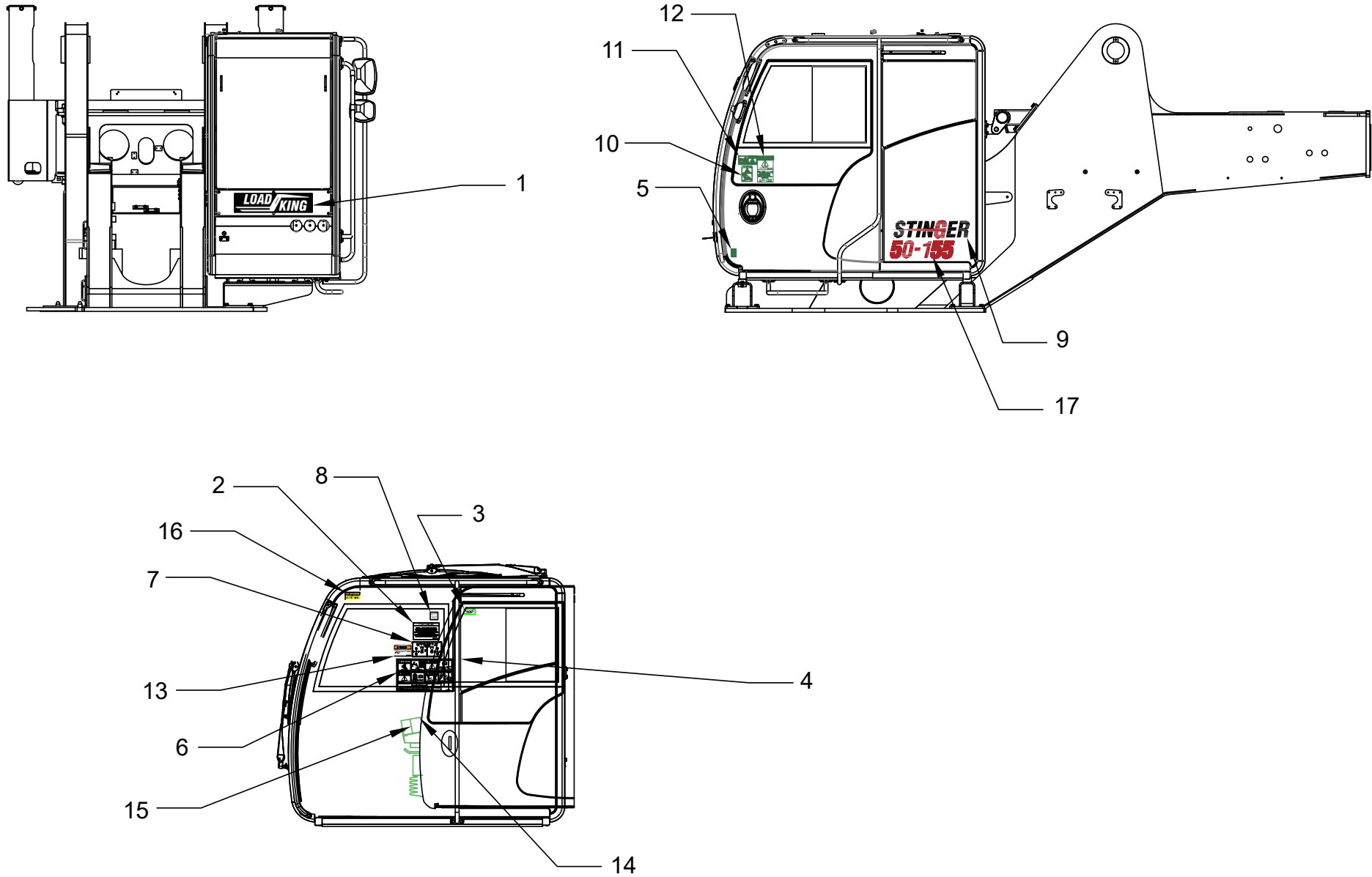


WHEN ORDERING PARTS, SPECIFY MODEL NUMBER, SERIAL NUMBER AND DESCRIPTION OF PARTS REQUIRED

PL 180 BOOM DECAL KIT

ITEM	PART NUMBER	DESCRIPTION	QUANTITY	NOTES
	1034216	PL 180 BOOM DECAL KIT		
1	1006866	DECAL, BOOM HEAD STRIPE	1	
2*	1026340	34 INCH TWO TONE LOAD KING DECAL	2	
3	1006843	BOOM ANGLE DECAL	1	
4*	1035002	DECAL, PL 180 JIB RETAINING PIN	1	
	NOTE:	*NOT SHOW IN THE ILLUSTRATION		

WHEN ORDERING PARTS, SPECIFY MODEL NUMBER, SERIAL NUMBER AND DESCRIPTION OF PARTS REQUIRED



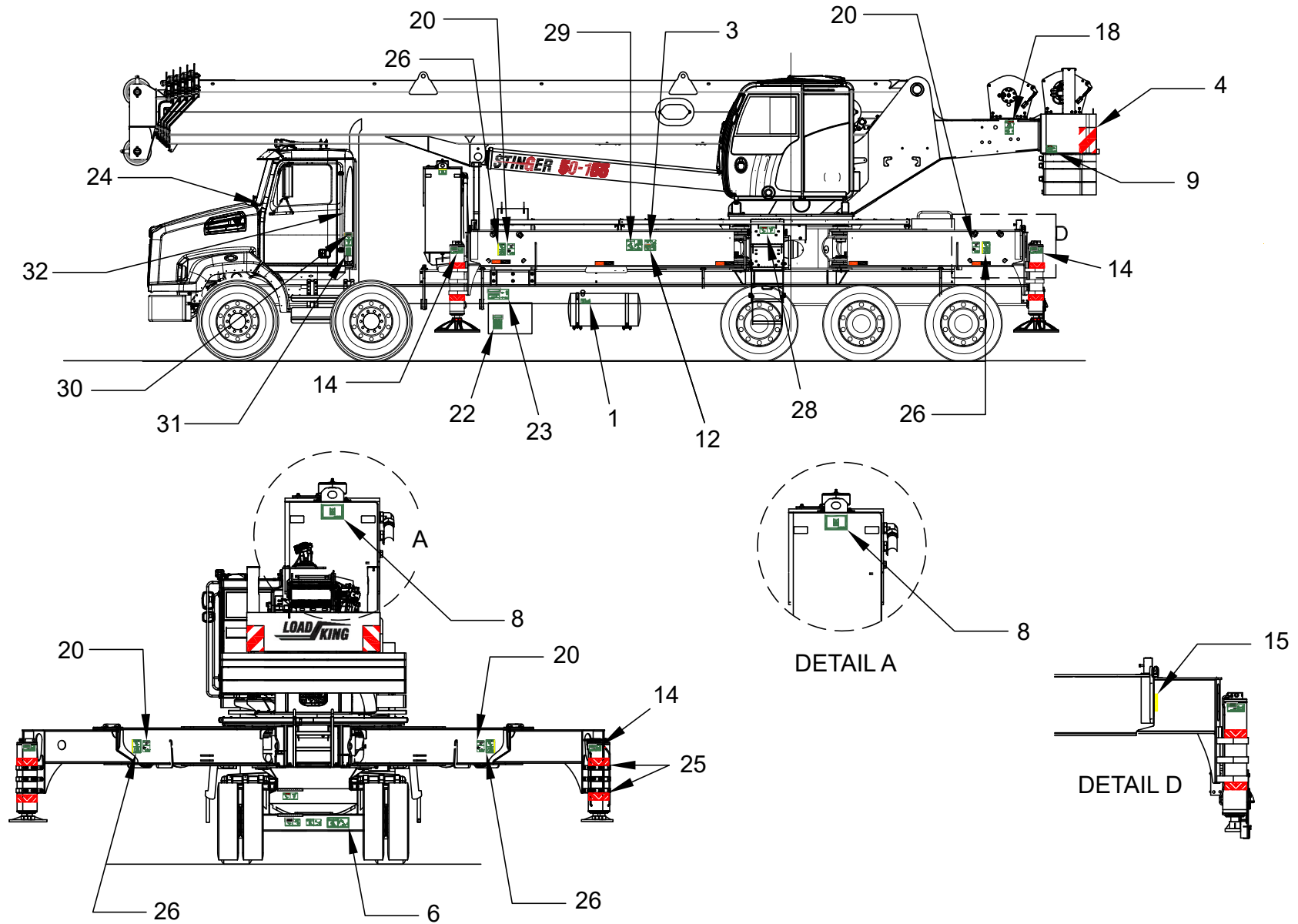
WHEN ORDERING PARTS, SPECIFY MODEL NUMBER, SERIAL NUMBER AND DESCRIPTION OF PARTS REQUIRED

PL 180 CAB DECAL KIT

ITEM	PART NUMBER	DESCRIPTION	QUANTITY	NOTES
	1041111	PL 180 CAB DECAL KIT		
1	1008729	4 WHITE KING LOGO	1	
2	1006858	DECAL, PRODUCT REGISTRATION	1	
3	12260-843	DECAL, OPER. MANUAL	1	
4	T116286	DECAL, SEAT ARM	1	
5	12400-1003	DECAL FIRE EXTINGUISHER	1	
6	12400-1513	DECAL, WINDOW	1	
7	1035001	DECAL, JOY STICK CONTROLS	1	
8	CTOS-CIC	DECAL, PRODUCT SUPPORT	1	
9	1006824	STINGER DECAL	1	
10	T140864	DECAL, SEAT ARM, CLEAR BACKGROUND	1	
11	T140942	DECAL PERSONNEL LIFT	1	
12	1006845	NO RIDE IN UPPER CAB DECAL	1	
13	109049	DECAL BACK STABILITY	1	
14	T122870	DECAL, LEFTHAND ARMREST	1	
15	T144774	DECAL, SEAT ARM	1	
16	1006856	DECAL, WINDOW LATCH	1	
17	1041113	PL 180 DECAL	1	

WHEN ORDERING PARTS, SPECIFY MODEL NUMBER, SERIAL NUMBER AND DESCRIPTION OF PARTS REQUIRED

PL 180 SUPER STRUCTURE DECAL KIT



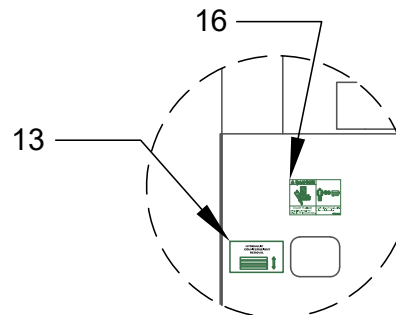
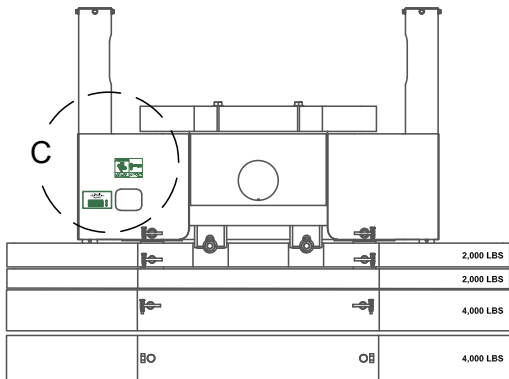
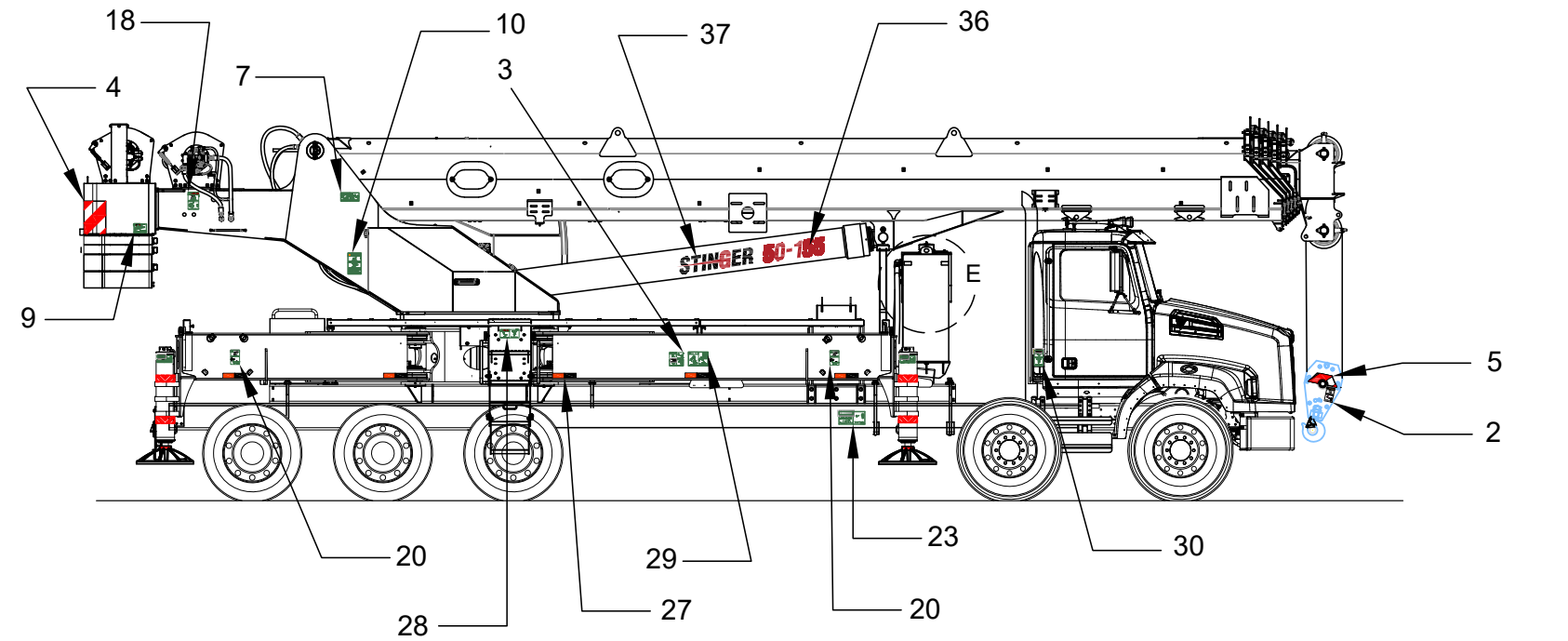
WHEN ORDERING PARTS, SPECIFY MODEL NUMBER, SERIAL NUMBER AND DESCRIPTION OF PARTS REQUIRED

PL 180 SUPER STRUCTURE DECAL KIT

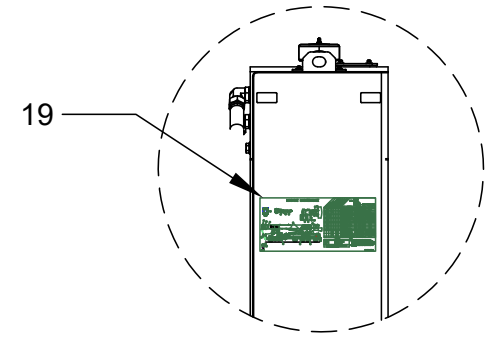
ITEM	PART NUMBER	DESCRIPTION	QUANTITY	NOTES
	1041350	PL 180 SUPER STRUCTURE DECAL KIT		
1	12400-1508	DECAL, DIESEL EXPLOSION/BURN	1	
2	T140607	DECAL, CRUSH HAZARD, STAY CLEAR LOAD	2	
3	T139673	DECAL, CRUSH HAZARD, STAY CLEAR LOAD (HORZ)	4	
4	1006863	DECAL, STRIPE	2	
5	1006865	DECAL, HOOK BLOCK	2	
6	T106560	DECAL, ELECTROCUTION HAZ PERSON	2	
7	651-00425	DECAL-BM/TURRET CRUSH HAZARD	1	
8	652-00073	DECAL HYDRAULIC OIL	2	
9	12400-1505	DECAL, TAILSWING	2	
10	12400-1503	DECAL, SKIN INJECTION HAZARD	1	
11	12400-981	DECAL, HYD. OIL LEVEL	1	
12	651-00415	NO RIDE BOOM/JIB/LOAD	4	
13	T134640	DECAL, C'WT LOWER	1	
14	12400-1514	DECAL, O/R CRUSH HAZARD	6	
15	714-0494-1	STRIPE, YELLOW	4	
16	1006842	DECAL-CTWT CRUSHING	1	
17	1008685	DECAL, FLAG	1	
18	651-00424	LOADLINE CRUSH HAZARD WINCH	2	

WHEN ORDERING PARTS, SPECIFY MODEL NUMBER, SERIAL NUMBER AND DESCRIPTION OF PARTS REQUIRED

PL 180 SUPER STRUCTURE DECAL KIT



DETAIL C



DETAIL E

WHEN ORDERING PARTS, SPECIFY MODEL NUMBER, SERIAL NUMBER AND DESCRIPTION OF PARTS REQUIRED

PL 180 SUPER STRUCTURE DECAL KIT

ITEM	PART NUMBER	DESCRIPTION	QUANTITY	NOTES
	1041350	PL 180 SUPER STRUCTURE DECAL KIT		
19	1041115	PL 180 MAINTENANCE CHART DECAL	1	
20	T118961	DECAL, OUTRIGGER CRUSH-SWING	10	
21	1006862	CRANE HAND SIGNALS	1	
22	651-00473	DECAL, BATTERY DANGER	1	
23	1006841	DECAL, ENTANGLEMENT	2	
24	1006861	DECAL, BM EXT, AVOID DAM	1	
25	1006831	DECAL, JACK CYLINDER STRIPE	8	
26	1006834	DECAL, FALL HAZARD OUTRIGGER	8	
27	T137414	DECAL, CONSPICUTY	10	
28	12400-1516	DECAL, FALL HAZARD	4	
29	12400-1512	DECAL, ELECTROCUTION	2	
30	T141898	DECAL, FALL HAZARD	2	
31	12400-1003	DECAL FIRE EXTINGUISHER	1	
32	1008750	FINAL VEHICLE INSPECTION	1	
33	T105685	DECAL, HOOK BLOCK	2	
34	1040436	DRAIN PLUG ALIGNMENT	2	
35	1040536	PTO LUBE POINT DECAL	2	
36	1041114	PL 180 LIFT CYLINDER DECAL	2	
37	1009092	STINGER DECAL LIFT CYLINDER	2	

WHEN ORDERING PARTS, SPECIFY MODEL NUMBER, SERIAL NUMBER AND DESCRIPTION OF PARTS REQUIRED

CHAPTER NO. 5
MANUALS

PAGE INTENTIONALLY LEFT BLANK



WHEN ORDERING PARTS, SPECIFY MODEL NUMBER, SERIAL NUMBER AND DESCRIPTION OF PARTS REQUIRED

PL 180 MANUAL PACKS OPTIONS

ITEM	PART NUMBER	DESCRIPTION	QUANTITY	NOTES
PL 180 MANUAL PACKS OPTIONS				
1	C1046283	STINGER PL 180 MANUAL PACK, ENGLISH	1	SEE PAGE 396
2	C1046287	STINGER PL 180 MANUAL PACK, SPANISH	1	SEE PAGE 396
3	C1046290	STINGER PL 180 MANUAL PACK, FRENCH	1	SEE PAGE 396

WHEN ORDERING PARTS, SPECIFY MODEL NUMBER, SERIAL NUMBER AND DESCRIPTION OF PARTS REQUIRED

NON - ILLUSTRATED PAGE

WHEN ORDERING PARTS, SPECIFY MODEL NUMBER, SERIAL NUMBER AND DESCRIPTION OF PARTS REQUIRED

PL 180 MANUAL PACKS, EN-SP-FR

ITEM	PART NUMBER	DESCRIPTION	QUANTITY	NOTES
	C1046283	STINGER PL 180 MANUAL PACK, ENGLISH		
1	C1046284	PL 180 FLASHDRIVE- OPERATOR'S, PARTS, SHOP & SCHEMATICS, ENGLISH	1	
2	C1046285	STINGER PL 180 PARTS MANUAL	1	
3	C1046286	STINGER PL 180 OPERATOR'S MANUAL, ENGLISH	1	
	C1046287	STINGER PL 180 MANUAL PACK, SPANISH		
1	C1046288	PL 180 FLASHDRIVE- OPERATOR'S, PARTS, SHOP & SCHEMATICS, SPANISH	1	
2	C1046285	STINGER PL 180 PARTS MANUAL	1	
3	C1046289	STINGER PL 180 OPERATOR'S MANUAL, SPANISH	1	
	C1046290	STINGER PL 180 MANUAL PACK, FRENCH		
1	C1046291	PL 180 FLASHDRIVE- OPERATOR'S, PARTS, SHOP & SCHEMATICS, FRENCH	1	
2	C1046285	STINGER PL 180 PARTS MANUAL	1	
3	C1046292	STINGER PL 180 OPERATOR'S MANUAL, FRENCH	1	

WHEN ORDERING PARTS, SPECIFY MODEL NUMBER, SERIAL NUMBER AND DESCRIPTION OF PARTS REQUIRED

CHAPTER NO. 6

RECOMMENDED SPARE PARTS

PAGE INTENTIONALLY LEFT BLANK

RECOMMENDED SPARE PARTS

S.No.	Part no.	Description	Qty	Page
1	12400-1513	DECAL, WINDOW	1	22, 386
2	T135614-3360	SEAL, BULB	1	26
3	T135614-3845	SEAL, BULB	1	26
4	T120451	LIGHT, RED MODE	1	50
5	T120449	LIGHT, AMBER MODE	1	50
6	T120450	LIGHT, GREEN MODE	1	50
7	T106055	CABLE TIE, STUD MOUNT, 1/4-20	17	50, 158
8	T111783	LIGHT, FRONT	3	50, 324, 326
9	1004346	WEAR PAD ASM, FRONT UPPER LARGE	2	60
10	1004349	WEAR PAD ASM, FRONT UPPER SMALL	4	60
11	1004340	WEAR PAD, FRONT LOWER THICK	70	60
12	1004339	WEAR PAD, FRONT LOWER THIN	34	60
13	1032544	WEAR PAD ASM, FRONT UPPER SMALL	2	60
14	1004820	SHIM, WEAR PAD	4	64
15	1004809	SHIM, WEAR PAD	24	64
16	1004808	WEAR PAD, REAR LOWER	10	64
17	1004336	WEAR PAD, REAR UPPER SMALL	4	64
18	1004337	WEAR PAD, REAR UPPER LARGE	4	64
19	1004384	SHIM, WEAR PAD	2	66
20	1004385	SHIM, WEAR PAD	2	68
21	1041492	WEAR, TELE ROPES	4	70
22	1032414	WEAR PAD, CYLINDER HEAD SUPPORT	1	72
23	1004345	WEAR PAD, CYLINDER HEAD SUPPORT REAR	1	72
24	1004344	WEAR PAD, CYLINDER HEAD SUPPORT FRONT	1	72
25	1036226	WEAR, ANTI ROTATION	1	74
26	1036341	WEAR PAD	2	78
27	1036281	SHIM 1/8	6	78
28	1036280	SHIM, 1/16"	4	78
29	1036338	FRONT SIDE WEAR PAD	2	78

WHEN ORDERING PARTS, SPECIFY MODEL NUMBER, SERIAL NUMBER AND DESCRIPTION OF PARTS REQUIRED

RECOMMENDED SPARE PARTS

S.No.	Part no.	Description	Qty	Page
30	1005430	HEAVY DUTY NEEDLE ROLLER BEARINGS	1	84, 86
31	1004396	BEARING, 3 1/2 SHAFT GREASELESS"	2	88
32	T140607	DECAL, CRUSH HAZARD, STAY CLEAR LOAD	2	124, 126, 128, 388
33	1032426	HARNESS UPPER	1	158
34	1223-770	LIGHT, TRIPLE IDENT, RED	1	158
35	1029842	WEAR, BOOM REST SIDE	2	186
36	230139	HARNESS & FUSE PANEL ASSEMBLY	1	200
37	228277	RELAY, 12V MICRO 280	5	200
38	228278	FUSE, MINI/ ATM 10 AMP	4	200
39	228279	FUSE, MINI/ ATM 20 AMP	2	200
40	T117939	WEAR PAD, 9.375 X 4.00 X .375	1	242, 244, 246, 248
41	T120619	TAIL LIGHT, MULTI FUNCTION	2	250
42	1008353	TEMP SENSOR	1	252
43	1008366	SENSOR, HYDRAULIC PRESSUR 6000 PSI	2	252
44	1034145	HARNESS, TAIL LIGHT	1	252
45	1032425	HARNESS LOWER	1	252
46	714A1432	ALARM, BACKUP/OR	1	252
47	T118879	SENSOR, INDUCTIVE	8	252
48	T120217	PROXIMITY SWITCH	4	252
49	T133237	HARNESS, REAR O/R SENSOR	2	252
50	T133823	HARNESS, FRONT O/R SENSOR	2	252
51	T165470	12V 3/4" RED SIDE MARKER LIGHT	2	252
52	T165471	12V 3/4" AMBER SIDE MARKER LIGHT	4	252
53	1026509	O-RING, AS568A-155	1	286, 290
54	1223-1026	SWITCH, BEACON	1	328, 330
55	420-4974	LIGHT, STROBE	1	328
56	T135443	LIGHT, REVOLVING, AMBER	1	330
57	1038385	ROPE, 3/4"	1	354
58	1038398	SHIM	4	360
59	1007827	BEARING, #2 SHEAVE	2	364

WHEN ORDERING PARTS, SPECIFY MODEL NUMBER, SERIAL NUMBER AND DESCRIPTION OF PARTS REQUIRED



www.loadkingmfg.com

Load King
7701 Independence Ave, Kansas City, MO
64125
Parts: (816) 241- 8387
Service: (833) 281-7911
info@loadkingmfg.com



PL 180 PARTS MANUAL