



STINGER 35-127M

35T Lifting capacity

Boom truck crane

STINGER

35-127M



Features of the STINGER 35-127M:

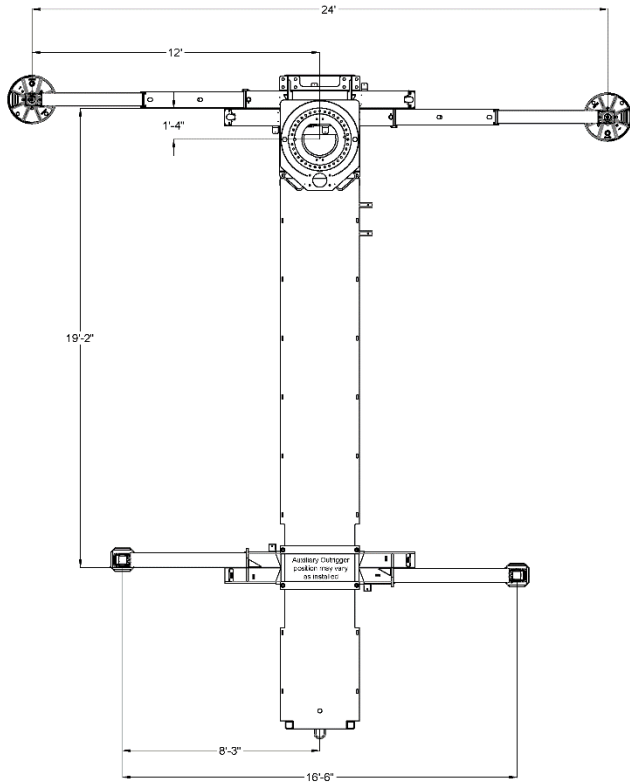
- 35 US Ton @ 5ft
- 127-foot full power main boom
- 137-foot tip height
- 31-55 ft optional two-piece jib
- 192 ft maximum tip height with 55 ft jib
- Dual stations with electric over hydraulic controls
- Electronic rated capacity indicator

DIMENSIONS

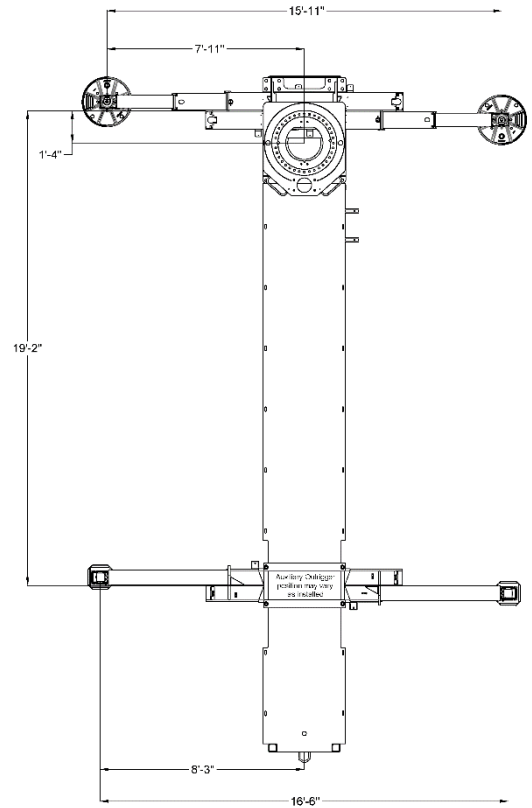
STINGER 35-127M

Footprint of outrigger positions

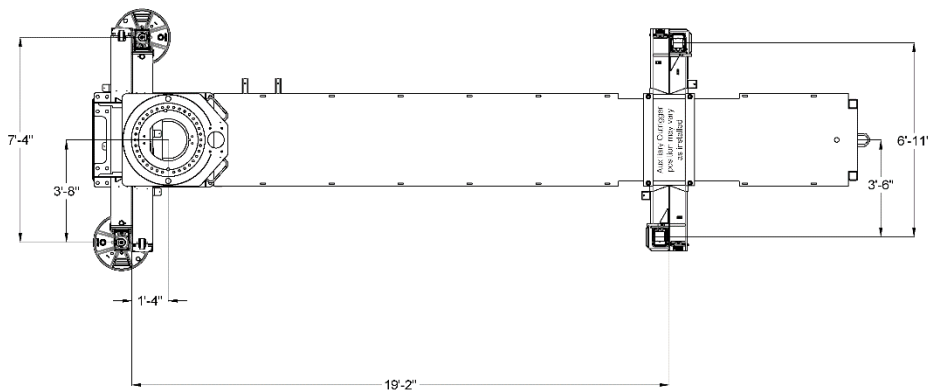
Full Span



Mid Span



Retracted



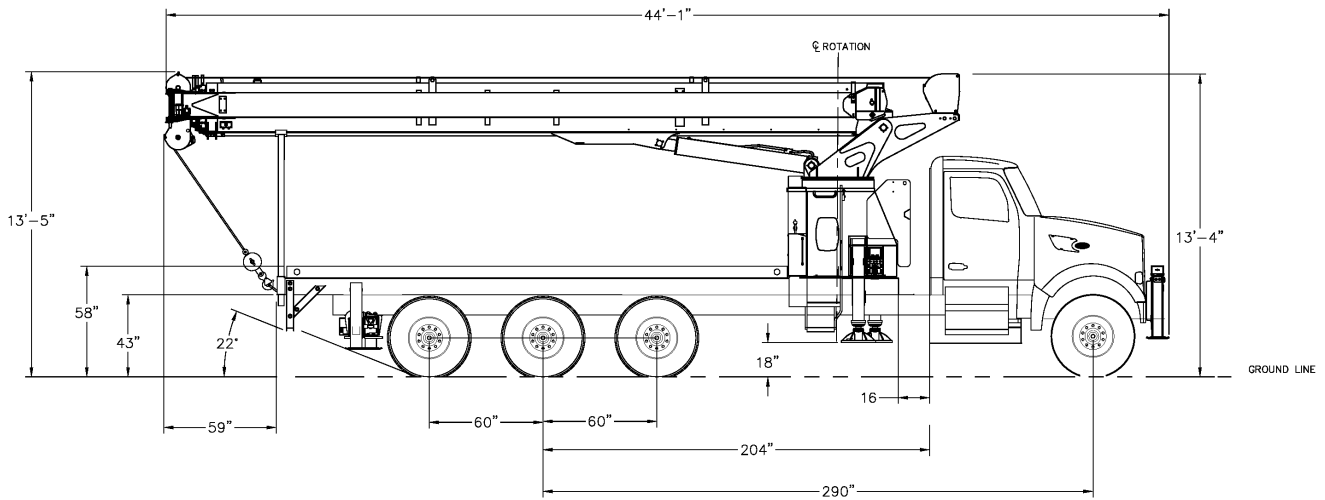
Outrigger ground penetration: 10" Front, 11" Rear

Outrigger ground clearance stowed w/o pad: 24"

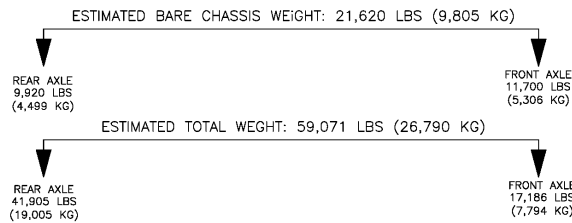
DIMENSIONS

STINGER 35-127M

Road layout and weights



OPTIONS INCLUDED IN WEIGHT ESTIMATE:
 - 2 STAGE JIB = 1930 LBS.
 - LOAD BALL
 - STD DUTY STEEL FLATBED
 - FRONT OUTRIGGER
 * WEIGHT ESTIMATE INCLUDES DRIVER AND FULL FUEL



Mounting Specifications:

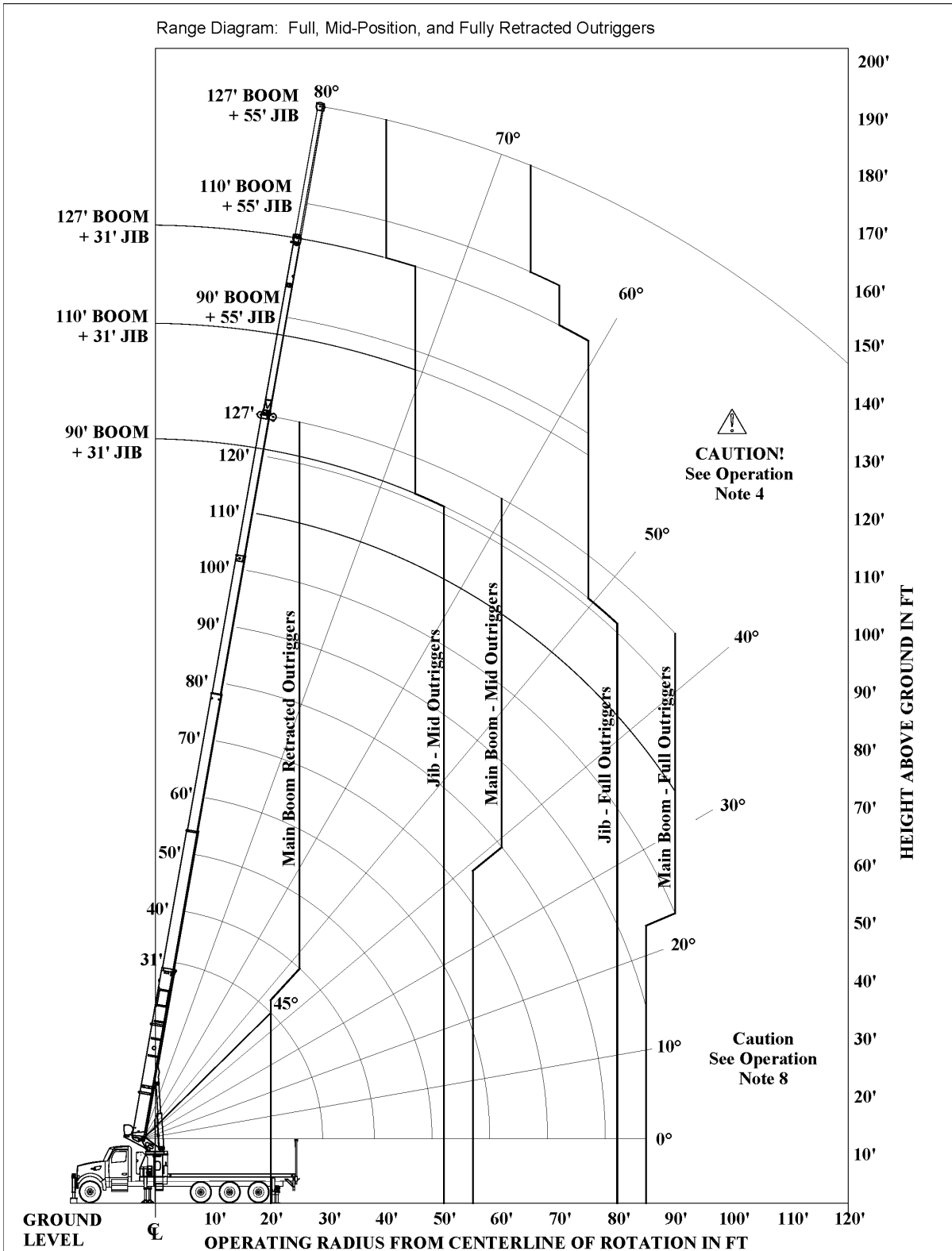
Gross Vehicle Weight Rating (GVWR)	60,000 lb
Front Axle Weight Rating	20,000 lb
Rear Axle Weight Rating	40,000 lb
Wheelbase	275 in
Afterframe	130 in
Cab to Axle	192 in
RBM per Frame Rail	3,600,000 lb/in
Frame Section Modulus	30 in ³
Crane Weight (Base Machine)	37,500 lb



RANGE DIAGRAM

STINGER 35-127M

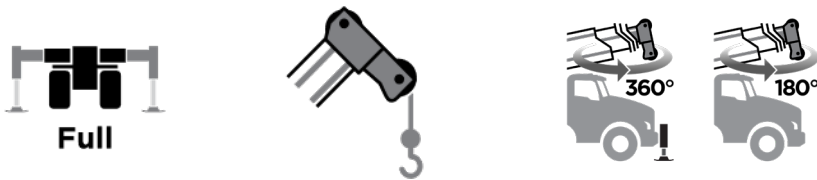
Outriggers fully extended



LOAD CHART

STINGER 35-127M

Main Boom 360°



Standard: ASME B30.5												
		Boom length in feet										
		31	40	50	60	70	80	90	100	110	120	127
Radius in feet	5	70,000	42,700									
	10	39,650	39,750	39,550	39,450	39,150						
	12	35,800	35,950	35,900	35,450	34,750	34,100					
	15	31,050	30,500	29,650	28,900	28,250	27,700	27,150				
	20	23,100	23,000	22,450	21,850	21,300	20,850	20,400	19,950	19,550		
	25	16,400	17,900	17,750	17,300	16,850	16,450	16,050	15,700	15,350	15,000	10,000
	30		13,800	14,300	14,050	13,750	13,400	13,050	12,750	12,450	12,150	10,000
	35		9,500	11,500	11,600	11,400	11,150	10,850	10,600	10,300	10,050	9,850
	40			9,000	9,550	9,550	9,350	9,100	8,900	8,650	8,400	8,250
	45			6,050	7,600	7,800	7,900	7,750	7,550	7,300	7,100	6,950
	50				5,950	6,150	6,250	6,350	6,350	6,250	6,050	5,900
	55				3,800	4,900	5,000	5,050	5,100	5,050	5,050	5,000
	60					3,850	4,000	4,050	4,100	4,100	4,050	4,050
	65					2,300	3,150	3,250	3,300	3,300	3,300	3,250
	70						2,450	2,550	2,600	2,600	2,600	2,600
	75						1,150	1,950	2,000	2,050	2,050	2,050
80							1,450	1,500	1,550	1,550	1,550	
85							350	1,100	1,100	1,150	1,150	
90								700	750	750	750	

There is no jib deduct for a stowed boom. Charts are also available for mid-span and retracted outrigger positions.

Front stabilizer required for 360° operation

Notes to lifting capacity

Lifting capacities do not exceed 85% of tipping load. Weight of hook blocks and slings are part of the load and are to be deducted from the capacity ratings. Consult operation manual for further details.

The data published herein is intended as a guide only and shall not be construed to warrant applicability for lifting purposes.

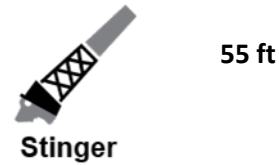
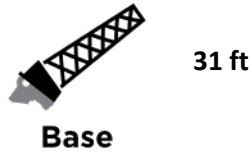
Crane operation is subject to the computer charts and operation manual, both supplied with the crane.



LOAD CHART

STINGER 35-127M

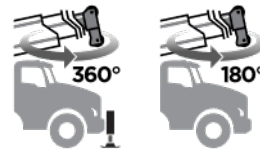
Base jib 360°, full outriggers



Standard: ASME B30.5

		Boom length in feet							
		90	110	127					
Radius in feet	20	10,500			Radius in feet	Boom length in feet			
	25	10,500				90	110	127	
	30	8,900	5,000			25	5,200		
	35	8,300	5,000	4,450		30	5,200		
	40	7,250	5,000	4,450		35 <td>5,000</td> <td>2,650</td> <td></td>	5,000	2,650	
	45	6,050	5,000	4,450		40 <td>4,600</td> <td>2,650</td> <td>2,650</td>	4,600	2,650	2,650
	50	5,050	4,500	4,050		45 <td>4,250</td> <td>2,650</td> <td>2,650</td>	4,250	2,650	2,650
	55	3,950	3,650	3,300		50 <td>3,900</td> <td>2,650</td> <td>2,650</td>	3,900	2,650	2,650
	60	3,050	2,750	2,550		55 <td>3,000</td> <td>2,650</td> <td>2,300</td>	3,000	2,650	2,300
	65	2,300	2,050	1,850		60 <td>2,200</td> <td>1,900</td> <td>1,600</td>	2,200	1,900	1,600
	70	1,700	1,450	1,250		65 <td>1,600</td> <td>1,300</td> <td>1,050</td>	1,600	1,300	1,050
	75	1,150	950	750		70 <td>1,100</td> <td>800</td> <td></td>	1,100	800	
	80	750				75 <td>650</td> <td></td> <td></td>	650		

Charts are also available for mid-span outrigger position. Front stabilizer required for 360 degree operation.



Notes to lifting capacity

Lifting capacities do not exceed 85% of tipping load. Weight of hook blocks and slings are part of the load and are to be deducted from the capacity ratings. Consult operation manual for further details.

The data published herein is intended as a guide only and shall not be construed to warrant applicability for lifting purposes. Crane operation is subject to the computer charts and operation manual, both supplied with the crane.

Boom, jib and rotation

Five-section full power mechanically synchronized “double keel” telescopic boom		
Boom length	Retracted	31 ft
	Extended	127 ft
Boom maximum tip height		137 ft
Boom elevation angle range (min / max)		-8° / 80°
Boom extend / retract speed		180 / 140 Sec
Boom up / down speed		50 / 40 Sec
Boom head		Quick reeving
370° non-continuous rotation		
Hydraulically driven double planetary reduction gear drive		1 rev/min
Optional		
Continuous rotation		360°
Two-piece manual pull-out jib		30.5 / 55 ft
Maximum tip height with extended jib		192 ft
1-sheave hook block with latch		20 USt
3-sheave hook block with latch		35 USt
3-sheave hook block with latch		40 USt
Swivel ball with latch		8 USt

Main and aux hoist, rope, and hook

Two-speed winch	Low Speed	High Speed
First layer (no load)	75 ft/min	170 ft/min
Fifth layer (no load)	108 ft/min	246 ft/min
Line pull	Low Speed	High Speed
First layer (no load)	15,000 lb	7,000 lb
Fifth layer (no load)	10,380 lb	4,850 lb
Permissible line pull		11,304 lb
Average breaking strength		56,520 lb
Standard rope		5/8" 400 ft
37 x7 Combined filler Wire Strand Core; Right hand Lang Lay; EEIPS (2160 Mpa); .84 lbs / inch		
Winch control at rear bumper		

Control Station

Dual-side, stand-up controls with foot throttle pedal

Console includes:

- Four single-axis control levers for crane functions

- Electric over hydraulic controls

- Keypad for outriggers (including front stabilizer) start / stop and winch control and signal horn

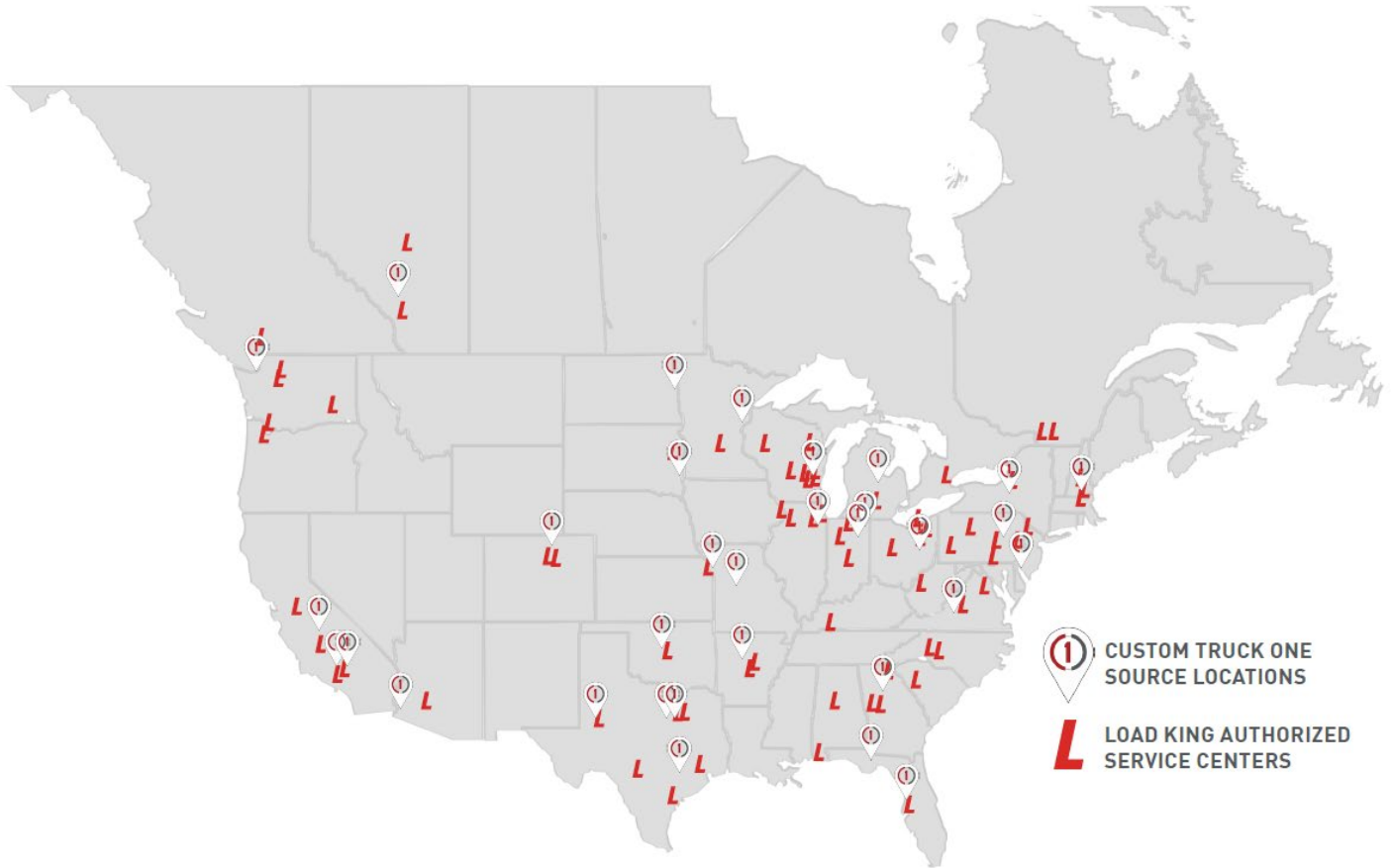
- Bubble level and high hydraulic temperature warning light

Electronic rated capacity indicator with color display

Outriggers

M-style, Multi-position out and down outrigger system		Center of pad
Fully Extended	Front:	24'
	Rear:	16' 6"
	Front to back (all spans):	19' 2"
Mid Span	Front:	15' 10"
	Rear:	16' 6"
Fully Retracted	Front:	7' 4"
	Rear:	6' 11"

SERVICE LOCATIONS



CONTACT US

24/7 Call Center, staffed in Kansas City, MO

833-281-7911

Parts questions:

833-PARTSLK (833-727-8755)

partsupport@loadkingmfg.com

Parts orders:

store.loadkingmfg.com

Warranty:

cranewarranty@loadkingmfg.com

All our new cranes are backed by an industry-leading 3-year basic and 5-year structural warranty.

www.loadkingmfg.com



NSF-ISR

Registered to ISO 9001