

STINGER 25-92M

25 T LIFTING CAPACITY
BOOM TRUCK CRANE



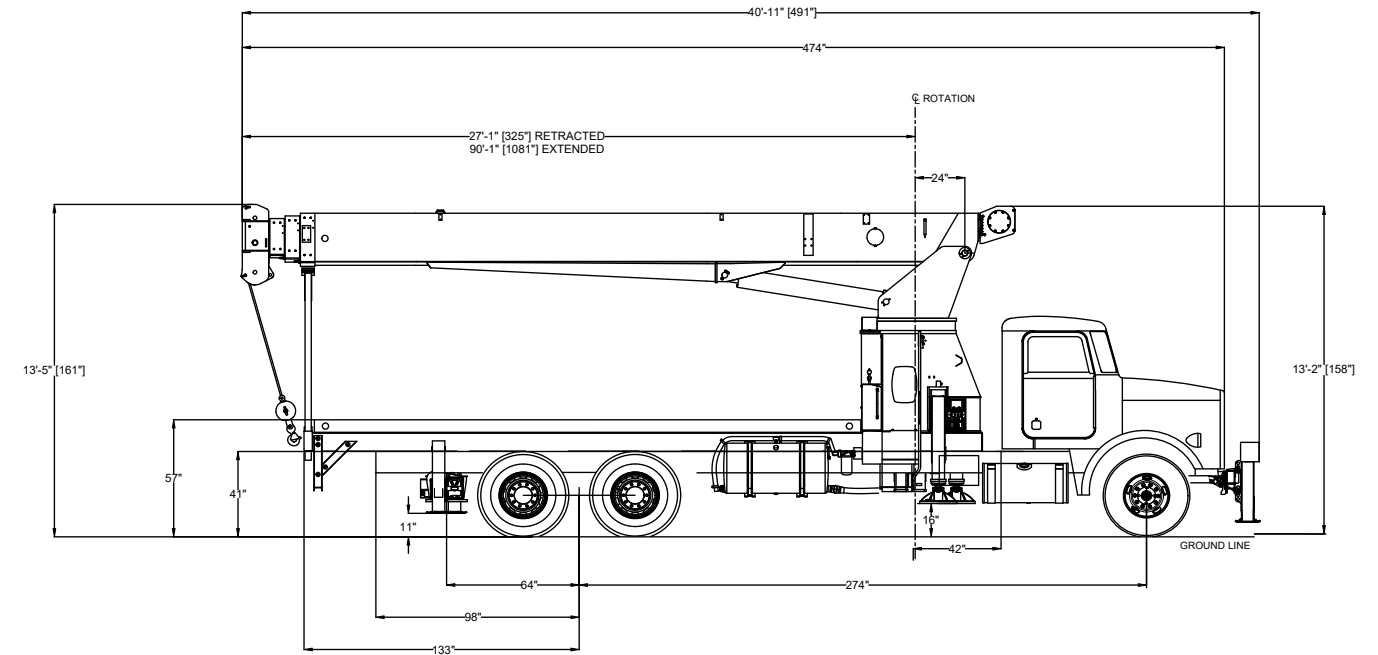
FEATURES

- 25-UST @ 5-FOOT RADIUS
- 92-FOOT MAXIMUM BOOM LENGTH
- 102-FOOT MAXIMUM TIP HEIGHT
- 26-44 FOOT OPTIONAL JIB
- 146-FOOT MAXIMUM TIP HEIGHT WITH 44-FOOT JIB
- M-STYLE MULTI-POSITION OUTRIGGERS
- ELECTRONIC RATED CAPACITY INDICATOR

DIMENSIONS

ROAD LAYOUT AND WEIGHTS

STINGER 25-92M



LOAD CHART

OUTRIGGERS FULLY EXTENDED (100%)



		Standard: ASME B30.5					
		Boom length in feet					
		29	44	57	71	84	92
Radius in feet	5	50,000					
	8	38,550	16,700				
	10	34,700	16,700	16,850			
	12	31,450	16,700	16,850			
	14	28,700	16,700	16,850	16,800		
	16	26,300	16,700	16,850	15,700	13,850	
	20	21,900	16,700	16,150	13,050	11,450	10,900
	25	16,150	16,500	13,400	10,700	9,400	8,850
	30		12,800	11,450	9,050	7,850	7,300
	35		10,200	9,900	7,800	6,650	6,050
	40		8,250	8,350	6,750	5,650	5,050
	45			6,900	5,900	4,850	4,300
	50			5,700	5,250	4,150	3,650
	55				4,650	3,650	3,150
	60				4,050	3,150	2,700
	65				3,400	2,750	2,350
70					2,400	2,000	
75					2,150	1,750	
80					1,900	1,500	
85						1,300	
90						1,050	
0° Capacity		7,500	4,000	1,225	1,100	650	550

Loaded Boom Angle	26FT	44FT
80°	8,325	3,125
78°	4,925	2,825
75°	4,325	2,525
70°	3,225	2,025
65°	2,325	1,525
60°	1,525	1,125
55°	1,025	725
50°	725	425