

LOAD KING



PARTS MANUAL

LOAD KING

35-100

WARNING Operating, servicing and maintaining this equipment can expose you to chemicals including engine exhaust, carbon monoxide, phthalates, and lead, which are known to the State of California to cause cancer and birth defects or other reproductive harm. These chemicals can be emitted from or contained in other various parts and systems, fluids and some component wear by-products. To minimize exposure, avoid breathing exhaust, do not idle the engine except as necessary, service your equipment and vehicle in a well-ventilated area and wear gloves or wash your hands frequently when servicing your equipment or vehicle and after operation. For more information go to www.P65Warnings.ca.gov/passenger-vehicle.

Breathing diesel engine exhaust exposes you to chemicals known to the State of California to cause cancer and birth defects or other reproductive harm.

- Always start and operate the engine in a well-ventilated area.
- If in an enclosed area, vent the exhaust to the outside.
- Do not modify or tamper with the exhaust system.
- Do not idle the engine except as necessary.

For more information go to www.P65warnings.ca.gov/diesel.

LOAD KING WARRANTY

Load King (herein after referred to as the COMPANY) warrants all products manufactured by it and purchased by you to be free from defects in material and manufacture at the time of shipment, for one (1) year from date of delivery. The COMPANY will furnish replacements for such parts as the COMPANY finds to have been defective at the time of delivery or, at the COMPANY's option, will make or authorize repairs to such parts, provided that, upon request, such parts are returned, transportation is prepaid to the factory from which they were shipped.

This warranty shall not apply to any Product which has been subjected to misuse, misapplication, overloading, neglect (including but not limited to use of unauthorized parts or attachments), adjustments or repair. Engines, motor, tires, wheels, suspensions, axles, etc. and any accessories furnished with or used in the COMPANY's products, but which are not manufactured by the COMPANY, are not warranted by the COMPANY but are sold only with the express warranty, if any, or the manufacturers thereof. This warranted is limited to the first purchaser/user and is not transferable.

THE FOREGOING IS IN LIEU OF ALL OTHER WARRANTIES, WHETHER EXPRESSED OR IMPLIED (INCLUDING, WITHOUT LIMITATIONS, OF MERCHANTABILITY AND FITNESS OF ANY PRODUCT FOR A PARTICULAR PURPOSE), AND OF ANY OTHER OBLIGATION OR LIABILITY ON THE PART OF THE COMPANY. THERE ARE NO WARRANTIES WHICH EXTEND BEYOND THE DESCRIPTION OF THE FACE THEREOF.

LIMITATION OF LIABILITY

It is expressly understood and agreed by you that the COMPANY's liability for its products, whether due to breach of warranty, or otherwise is limited to the furnishing of such replacement parts, F.O.B.

factory, and the COMPANY will not be liable for any other injury, loss, damage, or expense, whether direct or consequential, including but not limited to loss of use, income, profit, or production, injury to person or increase in cost of operation, spoilage of or damage to material, arising out of or in connection with the sale, installation, use or inability to use, or the repair or replacement of the COMPANY's products.

All used vehicles and/or bodies are sold in the "AS IS" condition and no expressed or implied warranty is made.

All of COMPANY'S Products are of high quality and are manufactured in conformity with the best commercial practices in the various lines. The COMPANY guarantees all Products manufactured by it to be free from defects in material and manufactured at the time of shipment, for one (1) year from date of delivery. In addition, the COMPANY guarantees the portion of the product to be considered structural for one (1) year from date of manufacture.

While Load King, LLC. designs and manufactures its specific equipment configurations to industry standards, it is ultimate responsibility of the buyer/operator to assure that all loads are properly loaded and distributed. All loads must comply with the applicable state and federal load limits.

INSTRUCTIONS FOR ORDERING PARTS

When ordering parts, contact your nearest Load King distributor and give the following information to assure prompt service:

MACHINE IDENTIFICATION:

State the model and Product Identification Number (PIN), located on the plate in the Operator's Cab.

The six digit serial number is shown on a plate on the outside front of the operator's cab for convenient access.



PART IDENTIFICATION:

State the part number, description and quantity required. Do not use the item number. Avoid using the words "Pairs" or "Sets".

REF	PART.NO.	DESCRIPTION	
	T139803	Mirror, Convex	1

SHIPPING INSTRUCTIONS:

State the invoicing address. Unless otherwise specified, invoices will be mailed to the shipping address.

State the correct shipping address and the means of shipment: parcel post, air mail, air freight, UPS, bus, etc.

Load King
 7701 Independence Ave, Kansas City, MO
 64125
 Parts: (816) 241- 8387
 Service: (833) 281-7911
 Email: CIC@customtruck.com

USING THIS PARTS BOOK

This Parts Manual has been designed for optimum ease of reading and is the key to Customer-Distributor-Factory communication. Genuine replacement parts, along with interchangeable product improvements as they become available, will keep your machine in a reliable and productive condition.

The following instructions describe the features of the manual and how to use it effectively.

Use this manual also as a supplement to the Operator's Manual and Maintenance Manual when performing service procedures on the machine.



IMPORTANT

This manual lists serviceable parts for **EVERY** machine built of this model designation. Serial numbers are used to identify parts when a product improvement is made or an alternate component is used. **KNOW THE SERIAL NUMBER OF YOUR MACHINE** before searching for replacement parts.

The **PARTS CHAPTER INDEX** shows the functional arrangement of associated parts for the machine. A chapter number identifies the same chapter of parts regardless of model (Chapter 2 is always the Lower Structure). The chapters which apply to the machine are listed in numerical order.

PAGE NUMBERS are in numerical sequence within each parts chapter.

EXPLODED VIEW ILLUSTRATIONS show the relationship of assembled parts. The illustrations are keyed to an accompanying parts list on the same page or on the facing page and are positioned for ease in reading the manual.

LOCATING INDIVIDUAL PARTS

1. Turn to the PARTS CHAPTER INDEX and find the general area of the part in question. (Example: Seat would be found in "Operator's Cab" chapter 1).
2. Refer to the parts chapter and check to see if a subsequent letter-designated chapter is used. Check the title block on the pages to determine the application of the chapter to your particular machine.

ENGINE	2
---------------	----------

FILTER	5
---------------	----------

3. Major assemblies are shown at the beginning of each chapter with page references to component parts breakdowns on the pages which follow. Briefly skim through the chapter to familiarize yourself with the information included in it. Locate the illustration and parts list which pertain to the assembly or part you desire. Compare the serial number of your machine to those which may appear on the page to be sure you are ordering the correct part.
4. Item numbers on the illustration correspond to those in the parts list. Parts not shown with an item number are the same as identical or symmetrical parts with an item number. Parts keyed with an asterisk or other symbol are included in a repair kit. If no part number is shown, these parts cannot be ordered separately.
5. Quantities are shown as required per component assembly unless otherwise noted.
6. If an assembly is listed without any serviceable parts, it must be ordered complete. Serviceable parts of components are listed under the component part or a subsequent page as indicated.
7. All hardware shown without the size listed after the noun name is specially made for the particular application and must not be substituted with standard hardware.

35-100: TABLE OF CONTENTS

Chapter	Description	Page
1	35-100 UPPER STRUCTURE	15
	BOOM / WINCH / TOP CYL / GUIDE CYL/BOOM CABLE GUIDE INSTL (WHITE)	19
	WINCH INSTALLATION, COMBINED FLOW	20
	WINCH ASSEMBLY, WHITE & RED (OMNI)	21
	HOIST CYLINDER INSTALLATION/CABLE GUIDE INSTALLATION	24
	TOPPING CYLINDER ASSEMBLY	25
	CYLINDER, TOPPING	26
	BOOM ASSEMBLY W/INTERNAL LMI - 4 STAGE (100FT, WHITE)	28
	EXTENSION CYLINDER ASSEMBLY - 48'	35
	EXTENSION CYLINDER (SEABEE)	37
	SHEAVE ASSEMBLY, BOOM RETRACT	39
	SHEAVE ASSEMBLY	40
	ATB/LMI INSTALLATION (GREER)	41
	INTERNAL LMI SHEAVE ASSEMBLY - REAR	43
	REEL/A-RCI/ATB	44
	INTERNAL LMI SHEAVE ASSEMBLY - FRONT	45
	CONTROL CONSOLE ASSEMBLY 35-100 CF/MS WINCH (GRAY)	46
	VALVE ASSEMBLY	52
	ELECTRICAL SYSTEM OUTRIGGER ALARM SWITCH	53
	WINCH VALVE ASSEMBLY COMBINED FLOW	54
	MAIN VALVE ASSEMBLY COMBINED FLOW	55
	CONTROL CONSOLE ASSEMBLY/WELDMENT (GRAY)	57
	BOOM / WINCH / TOP CYL / GUIDE CYL/BOOM CABLE GUIDE INSTL (WHITE)	59
	2 SPEED WINCH INSTALLATION (WHITE)	60
	WINCH ASSEMBLY (BRADEN)	62
	BRAKE CLUTCH ASSEMBLY	65
	PRIMARY PLANET CARRIER ASSEMBLY	66
	PLANET CARRIER ASSEMBLY	67
	BRAKE CYLINDER ASSEMBLY	68
	BRAKE VALVE ASSEMBLY	70
	CONTROL CONSOLE ASSEMBLY 35-100 CF/MS WINCH (GRAY)	77
	LATCH RELAY 2 SPEED	78
	WINCH VALVE ASSEMBLY MOTOR SHIFT	80
	MAIN VALVE ASSEMBLY MOTOR SHIFT	82
	JIB OPTIONS	84
	JIB ASSEMBLY (WHITE)	85
	JIB ASSEMBLY (WHITE)	88
	JIB STOWAGE (WHITE)	92
	JIB STOWAGE (WHITE)	94

35-100: TABLE OF CONTENTS

Chapter	Description	Page
	JIB STOWAGE (WHITE)	96
	HOOK BLOCK, LOAD BALL & WIRE ROPE OPTIONS	98
	HOOK BLOCK ASSEMBLY 1 SHEAVE / 20 TON	100
	LOAD BLOCK 1 SHEAVE / 20 TON	101
	HOOK BLOCK ASSEMBLY 2 SHEAVE / 30 TON	103
	LOAD BLOCK 2 SHEAVE / 30 TON	104
	HOOK BLOCK ASSEMBLY 4 SHEAVE / 40 TON	106
	LOAD BLOCK 4 SHEAVE / 40 TON	107
	LOADHOOK/BALL 7 TON TOP SWIVEL	109
	LOADHOOK/BALL 7 TON NON SWIVEL	111
	WEDGE & SOCKET INSTL	113
	WEDGE & SOCKET INSTALLATION	114
	AUXILIARY SHEAVE ASSEMBLY	115
	SHEAVE ASSEMBLY	117
	MAINFRAME ASSEMBLY (GRAY)	118
	CENTER POST INSTALLATION CONTINUOUS ROTATION (GRAY)	120
	HYDRAULIC SWIVEL, 15 PASS CONTINUOUS ROTATION	123
	SWING INSTALLATION (GRAY)	125
	SWING DRIVE - GEARBOX (OMNIGEAR)	127
	PLATFORM INSTALLATION	130
	HYD PIPING, MAINFRAME (CONTINUOUS ROTATION)	132
	AUXILIARY VALVE ASSEMBLY	136
	MAIN FRAME W/OUTRIGGER HOUSING (GRAY)	137
	ASSEMBLY, MAIN OUTRIGGER INSTALLATION (GRAY)	139
	MAIN OUTRIGGER ASSEMBLY (GRAY)	141
	CYLINDER MAIN OUTRIGGER	145
	TURRET INSTALLATION CONTINUOUS ROTATION	146
	NON-BOOM LMI PARTS BT MACHINES (GRAY)	148
	DISPLAY, GREER INSIGHT	150
	COMPUTER, GREER A450880 (BEGINNING W / S.N. # 140735)	151
	MAINFRAME ASSEMBLY (GRAY)	152
	HYD PIPING, MAINFRAME (NON-CONTINUOUS ROTATION)	154
	TURRET INSTALLATION NON-CONTINUOUS ROTATION (GRAY)	158
	BOOM ANGLE INDICATOR INSTALLATION	160
	ELECTRIC THROTTLE INSTALLATION	161
	THROTTLE ASSEMBLY	163
	ELECTRIC THROTTLE PEDAL INSTALLATION (CUMMINS)	165
	ELECTRIC THROTTLE PEDAL INSTALLATION (DETROIT)	166
	THROTTLE PEDAL (MANUAL)	167
	BUMP THROTTLE INSTALLATION	169

35-100: TABLE OF CONTENTS

Chapter	Description	Page
2	35-100 LOWER STRUCTURE	170
	TRUCK CHASSIS	174
	OUTRIGGERS	176
	AUXILIARY OUTRIGGER INSTL (GRAY)	177
	HORIZONTAL AUXILIARY O/R, ASSEMBLY (GRAY)	180
	HORIZONTAL AUXILIARY OUTRIGGER CYLINDER (GRAY) (FISHER DIVISION OF LIGON)	183
	AUXILIARY OUTRIGGER CYLINDER VERTICAL (GRAY) (FISHER DIVISION OF LIGON) ..	185
	ASSEMBLY, FRONT BUMPER (OUTRIGGER) 34" FRAME	187
	OUTRIGGERS SUB ASSEMBLY, FRONT BUMPER	189
	FRONT JACK CYLINDER	191
	FRONT BUMPER OUTRIGGER VALVE	193
	ASSEMBLY, FRONT BUMPER (OUTRIGGER) 46" FRAME	194
	SUBFRAME INSTALLATION	196
	LADDER KIT, STEEL BED	198
	HYDRAULIC PIPING, AUX O/R	200
	REAR BUMPER ASSEMBLY	203
	SUBFRAME ELECTRICAL INSTALLATION	205
	SHEAR PLATE INSTALLATION	207
	BOOM REST ASSEMBLY	208
	MAINFRAME TURRET INSTALLATION	209
	FLATBED OPTIONS	211
	FLATBED INSTALLATION (STD DUTY)	213
	FLATBED INSTALLATION (SUPER DUTY)	214
	BRACKETS WITH MUD FLAPS (OPTION 1)	215
	BRACKETS W/O MUD FLAPS (OPTION 2)	216
	PUMP INSTALLATION	217
	PUMP, TRIPLE	219
	PUMP INSTALLATION	220
	PUMP, TRIPLE	221
	HYDRAULIC TANK INSTALLATION	223
	HYDRAULIC RESERVOIR ASSEMBLY	226
	TUBE ASSEMBLY RETURN	228
	RETURN LINE FILTER ASSEMBLY	229
	HYDRAULIC TANK INSTALLATION (OPTION 2)	230
	HYDRAULIC TANK ASSEMBLY 90 GAL	232
	FIRE EXTINGUISHER INSTALLATION	233
	PTO OPTIONS	234

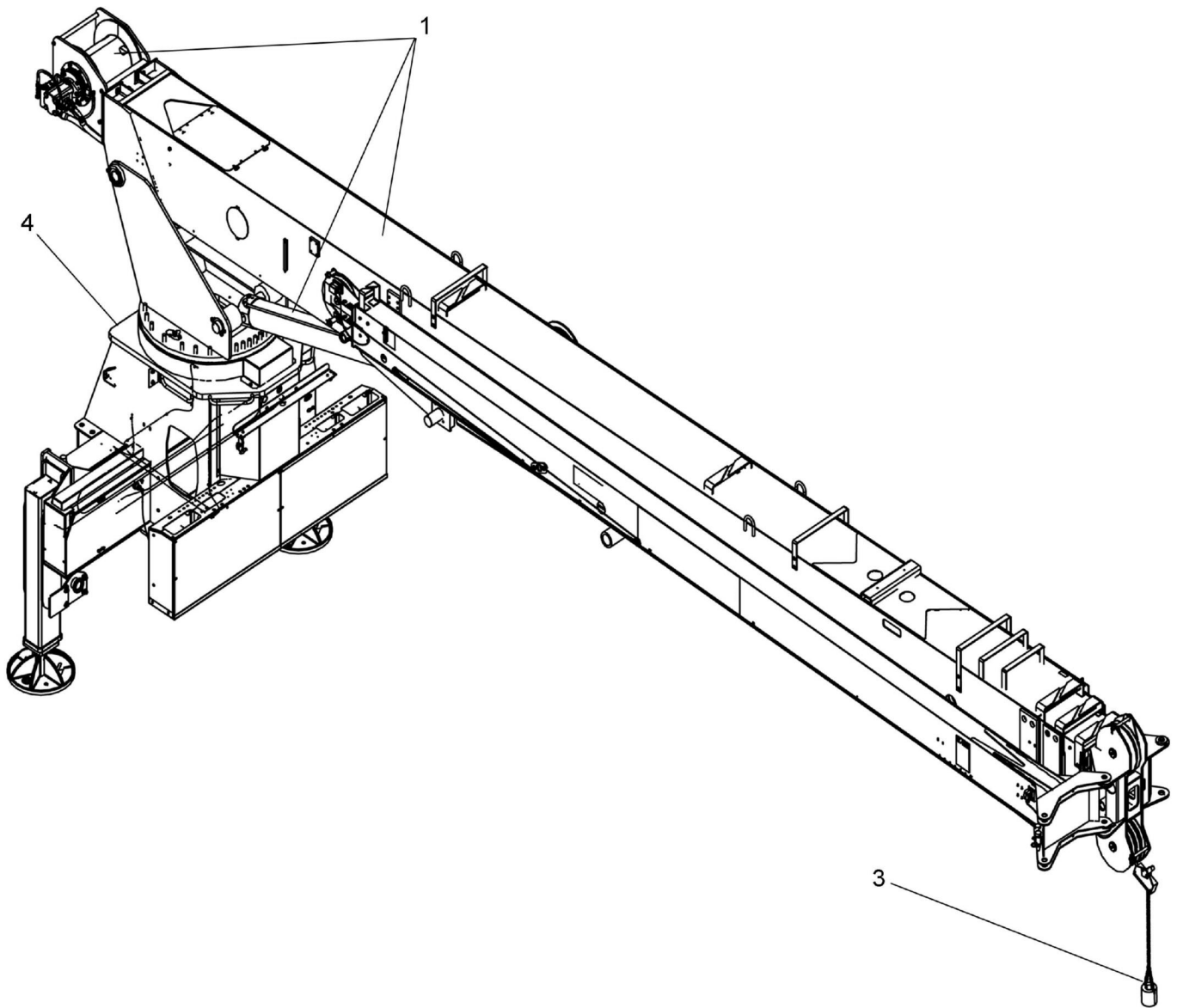
PARTS GROUPS

35-100: TABLE OF CONTENTS

Chapter	Description	Page
3	OPTIONAL EQUIPMENT	236
	OIL COOLER INSTALLATION	240
	TOOL BOX INSTALLATION-36"	243
	TOOL BOX INSTALLATION-30"	245
	RADIO REMOTE TRANSMITTER INSTALLATION WITH 2-MAN STEEL PERSONNEL PLATFORM	247
	RADIO REMOTE ASSEMBLY-1 SERIES NEW KAR-TECH	248
	KIT RADIO REMOTE CONTROL SYSTEM	250
	ACTUATOR LINKAGE KIT	251
	ACTUATOR-LINKAGE-SUB ASSEMBLY-3.72	252
	ACTUATOR-LINKAGE-SUB ASSEMBLY-4.59	253
	ACTUATOR-LINKAGE-SUB ASSEMBLY-5.46	254
	ACTUATOR-LINKAGE-SUB ASSEMBLY-6.32	255
	RADIO ACTUATOR VALVE SUB ASSEMBLY	256
	2 MAN STEEL PLATFORM ASSEMBLY	257
	2 PERSON STEEL PLATFORM ASSEMBLY	258
	PIN ASSEMBLY, 2MAN PLATFORM-LH	261
	PIN ASSEMBLY, 2MAN PLATFORM-RH	262
	WINCH CABLE TENSIONER (WHITE)	263
	HARNESS, BUMP THROTTLE	264
4	PAINT & MARKING	265
	MARKING DECAL PLACEMENT (WHITE)	269
	SPANISH DECALS KIT	275
	BOOM MARKING 100'-(ENGLISH)	279
	BOOM MARKING 100' (METRIC)	281
	2-MAN STEEL PLATFORM MANUAL, DECALS (ENGLISH)	283
	2-MAN STEEL PLATFORM & 4TH SECT. DECAL LOCATION (ENGLISH)	284
	2-MAN STEEL PLATFORM MANUAL, DECALS (METRIC)	286
	2-MAN STEEL PLATFORM & 4TH SECT. DECAL LOCATION (METRIC)	287
5	MANUALS	289
	MANUAL PACK-ENGLISH	292
	MANUAL PACK-SPANISH	293
	MANUAL PACK-FRENCH	294
6	RECOMMENDED SPARE PARTS	295

CHAPTER NO. 1

35-100 UPPER STRUCTURE




WHEN ORDERING PARTS, SPECIFY MODEL NUMBER, SERIAL NUMBER AND DESCRIPTION OF PARTS REQUIRED

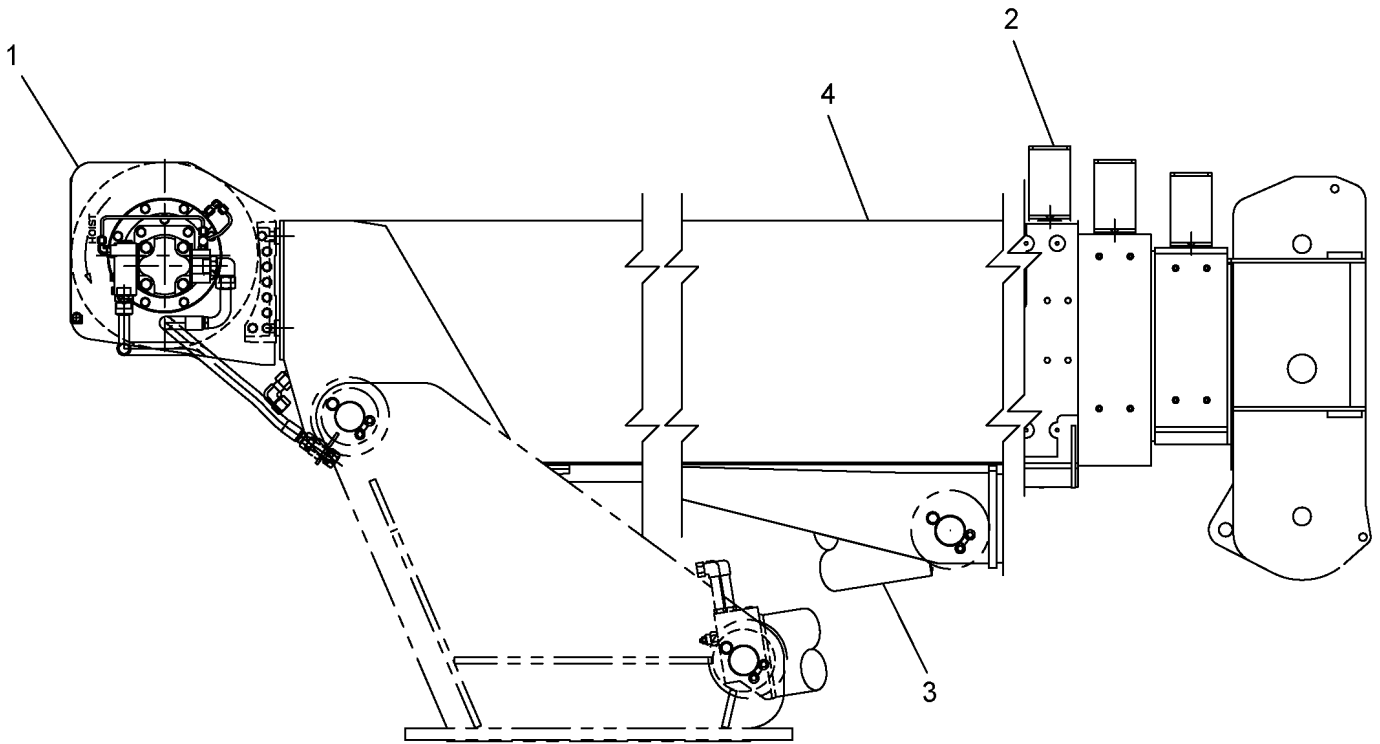
	<p>35-100 UPPER STRUCTURE</p>	DATE: Revised 10-2017	<p>CHAPTER 1</p>
		MODEL: 35-100	
		PAGE: 17	

REF	PART NO.	DESCRIPTION	QTY
	35-100-UPR-STR (Rev. 00)	35-100 UPPER STRUCTURE	
1	720-01007-8	Boom/Winch/Top CYL/Guide CYL/Boom Cable Guide INSTL (White) (see page 19)	1
1B	720-01007-14	Boom/Winch/Top CYL/Guide CYL/Boom Cable Guide INSTL (White) (see page 59)	1
2**	35-100-JIB OPTIONS*	35-100 Jib Options (see page 84)	1
3	35-100-HK/LD BALLS & ROPE*	Hook Block, Load Ball & Wire Rope Options (see page 98)	1
4	700-00979-7	Mainframe Assembly 35-100 Series CONT. Rotation (Gray) (see page 118)	1
4B	700-00979-8	Mainframe Assembly 35-100 Series Non CONT. Rotation (Gray) (see page 158)	1
5**	861-90438	Boom Angle Indicator Installation (see page 160)	1
6**	600-40439	Throttle Installation (see page 169)	1
6A	300-00501	Electric Throttle Control Pedal (For Cummins Engine) (see page 165)	1
6B	300-00513	Electric Throttle Control Pedal (For Detroit Engine) (see page 166)	1
6C	600-40429	Throttle INSTL, Manual (see page 163)	1
6D	T114222	Bump Throttle INSTL (see page 169)	1

* NOT PURCHASABLE AT THIS LEVEL
 ** ITEM NOT SHOWN IN ILLUSTRATION

WHEN ORDERING PARTS, SPECIFY MODEL NUMBER, SERIAL NUMBER AND DESCRIPTION OF PARTS REQUIRED

	<h2>35-100 UPPER STRUCTURE</h2>	DATE: Revised 10-2017	CHAPTER 1
		MODEL: 35-100	
		PAGE: 18	



<u>REF</u>	<u>PART NO.</u>	<u>DESCRIPTION</u>	<u>QTY</u>
	720-01007-8 (Rev. Q)	<i>Boom/Winch/Top CYL/Guide CYL/Boom Cable Guide INSTL (White)</i>	
1	717-00052-3	Winch Installation (35-100) (see page 20)	1
2	721-00238-3	Cable Guide INSTL (see page 24)	1
3	548-00054-5	Topping Cylinder ASSY (35-100) (see page 25)	1
4	721-00244	Boom Assembly 100 FT WHT (4 Stage) (see page 28)	1
5*	508-00087-1	ATB/LMI INSTL (Greer) (see page 41)	1
6*	800-50054-3	Control Console ASSY 35-100 Series CF Winch (Gray) (see page 46)	1

* ITEM NOT SHOWN IN ILLUSTRATION

WHEN ORDERING PARTS, SPECIFY MODEL NUMBER, SERIAL NUMBER AND DESCRIPTION OF PARTS REQUIRED



**BOOM / WINCH / TOP CYL /
GUIDE CYL/BOOM CABLE GUIDE
INSTL (WHITE)**

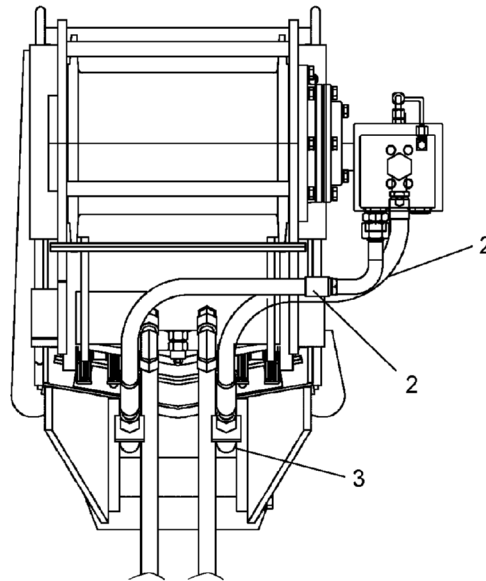
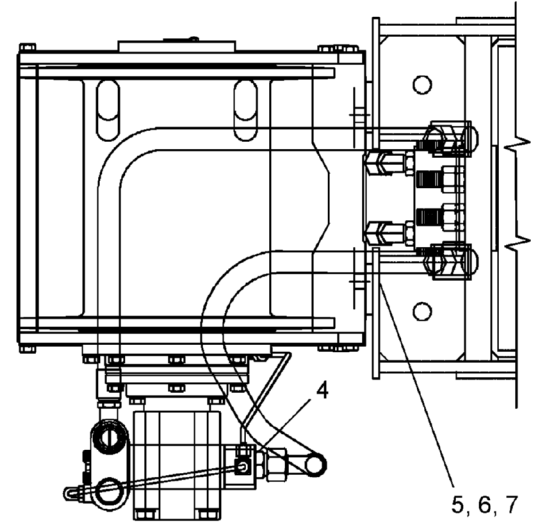
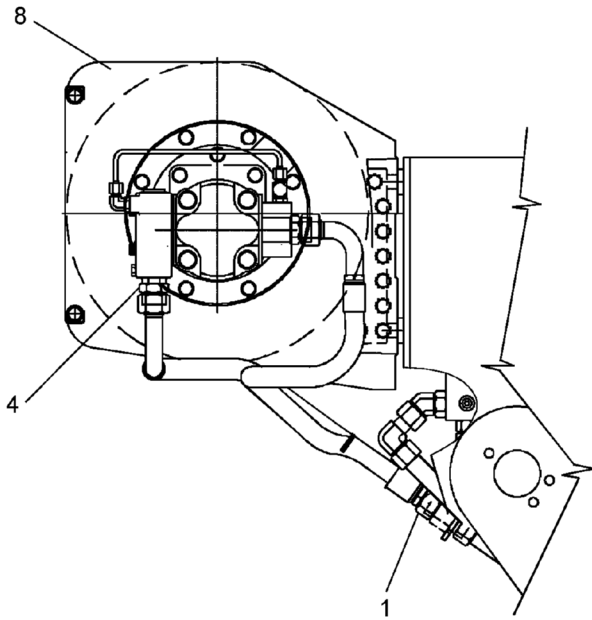
DATE: Revised 01-2015

MODEL: 35-100

PAGE: 19

CHAPTER

1



<u>REF</u>	<u>PART NO.</u>	<u>DESCRIPTION</u>	<u>QTY</u>
	717-00052-3 (Rev. H)	<i>Winch Installation (35-100)</i>	
1	518-60007	Bulkhead Union, 12WLD W/LN	2
2	502-40908	Hose ASSY, 3/4" I.D.	2
3	519-70032	Cap, 5/8" Tube F#10 OFS	2
4	513-90032	STR CONN M#16 OFS X M#16 ORB	2
5	220-07051	HHCS, 3/4-10 UNC X 2.75 LG GR8 Zinc	4
6	221-97002	Toplock Nut, 3/4-10 NC Zinc PL	4
7	222-07003	Flatwasher, 3/4 Hard Zinc PLTD	8
8	T145102	Winch ASSY W/Cover (OMNI) (see page 21)	1

WHEN ORDERING PARTS, SPECIFY MODEL NUMBER, SERIAL NUMBER AND DESCRIPTION OF PARTS REQUIRED



WINCH INSTALLATION, COMBINED FLOW

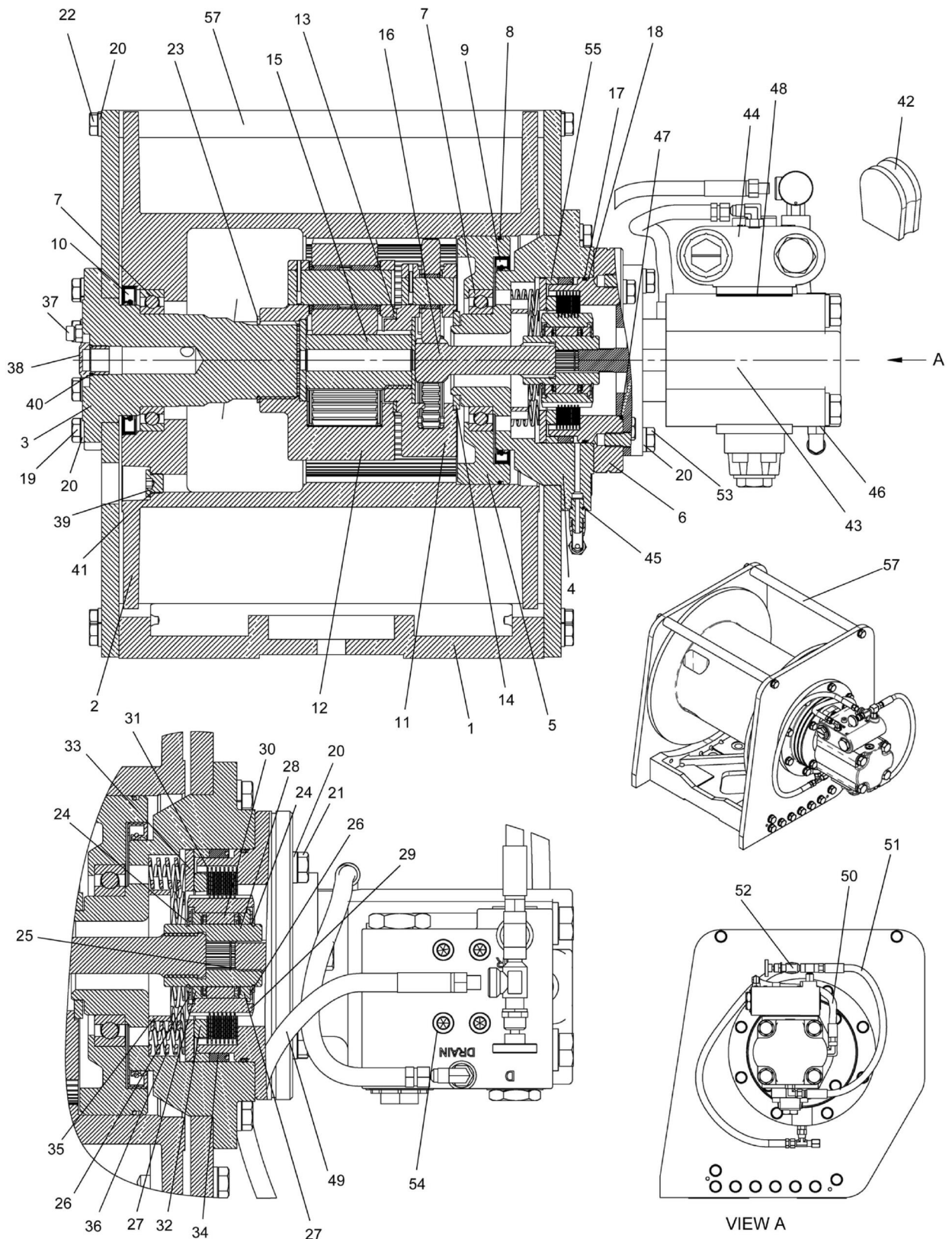
DATE: Revised 10-2017

MODEL: 35-100

PAGE: 20

CHAPTER

1



WHEN ORDERING PARTS, SPECIFY MODEL NUMBER, SERIAL NUMBER AND DESCRIPTION OF PARTS REQUIRED



WINCH ASSEMBLY, WHITE (OMNI)

DATE: Revised 10-2017

MODEL: 35-100

PAGE: 21

CHAPTER

1

<u>REF</u>	<u>PART NO.</u>	<u>DESCRIPTION</u>	<u>QTY</u>
	T145102 (Rev. A)	Winch ASSY W/Cover (OMNI)	
1	228863	Main Housing (Winch Base)	1
2	228864	Ring Gear (Cable Drum)	1
3	228865	Spindle	1
4	228866	Brake Cylinder	1
5	226064	Cable Drum Closure	1
6	228867	Motor Adapter	1
7	228868	Ball Bearing 6017	2
8	228869	O-Ring-268 AS 568A	1
9	228870	Lip Seal REF. 165X190X13	1
10	228871	Lip Seal REF. CR CRWHA1	1
11	228872	Primary Carrier SUB-Assembly	1
12	228873	Secondary Carrier SUB-Assembly	1
13	228874	Spacer Carrier 95 X 76.2 X 3	1
14	228875	Spacer Carrier 90 X 64.2 X 6	1
15	228876	Sun Gear Secondary 19 Teeth	1
16	228877	Drive Shaft 13T-Sun 14T Spline	1
17	228878	O-Ring-255	1
18	228879	Backup Ring	1
19	228880	Capscrew, 1/2"-13 UNC-32	16
20	228881	Washer, 1/2"	24
21	228882	Capscrew, 1/2"-13 UNC	4
22	228919	HEX Head Capscrew, 1/2"-13 UNC	2
23	228883	Retaining Ring External #70	1
24	228884	Retaining Ring External #45	2
25	228885	Retaining Ring Internal #19	1
26	228886	Spacer Race	2
27	228887	Bushing Outer Brake Race	2
28	228888	Inner Brake Race	1
29	228889	Outer Brake Race	1
30	228890	SPRAG CAM 1-Way Clutch	1
31	228891	Brake Pack	1
32	228892	Brake Spacer	1
33	228893	Spring Thrust Plate	1
34	228894	U-Cup Seal (Brake Cylinder)	1
35	228895	Spring Spacer	1
36	228896	Springs (Brake)	10
37	228897	Relief Valve 1/8"-27 NPT	1
38	228898	Sight Flange Plug, M27x1.5	1
39	228899	Flange Plug, M18x1.5	1
40	228900	O-Ring (REF. #-119)	1
41	228901	O-Ring (REF. #-113)	1
42	228902	Cable Wedge	1
43	228903	Hydraulic Motor	1
44	228904	Brake Valve Assembly	1
45	228905	O-Ring-904	2
46	228906	O-Ring-906	1
47	228907	O-Ring (Motor Flange)-242	1
48	228908	O-Ring (Brake Port)-219	1
49	228909	Hose Assemble-A	1

* ITEM NOT SHOWN IN ILLUSTRATION.

WHEN ORDERING PARTS, SPECIFY MODEL NUMBER, SERIAL NUMBER AND DESCRIPTION OF PARTS REQUIRED



WINCH ASSEMBLY, WHITE (OMNI)

DATE: Revised 10-2017

MODEL: 35-100

PAGE: 22

CHAPTER

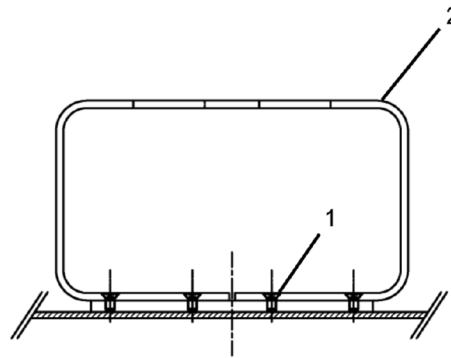
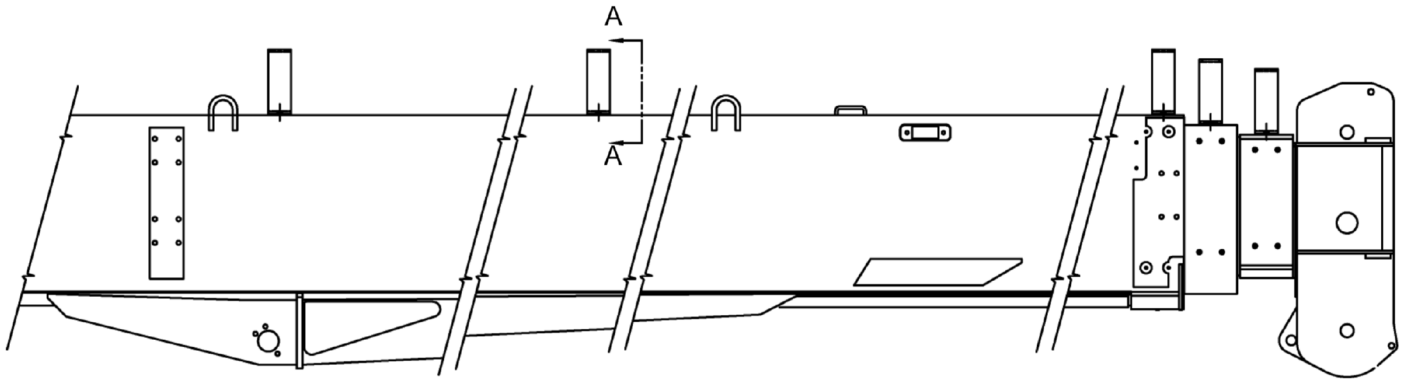
1

<u>REF</u>	<u>PART NO.</u>	<u>DESCRIPTION</u>	<u>QTY</u>
	T145102 (Rev. A)	<i>Winch ASSY W/Cover (OMNI)</i>	
50	228910	Hose Assemble-B	1
51	228911	Hose Assemble-C	1
52	228912	Tap-Valve	1
53	228913	HEX Head Capscrew, 1/2"-13UNC-38.1	2
54	228914	Socket Capscrew 3/8"-16UNC	4
55	228915	Piston Backup Ring	1
56*	228916	Tag "Warning"	1
57	228918	Connecting Rod	1
58*	228917	Wire, Length 300	1

* ITEM NOT SHOWN IN ILLUSTRATION.

WHEN ORDERING PARTS, SPECIFY MODEL NUMBER, SERIAL NUMBER AND DESCRIPTION OF PARTS REQUIRED

	WINCH ASSEMBLY, WHITE (OMNI)	DATE: Revised 10-2017	CHAPTER 1
		MODEL: 35-100	
		PAGE: 23	



SECTION A - A

<u>REF</u>	<u>PART NO.</u>	<u>DESCRIPTION</u>	<u>QTY</u>
	721-00238-3 (Rev. A)	Cable Guide INSTL	
1	220-02062	FHSCS 3/8-16NCX0.75 Zinc	20
2	729-02895	Cable Guide Top Plate	10

WHEN ORDERING PARTS, SPECIFY MODEL NUMBER, SERIAL NUMBER AND DESCRIPTION OF PARTS REQUIRED



HOIST CYLINDER INSTALLATION/CABLE GUIDE INSTALLATION

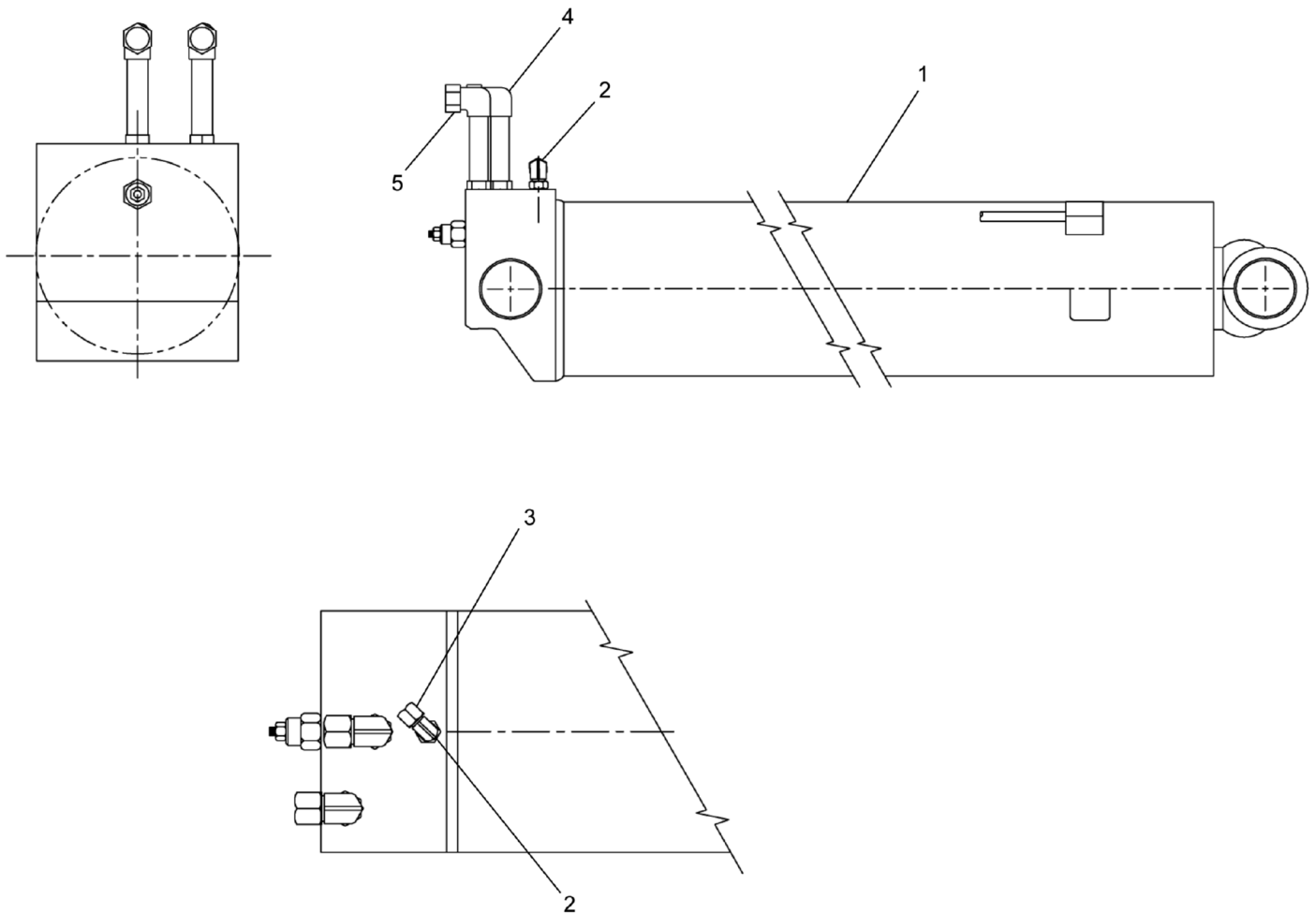
DATE: Released 10-2017

MODEL: 35-100

PAGE: 24

CHAPTER

1



<u>REF</u>	<u>PART NO.</u>	<u>DESCRIPTION</u>	<u>QTY</u>
	548-00054-5 (Rev. F)	<i>Topping Cylinder ASSY (35-100)</i>	
1	540-90099	Cylinder, Topping (see page 26)	1
2	513-20019	STR CONN M#4 OFS X M#6 ORB	1
3	519-20004	Cap, #4 OFS	1
4	513-60008	CONN. Parker #10	2
5	519-60007	Cap #10	2

WHEN ORDERING PARTS, SPECIFY MODEL NUMBER, SERIAL NUMBER AND DESCRIPTION OF PARTS REQUIRED



TOPPING CYLINDER ASSEMBLY

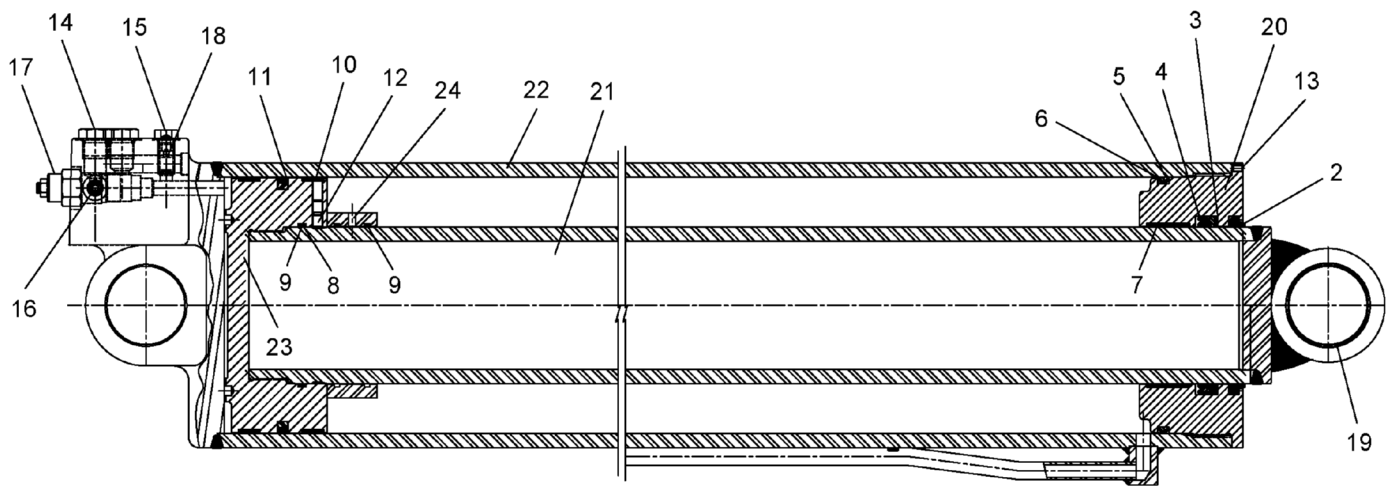
DATE: Revised 01-2015

MODEL: 35-100

PAGE: 25

CHAPTER

1



WHEN ORDERING PARTS, SPECIFY MODEL NUMBER, SERIAL NUMBER AND DESCRIPTION OF PARTS REQUIRED



CYLINDER, TOPPING

DATE: Revised 10-2017

MODEL: 35-100

PAGE: 26

CHAPTER

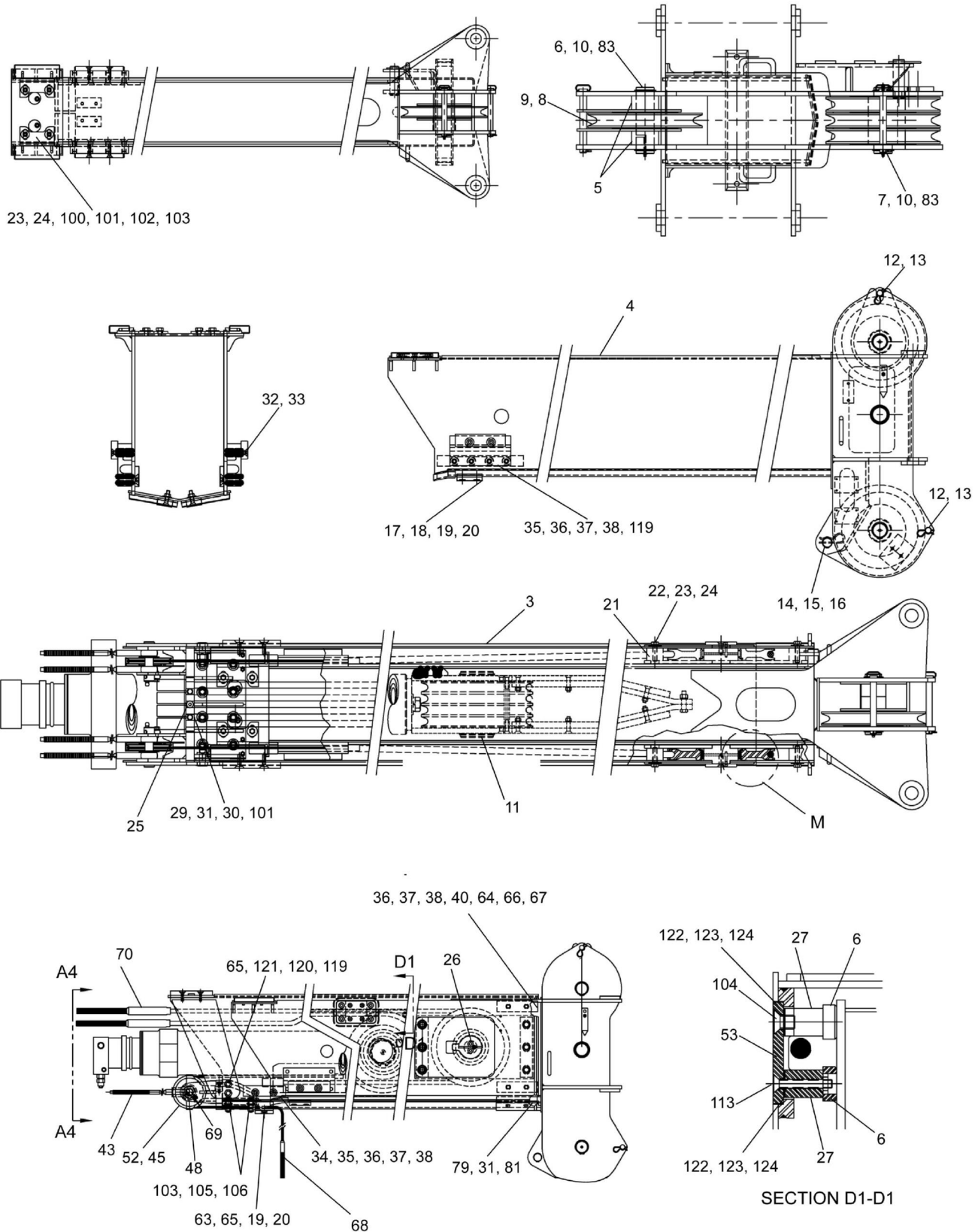
1

<u>REF</u>	<u>PART NO.</u>	<u>DESCRIPTION</u>	<u>QTY</u>
	540-90099 (Rev. B)	<i>Cylinder, Topping</i>	
1*	229140	Seal Kit	1
2	229141	Wiper 5.500R .375CS	1
3	229142	UCB 5.500R .375CS .098	1
4	216806	UCUP 5.500R .375CS .625 Z	1
5	221775	Backup 446 9.000 1758	1
6	221774	ORing 446 9.00D 70N .250CS	1
7	216732	WRing 5.750 5.500 .750 BC	2
8	229143	Backup 254 5.750 5.500 1758	2
9	221097	ORing 254 5.7500D 70N .125CS	3
10	221766	WRing 9.000 8.750 1.000 BC	2
11	229144	Seal Piston 9.000 Type AQ BUNA	1
12	229145	SHSS .375-16 X .500L	4
13	222472	SHSS .250-20 .375 Cup NYLOK	2
14	229146	Plug SAE 10 .875-14 HH STL	2
15	223271	Plug SAE 6 .563-18 HH STL	1
16	222055	Plug SAE 4 .438-20 SH STL	2
17	229147	Valve CBAL CBEA-LHN 3900	1
18	229148	Valve HYCON Velocity Fuse	1
19	223268	Bush 2.750 2.938 2.750 FG	4
20	229149	Head Glade	1
21	229150	Rod Weldment	1
22	229151	Case Weldment	1
23	229152	Piston	1
24	229153	Spacer S 5.530 6.500 1.750	1

* ITEM NOT SHOWN IN ILLUSTRATION

WHEN ORDERING PARTS, SPECIFY MODEL NUMBER, SERIAL NUMBER AND DESCRIPTION OF PARTS REQUIRED

	<h1>CYLINDER, TOPPING</h1>	DATE: Revised 10-2017	CHAPTER 1
		MODEL: 35-100	
		PAGE: 27	



WHEN ORDERING PARTS, SPECIFY MODEL NUMBER, SERIAL NUMBER AND DESCRIPTION OF PARTS REQUIRED



BOOM ASSEMBLY W/INTERNAL LMI - 4 STAGE (100FT, WHITE)

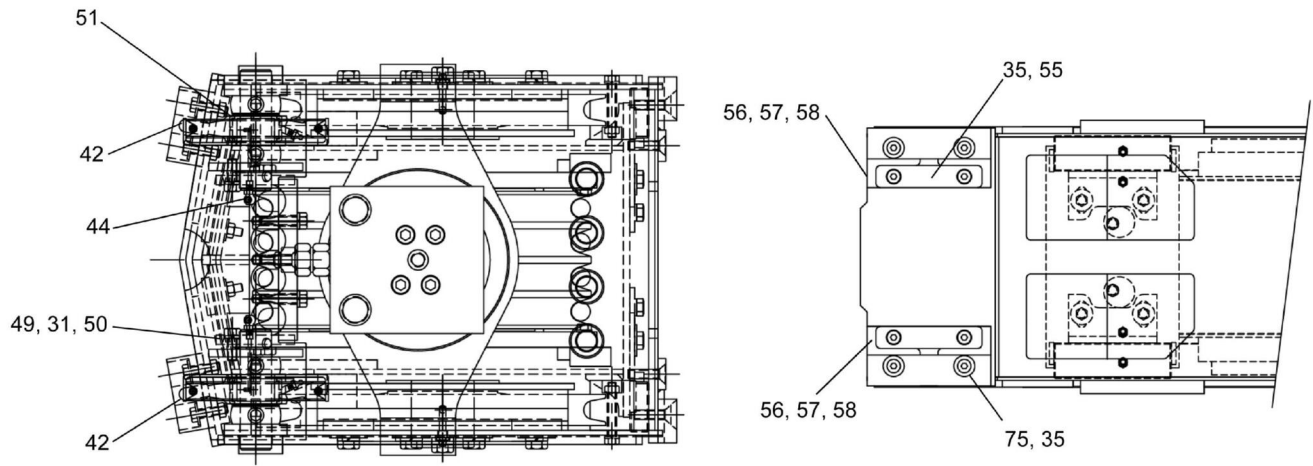
DATE: Revised 06-2016

MODEL: 35-100

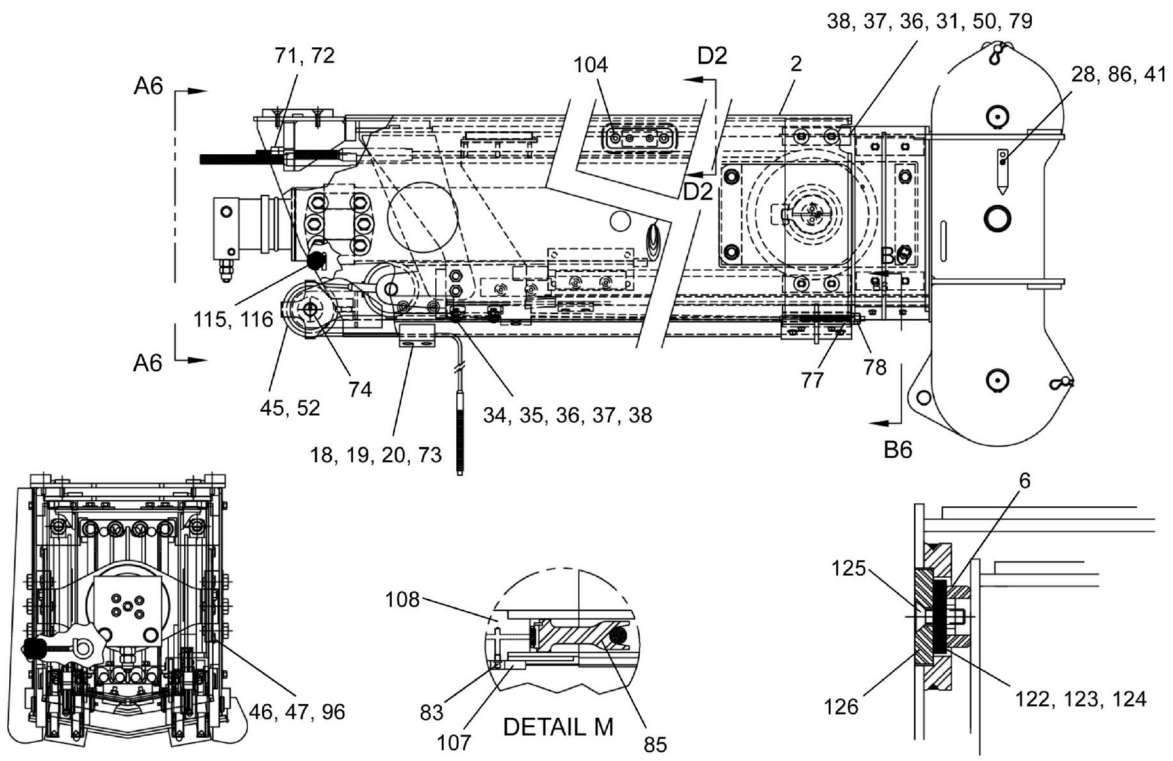
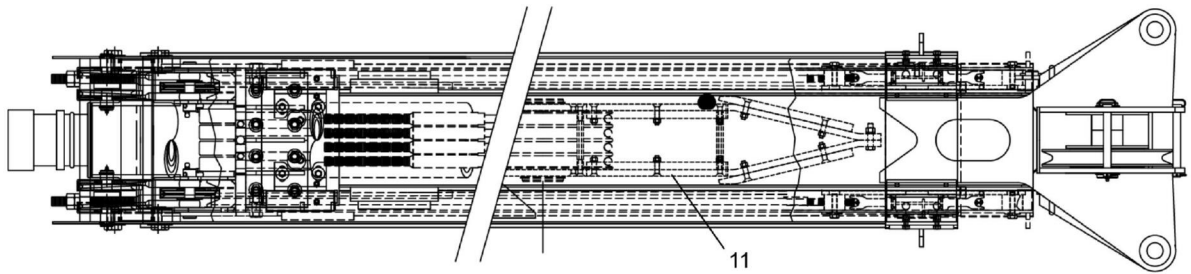
PAGE: 28

CHAPTER

1



VIEW A4



SECTION D2 - D2

WHEN ORDERING PARTS, SPECIFY MODEL NUMBER, SERIAL NUMBER AND DESCRIPTION OF PARTS REQUIRED



**BOOM ASSEMBLY W/INTERNAL
LMI - 4 STAGE (100FT, WHITE)**

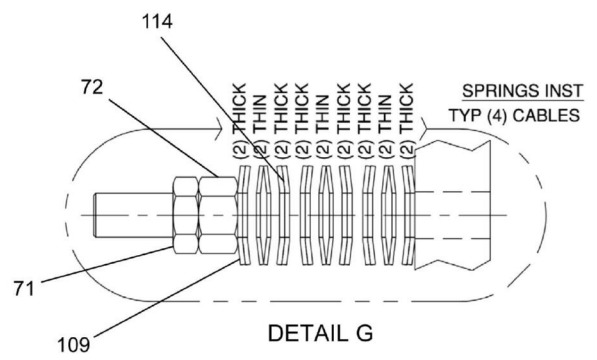
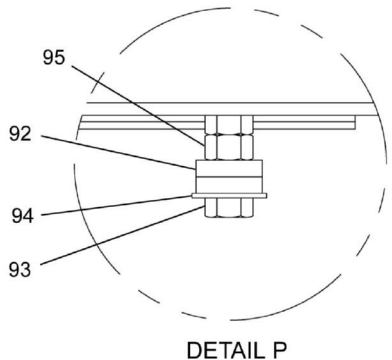
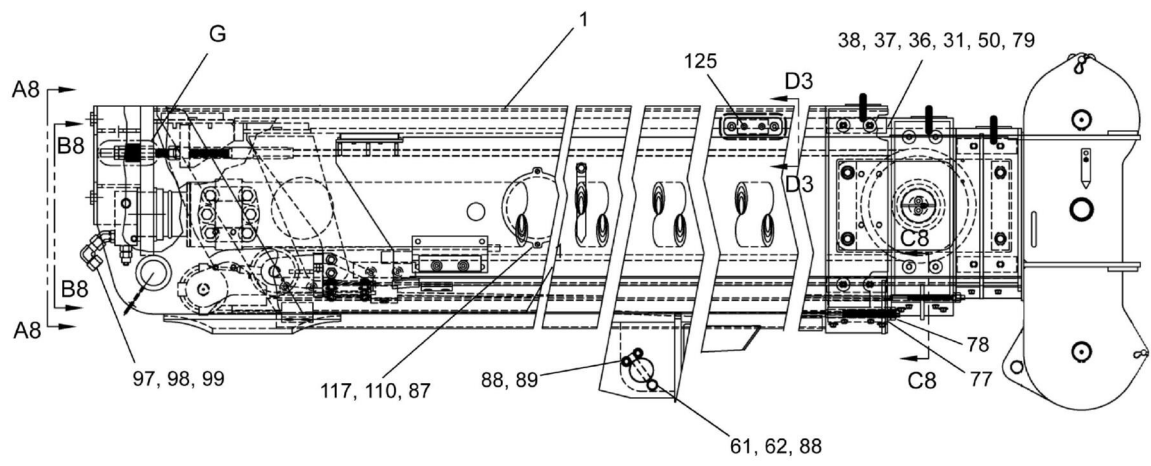
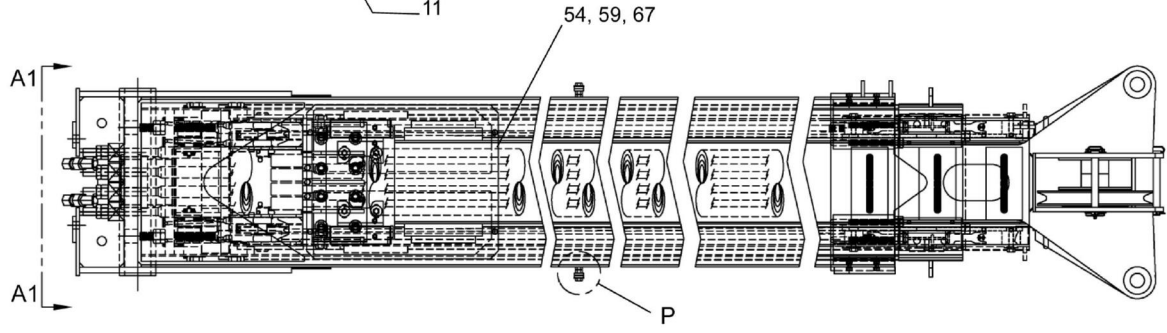
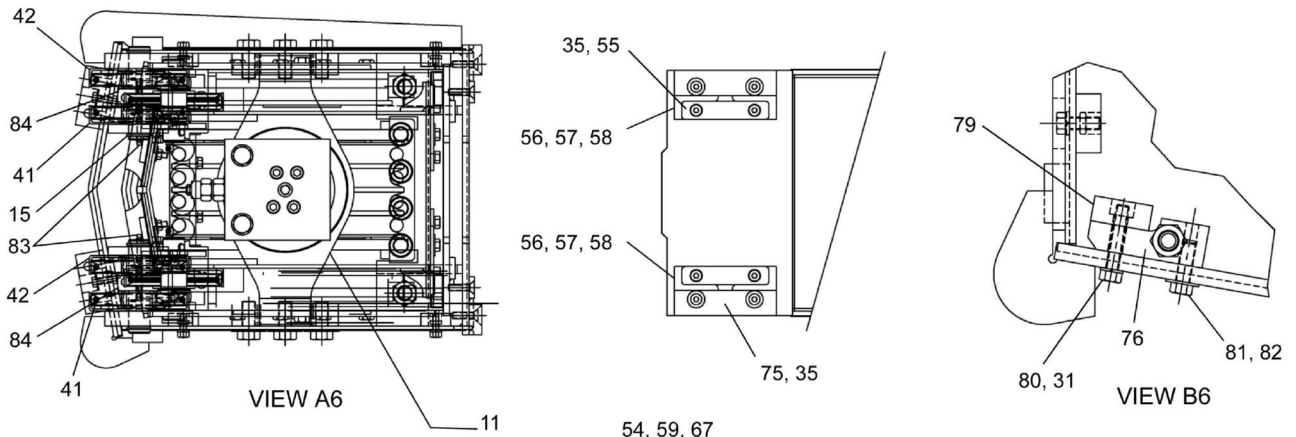
DATE: Revised 06-2016

MODEL: 35-100

PAGE: 29

CHAPTER

1



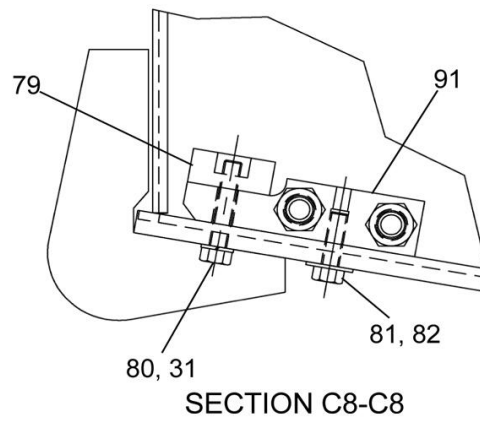
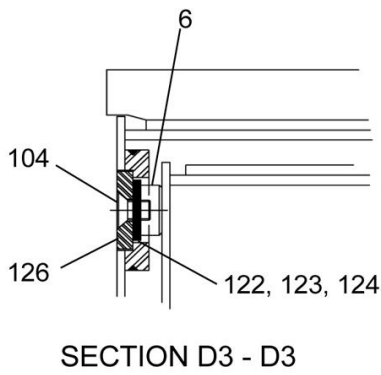
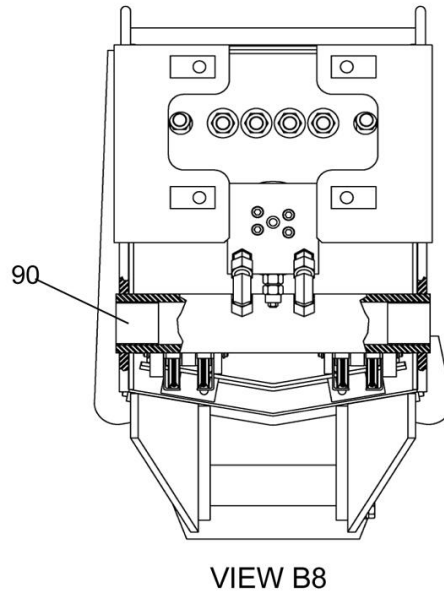
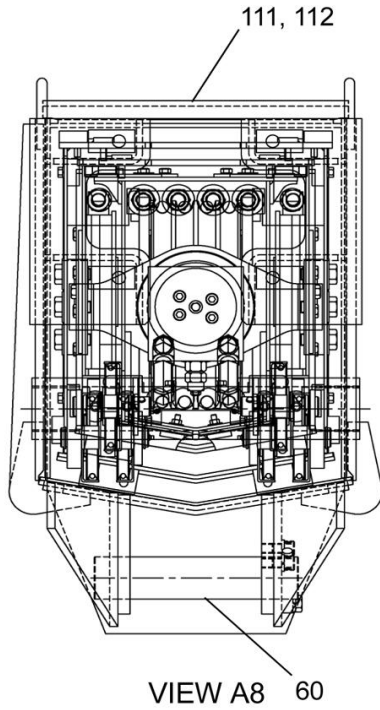
WHEN ORDERING PARTS, SPECIFY MODEL NUMBER, SERIAL NUMBER AND DESCRIPTION OF PARTS REQUIRED



BOOM ASSEMBLY W/INTERNAL LMI - 4 STAGE (100FT, WHITE)

DATE: Revised 06-2016
 MODEL: 35-100
 PAGE: 30

CHAPTER
1



WHEN ORDERING PARTS, SPECIFY MODEL NUMBER, SERIAL NUMBER AND DESCRIPTION OF PARTS REQUIRED



**BOOM ASSEMBLY W/INTERNAL
LMI - 4 STAGE (100FT, WHITE)**

DATE: Revised 06-2016

MODEL: 35-100

PAGE: 31

CHAPTER

1

REF	PART NO.	DESCRIPTION	QTY
	721-00244 (Rev. J)	<i>Boom Assembly 100 FT WHT (4 Stage)</i>	
1	722-01374	Weldment, Base Boom (White)	1
2	722-01351	Weldment, 2nd Stage Boom (Gray)	1
3	722-01352	Weldment, 3rd Stage Boom (Gray)	1
4	722-01350	Weldment, 4th Stage Boom (Gray)	1
5	729-02663	Weldment, Spacer Boom Tip (Gray)	2
6	729-02619	Wear Pad, 2 Hole W/Polysert (2-765)	8
7	870-60214	Pin, Sheave 2" DIA	2
8	860-70008	ASSY, Sheave 5/8" DIA Cable	4
9	274-30006	Bearing Inner Race (3-767)	4
10	200-30006	Retaining Ring, TRUARC (3-784)	4
11	548-00057	ASSY, EXT. Cylinder 48', Long Ramp BRKT (see page 35)	1
12	PHP-120XA91-20	Pin, CTRHAIR 0.120 X 1.91 X 0.41, ST SQC	2
13	870-10214	Clevis Pin 3/4 DIA X 7" LG	2
14	870-30200	Pin, AUX. Sheave 1-1/4 DIA	1
15	200-10013	Retaining Ring, DIA 1 1/4 (3-784)	5
16	PHP-178XC75-20	Pin, CTRHAIR 0.178 X 3.75 X 1.03, ST SQC	1
17	729-02170	Wear Pad-1/2 THK. (2-761)	2
18	SHF-312CA25-25	SCR, HHCS FT 0.312-18 X 1.25, ST SQC G5	12
19	NYL-312C000-25	Nut, HEX NYL-INS 0.312-18, ST SQC G5	4
20	WBR-31RX875-20	WSH, FL TYPB-REG 0.3125, ST SQC	16
21	770-02677	Weldment, Sheave Support 3Rd	2
22	SHF-500CB00-25	SCR, HHCS FT 0.50-13 X 2.00, ST SQC G5	10
23	W07-500X000-20	WSH, LCK, MED SPLT 0.50, ST SQC	28
24	WBR-50RXA37-20	WSH, FL TYPB-REG 0.50, ST SQC	14
25	S16-375CA00-20	SCR, FSHCS 0.375-16 X 1.00, ST SQC	1
26	S16-500CA25-28	SCR, FSHCS 0.50-13 X 1.25, ST SQC C8.8	4
27	003-20007	Bar, Wear Pad Mount	4
28	WBR-375RXA00-20	WSH, FL TYPB-REG 0.375, ST Z	4
29	783-03551	Bar, Retaining Anchor 3rd Stage	1
30	SHF-375CA00-Y8	SCR, HHCS FT 0.375-16 X 1.00, ST SQC G8	2
31	W07-375X000-20	WSH, LCK, MED SPLT 0.375, ST Z	32
32	783-03705	Bar, Cable Anchor 4th Stage	2
33	S16-625CB00-20	SCR, FSHCS 0.625-11 X 2.00, ST SQC	8
34	729-02236	Wear Pad 1 3/4 X 7 CSK (2-802)	4
35	S16-375CA25-20	SCR, FSHCS 0.375-16 X 1.25, ST SQC	20
36	787-00238	Shim .040 X 1 3/4 X 6 3/4 (2-817)	20
37	787-00239	Shim .063 X 1 3/4 X 6 3/4 (2-817)	20
38	787-00240	Shim .100 X 1 3/4 X 6 3/4 (2-817)	20
39*	S16-375C750-20	SCR, FSHCS 0.375-16 X 0.75, ST SQC	4
40	WAH-31NX000-Y2	WSH, FL HRD A-NRW 0.3125, ST Z	8
41	729-02579	Angle Pointer	2
42	729-02659	Plate, Cable Retainer RET. L.H. 3rd	6
43	861-13020	ASSY, Wire Rope 5/16" DIA RET. 3rd	4
44	501-03007	Fitting, Lube 90°	2
45	860-10009	ASSY, Sheave 5/16" Cable (see page 39)	6
46	SHF-750CA75-Y8	SCR, HHCS FT 0.75-10 X 1.75, ST SQC G8	12
47	WAH-75NX000-Y2	WSH, FL HRD A-NRW 0.75, ST YZ	12
48	870-30210	Pin, Retract Sheave 3rd Stage	2
49	224-23008	Rod End 3/8" DIA X 2" LG	2

* ITEM NOT SHOWN IN ILLUSTRATION

WHEN ORDERING PARTS, SPECIFY MODEL NUMBER, SERIAL NUMBER AND DESCRIPTION OF PARTS REQUIRED



BOOM ASSEMBLY W/INTERNAL LMI - 4 STAGE (100FT, WHITE)

DATE: Revised 06-2016

MODEL: 35-100

PAGE: 32

CHAPTER

1

REF	PART NO.	DESCRIPTION	QTY
	721-00244 (Rev. J)	<i>Boom Assembly 100 FT WHT (4 Stage)</i>	
50	SHF-375CA00-25	SCR, HHCS FT 0.375-16 X 1.00, ST SQC G5	18
51	222-29004	Bushing, MCH 1.25 ID X 1.875 OD	6
52	274-20004	Bearing, Roller Inner Race (3-767)	6
53	802-01608	Cover, Adjustable Wear Pad	2
54	729-02798	Plate, Cover Base Boom	1
55	783-03524	Bar, Mounting Anti-Shift Wear Pad	4
56	787-00308	Shim, Wear Pad .040 (2-1170)	4
57	787-00309	Shim, Wear Pad .063 (2-1170)	4
58	787-00310	Shim, Wear Pad .100 (2-1170)	4
59	SHF-312C625-25	SCR, HHCS FT 0.312-18 X 0.625, ST SQC G5	4
60	870-80019	Pin, 2 3/4 DIA X 13 5/8 LG (3-852)	1
61	224-26005	Pin, Rod End 5/8 DIA X 4 1/4 LG (2-754)	1
62	S01-625CA50-25	SCR, HHCS 0.625-11 X 1.50, ST SQC G5	1
63	729-02311	Guide, Cable Retract 3rd Stage	2
64	729-02759	Wear Pad 1-3/4 X 6 - 3/4 X 2 W/Polysert	4
65	W07-750X000-20	WSH, LCK, MED SPLT 0.75, ST SQC	4
66	SHF-312CA00-25	SCR, HHCS FT 0.312-18 X 1.00, ST SQC G5	8
67	W07-312X000-20	WSH, LCK, MED SPLT 0.3125, ST SQC	12
68	861-13019	ASSY, Wire Rope 5/16" DIA RET. 4th	2
69	725-00159	Cable Anchor EXT/RET	1
70	861-17046	ASSY, Wire Rope 3/4" DIA EXT. 4TH	2
71	N05-875F000-25	Nut, HEX JAM 0.875-14, ST SQC G5	6
72	N04-875F000-25	Nut, HEX 0.875-14, ST SQC G5	6
73	729-02310	Guide, Cable Retract 2nd	2
74	870-30208	Pin, Retract Sheave 2nd Stage	2
75	729-02335	Wear Pad Anti-Shift 2nd (2-840)	4
76	780-00280	Block, Support Retract Cable 4th	2
77	N05-625C000-25	Nut, HEX JAM 0.625-11, ST SQC G5	6
78	N04-625C000-25	Nut, HEX 0.625-11, ST SQC G5	6
79	729-02235	Wear Pad, 2 Hole W/POLYSERT (2-803)	14
80	S01-375CB00-25	SCR, HHCS 0.375-16 X 2.00, ST SQC G5	8
81	SHF-375CA25-25	SCR, HHCS 0.375-16 X 1.25, ST Z GR5	12
82	WAH-37NX000-Y2	WSH, FL HRD A-NRW, 0.375, ST Z	8
82	WAH-37NX000-Y2	WSH, FL HRD A-NRW, 0.375, ST Z	8
83	501-03001	Fitting, Lube Straight 1/4 -28 UNF	4
84	031-40229	Spacer, Retract Sheave 2nd (3-88)	2
85	T140282	Sheave ASSY Cast Steel 0.75 Rope (see page 40)	2
86	NYL-375C000-25	Nut, HEX NYL-INS 0.375-16, ST SQC G5	2
87	W07-250X00-20	WSH, LCK MED SPLT 0.25, ST Z	4
88	W07-625X000-20	WSH, LCK, MED SPLT 0.625, ST SQC	3
89	S14-625C750-H2	WSH, LCK, MED SPLT 0.625, ST SQC	2
90	271-18002	Bushing, Hinge Pin (3-772)	2
91	780-00279	Block, Support Retract Cable 3rd	2
92	729-02578	ASSY, Angle Pointer	2
93	SHF-438CA25-25	SCR, HHCS FT 0.438-14 X 1.25, ST SQC G5	2
94	WBR-43RXA12-20	WSH, FL TYPB-REG 0.4375, ST SQC	2
95	N04-438C000-25	Nut, HEX 0.4375-14, ST SQC G5	2
96	781-00188	Boss, Support EXT. Cylinder Trunnion	2
97	515-07002	45° Elbow, M#10 OFS X M#12 ORB	2

* ITEM NOT SHOWN IN ILLUSTRATION

WHEN ORDERING PARTS, SPECIFY MODEL NUMBER, SERIAL NUMBER AND DESCRIPTION OF PARTS REQUIRED



BOOM ASSEMBLY W/INTERNAL LMI - 4 STAGE (100FT, WHITE)

DATE: Revised 06-2016

MODEL: 35-100

PAGE: 33

CHAPTER

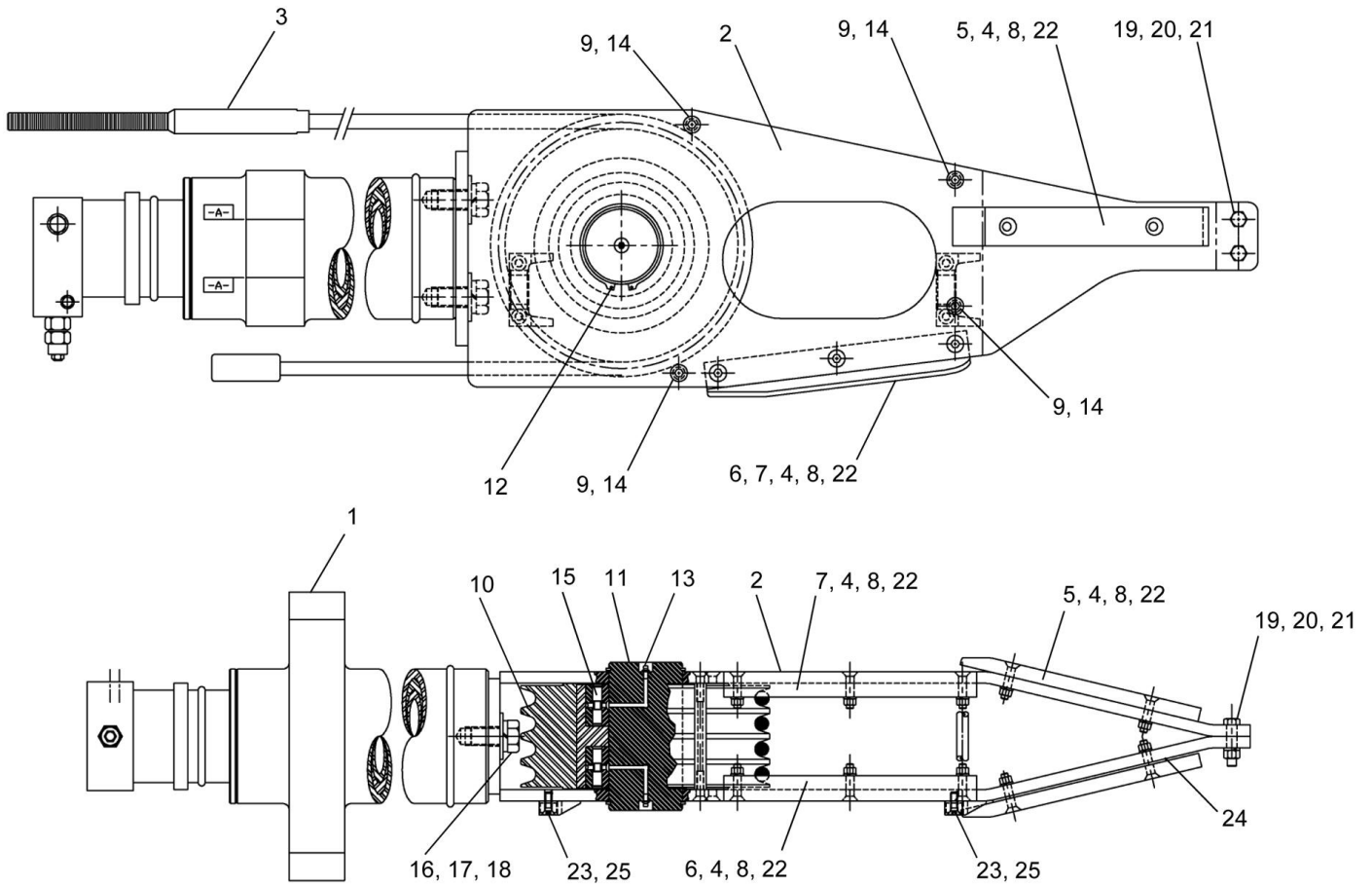
1

<u>REF</u>	<u>PART NO.</u>	<u>DESCRIPTION</u>	<u>QTY</u>
	721-00244 (Rev. J)	<i>Boom Assembly 100 FT WHT (4 Stage)</i>	
98	514-67004	90° Elbow, M#10 OFS X F#10 OFS	2
99	519-70032	Cap, 5/8" Tube F#10 OFS	2
100	729-02693	Wear Pad, 6 3/8 X 2 X 3/4	2
101	709F6311	Bracket, Wear Pad	2
102	709-6310	Eccentric, Wear Pad Adjust	2
103	SHF-500C750-25	SCR, HHCS FT 0.50-13 X 0.75, ST SQC G5	10
104	S16-500C750-20	SCR, FSHCS 0.50-13 X 0.75, ST SQC	16
105	WBR-50XRA37-20	WSH, FL TYPB-REG 0.50, ST Z	8
106	NYL-500C000-Y8	Nut, HXE NYL-INS 0.50-13, ST SQC G8	8
107	729-02767	Plate, Sheave Pin Retainer 3rd Stage	2
108	870-90042	Pin, 3rd STG 4th Extend	2
109	WBS-875X098-E1	WSH, Belleville 7/8 X .098 THK S.S. 301/302	48
110	SL5-250C500-20	SCR-CR RND MS 0.25-20 X 0.50, ST SQC	4
111	729-02348	Wear Pad-2 Hole (3-142)	1
112	S16-375C875-20	SCR, FSHCS 0.375-16 X 0.875, ST SQC	2
113	S16-312CB12-20	SCR, FSHCS 0.312-18 X 2.125, ST SQC	8
114	WBS-875X079-E1	Washer, Belleville 7/8 X .079 S.S. 301/302	24
115	865-00028	Internal LMI Cable Eyelet	1
116	N04-375C000-25	Nut, HEX 0.375-16 ST Z GR5	2
117	802-01572	Cover, Base Boom Access Hole (White)	2
118*	224-16012	Coiled Spring Pins 1/4 X 2 Heavy Duty	6
119	729-02713	Wear Pad 1 3/4 X 7 CSK (2-802)	2
120	N04-750C000-25	Nut, HEX 0.75-10, ST SQC G5	4
121	S01-750CB50-Y8	SCR, HHCS 0.75-10X2.50, ST SQC G8	4
122	787-00316	Shim, Wear Pad 0.060 THK (2-817)	18
123	787-00317	Shim, Wear Pad 0.040 THK (2-817)	6
124	787-00318	Shim, Wear Pad 0.010 THK (2-817)	6
125	S16-312CA00-20	SCR, FSHCS 0.312-18 X 1.00, ST SQC	8
126	802-01607	Cover, Adjustable Wear Pad	4

* ITEM NOT SHOWN IN ILLUSTRATION

WHEN ORDERING PARTS, SPECIFY MODEL NUMBER, SERIAL NUMBER AND DESCRIPTION OF PARTS REQUIRED

	BOOM ASSEMBLY W/INTERNAL LMI - 4 STAGE (100FT, WHITE)	DATE: Revised 06-2016	CHAPTER 1
		MODEL: 35-100	
		PAGE: 34	



WHEN ORDERING PARTS, SPECIFY MODEL NUMBER, SERIAL NUMBER AND DESCRIPTION OF PARTS REQUIRED



EXTENSION CYLINDER ASSEMBLY - 48'

DATE: Revised 09-2011

MODEL: 35-100

PAGE: 35

CHAPTER

1

<u>REF</u>	<u>PART NO.</u>	<u>DESCRIPTION</u>	<u>QTY</u>
	548-00057 (Rev. C)	ASSY, EXT. Cylinder 48', Long Ramp BRKT	
1	540-80081	Extension Cylinder (Seabee) (see page 37)	1
2	777-00108	Weldment, Sheave Bracket	1
3	861-17052	ASSY, Wire Rope 3/4" DIA	4
4	223-00420	FHSCS 3/8-16 X 2" LG PL	10
5	100-30043	Casting, Wear Pad Sides	2
6	100-30042	Casting, Slide C.S. Bottom	1
7	100-30041	Casting, Slide S.S. Bottom	1
8	221-02001	Nut 3/8-16	10
9	782-01703	Tube, Spacer	4
10	860-60015	Sheave Assembly, 4 Rope 3/4" DIA	1
11	870-80012	Pin, Sheave	1
12	200-50008	Retaining Ring Truarc (3-766)	2
13	501-03001	Fitting, Lube Straight 1/4 -28 UNF	2
14	223-00405	FLT SH Screw, 3/8NCX11/2LG PL	8
15	274-80001	Bearing, Inner Race (McGill)	2
16	220-09011	HHCS 1-8 UNCX 2 LG GR5	2
17	222-09004	Washer, Flat 1" Plated	2
18	222-19001	Washer, Lock 1" Plated	2
19	220-04006	HHCS 1/2NCX2 1/4LG GR5 PLT	2
20	222-14001	Lock Washer, 1/2 MED PLT	2
21	221-04001	Nut HEX 1/2-13NC PLTD	2
22	222-12001	Lock Washer 3/8	10
23	729-02821	LMI Cable Guide	2
24	787-00757	Shim, EXT CYL Wear Pad	1
25	223-00412	FSHCS 3/8-16X1.25" LG	4

WHEN ORDERING PARTS, SPECIFY MODEL NUMBER, SERIAL NUMBER AND DESCRIPTION OF PARTS REQUIRED



EXTENSION CYLINDER ASSEMBLY - 48'

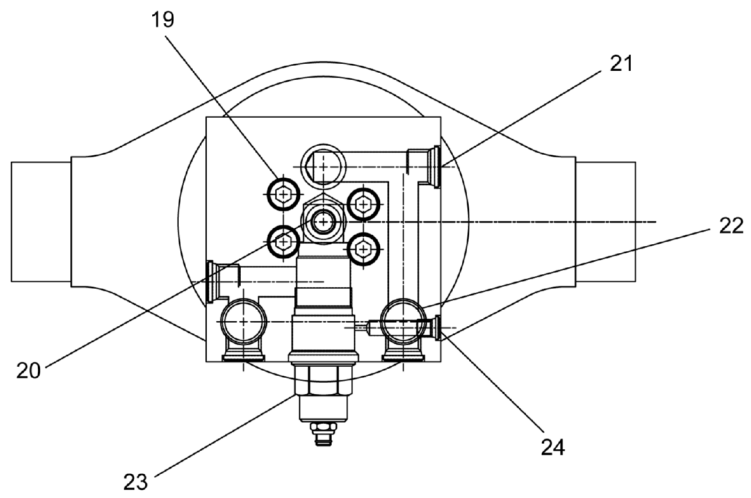
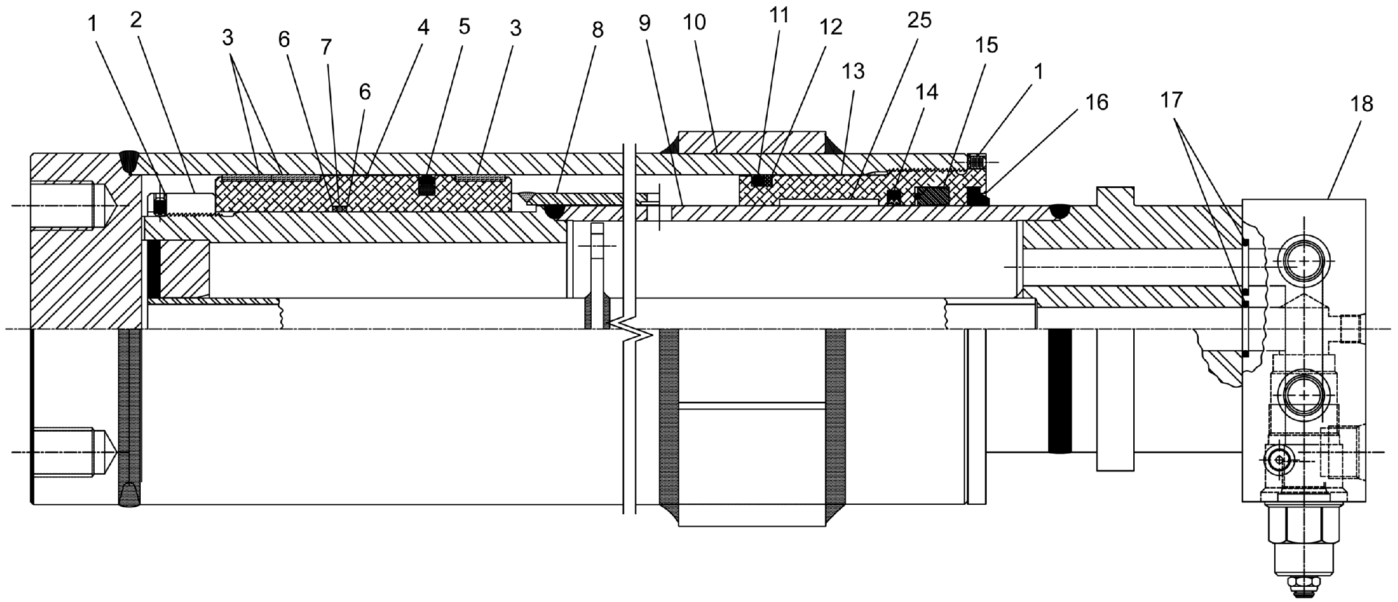
DATE: Revised 09-2011

MODEL: 35-100

PAGE: 36

CHAPTER

1



WHEN ORDERING PARTS, SPECIFY MODEL NUMBER, SERIAL NUMBER AND DESCRIPTION OF PARTS REQUIRED



EXTENSION CYLINDER (SEABEE)

DATE: Released 05-2018
 MODEL: 35-100
 PAGE: 37

CHAPTER
1

<u>REF</u>	<u>PART NO.</u>	<u>DESCRIPTION</u>	<u>QTY</u>
	540-80081 (Rev. 00)	<i>Extension Cylinder (Seabee)</i>	
	230146	Seal Kit SPEC. Soft	1
1	222472	SHSS .250-20 .375 Cup NYLOK	4
2	230147	Nut Ring S 4.688-12 B 5.500 1.	1
3	216227	Wring 6.250 6.000 1.000 BC	3
4	230148	Piston S 6.299 4.755 6.000 AL	1
5	221072	Seal Piston 6.250 GLYD Ring T	1
6	230149	Backup 248 5.000OD 4.750ID	2
7	230150	ORing 248 5.000OD 70 N .125CS	1
8	230151	Spacer Weld S 4.760 5.500 8.81	1
9	230152	Rod Assembly	1
10	230153	Case Weld S 6.250 299.438	1
11	221079	ORing 435 6.250OD 70 N .250CS	1
12	221078	Backup 435 6.250 1758	1
13	230154	Head S 6.250 5.000 5.000 AL	1
14	223997	Seal Rod 5.000R RSC30500	1
15	221076	UCup 5.000R .375CS .625 DZ	1
16	221077	Wiper 5.000R .375CS DX	1
17	226892	Oring 212 1.125OD 70 N .125CS	2
18	230155	Valve Block S 5.875 6.125 2.50	1
19	226894	SHCS .500-13 3.000 GR8	4
20	216550	Plug SAE 6 .563-18 SH STL	1
21	221082	Plug SAE 10 .875-14 SH STL	4
22	230156	Plug SAE 12 1.063-12 SH STL	2
23	221080	CAGA - LHN @4000 PSI	1
24	222055	Plug SAE 4 .438-20 SH STL	1
25	230157	Wring 5.250 5.000 1.000	2

WHEN ORDERING PARTS, SPECIFY MODEL NUMBER, SERIAL NUMBER AND DESCRIPTION OF PARTS REQUIRED



EXTENSION CYLINDER (SEABEE)

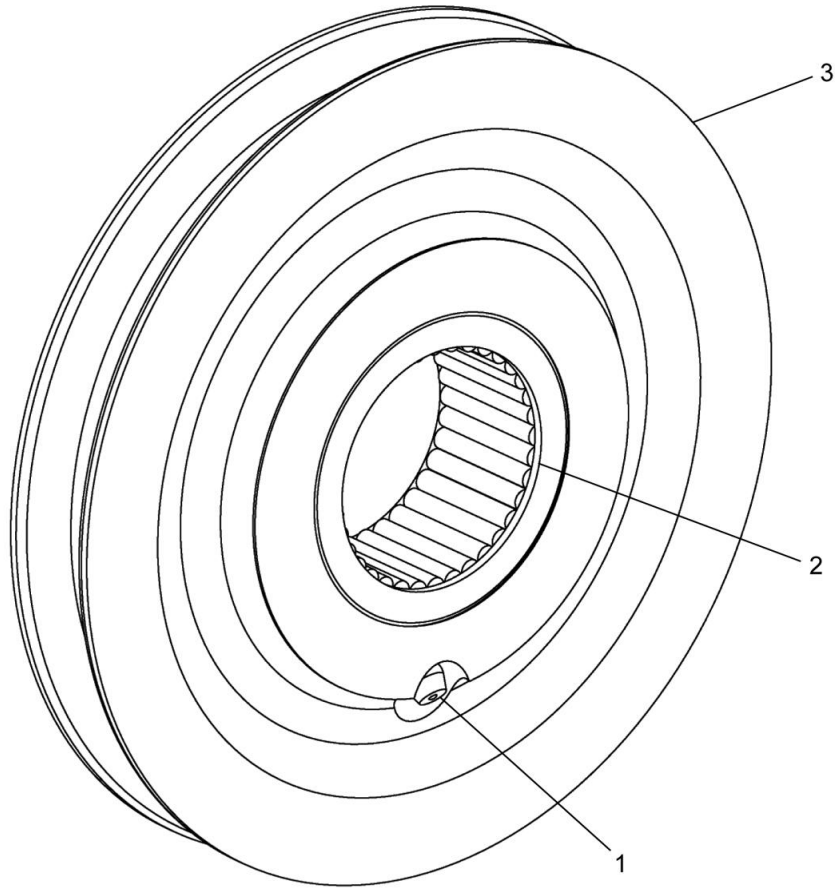
DATE: Released 05-2018

MODEL: 35-100

PAGE: 38

CHAPTER

1



<u>REF</u>	<u>PART NO.</u>	<u>DESCRIPTION</u>	<u>QTY</u>
	860-10009 (Rev. C)	ASSY, Sheave 5/16" Cable	
1	1213-07	Grease FTG, ZERK, 0.25-28 STR	1
2	273-10007	Roller BRG Outer Race	1
3	860-10010	Sheave 5.50 OD X 7.50	1

WHEN ORDERING PARTS, SPECIFY MODEL NUMBER, SERIAL NUMBER AND DESCRIPTION OF PARTS REQUIRED



SHEAVE ASSEMBLY, BOOM RETRACT

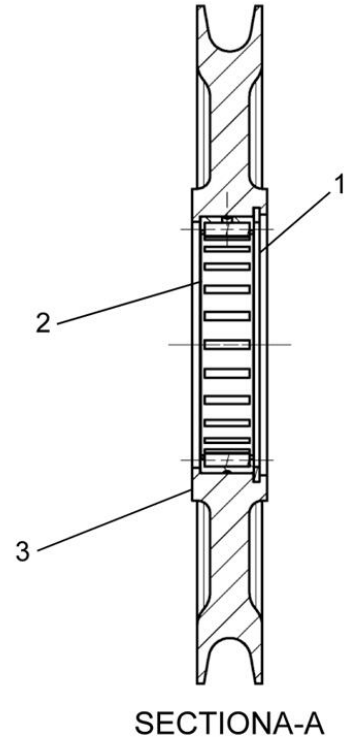
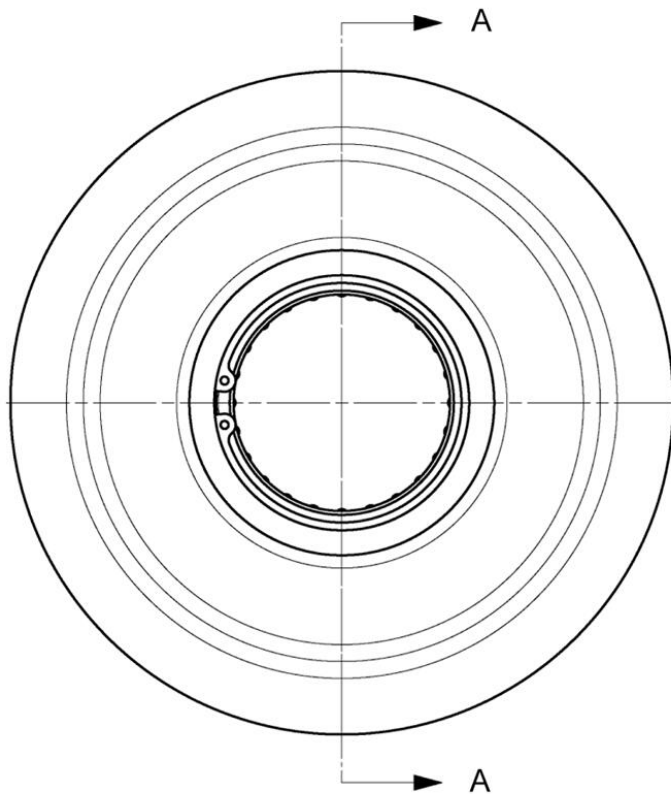
DATE: Released 11-2011

MODEL: 35-100

PAGE: 39

CHAPTER

1



<u>REF</u>	<u>PART NO.</u>	<u>DESCRIPTION</u>	<u>QTY</u>
	T140282 (Rev. 00)	Sheave ASSY Cast Steel 0.75 Rope	
1	200-90001	Internal Retaining Ring For 5" BO.....	1
2	273-00004	Needle Bearing 15mm X 26mm Wide	1
3	860-60016	Sheave, 0.75 DIA Rope, Steel	1

WHEN ORDERING PARTS, SPECIFY MODEL NUMBER, SERIAL NUMBER AND DESCRIPTION OF PARTS REQUIRED



SHEAVE ASSEMBLY

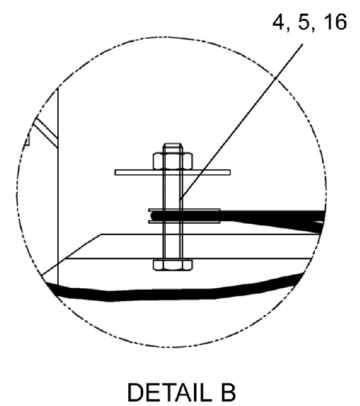
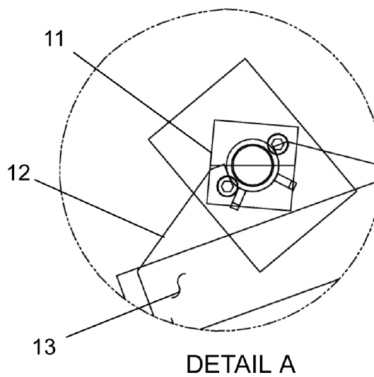
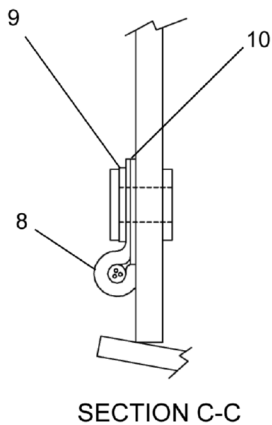
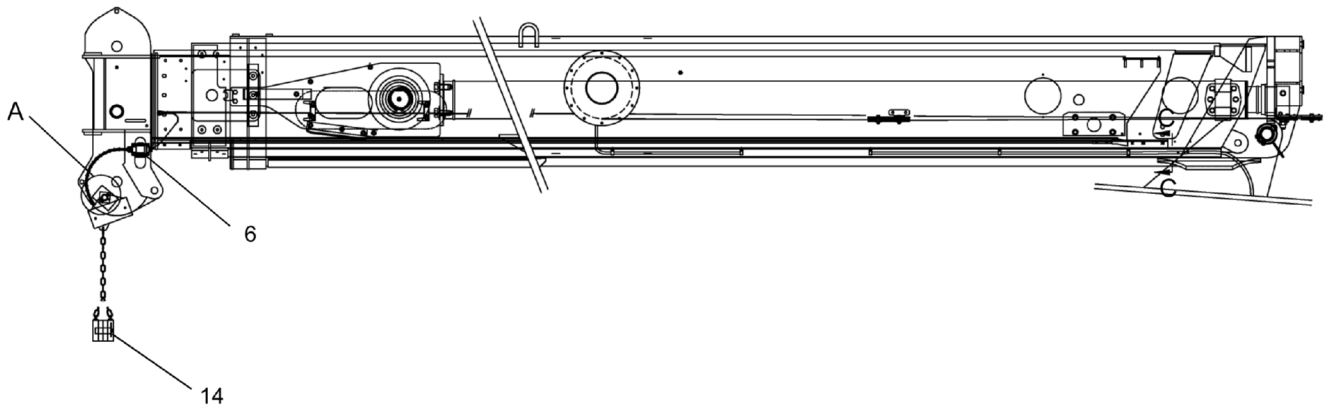
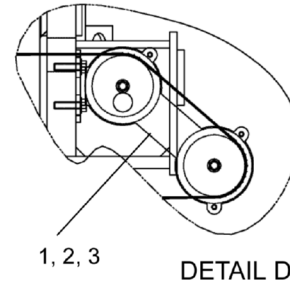
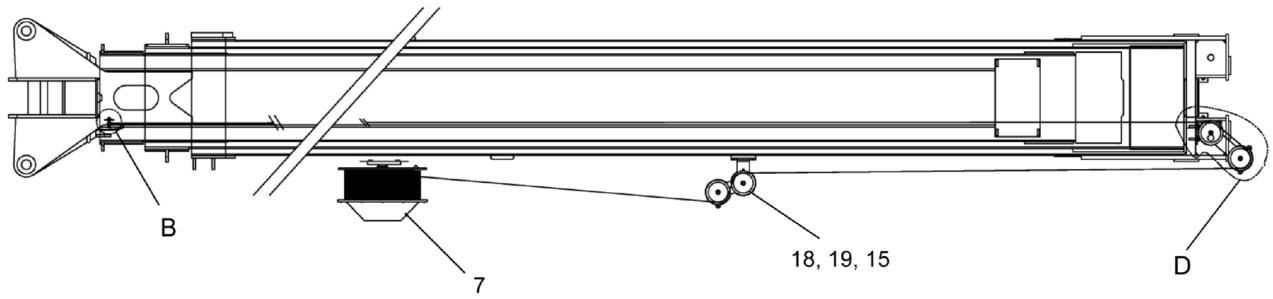
DATE: Released 06-2016

MODEL: 35-100

PAGE: 40

CHAPTER

1



WHEN ORDERING PARTS, SPECIFY MODEL NUMBER, SERIAL NUMBER AND DESCRIPTION OF PARTS REQUIRED



ATB/LMI INSTALLATION (GREER)

DATE: Revised 06-2016

MODEL: 35-100

PAGE: 41

CHAPTER

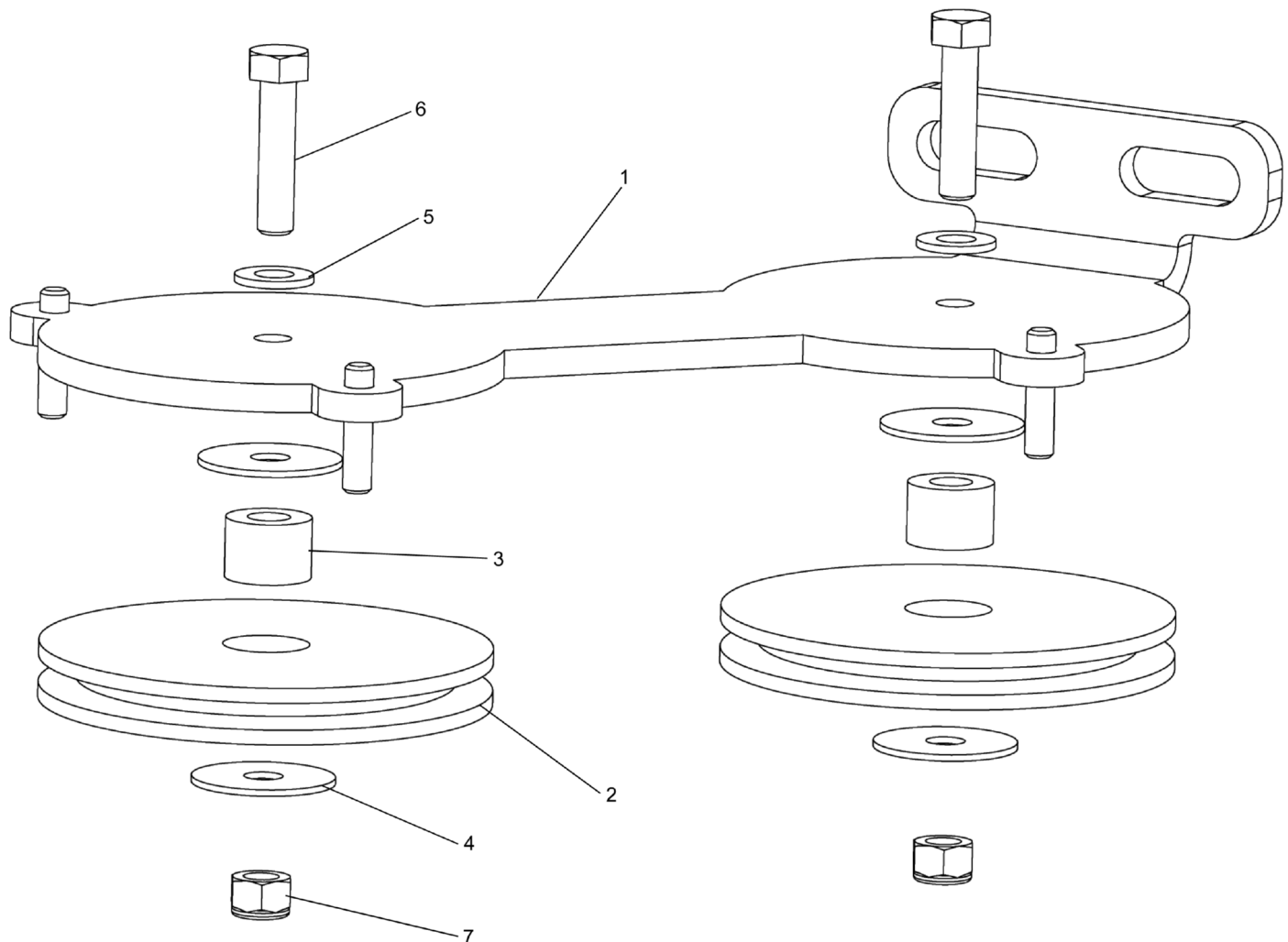
1

<u>REF</u>	<u>PART NO.</u>	<u>DESCRIPTION</u>	<u>QTY</u>
	508-00087-1 (Rev. J)	ATB/LMI INSTL (Greer)	
1	861-90494	Sheave Assembly - Rear (see page 43)	1
2	WAR-375X000-22	WSH, FL, TYP A-REG 0.375, ST SQC G2	2
3	SHF-375CA00-25	SCR, HHCS FT 0.375-16 X 1.00, ST SQC G5	2
4	SHF-250CA50-25	SCR, HHCS FT 0.25-20X1.50, STZ G5	1
5	WFD-250XA50-20	WSH, FNDR 0.25 X 1.50, ST SQC	1
6	220-30024	SHCS 5-40 X 1/2"	2
7	861-90532	Reel/A-RCI/ATB (see page 44)	1
8	201-00141	Tube Clamp 1/4 X 5/16	5
9	226-00021	Rivet, 0.50HD X 0.25D X 0.63 LG	5
10	WAW-25WX000-20	WSH, FL TPYA-WID 0.25 ST YZ	5
11	774-00054	ATB Switch Adapter Bracket	1
12	729-02729	LMI/ATB Switch Bracket, Weld	1
13	861-90434	ATB Switch ASSY Heavy Duty	1
14	717 0882	CTWT W/ Chain	1
15	SHF-375C750-25	SCR, HHCS FT 0.375-16X0.75, STZ G5	2
16	221-90001	Toplock Nut 1/4-20 NC Zinc	1
17*	W07-375X000-20	WSH, LCK, MED SPLT 0.375, ST Z	2
18	861-90496	Sheave Assembly - Front (see page 45)	1
19	WAH-37NX000-Y2	WSH, FL HRD A-NRW, 0.375, ST Z	2

* ITEM NOT SHOWN IN ILLUSTRATION

WHEN ORDERING PARTS, SPECIFY MODEL NUMBER, SERIAL NUMBER AND DESCRIPTION OF PARTS REQUIRED

	ATB/LMI INSTALLATION (GREER)	DATE: Revised 06-2016	CHAPTER 1
		MODEL: 35-100	
		PAGE: 42	



<u>REF</u>	<u>PART NO.</u>	<u>DESCRIPTION</u>	<u>QTY</u>
	861-90494 (Rev. 00)	<i>Sheave Assembly - Rear</i>	
1	861-90493	Top Plate Weldment	1
2	860-90050	Sheave	2
3	001-10051	Sheave Axle	2
4	222-01011	Fender Washer	4
5	222-01001	5/16 Flat Washer	2
6	220-01046	HHCS 5/16-18 UNC X 1 3/8 LG (7/8 Thread)	2
7	221-01013	Nylon Insert Locknut, 5/16-18 UNC	2

WHEN ORDERING PARTS, SPECIFY MODEL NUMBER, SERIAL NUMBER AND DESCRIPTION OF PARTS REQUIRED



INTERNAL LMI SHEAVE ASSEMBLY - REAR

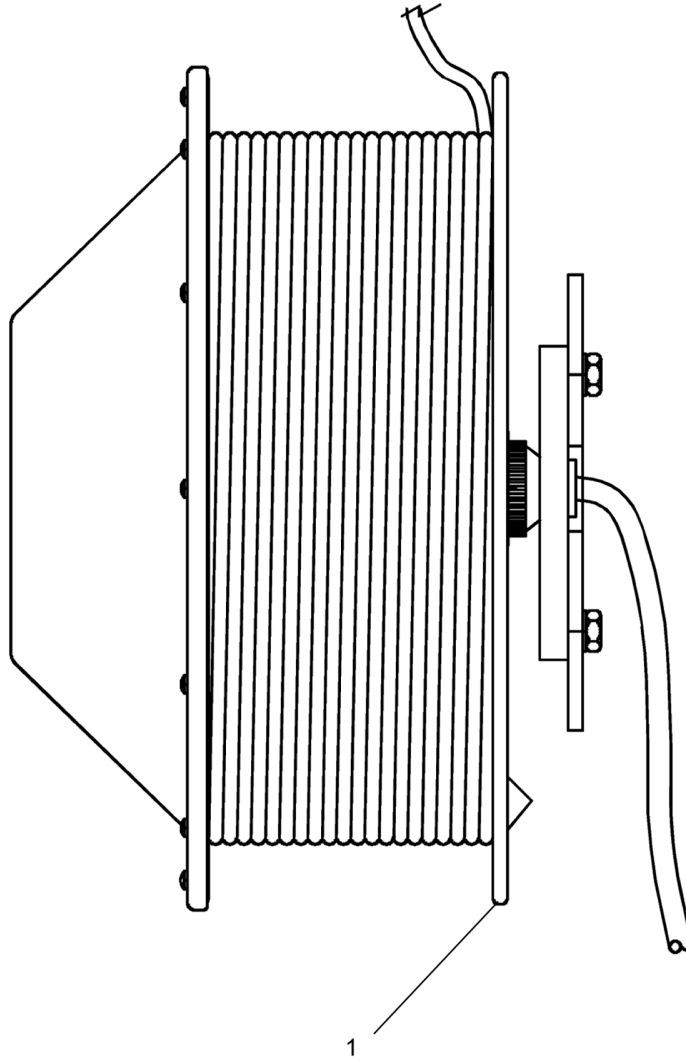
DATE: Revised 11-2011

MODEL: 35-100

PAGE: 43

CHAPTER

1



<u>REF</u>	<u>PART NO.</u>	<u>DESCRIPTION</u>	<u>QTY</u>
	861-90532 (Rev. A)	Reel/A-RCI/ATB	
1	A240630	Reeling Drum Assembly	1

WHEN ORDERING PARTS, SPECIFY MODEL NUMBER, SERIAL NUMBER AND DESCRIPTION OF PARTS REQUIRED



REEL/A-RCI/ATB

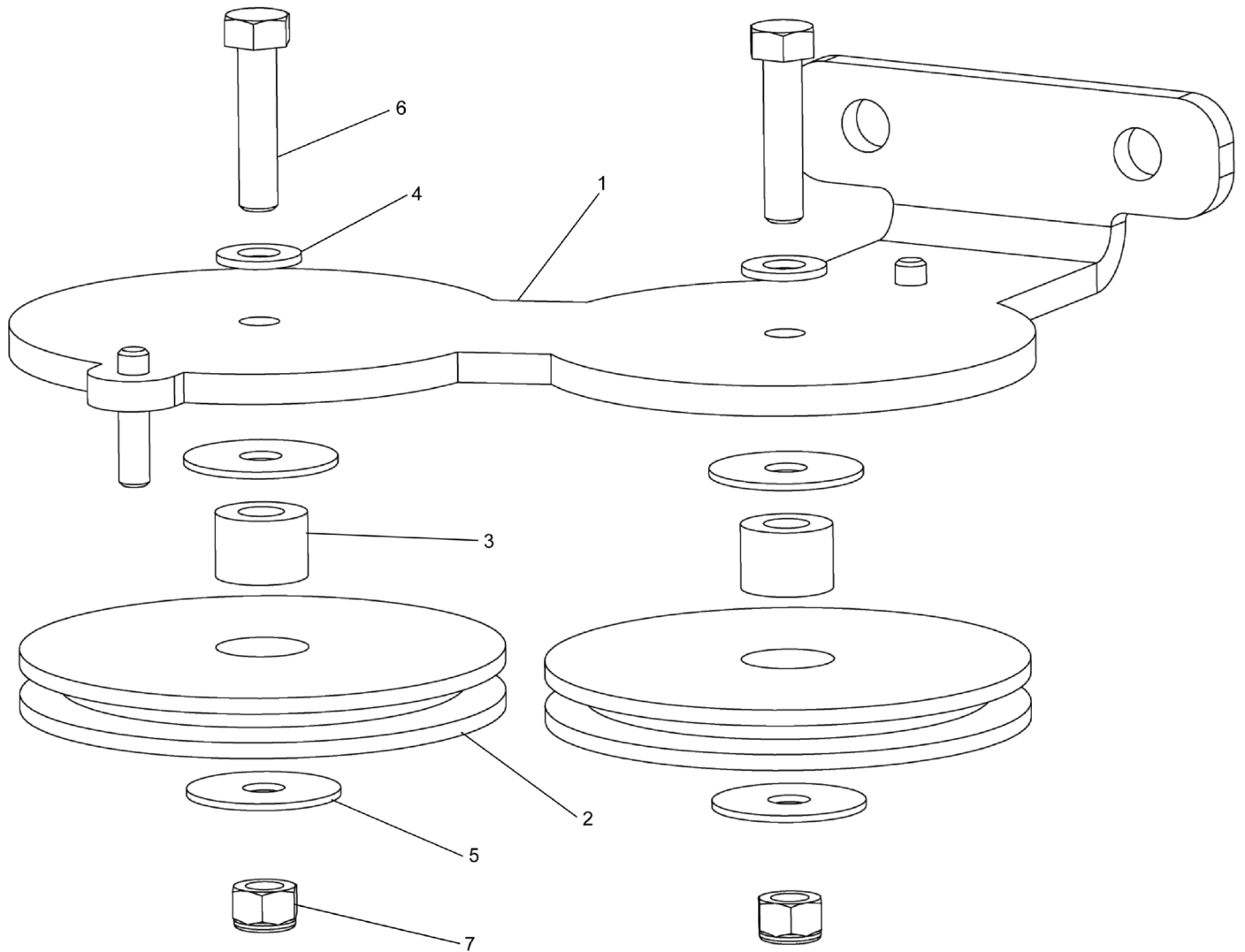
DATE: Revised 06-2016

MODEL: 35-100

PAGE: 44

CHAPTER

1



<u>REF</u>	<u>PART NO.</u>	<u>DESCRIPTION</u>	<u>QTY</u>
	861-90496 (Rev. A)	Sheave Assembly - Front	
1	861-90495	Top Plate Weldment	1
2	860-90050	Sheave	2
3	001-10051	Sheave Axle	2
4	222-01001	5/16 Flat Washer	2
5	WBR-31RX875-20	WSH, FL TYPB-REG 0.3125, ST SQC	4
6	S01-312CA37-25	SCR, HHCS 0.3125-18 X 1.37, ST SQC G5	2
7	NYL-312C000-25	Nut, HEX NYL-INS 0.312-18, ST SQC G5	2

WHEN ORDERING PARTS, SPECIFY MODEL NUMBER, SERIAL NUMBER AND DESCRIPTION OF PARTS REQUIRED



INTERNAL LMI SHEAVE ASSEMBLY - FRONT

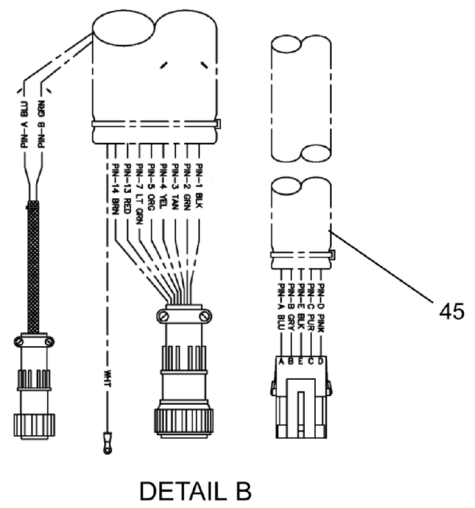
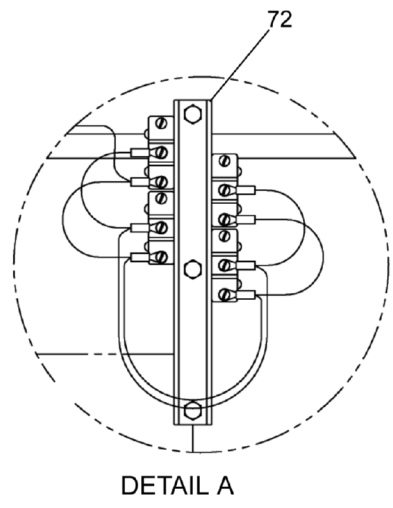
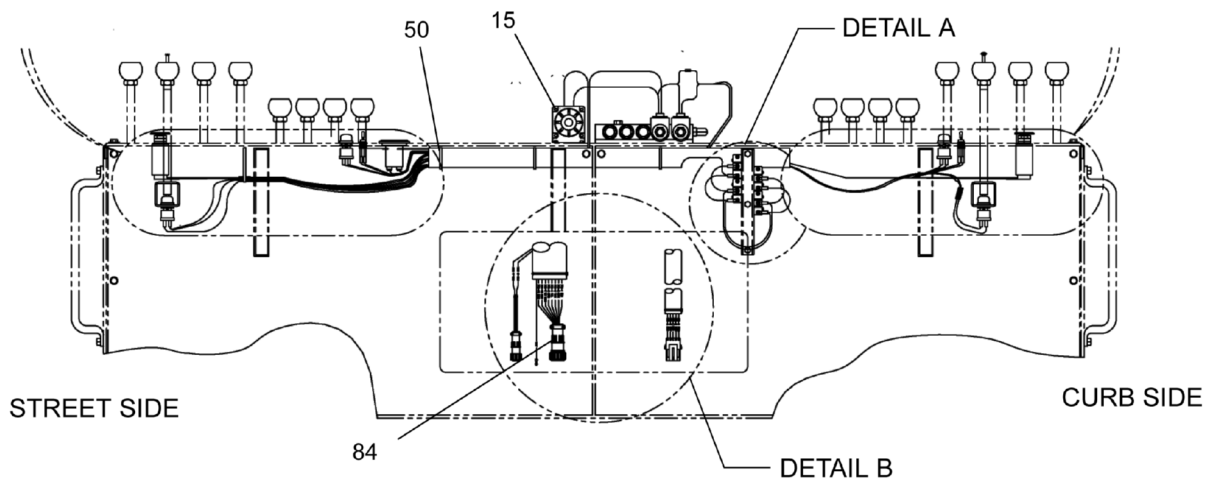
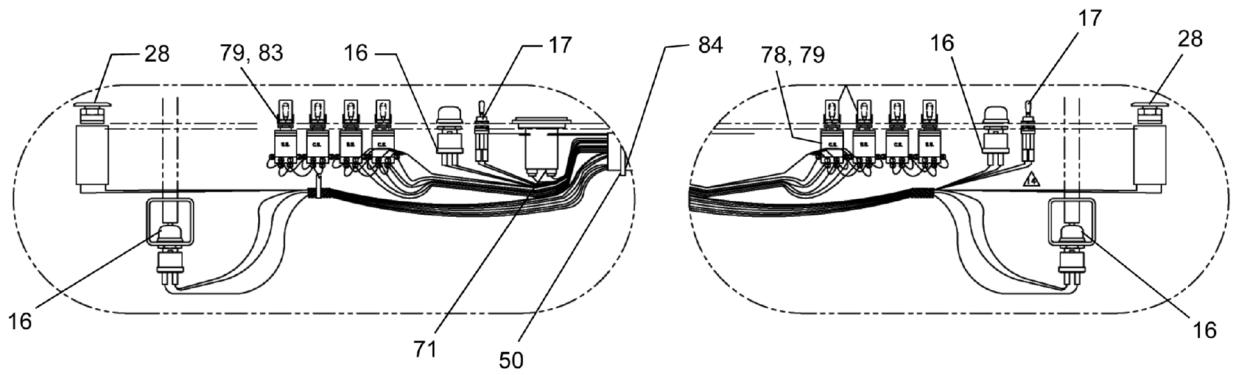
DATE: Revised 05-2018

MODEL: 35-100

PAGE: 45

CHAPTER

1



FOR CF WINCH 800-50054-3

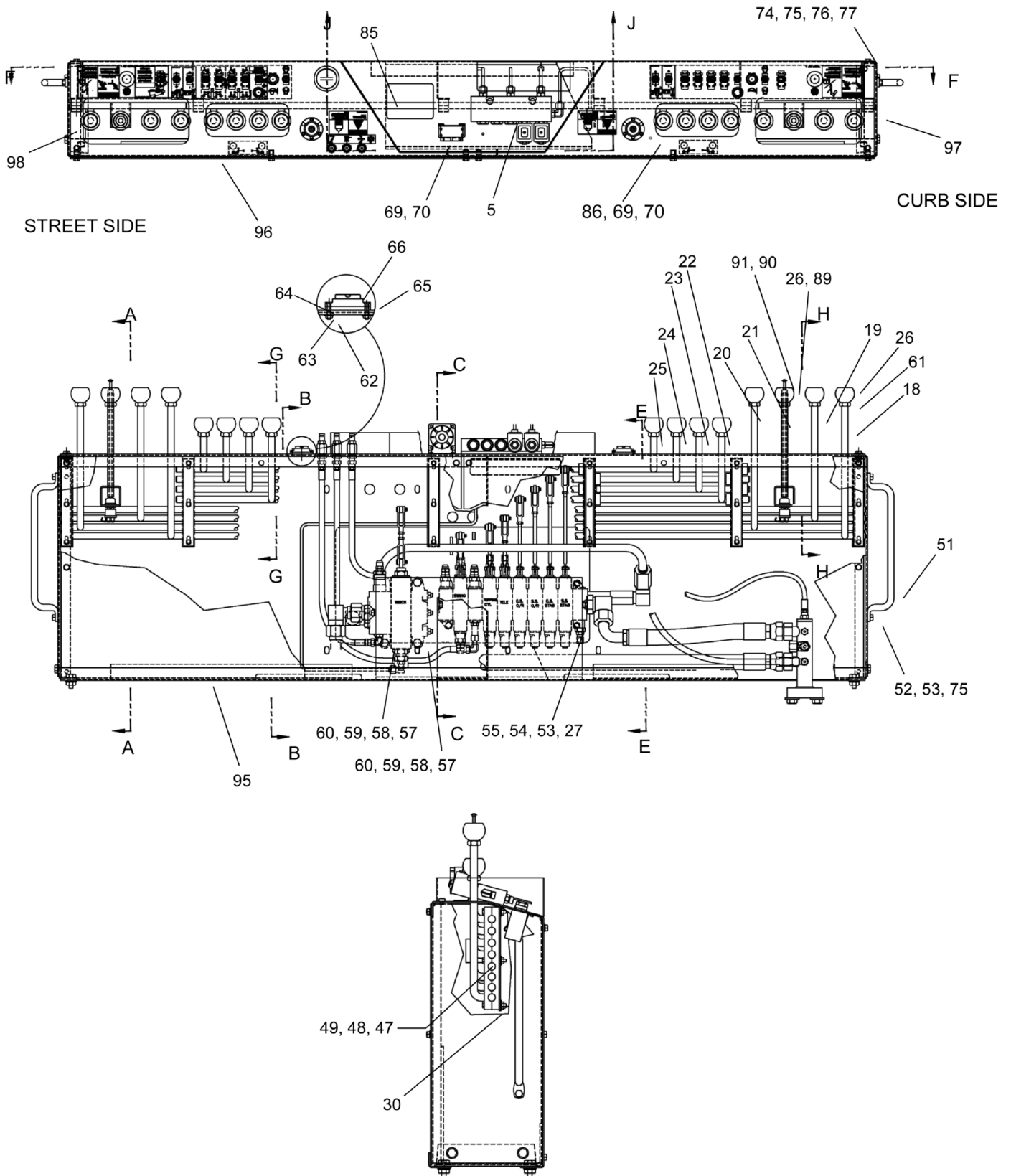
WHEN ORDERING PARTS, SPECIFY MODEL NUMBER, SERIAL NUMBER AND DESCRIPTION OF PARTS REQUIRED



**CONTROL CONSOLE ASSEMBLY
35-100 CF/MS WINCH (GRAY)**

DATE: Revised 01-2015
MODEL: 35-100
PAGE: 46

**CHAPTER
1**



WHEN ORDERING PARTS, SPECIFY MODEL NUMBER, SERIAL NUMBER AND DESCRIPTION OF PARTS REQUIRED



CONTROL CONSOLE ASSEMBLY

35-100 CF/MS WINCH (GRAY)

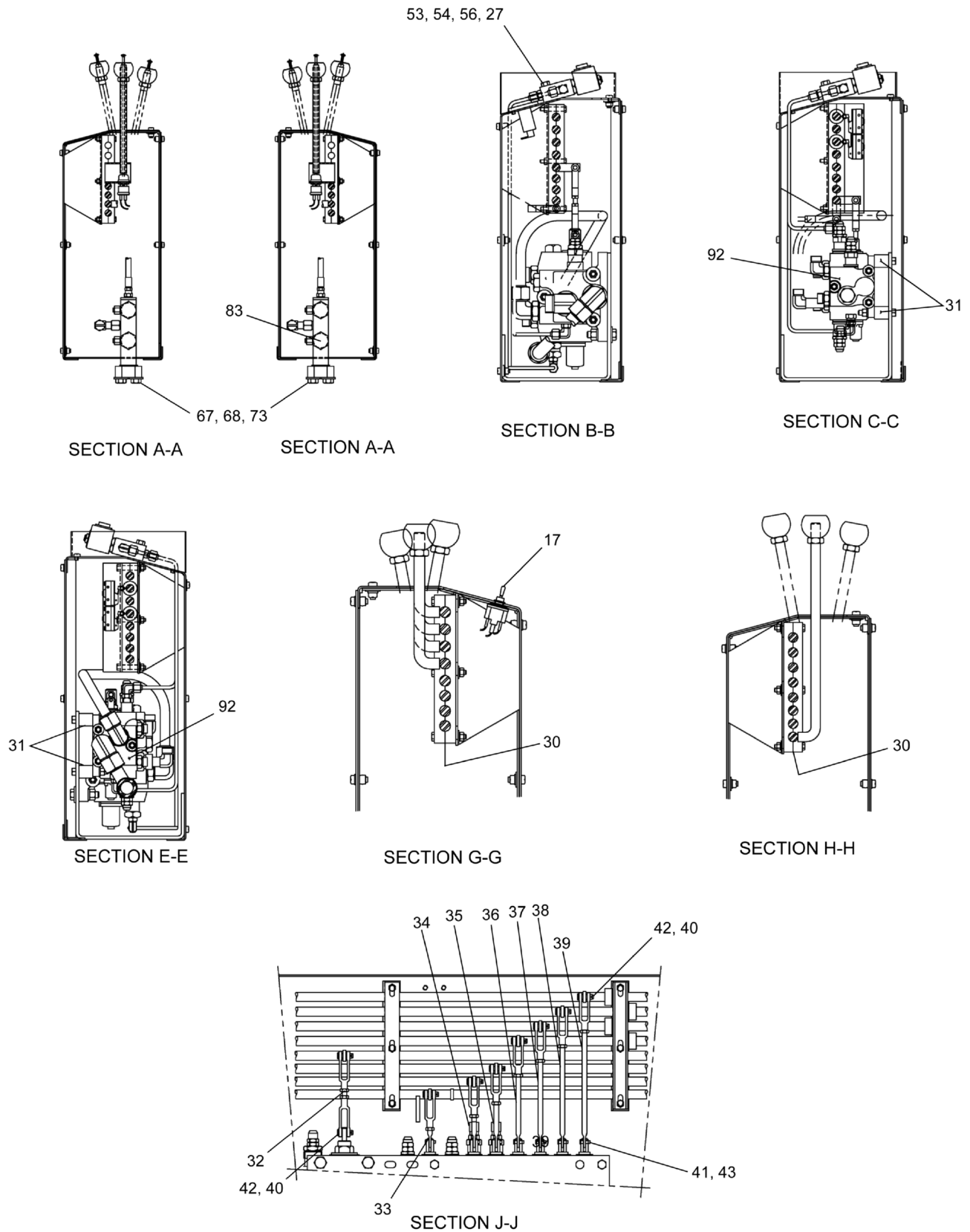
DATE: Revised 01-2015

MODEL: 35-100

PAGE: 47

CHAPTER

1



WHEN ORDERING PARTS, SPECIFY MODEL NUMBER, SERIAL NUMBER AND DESCRIPTION OF PARTS REQUIRED



CONTROL CONSOLE ASSEMBLY

35-100 CF/MS WINCH (GRAY)

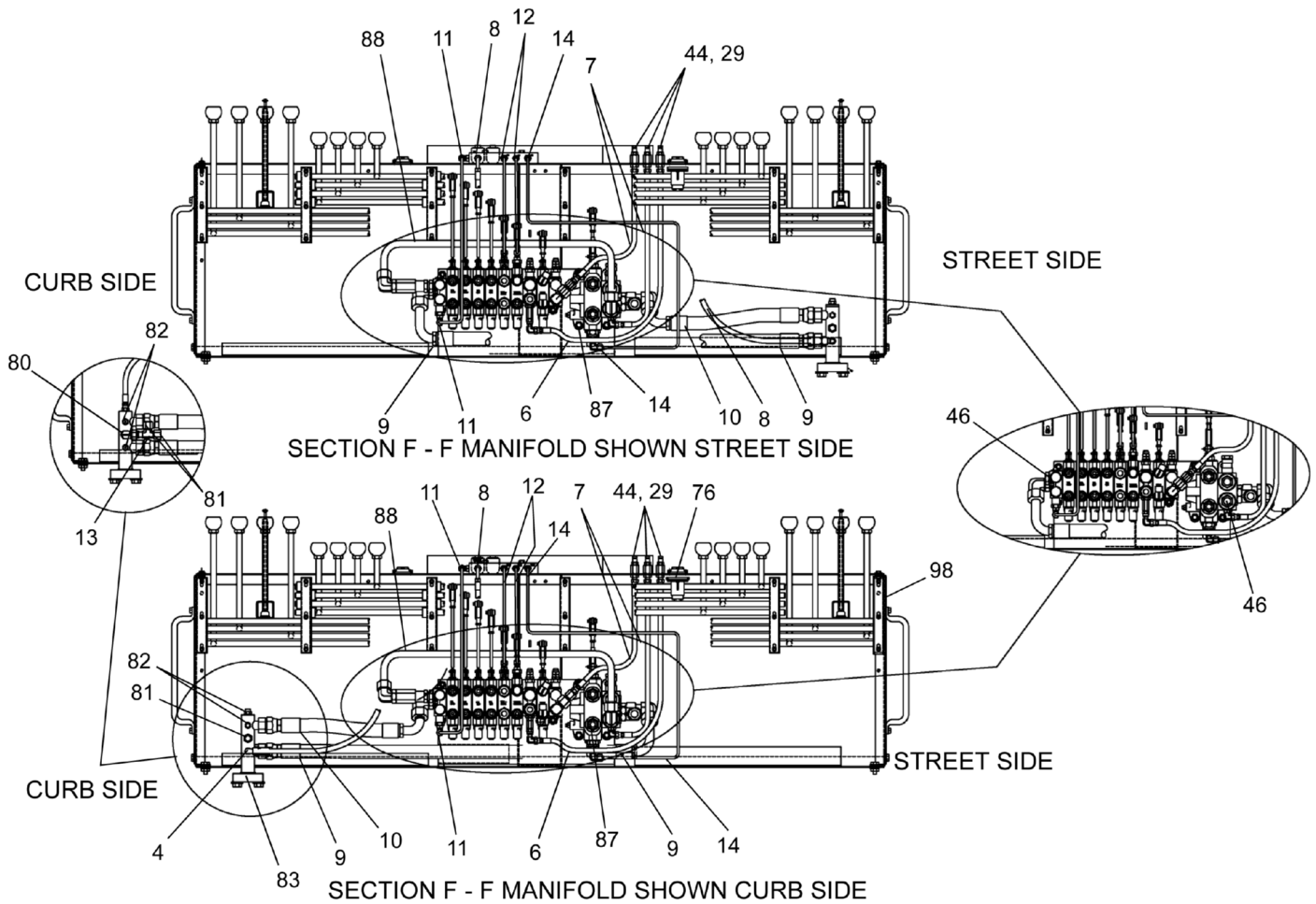
DATE: Revised 01-2015

MODEL: 35-100

PAGE: 48

CHAPTER

1



WHEN ORDERING PARTS, SPECIFY MODEL NUMBER, SERIAL NUMBER AND DESCRIPTION OF PARTS REQUIRED



CONTROL CONSOLE ASSEMBLY

35-100 CF/MS WINCH (GRAY)

DATE: Revised 01-2015

MODEL: 35-100

PAGE: 49

CHAPTER

1

REF	PART NO.	DESCRIPTION	QTY
	800-50054-3 (Rev. R)	Control Console ASSY 35-100 Series CF Winch (Gray)	
1*	503-92025	Hose Kit, Control ASSY (Item Includes 6 to 10)	1
2*	T128313	Kit - Control Handle, Weldment (Item Includes 18 to 25)	1
3*	806-00247	Kit - Control Link, Triple Pump (Item Includes 32 to 39)	1
4	514-52002	Elbow 90 S.N. #4 OFS	1
5	500-01397	Valve ASSY, Unload W/FTGS (see page 52)	1
6	502-10973	Hose ASSY, Test Port-Shuttle Valve	1
7	502-11308	Hose ASSY, Test Port-Winch/Swing Valves	2
8	502-10999	Hose ASSY, Unload Valve Return	1
9	502-50313	Hose ASSY, Valve Return	1
10	502-50314	Hose ASSY, Valve Return	1
11	510-20457	Tube ASSY, Unload VLV SUP.	1
12	510-20372	Tube ASSY, Telescopic Unload	2
13	516-85006	Tee, Run M#8 OFS X M#8 OFS	1
14	510-20459	Tube ASSY, Winch Unload	1
15	400-05334	Horn, ATB, ECA	1
16	400-04125	Switch Momentary	4
17	400-04123	Switch Start/Stop	2
18	T128312	Control Handle, Weldment (Swing)	1
19	T128311	Control Handle, Weldment (Boom Hoist)	1
20	T128310	Control Handle, Weldment (Telescope)	1
21	T128309	Control Handle, Weldment (Winch)	1
22	804-00811	Control Handle, C.S. O/R	1
23	804-00812	Control Handle, S.S. O/R	1
24	804-00809	Control Handle, C.S. AX O/R	1
25	804-00810	Control Handle, S.S. AX O/R	1
26	808-00048	Knob, Control (Black)	14
27	WBR-37RXA00-20	WSH, FL TYPB-REG 0.375, ST SQC	6
28	1223-981	E-Stop Push Button	2
29	12019-558	Dust Cover (Test Port)	3
30	709-01119	Block, Bearing	12
31	001-20057	Spacer, Valve Spacer	4
32	806-00243	CTRL Link ASSY, - Winch (2-1141)	1
33	806-00235	CTRL Link ASSY, - Swing (2-1139)	1
34	806-00236	CTRL Link ASSY, - Boom (2-1139)	1
35	806-00237	CTRL Link ASSY, - Tele (2-1139)	1
36	806-00238	CTRL Link ASSY, - C.S. O.R. (2-1139)	1
37	806-00239	CTRL Link ASSY, - S.S. O/R (2-1139)	1
38	806-00240	CTRL Link ASSY, - C.S. STB (2-1139)	1
39	806-00241	CTRL Link ASSY, S.S. STB (2-1139)	1
40	870-00129	Pin, CLEVIS 5/16 DIA	9
41	870-00044	Pin, CLEVIS 3/16 DIA	7
42	224-02001	Pin, Cotter 1/8 X 3/4"	9
43	224-01001	Cotter Pin 3/32D X 1/2 LG	7
44	518-20013	Test Port Bulkhead Seal-LOK #4	3
45	400-25189	Harness ASSY, CON. AUX O/R	2
46	519-70032	Cap, 5/8" Tube F#10 OFS	2
47	WBR-25RX734-20	WSH, FL TYPB-REG 0.25, ST SQC	18
48	NYL-250C000-25	Nut, HEX NYL-INS 0.25-20, ST SQC G5	18
49	S01-250CB00-25	SCR, HHCS, 0.25-20 X 2.00, ST Z G5	18

* ITEM NOT SHOWN IN ILLUSTRATION

WHEN ORDERING PARTS, SPECIFY MODEL NUMBER, SERIAL NUMBER AND DESCRIPTION OF PARTS REQUIRED



CONTROL CONSOLE ASSEMBLY 35-100 CF/MS WINCH (GRAY)

DATE: Revised 01-2015

MODEL: 35-100

PAGE: 50

CHAPTER

1

REF	PART NO.	DESCRIPTION	QTY
	800-50054-3 (Rev. R)	Control Console ASSY 35-100 Series CF Winch (Gray)	
50	400-15086	Tie Wrap 7 7/16 LG	5
51	209-00444	Grab Handle #2399-D	2
52	SHF-375CA00-25	SCR, HHCS FT 0.375-16 X 1.00, ST SQC G5	4
53	W07-375C000-20	WSH, LCK, MED-SPLT 0.375, ST Z	10
54	N04-375C000-25	Nut, HEX 0.375-16 ST Z GR5	6
55	S01-375CB50-25	SCR, HHCS 0.375-16 X 2.50, ST Z G5	4
56	S01-375CB00-25	SCR, HHCS 0.375-16 X 2.00, ST SQC G5	2
57	S01-500CB00-25	SCR, HHCS 0.50-13 X 2.00, ST Z G5	3
58	W07-500C000-20	WSH, LCK, MED-SPLT 0.50, ST Z	3
59	WBR-50RXA37-20	WSH, FL TYPB-REG 0.50, ST SQC	6
60	N04-500C000-25	Nut, HEX 0.50-13, ST Z GR5	3
61	N05-625C000-25	Nut, HEX JAM 0.625-11, ST SQC G5	16
62	S16-164C750-20	SCR, FSHCS 08-32 X 0.75, ST Z	6
63	NYL-164C000-22	Nut, HEX NYL-INS 08-32, ST Z G2	6
64	263-00044	Gasket, Level Mounting	2
65	209-00831	Level Base, Circular Level	2
66	209-00832	Circular Level Indicator	2
67	519-00008	Block-Off Plate	1
68	263-00041	Gasket - Block - Off Plate	1
69	SL5-190C750-20	SCR, CREC RND MS10-24X.75, ST Z	4
70	NYL-190C000-22	Nut, HEX, NYL-INS 10-24, ST Z GR2	4
71	1245-162	Hour Meter HOBB 85006-04	1
72	400-24062	SubASSY, O/R Alarm Switches (see page 53)	1
73	S01-500CA25-25	SCR, HHCS 0.50-13 X1.25, ST Z G5	2
74	SHF-312C750-25	SCR, HHCS FT 0.312-18 X 0.75 ST SQC G5	22
75	WBR-31RX875-20	WSH, FL TYPB-REG 0.3125, ST SQC	26
76	W07-312C000-20	WSH, LCK, MED-SPLT 0.3125, ST Z	22
77	N04-312C000-25	Nut, HEX 0.3125-18 ST SQC G5	6
78	400-04122	Toggle Switch, Micro	8
79	400-04036	Cover Switch	8
80	514-65004	Elbow, SN #8 OFS	1
81	519-50010	Cap, #8 OFS	2
82	519-20004	Cap, #4 OFS	2
83	519-90051	Manifold, Return	1
84	T127469	Harness BT Control Console	1
85	12147-1	Channel U ALTA X-1045	0.25FT
86	MK765	Clamp, Rubber	2
87	500-01803-1	Valve ASSY, Winch For CF (see page 54)	1
88	510-70773	Tube ASSY, Power Beyond	1
89	808-00049	Knob, Control Winch (Black)	2
90	809-00385	Rod, MS Winch	2
91	222-40007	Retainer, Rod	2
92	500-01804-3	Valve ASSY, Main W/CF Winch 35-100 (see page 55)	1
93*	T121810	Harness, AUX O/R Sensor Lamps	1
94*	T128052	Console Cover Kit (Gray)	1
95	T128048	Control Console ASSY/Weldment (Gray) (see page 57)	1
96	802-01390-P7	Cover, Console - Front (Gray)	2
97	802-01489-P7	Cover, End Console - C S (Gray)	1
98	802-01490-P7	Cover, End Console - S S (Gray)	1

* ITEM NOT SHOWN IN ILLUSTRATION

WHEN ORDERING PARTS, SPECIFY MODEL NUMBER, SERIAL NUMBER AND DESCRIPTION OF PARTS REQUIRED



CONTROL CONSOLE ASSEMBLY 35-100 CF/MS WINCH (GRAY)

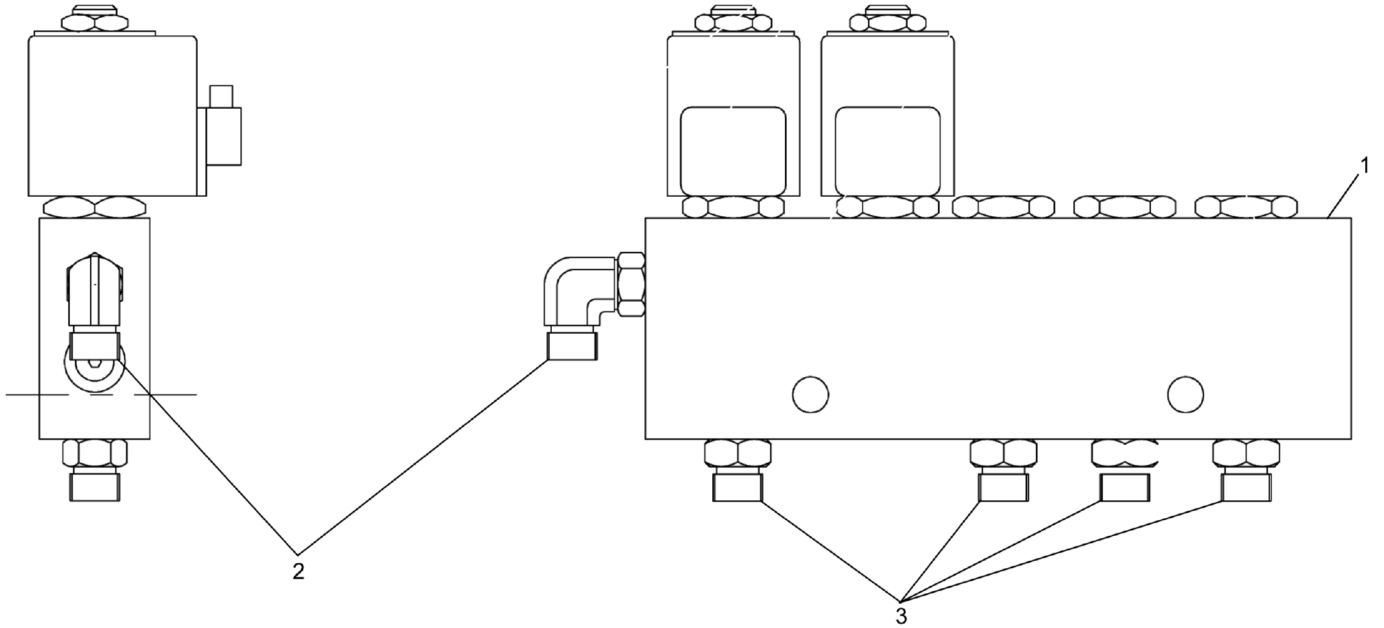
DATE: Revised 01-2015

MODEL: 35-100

PAGE: 51

CHAPTER

1



<u>REF</u>	<u>PART NO.</u>	<u>DESCRIPTION</u>	<u>QTY</u>
	500-01397 (Rev. B)	Valve ASSY, Unload W/FTGS	
1	551-10136	Unloader Valve	1
2	514-52003	Elbow 90 S.N. #4 OFS	1
3	513-20017	STR CONN, M#4 OFS X M#4 ORB	4

WHEN ORDERING PARTS, SPECIFY MODEL NUMBER, SERIAL NUMBER AND DESCRIPTION OF PARTS REQUIRED



VALVE ASSEMBLY

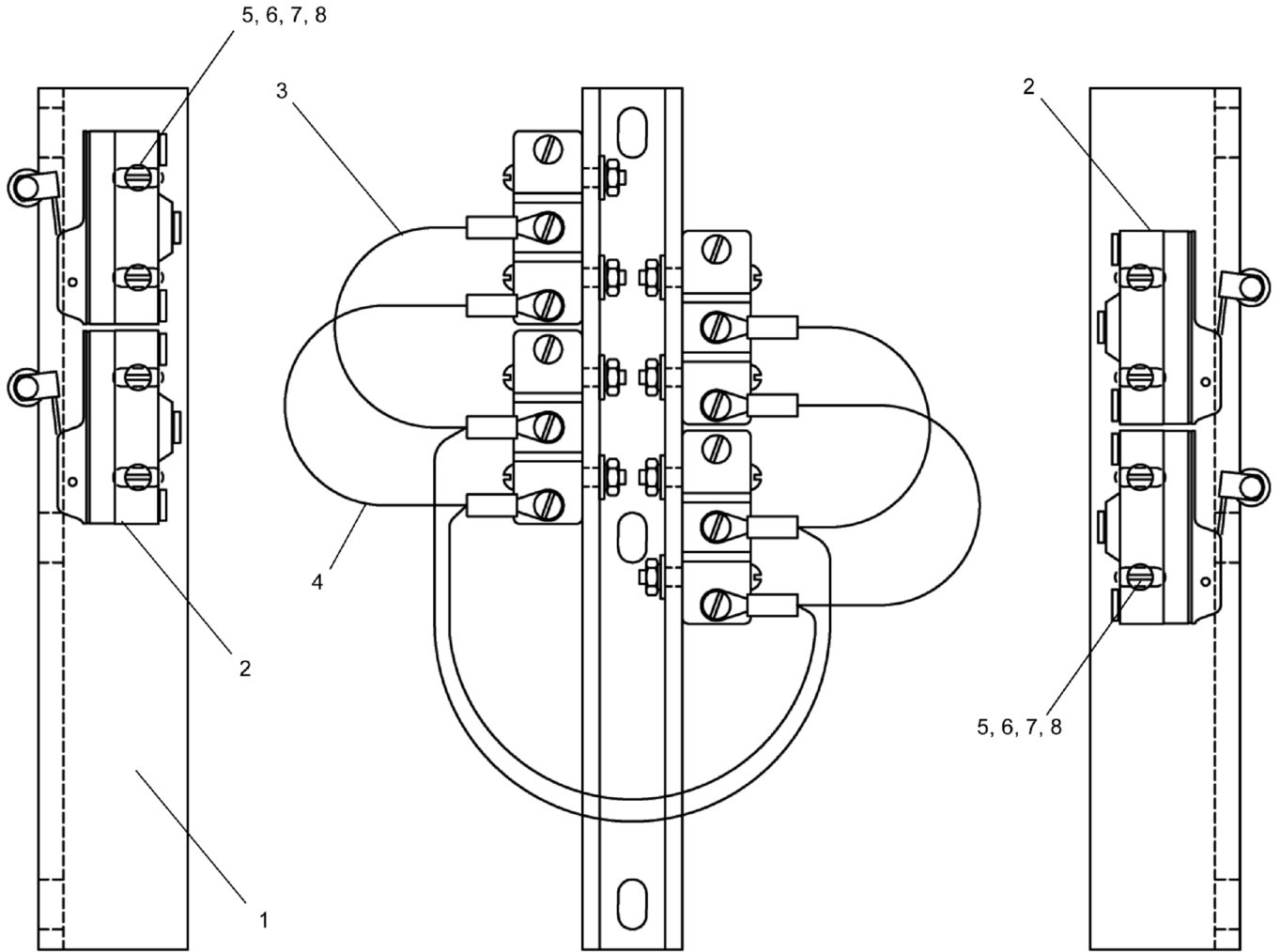
DATE: Revised 11-2017

MODEL: 35-100

PAGE: 52

CHAPTER

1



<u>REF</u>	<u>PART NO.</u>	<u>DESCRIPTION</u>	<u>QTY</u>
	400-24062 (Rev. 00)	<i>SubASSY, O/R Alarm Switches</i>	
1	786-01774	MTG. O/R Warning Switch	1
2	400-05109	Switch, O/R Warning	4
3	400-01957	Jumper ASSY, BLU - 16 GA	1
4	400-01956	Jumper ASSY, BRN - 16 GA	1
5	223-01129	Round HD MS Slot #6-32 X 1 1/8 PLTD	8
6	222-00004	Flat Washer, #6 PLTD	8
7	222-10009	Lock Washer, #6 PLTD	8
8	221-00009	Nut, HEX #6-32 PLTD	8

WHEN ORDERING PARTS, SPECIFY MODEL NUMBER, SERIAL NUMBER AND DESCRIPTION OF PARTS REQUIRED



ELECTRICAL SYSTEM OUTRIGGER ALARM SWITCH

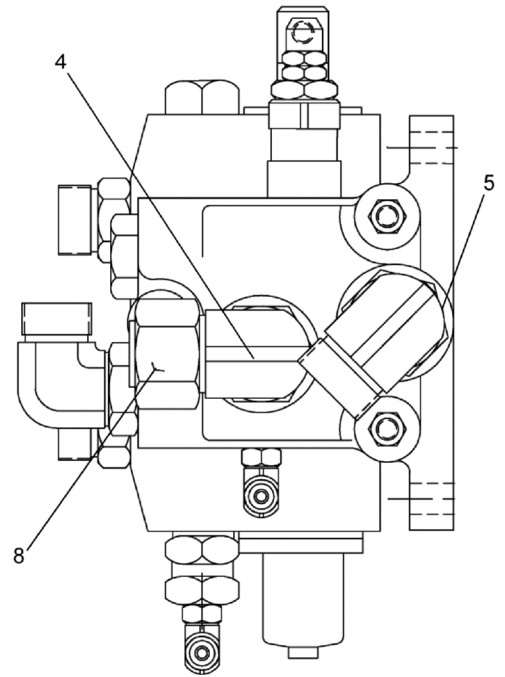
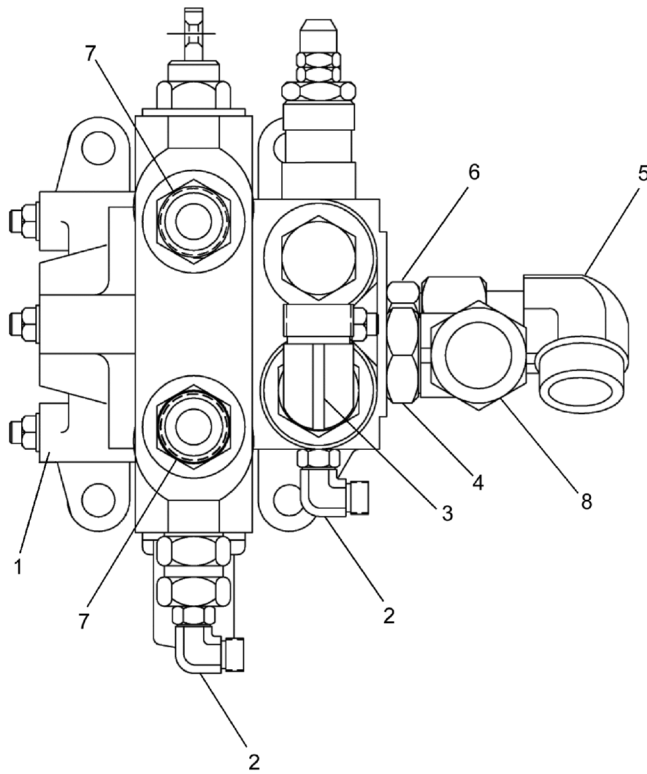
DATE: Released 11-2011

MODEL: 35-100

PAGE: 53

CHAPTER

1



<u>REF</u>	<u>PART NO.</u>	<u>DESCRIPTION</u>	<u>QTY</u>
	500-01803-1 (Rev. A)	Valve ASSY, Winch For CF	
1	550-00314	Valve ASSY, Winch	1
2	514-52003	Elbow 90 S.N. #4 OFS	2
3	514-57010	90 Elbow, M#12 OFS X M#12 ORB	1
4	541-59021	90 Elbow M#16 OFS x M#16 ORB	1
5	514-69012	90 Elbow M#16 OFS x M#16 ORB SW	1
6	513-90032	STR CONN M#16 OFS X M#16 ORB	1
7	513-70023	CONN, M#12 OFS x M#12 ORB	2
8	519-90036	Cap, Tube, F#16 OFS	1

WHEN ORDERING PARTS, SPECIFY MODEL NUMBER, SERIAL NUMBER AND DESCRIPTION OF PARTS REQUIRED



WINCH VALVE ASSEMBLY COMBINED FLOW

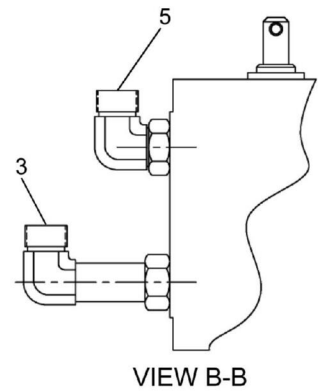
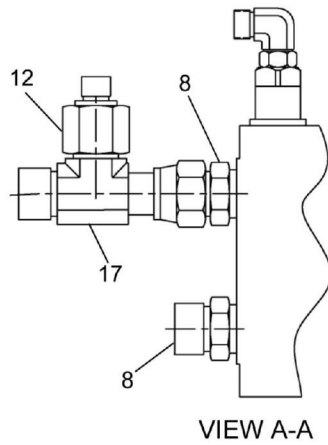
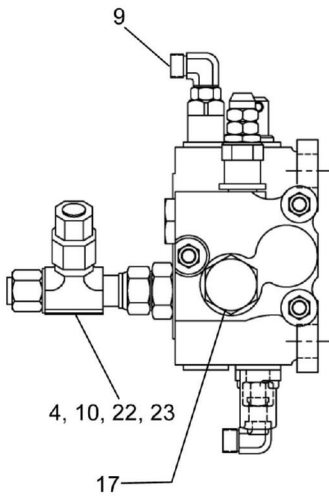
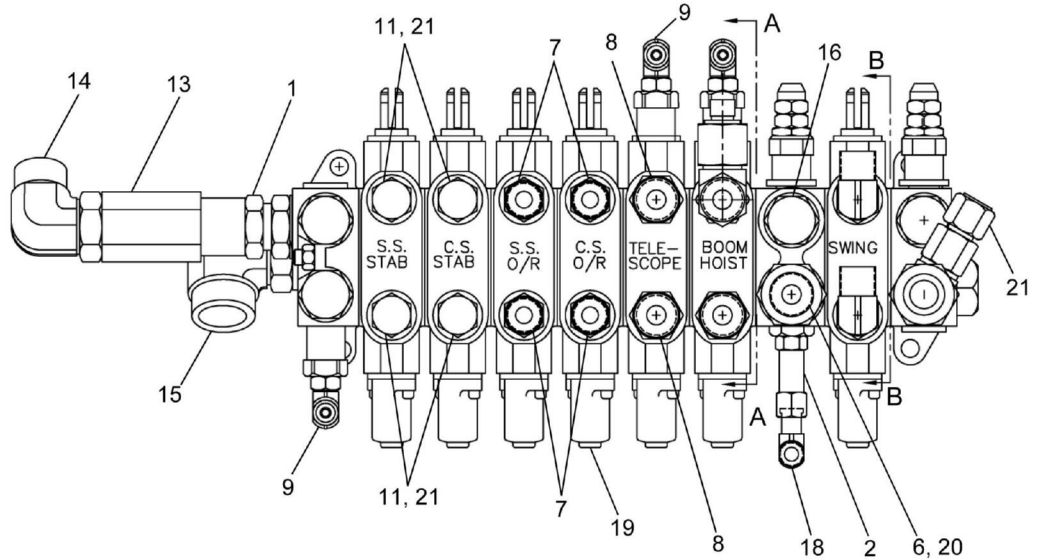
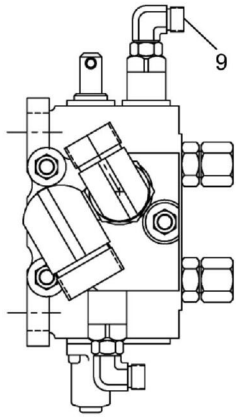
DATE: Released 05-2018

MODEL: 35-100

PAGE: 54

CHAPTER

1



WHEN ORDERING PARTS, SPECIFY MODEL NUMBER, SERIAL NUMBER AND DESCRIPTION OF PARTS REQUIRED



MAIN VALVE ASSEMBLY COMBINED FLOW

DATE: Revised 01-2015

MODEL: 35-100

PAGE: 55

CHAPTER

1

<u>REF</u>	<u>PART NO.</u>	<u>DESCRIPTION</u>	<u>QTY</u>
	500-01804-3 (Rev. F)	Valve ASSY, Main W/CF Winch 35-100	
1	T121655	O-Ring-Union	1
2	513-30003	Connector, L M#4 OFS X M#4 ORB	1
3	514-55015	90 Elbow, M#8 OFS X M#8 ORB	1
4	519-50012	Reducer, F#8 OFS X M#4 OFS	1
5	514-55011	Elbow, 90, MOFS-8/MORB-8	1
6	513-70038	CONN, L M#10 OFS X #10 ORB	1
7	513-50023	CONN #8 ORB To #8 OFS RS Only	4
8	513-60012	Adapter, MOFS-10/MORB-8	4
9	514-52003	Elbow 90 S.N. #4 OFS	3
10	516-85004	Tee 2 X M#8 OFS X F#8 OFS	1
11	513-40018	Adapter, MOFS-6/MORB-8	4
12	375-0002	Reducer, F10 OFS X M4 OFS	1
13	T121654	Check Valve	1
14	514-57010	90 Elbow, M#12 OFS X M#12 ORB	1
15	514-59024	90 Elbow, M#16 OFS X M#12 ORB	1
16	517-30002	Plug, M#10 ORB	1
17	516-86002	Tee, Swivel Nut F100FS X M100FS X M100FS	1
18	514-62002	Elbow, 90° S.N. #4 OFS	1
19	550-00422	Valve ASSY, Main (7000)	1
20	519-70032	Cap, 5/8" Tube F#10 OFS	1
21	519-40007	Cap. Parker #6	5
22	519-50010	Cap, #8 OFS	1
23	513-50027	Adapter, MOFS-8/MORB-10	1

WHEN ORDERING PARTS, SPECIFY MODEL NUMBER, SERIAL NUMBER AND DESCRIPTION OF PARTS REQUIRED



MAIN VALVE ASSEMBLY COMBINED FLOW

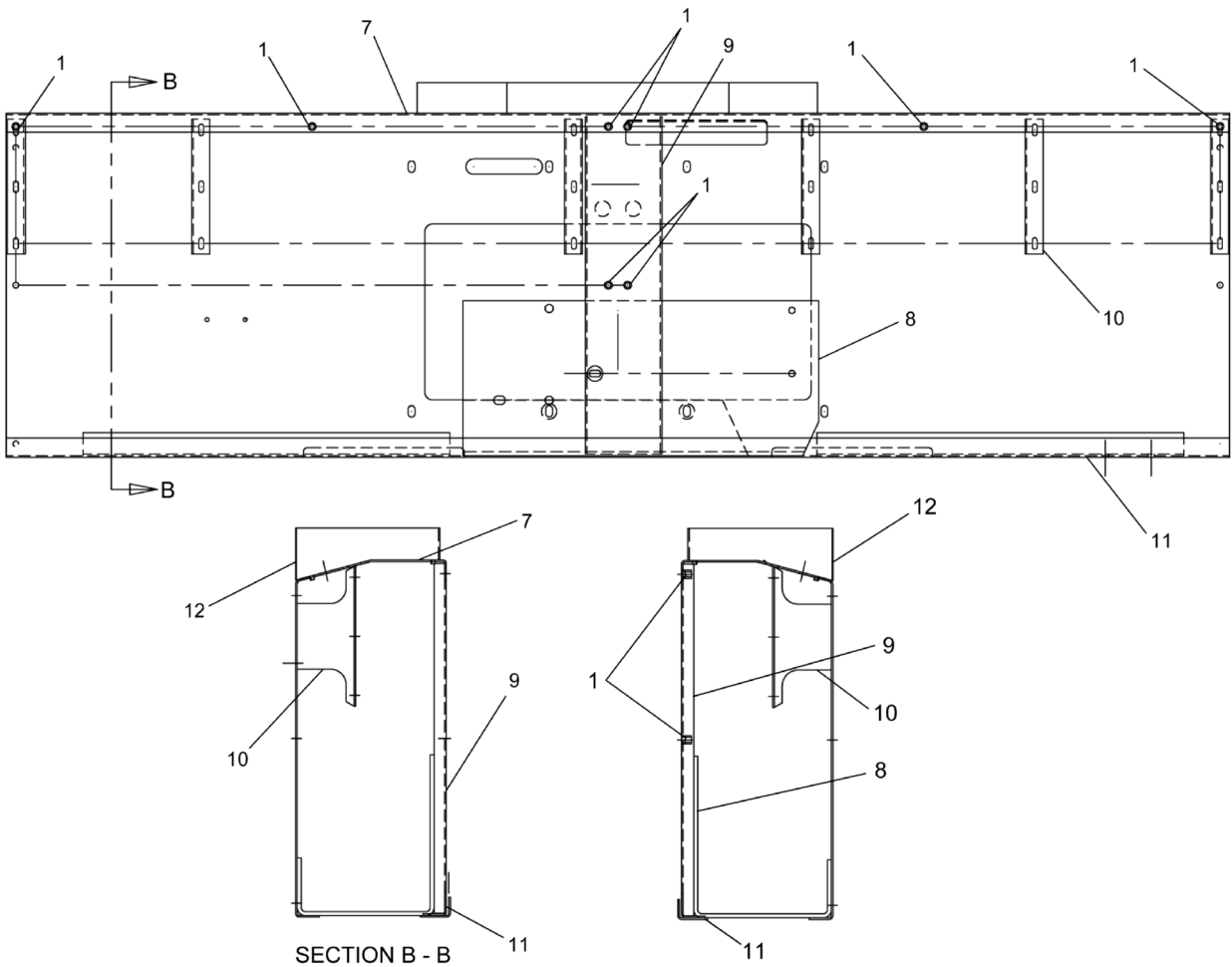
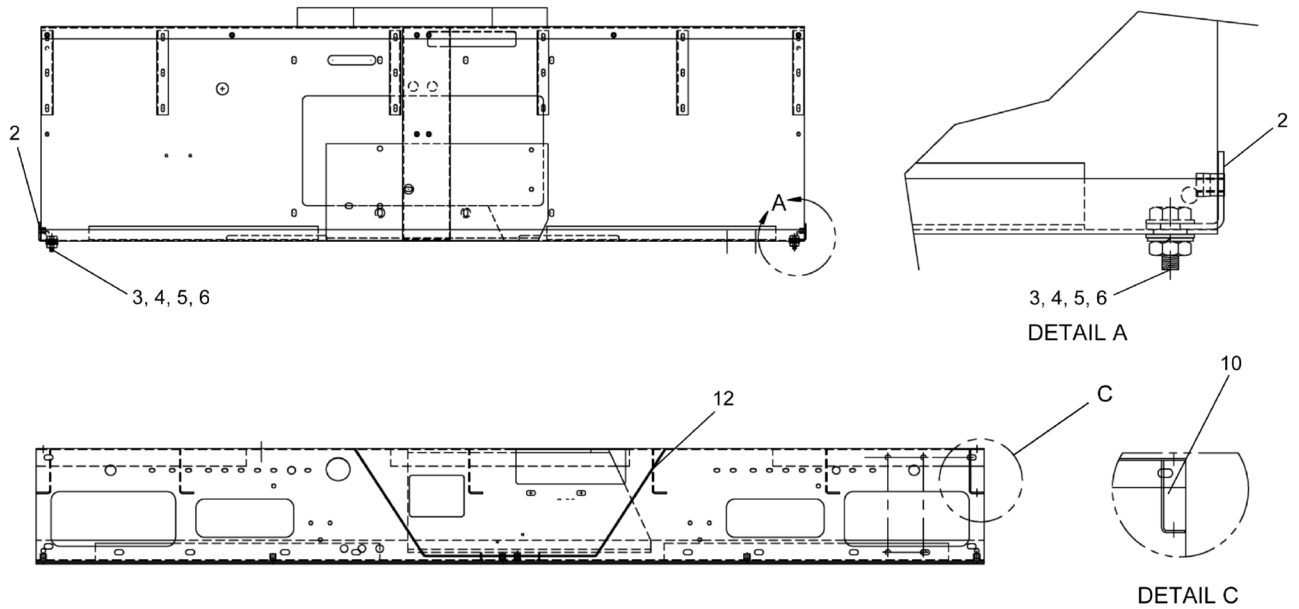
DATE: Revised 01-2015

MODEL: 35-100

PAGE: 56

CHAPTER

1



WHEN ORDERING PARTS, SPECIFY MODEL NUMBER, SERIAL NUMBER AND DESCRIPTION OF PARTS REQUIRED



CONTROL CONSOLE ASSEMBLY/WELDMENT (GRAY)

DATE: Revised 06-2016

MODEL: 35-100

PAGE: 57

CHAPTER

1

<u>REF</u>	<u>PART NO.</u>	<u>DESCRIPTION</u>	<u>QTY</u>
	T128048 (Rev. B)	<i>Control Console ASSY/Weldment (Gray)</i>	
1	T11-312C000-CD	Thread SERT 0.3125-18, ST CAD	8
2	785-01779	End Cap Mounting Angle	2
3	SHF-375CA00-25	SCR, HHCS FT 0.375-16 X 1.00, ST SQC G5	4
4	WAR-375X000-20	WSH, FL TYP A-REG 0.375, ST Z	8
5	W07-375X000-20	WSH, LCK, MED SPLT 0.375, ST Z	4
6	N04-375C000-25	Nut, HEX 0.375-16 ST Z GR5	4
7	T128050	Console, Control Back Support	1
8	809-00490	Valve Mount Control Console	1
9	809-00491	Support CHAN Control Console	1
10	809-00376	Support Angle Control Console	6
11	809-00395	Support Angle Subweldment	1
12	809-00493	Cover Stop Plate Control Console	1

WHEN ORDERING PARTS, SPECIFY MODEL NUMBER, SERIAL NUMBER AND DESCRIPTION OF PARTS REQUIRED



**CONTROL CONSOLE
ASSEMBLY/WELDMENT (GRAY)**

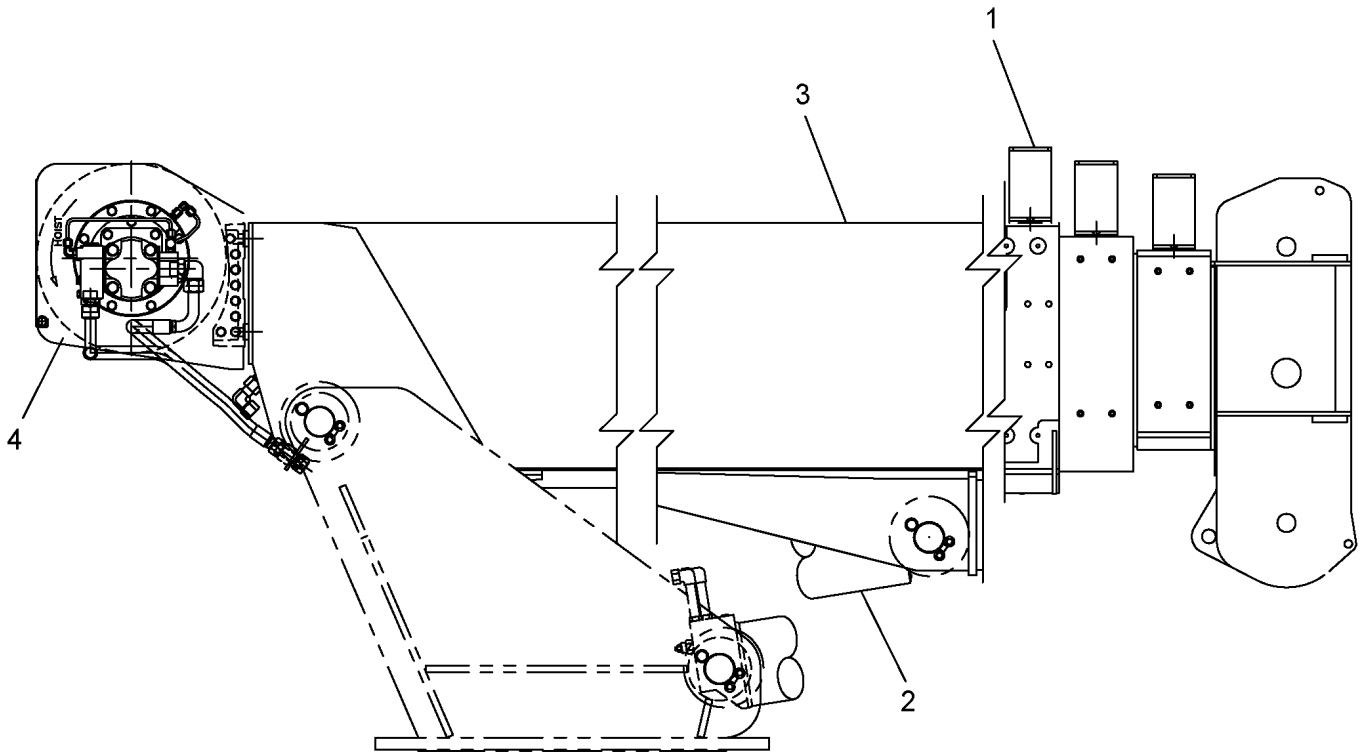
DATE: Revised 06-2016

MODEL: 35-100

PAGE: 58

CHAPTER

1



<u>REF</u>	<u>PART NO.</u>	<u>DESCRIPTION</u>	<u>QTY</u>
	720-01007-14 (Rev. Q)	<i>Boom/Winch/Top CYL/Guide CYL/Boom Cable Guide INSTL (White)</i>	
1	721-00238-3	Cable Guide INSTL (see page 24)	1
2	548-00054-5	Topping Cylinder ASSY (35-100) (see page 25)	1
3	721-00244	Boom Assembly 100 FT WHT (4 Stage) (see page 28)	1
4	717-00053-3	2 Speed Winch Installation (White) (see page 61)	1
5*	508-00087-1	ATB/LMI INSTL (Greer) (see page 41)	1
6*	800-50054-6	Control Console ASSY 35-100 Series MS Winch (Gray) (see page 76)	1

* ITEM NOT SHOWN IN ILLUSTRATION

WHEN ORDERING PARTS, SPECIFY MODEL NUMBER, SERIAL NUMBER AND DESCRIPTION OF PARTS REQUIRED



**BOOM / WINCH / TOP CYL /
GUIDE CYL/BOOM CABLE GUIDE
INSTL (WHITE)**

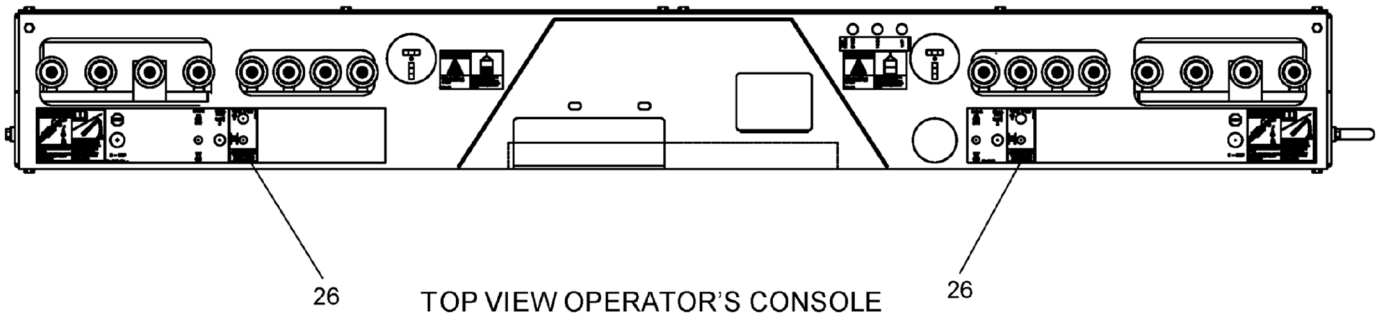
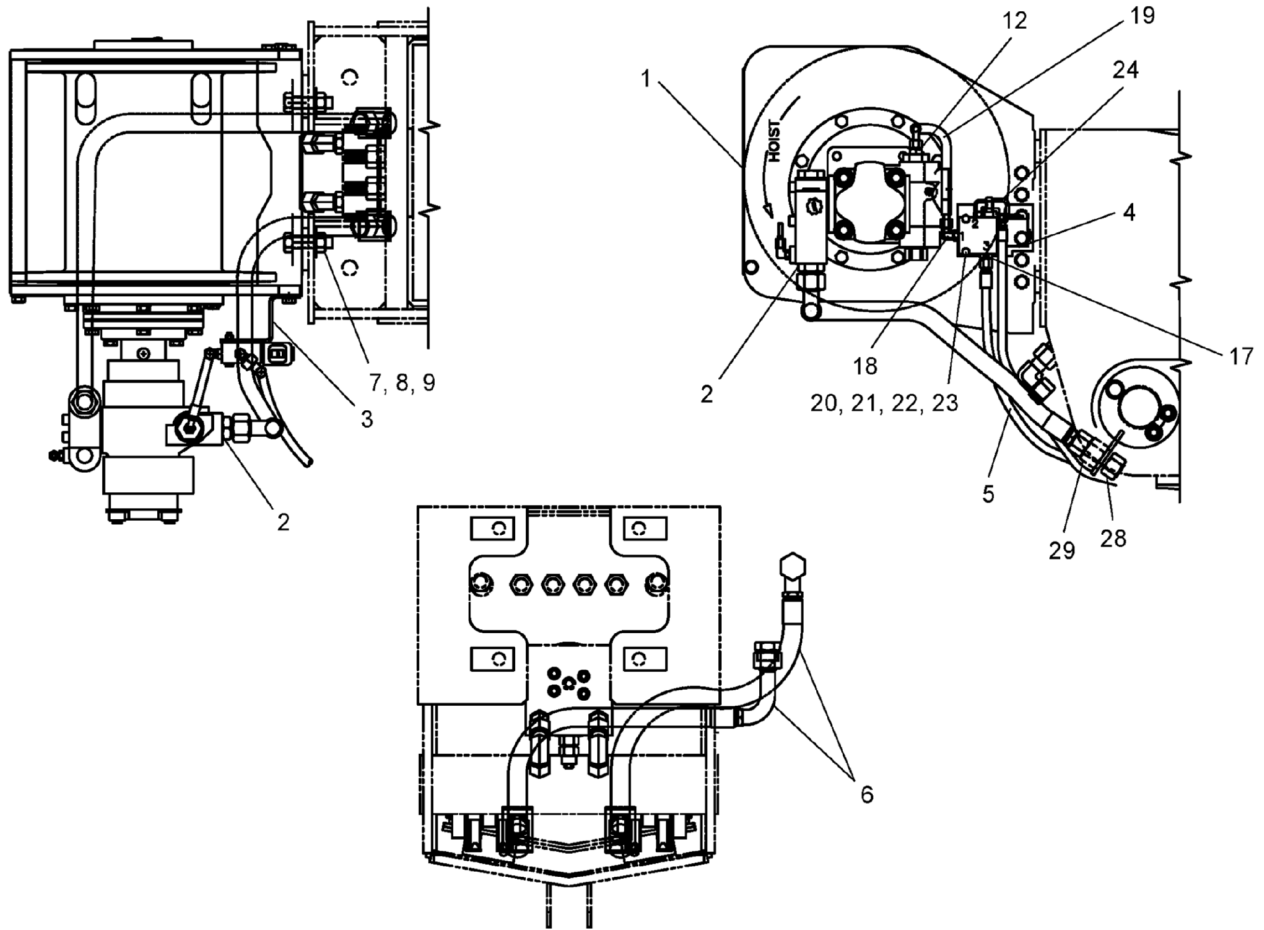
DATE: Revised 01-2015

MODEL: 35-100

PAGE: 59

CHAPTER

1



WHEN ORDERING PARTS, SPECIFY MODEL NUMBER, SERIAL NUMBER AND DESCRIPTION OF PARTS REQUIRED



2 SPEED WINCH INSTALLATION (WHITE)

DATE: Revised 05-2018

MODEL: 35-100

PAGE: 60

CHAPTER

1

<u>REF</u>	<u>PART NO.</u>	<u>DESCRIPTION</u>	<u>QTY</u>
	717-00053-3 (Rev. J)	2 Speed Winch Installation (White)	
1	293-00045	Planetary Drive Winch ASSY (see page 64)	1
2	513-90032	STR CONN M#16 OFS X M#16 ORB	2
3	775-00187	Bracket, Valve SUPT.	1
4	551-10032	Valve ASSY, Solenoid	1
5	502-11087	Hose ASSY, 1/4" I.D.	1
6	502-40908	Hose ASSY, 3/4" I.D.	2
7	S01-750CB50-Y8	SCR, HHCS 0.75-10X2.50, ST SQC G8	4
8	WAH-75NX000-20	WSH, FL HRD A-NRW 0.75 ST SQC	8
9	NYL-750C000-Y8	HEX Nut NYL-INS 0.75-10, ST Z GR8	4
10*	552-10026	Check Valve	1
11*	570-11001	Coupling, 1/4 NPT	1
12	513-20027	STR CONN M#6 OFS X M#4 MPTF	1
13*	502-20998	Hose, 3/8 X 11.5 F#6 OFS X F#6 OFS 90°	1
14*	502-20999	Hose, 3/8 X 16 F#6 OFS X F#6 OFS 90°	1
15*	514-04010	90 Elbow STD-M#6 OFS M#4 ORB	1
16*	516-84003	Tee, 2X M#4 OFS X M#4 ORB	2
17	513-20019	STR CONN M#4 OFS X M#6 ORB	1
18	514-52005	90 Elbow M#4 OFS X M#6 ORB	1
19	502-11310	Hose, 1/4 X 9 F#4 OFS X F#4 OFS 90°	1
20	S01-250CB00-25	SCR, HHCS, 0.25-20 X 2.00, ST Z G5	2
21	WBR-25RX734-20	WSH, FL TYPB-REG 0.25, ST SQC	2
22	W07-250X000-20	WSH, LCK, MED SPLT 0.25 ST Z	2
23	N04-250C000-25	Nut, HEX 025-20 ST Z GR5	2
24	513-40014	STR CONN, M#6 OFS X M#6 ORB	1
25*	513-20017	STR CONN, M#4 OFS X M#4 ORB	1
26	651-00429	Decal, Motor Shift Winch	2
27*	519-70032	Cap, 5/8" Tube F#10 OFS	2
28	518-60007	Bulkhead Union, 12WLD W/LN	2
29	514-52003	Elbow 90 S.N. #4 OFS	2

* ITEM NOT SHOWN IN ILLUSTRATION

WHEN ORDERING PARTS, SPECIFY MODEL NUMBER, SERIAL NUMBER AND DESCRIPTION OF PARTS REQUIRED



2 SPEED WINCH INSTALLATION (WHITE)

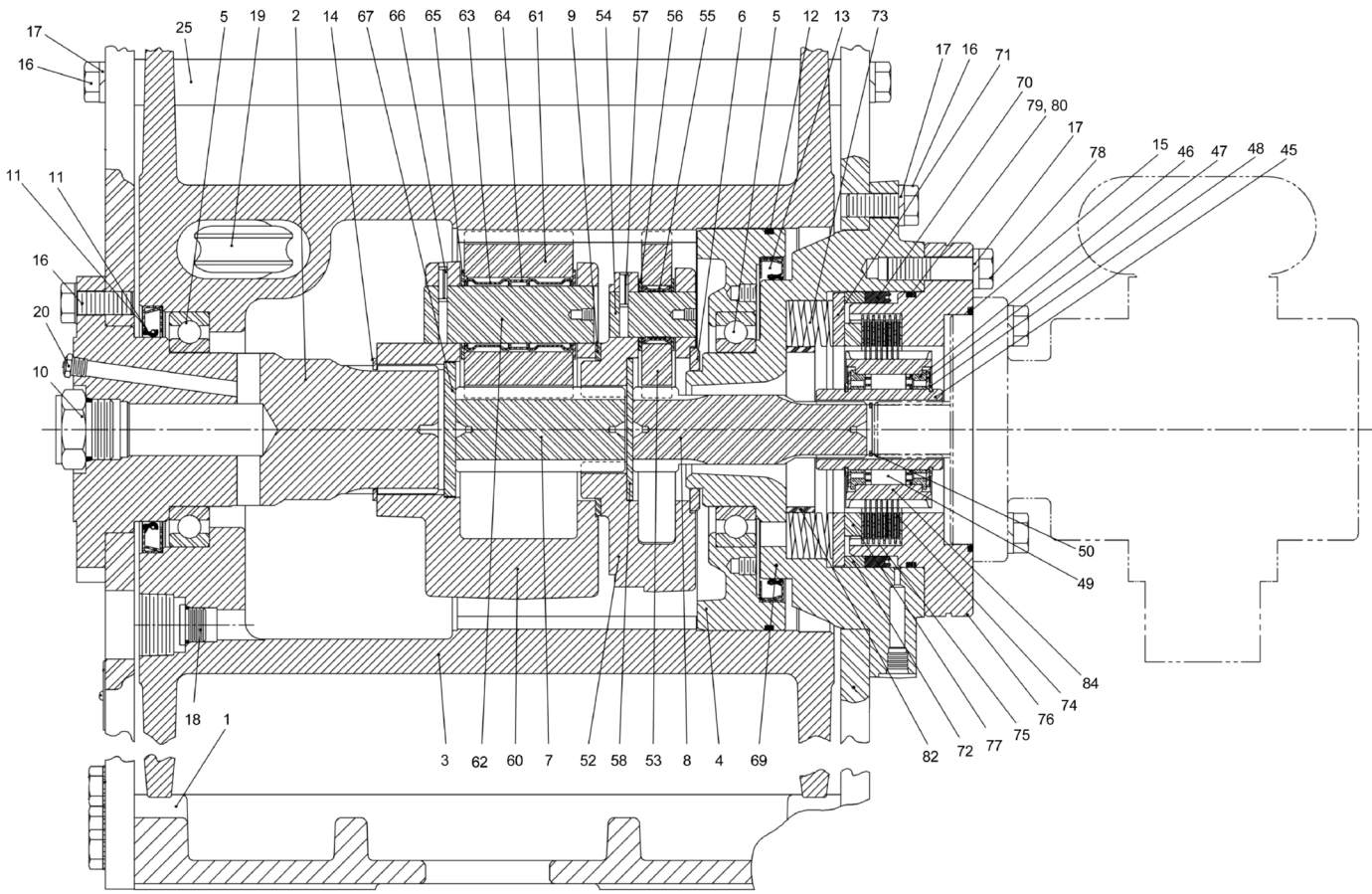
DATE: Revised 05-2018

MODEL: 35-100

PAGE: 61

CHAPTER

1



WHEN ORDERING PARTS, SPECIFY MODEL NUMBER, SERIAL NUMBER AND DESCRIPTION OF PARTS REQUIRED



WINCH ASSEMBLY (BRADEN)

DATE: Released 05-2018

MODEL: 35-100

PAGE: 62

CHAPTER

1

<u>REF</u>	<u>PART NO.</u>	<u>DESCRIPTION</u>	<u>QTY</u>
	293-00045 (Rev. 00)	<i>Planetary Drive Winch ASSY</i>	
	228528	Seal Kit	1
1	229175	Base	1
2	224971	Bearing Support, SP Only	1
3	229176	Cable Drum	1
4	219182	Cable Drum Closure	1
5	215440	Ball Bearing	2
6	215445	Thrust Washer	1
7	215448	Output Sun Gear	1
8	229177	Primary Sun Gear	1
9	215455	Thrust Washer	1
10	224978	Plug	1
11	215441	Oil Seal	1
12	215442	O-Ring	1
13	215443	Seal-Oil	1
14	215444	Retaining Ring, External	1
15	215465	Motor Pilot O-Ring	1
16	220135	Capscrew	22
17	215470	Lockwasher *	14
18	215457	16496-8 Plug,O-Ring Flush	1
19	215473	Cable Wedge	1
20	229180	Relief Valve 7.5-15 PSI	1
21*	228524	Sideplate, Motor	1
22*	228525	Sideplate, Support	1
23*	219424	Capscrew	16
24*	224982	Lockwasher KEV *1	24
25	224977	Spacer	2
26*	219465	O-Ring	1
27*	215524	Capscrew	4
28*	219757	Hose ASSY	1
29*	218991	Hose ASSY	1
30*	215527	Adapter	2
31*	218755	Swivel Tee	1
32*	215526	Elbow Fitting	1
33*	225006	Reducer Elbow	1
34*	225003	HEX HEAD PLUG (-4SAE)	1
35*	225007	Hose ASSY	1
36*	225009	Tee, -4 ORB	1
37*	225010	Warning Tag	1
38*	225011	16445-4 Cap Nut	1
39*	228854	Cover. Back PD15B	1
40*	215495	Pipe Plug	1
41*	218656	Name plate, GH5, PD5 Winches	1
42*	218655	Drive Screw	4
43*	228526	HYD Motor SUB ASSY	1
43.1	228527	HYD Motor, 2-Speed	1
44*	215553	Sprag Clutch ASSY (C SPL SHAF) (see page 65)	1
45	224376	Inner Brake Race	1
46	215723	Prag Bearing	2
47	215557	Thrust Bearing	2

* ITEM NOT SHOWN IN ILLUSTRATION.

WHEN ORDERING PARTS, SPECIFY MODEL NUMBER, SERIAL NUMBER AND DESCRIPTION OF PARTS REQUIRED



WINCH ASSEMBLY (BRADEN)

DATE: Released 05-2018

MODEL: 35-100

PAGE: 63

CHAPTER

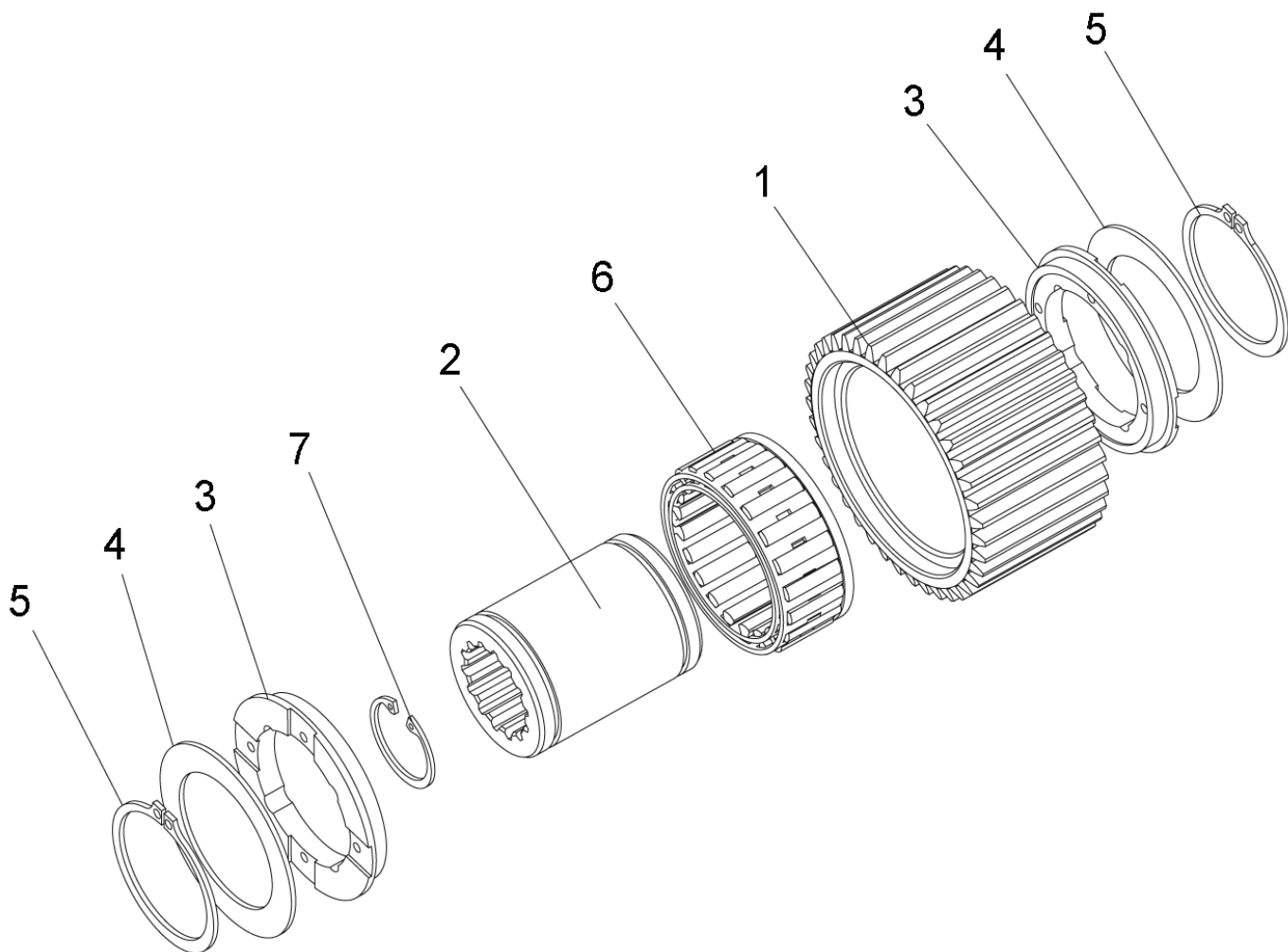
1

<u>REF</u>	<u>PART NO.</u>	<u>DESCRIPTION</u>	<u>QTY</u>
	293-00045 (Rev. 00)	<i>Planetary Drive Winch ASSY</i>	
48	215725	21-B3-1 Snap Ring	2
49	215466	Sprag Clutch	1
50	215560	Retaining Ring	1
51*	229171	Primary Planet Carrier Assembly (see page 66)	1
52	229172	Primary Planet Carrier	1
53	229173	Primary Planet Gear	3
54	215427	Primary Planet Gear Shaft	3
55	215428	Roller Bearing	3
56	229174	Thrust Washer	6
57	215430	Spirol Pin	3
58	215451	Spacer, Primary	1
59*	218981	Planet Carrier Assembly (see page 67)	1
60	215431	Planet Carrier	1
61	215432	Planet Gear	3
62	215433	Planet Gear Shaft	3
63	215434	Roller Bearing	6
64	215435	Bearing Spacer	3
65	215436	Thrust Washer	6
66	218982	Pin-Spirol	3
67	215474	Spacer, Output	1
68*	224377	Brake CYL ASSY - 4 Bolt C (see page 69)	1
69	215418	Brake Cylinder	1
70	215419	Seal	1
71	215420	Pressure Plate	1
72	215421	Piston Backup Ring	1
73	215422	Die Spring	12
74	215423	850170 Disc-Friction	7
75	215424	Brake Disk	8
76	224378	Motor Support	1
77	215450	Spacer	1
78	224379	Capscrew *	4
79	229178	O-Ring	1
80	229179	Back-Up Ring	1
81*	215468	Shipping Plug Hyd	1
82	218782	Spring Spacer	1
83*	224999	Brake Valve Assembly (see page 71)	1
84	229170	Outer Brake Race	1

* ITEM NOT SHOWN IN ILLUSTRATION.

WHEN ORDERING PARTS, SPECIFY MODEL NUMBER, SERIAL NUMBER AND DESCRIPTION OF PARTS REQUIRED

	<h2>WINCH ASSEMBLY (BRADEN)</h2>	DATE: Released 05-2018	CHAPTER 1
		MODEL: 35-100	
		PAGE: 64	



<u>REF</u>	<u>PART NO.</u>	<u>DESCRIPTION</u>	<u>QTY</u>
	215553 (Rev. 00)	<i>Sprag Clutch ASSY (C SPL SHAF)</i>	
1	229170	Outer Brake Race	1
2	224376	Inner Brake Race	1
3	215723	Prag Bearing	2
4	215557	Thrust Bearing	2
5	215725	21-B3-1 Snap Ring	2
6	215466	Sprag Clutch	1
7	215560	Retaining Ring	1

WHEN ORDERING PARTS, SPECIFY MODEL NUMBER, SERIAL NUMBER AND DESCRIPTION OF PARTS REQUIRED



BRAKE CLUTCH ASSEMBLY

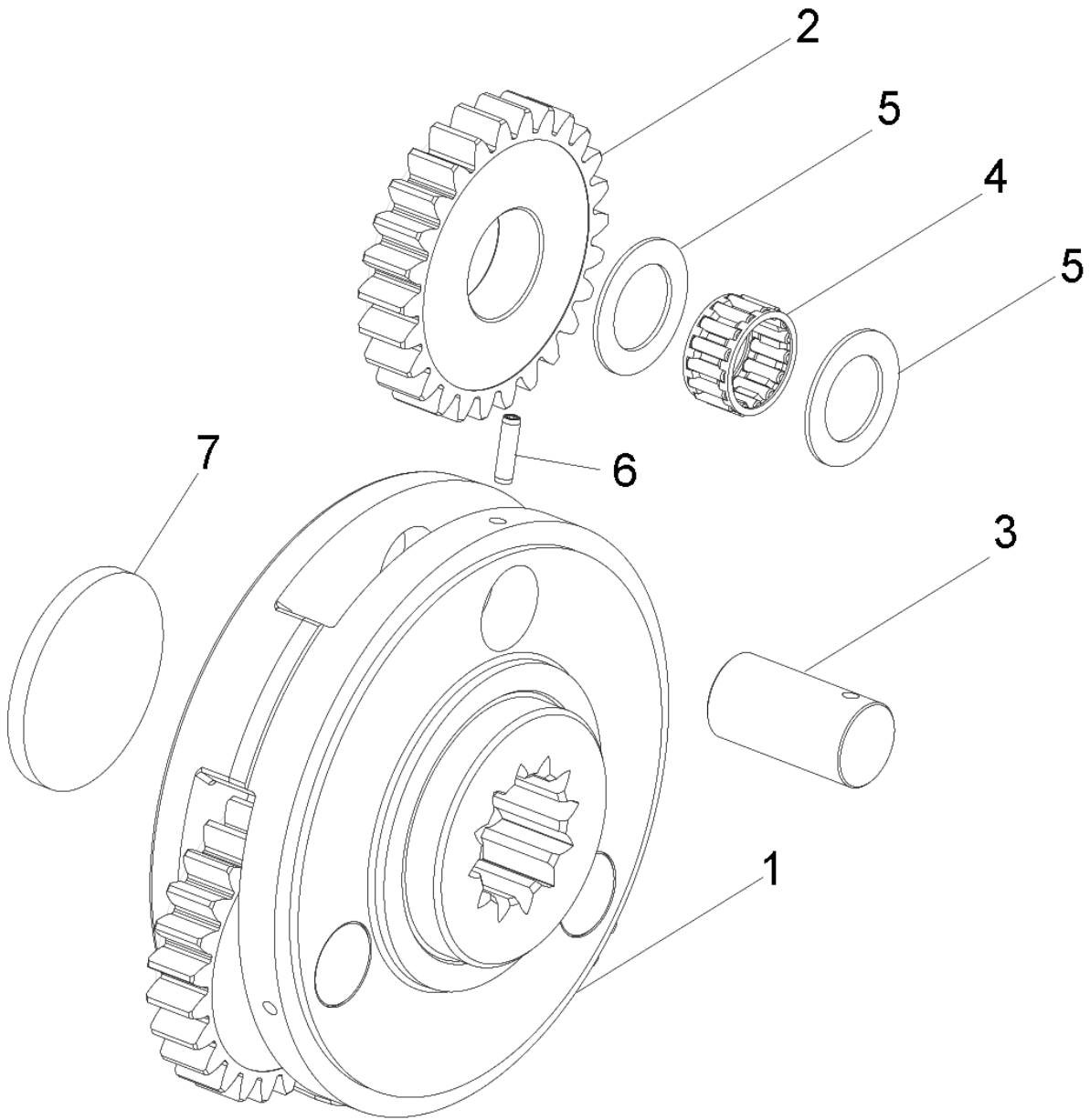
DATE: Released 05-2018

MODEL: 35-100

PAGE: 65

CHAPTER

1



<u>REF</u>	<u>PART NO.</u>	<u>DESCRIPTION</u>	<u>QTY</u>
	229171 (Rev. 00)	<i>Primary Planet Carrier Assembly</i>	
1	229172	Primary Planet Carrier	1
2	229173	Primary Planet Gear	3
3	215427	Primary Planet Gear Shaft	3
4	215428	Roller Bearing	3
5	229174	Thrust Washer	6
6	215430	Spirol Pin	3
7	215451	Spacer, Primary	1

WHEN ORDERING PARTS, SPECIFY MODEL NUMBER, SERIAL NUMBER AND DESCRIPTION OF PARTS REQUIRED



PRIMARY PLANET CARRIER ASSEMBLY

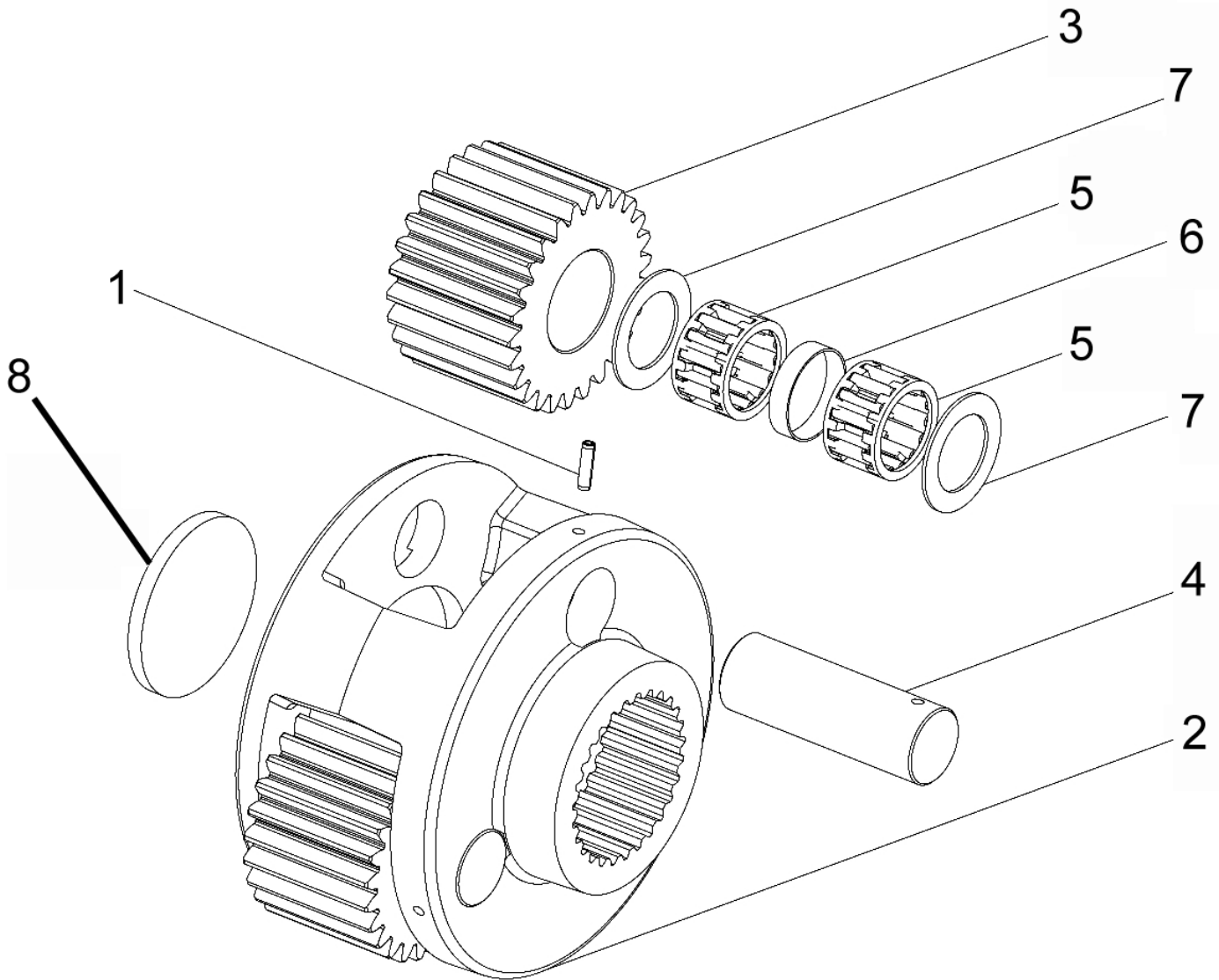
DATE: Released 05-2018

MODEL: 35-100

PAGE: 66

CHAPTER

1



<u>REF</u>	<u>PART NO.</u>	<u>DESCRIPTION</u>	<u>QTY</u>
	218981 (Rev. 00)	<i>Planet Carrier Assembly</i>	
1	218982	Pin-Spirol	
2	215431	Planet Carrier	
3	215432	Planet Gear	
4	215433	Planet Gear Shaft	
5	215434	Roller Bearing	
6	215435	Bearing Spacer	
7	215436	Thrust Washer	
8	215474	Spacer, Output	

WHEN ORDERING PARTS, SPECIFY MODEL NUMBER, SERIAL NUMBER AND DESCRIPTION OF PARTS REQUIRED



PLANET CARRIER ASSEMBLY

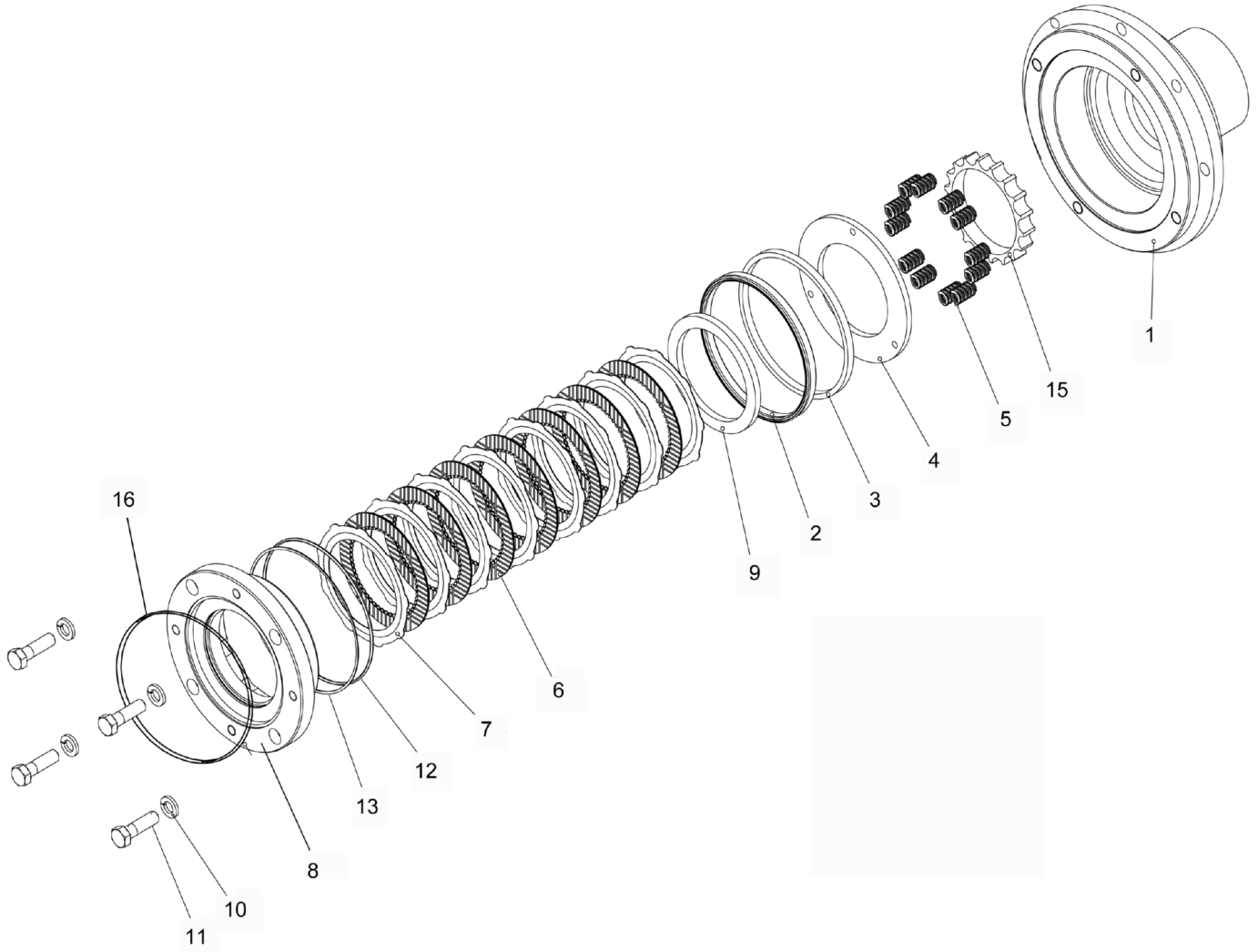
DATE: Released 05-2018

MODEL: 35-100

PAGE: 67

CHAPTER

1



WHEN ORDERING PARTS, SPECIFY MODEL NUMBER, SERIAL NUMBER AND DESCRIPTION OF PARTS REQUIRED



BRAKE CYLINDER ASSEMBLY

DATE: Released 05-2018

MODEL: 35-100

PAGE: 68

CHAPTER

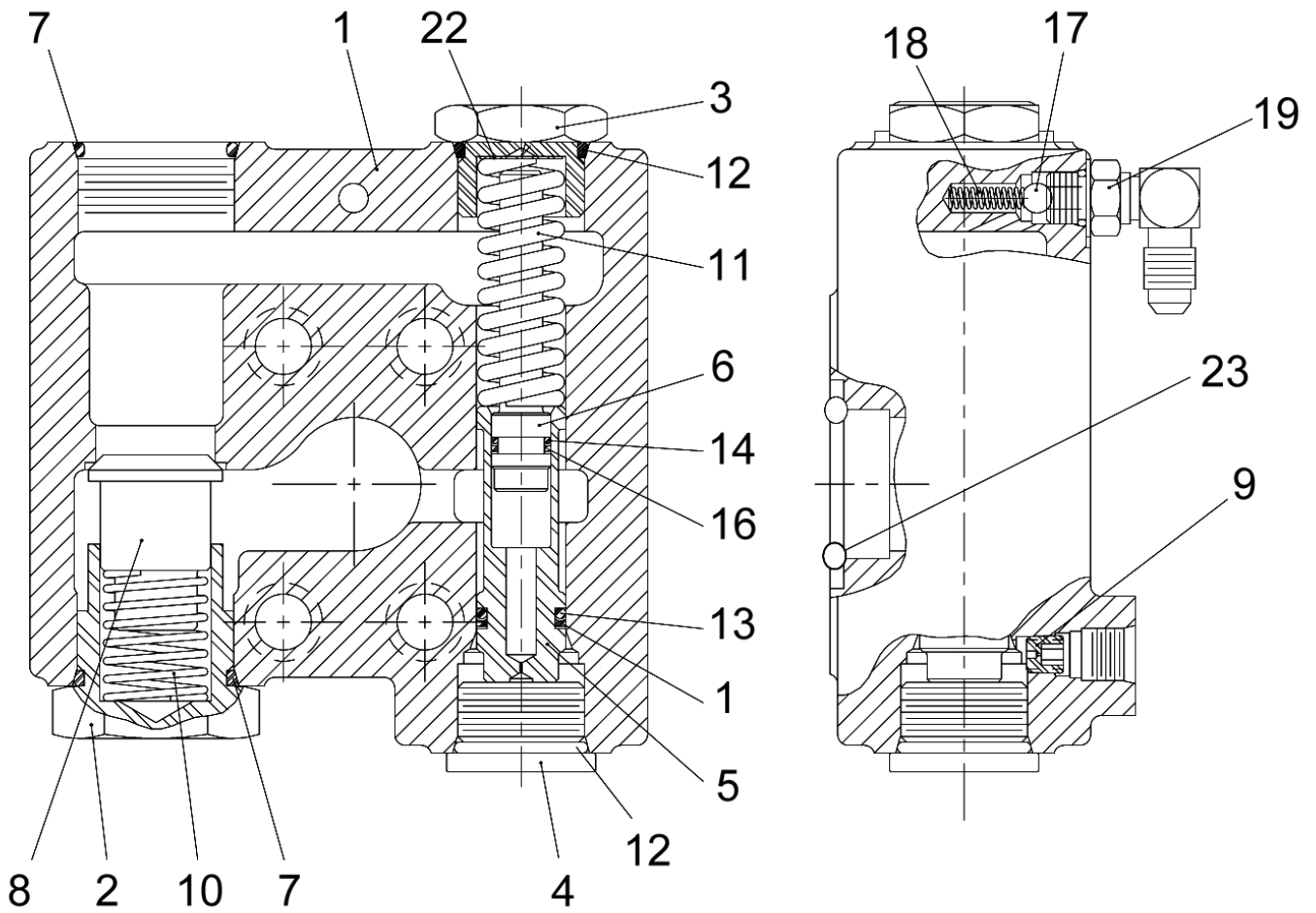
1

<u>REF</u>	<u>PART NO.</u>	<u>DESCRIPTION</u>	<u>QTY</u>
	224377 (Rev. 00)	<i>Brake CYL ASSY - 4 Bolt C</i>	
1	215418	Brake Cylinder	1
2	215419	Seal	1
3	215420	Pressure Plate	1
4	215421	Piston Backup Ring	1
5	215422	Die Spring	12
6	215423	850170 Disc-Friction	7
7	215424	Brake Disk	8
8	224378	Motor Support	1
9	215450	Spacer	1
10	215470	Lockwasher *	4
11	224379	Capscrew *	4
12	229178	O-Ring	1
13	229179	Back-Up Ring	1
14*	215468	Shipping Plug Hyd	1
15	218782	Spring Spacer	1
16	215465	Motor Pilot O-Ring	1

* ITEM NOT SHOWN IN ILLUSTRATION.

WHEN ORDERING PARTS, SPECIFY MODEL NUMBER, SERIAL NUMBER AND DESCRIPTION OF PARTS REQUIRED

	<h2>BRAKE CYLINDER ASSEMBLY</h2>	DATE: Released 05-2018	CHAPTER 1
		MODEL: 35-100	
		PAGE: 69	



WHEN ORDERING PARTS, SPECIFY MODEL NUMBER, SERIAL NUMBER AND DESCRIPTION OF PARTS REQUIRED



BRAKE VALVE ASSEMBLY

DATE: Released 05-2018

MODEL: 35-100

PAGE: 70

CHAPTER

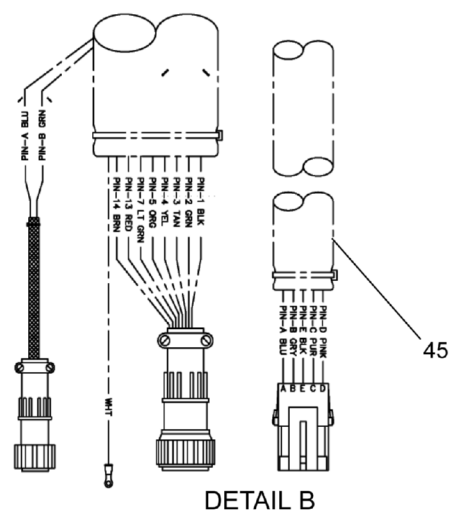
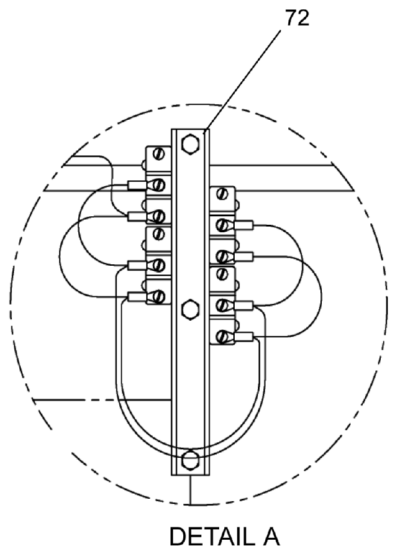
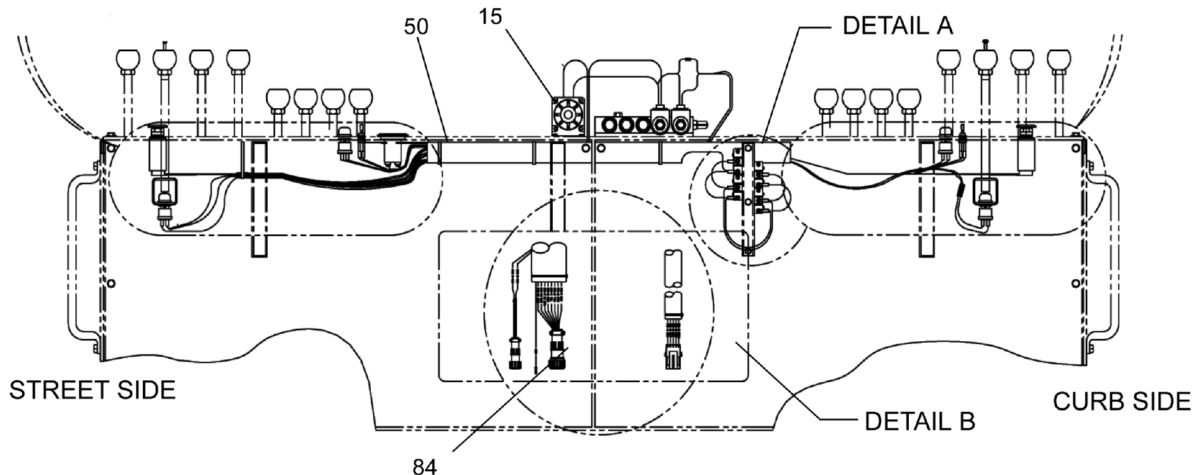
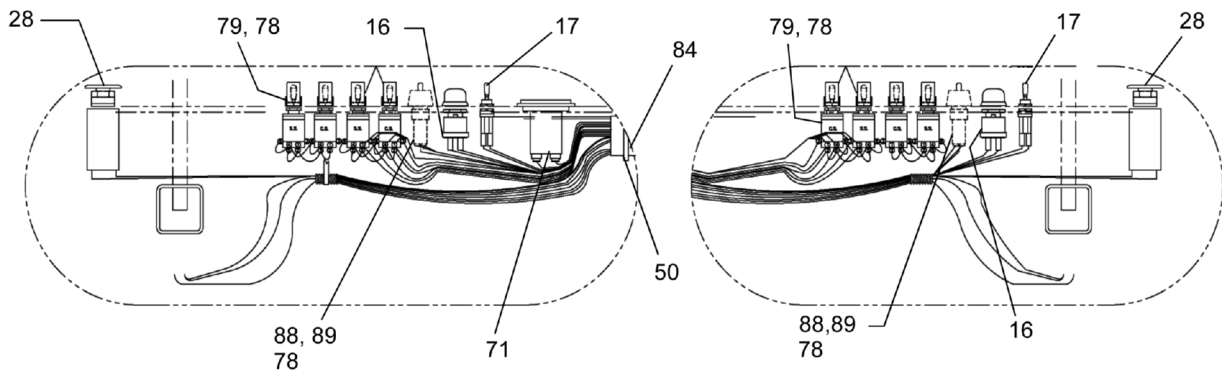
1

<u>REF</u>	<u>PART NO.</u>	<u>DESCRIPTION</u>	<u>QTY</u>
	224999 (Rev. 00)	<i>Brake Valve Assembly</i>	
1	224997	Brake Valve Housing	1
2	224998	Valve Spring Retainer	1
3	215479	Spring Retainer	1
4	215480	Plug	1
5	215481	Spool	1
6	215482	Damper Piston	1
7	215483	O-Ring	2
8	225000	Check Valve Poppet	1
9	215485	Pilot Orifice	1
10	215486	Check Valve Spring	1
11	215487	Spool Spring	1
12	215488	O-Ring	1
13	215489	O-Ring	1
14	215490	O-Ring	1
15*	215491	Back-Up Ring	1
16	215492	Back-Up Ring	1
17	230158	Ball, Steel	1
18	230159	Compression Spring	1
19	225003	HEX HEAD PLUG (-4SAE)	1
20*	215468	Shipping Plug Hyd	1
21*	225001	Shipping Plug	1
22	225002	Shim, Valve Spring	1.5
23	219465	O-Ring	1

* ITEM NOT SHOWN IN ILLUSTRATION.

WHEN ORDERING PARTS, SPECIFY MODEL NUMBER, SERIAL NUMBER AND DESCRIPTION OF PARTS REQUIRED

	<h1>BRAKE VALVE ASSEMBLY</h1>	DATE: Released 05-2018	CHAPTER 1
		MODEL: 35-100	
		PAGE: 71	



FOR MS WINCH 800-50054-6

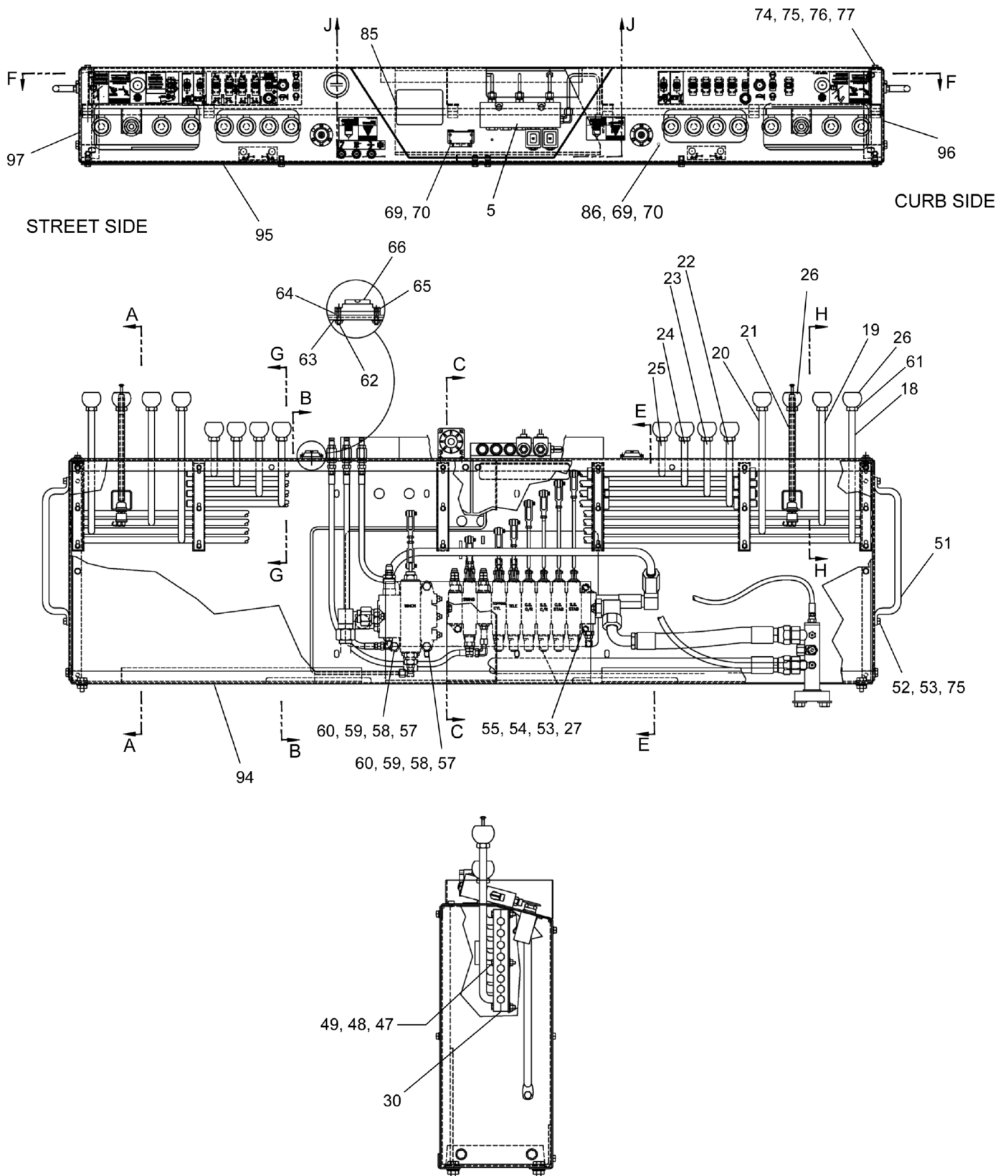
WHEN ORDERING PARTS, SPECIFY MODEL NUMBER, SERIAL NUMBER AND DESCRIPTION OF PARTS REQUIRED



CONTROL CONSOLE ASSEMBLY
35-100 CF/MS WINCH (GRAY)

DATE: Revised 01-2015
 MODEL: 35-100
 PAGE: 72

CHAPTER
1



WHEN ORDERING PARTS, SPECIFY MODEL NUMBER, SERIAL NUMBER AND DESCRIPTION OF PARTS REQUIRED



CONTROL CONSOLE ASSEMBLY

35-100 CF/MS WINCH (GRAY)

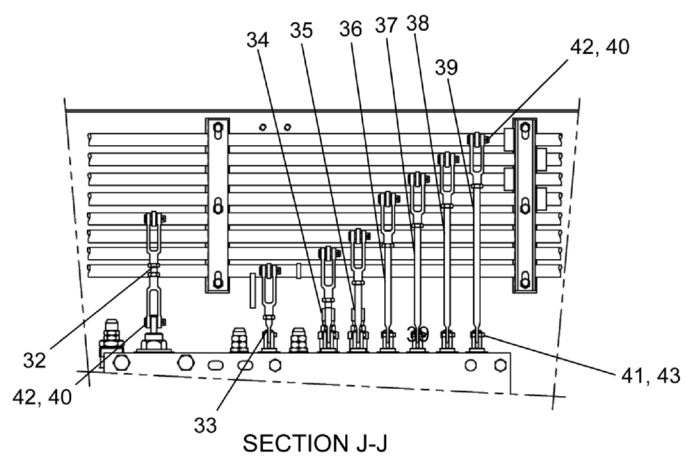
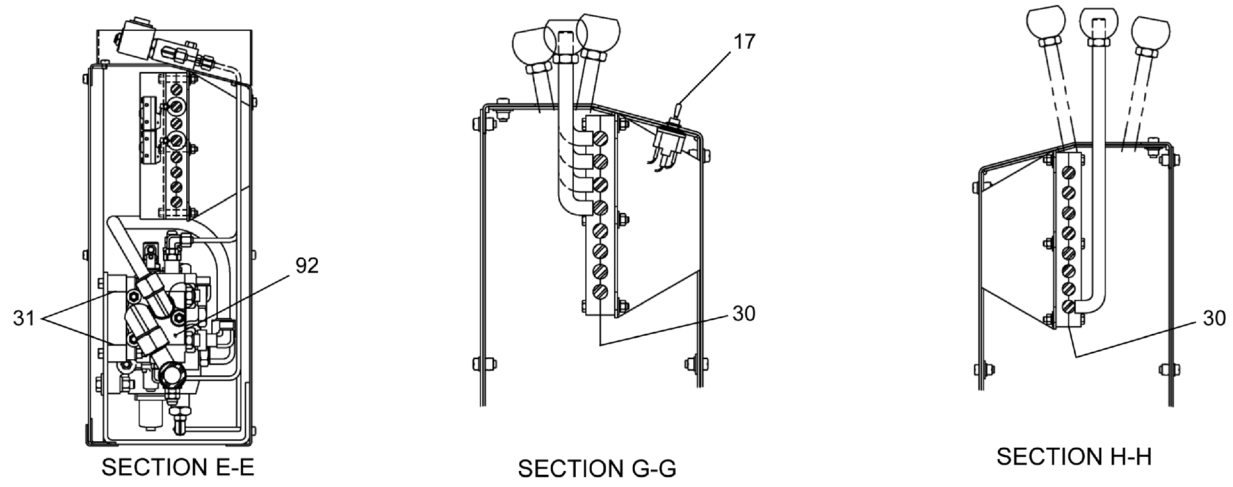
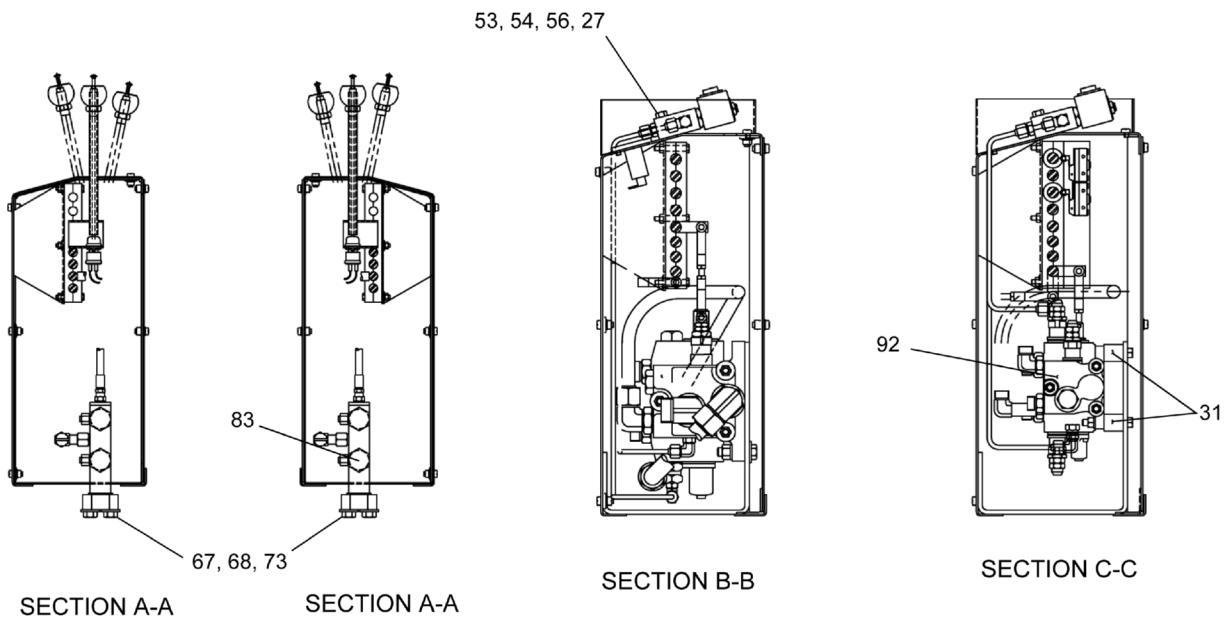
DATE: Revised 01-2015

MODEL: 35-100

PAGE: 73

CHAPTER

1



WHEN ORDERING PARTS, SPECIFY MODEL NUMBER, SERIAL NUMBER AND DESCRIPTION OF PARTS REQUIRED



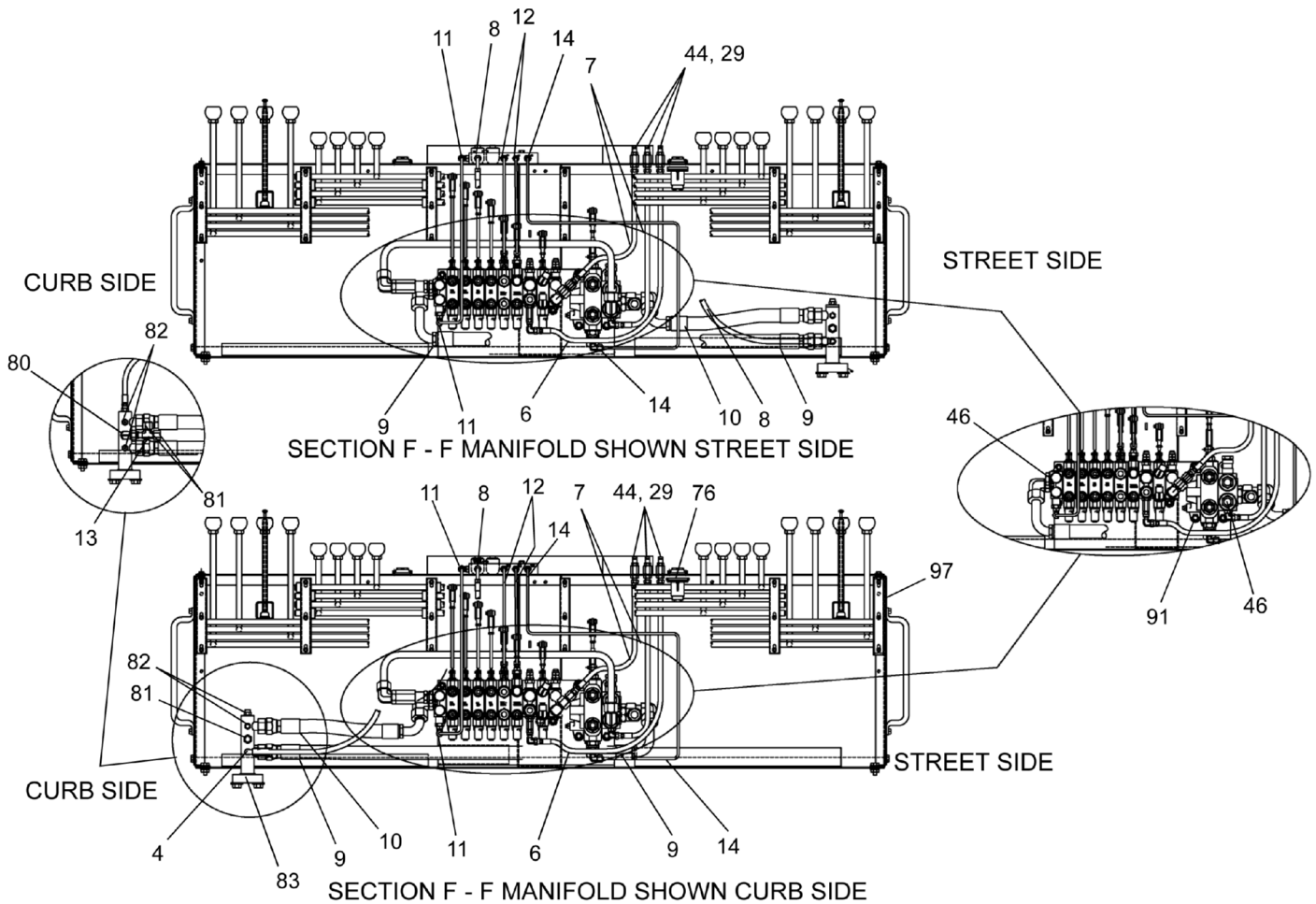
CONTROL CONSOLE ASSEMBLY

35-100 CF/MS WINCH (GRAY)

DATE: Revised 01-2015

MODEL: 35-100

PAGE: 74



WHEN ORDERING PARTS, SPECIFY MODEL NUMBER, SERIAL NUMBER AND DESCRIPTION OF PARTS REQUIRED



CONTROL CONSOLE ASSEMBLY 35-100 CF/MS WINCH (GRAY)

DATE: Revised 01-2015

MODEL: 35-100

PAGE: 75

CHAPTER

1

REF	PART NO.	DESCRIPTION	QTY
	800-50054-6 (Rev. R)	Control Console ASSY 35-100 Series MS Winch (Gray)	
1*	503-92025	Hose Kit, Control ASSY (Item Includes 6 to 10)	1
2*	T128313	Kit - Control Handle, Weldment (Item Includes 18 to 25)	1
3*	806-00247	Kit - Control Link, Triple Pump (Item Includes 32 to 39)	1
4	514-52002	Elbow 90 S.N. #4 OFS	1
5	500-01397	Valve ASSY, Unload W/FTGS (see page 52)	1
6	502-10973	Hose ASSY, Test Port-Shuttle Valve	1
7	502-11308	Hose ASSY, Test Port-Winch/Swing Valves	2
8	502-10999	Hose ASSY, Unload Valve Return	1
9	502-50313	Hose ASSY, Valve Return	1
10	502-50314	Hose ASSY, Valve Return	1
11	510-20457	Tube ASSY, Unload VLV SUP.	1
12	510-20372	Tube ASSY, Telescopic Unload	2
13	516-85006	Tee, Run M#8 OFS X M#8 OFS	1
14	510-20459	Tube ASSY, Winch Unload	1
15	400-05334	Horn, ATB, ECA	1
16	400-04125	Switch Momentary	2
17	400-04123	Switch Start/Stop	2
18	T128312	Control Handle, Weldment (Swing)	1
19	T128311	Control Handle, Weldment (Boom Hoist)	1
20	T128310	Control Handle, Weldment (Telescope)	1
21	T128309	Control Handle, Weldment (Winch)	1
22	804-00811	Control Handle, C.S. O/R	1
23	804-00812	Control Handle, S.S. O/R	1
24	804-00809	Control Handle, C.S. AX O/R	1
25	804-00810	Control Handle, S.S. AX O/R	1
26	808-00048	Knob, Control (Black)	16
27	WBR-37RXA00-20	WSH, FL TYPB-REG 0.375, ST SQC	6
28	1223-981	E-Stop Push Button	2
29	12019-558	Dust Cover (Test Port)	3
30	709-01119	Block, Bearing	12
31	001-20057	Spacer, Valve Spacer	4
32	806-00243	CTRL Link ASSY, - Winch (2-1141)	1
33	806-00235	CTRL Link ASSY, - Swing (2-1139)	1
34	806-00236	CTRL Link ASSY, - Boom (2-1139)	1
35	806-00237	CTRL Link ASSY, - Tele (2-1139)	1
36	806-00238	CTRL Link ASSY, - C.S. O.R. (2-1139)	1
37	806-00239	CTRL Link ASSY, - S.S. O/R (2-1139)	1
38	806-00240	CTRL Link ASSY, - C.S. STB (2-1139)	1
39	806-00241	CTRL Link ASSY, S.S. STB (2-1139)	1
40	870-00129	Pin, CLEVIS 5/16 DIA	9
41	870-00044	Pin, CLEVIS 3/16 DIA	7
42	224-02001	Pin, Cotter 1/8 X 3/4"	9
43	224-01001	Cotter Pin 3/32D X 1/2 LG	7
44	518-20013	Test Port Bulkhead Seal-LOK #4	3
45	400-25189	Harness ASSY, CON. AUX O/R	2
46	519-70032	Cap, 5/8" Tube F#10 OFS	2
47	WBR-25RX734-20	WSH, FL TYPB-REG 0.25, ST SQC	18
48	NYL-250C000-25	Nut, HEX NYL-INS 0.25-20, ST SQC G5	18
49	S01-250CB00-25	SCR, HHCS, 0.25-20 X 2.00, ST Z G5	18

* ITEM NOT SHOWN IN ILLUSTRATION

WHEN ORDERING PARTS, SPECIFY MODEL NUMBER, SERIAL NUMBER AND DESCRIPTION OF PARTS REQUIRED



CONTROL CONSOLE ASSEMBLY 35-100 CF/MS WINCH (GRAY)

DATE: Revised 01-2015

MODEL: 35-100

PAGE: 76

CHAPTER

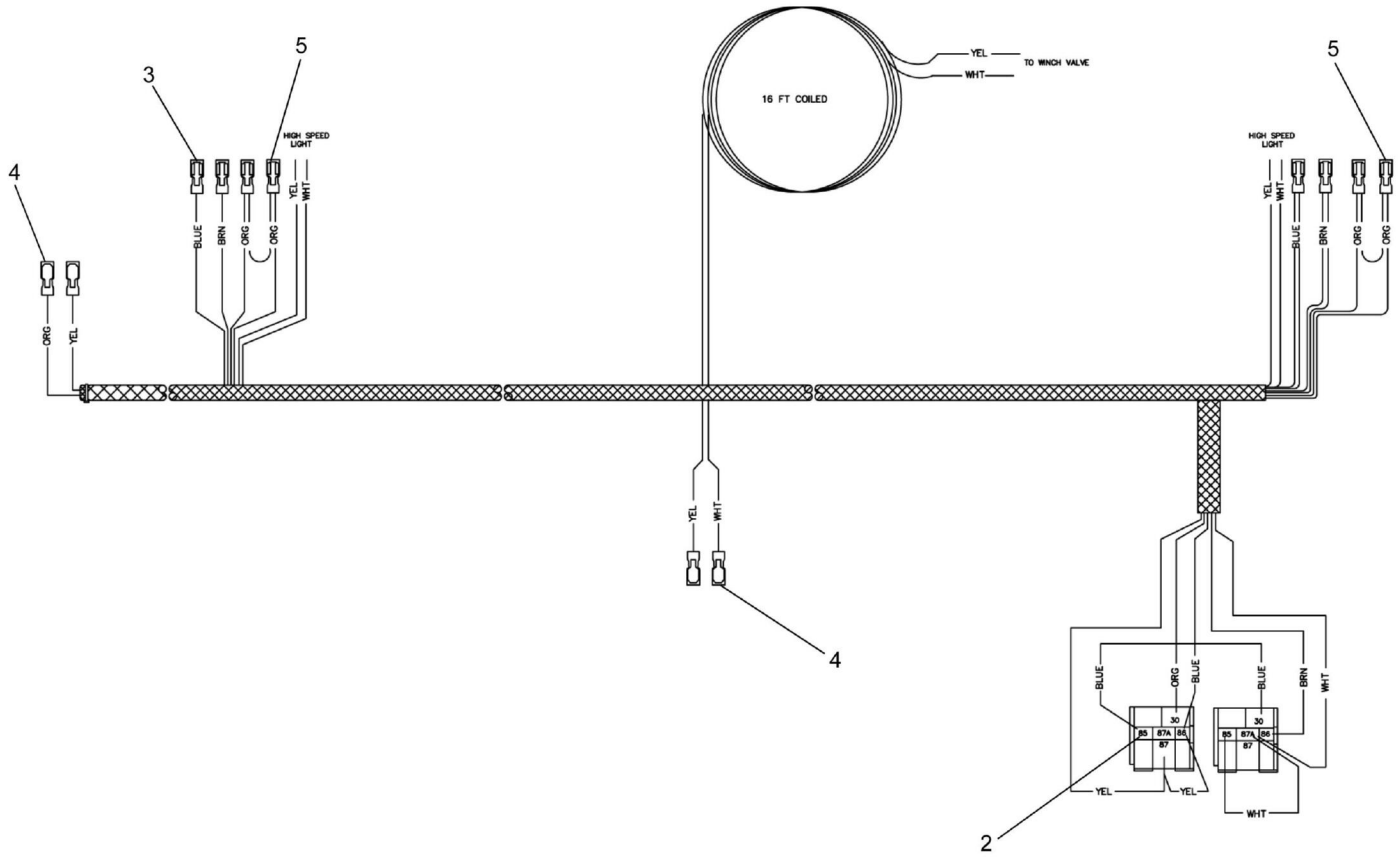
1

REF	PART NO.	DESCRIPTION	QTY
	800-50054-6 (Rev. R)	Control Console ASSY 35-100 Series MS Winch (Gray)	
50	400-15086	Tie Wrap 7 7/16 LG	5
51	209-00444	Grab Handle #2399-D	2
52	SHF-375CA00-25	SCR, HHCS FT 0.375-16 X 1.00, ST SQC G5	4
53	W07-375C000-20	WSH, LCK, MED-SPLT 0.375, ST Z	10
54	N04-375C000-25	Nut, HEX 0.375-16 ST Z GR5	6
55	S01-375CB50-25	SCR, HHCS 0.375-16 X 2.50, ST Z G5	4
56	S01-375CB00-25	SCR, HHCS 0.375-16 X 2.00, ST SQC G5	2
57	S01-500CB00-25	SCR, HHCS 0.50-13 X 2.00, ST Z G5	3
58	W07-500C000-20	WSH, LCK, MED-SPLT 0.50, ST Z	3
59	WBR-50RXA37-20	WSH, FL TYPB-REG 0.50, ST SQC	6
60	N04-500C000-25	Nut, HEX 0.50-13, ST Z GR5	3
61	N05-625C000-25	Nut, HEX JAM 0.625-11, ST SQC G5	16
62	S16-164C750-20	SCR, FSHCS 08-32 X 0.75, ST Z	6
63	NYL-164C000-22	Nut, HEX NYL-INS 08-32, ST Z G2	6
64	263-00044	Gasket, Level Mounting	2
65	209-00831	Level Base, Circular Level	2
66	209-00832	Circular Level Indicator	2
67	519-00008	Block-Off Plate	1
68	263-00041	Gasket - Block - Off Plate	1
69	SL5-190C750-20	SCR, CREC RND MS10-24X.75, ST Z	4
70	NYL-190C000-22	Nut, HEX, NYL-INS 10-24, ST Z GR2	4
71	1245-162	Hour Meter HOBBS 85006-04	1
72	400-24062	SubASSY, O/R Alarm Switches (see page 53)	1
73	S01-500CA25-25	SCR, HHCS 0.50-13 X1.25, ST Z G5	2
74	SHF-312C750-25	SCR, HHCS FT 0.312-18 X 0.75 ST SQC G5	22
75	WBR-31RX875-20	WSH, FL TYPB-REG 0.3125, ST SQC	26
76	W07-312C000-20	WSH, LCK, MED-SPLT 0.3125, ST Z	22
77	N04-312C000-25	Nut, HEX 0.3125-18 ST SQC G5	6
78	400-04122	Toggle Switch, Micro	10
79	400-04036	Cover Switch	8
80	514-65004	Elbow, SN #8 OFS	1
81	519-50010	Cap, #8 OFS	2
82	519-20004	Cap, #4 OFS	2
83	519-90051	Manifold, Return	1
84	T127469	Harness BT Control Console	1
85	12147-1	Channel U ALTA X-1045	0.25FT
86	MK765	Clamp, Rubber	2
87*	1223-1021	Lamp	2
88	1223-1022	Lens (Red) (MS Winch)	2
89	1223-1020	Socket (MS Winch & AUX O/R Sensor)	2
90*	400-02449	Latch Relay MS Winch (see page 79)	1
91	500-01803-2	Valve ASSY Winch For MS (see page 81)	1
92	500-01804-4	Valve ASSY, Main W/MS Winch 35-100 (see page 83)	1
93*	T128052	Console Cover Kit (Gray)	1
94	T128048	Control Console ASSY/Weldment (Gray) (see page 57)	1
95	802-01390-P7	Cover, Console - Front (Gray)	2
96	802-01489-P7	Cover, End Console - C S (Gray)	1
97	802-01490-P7	Cover, End Console - S S (Gray)	1

* ITEM NOT SHOWN IN ILLUSTRATION

WHEN ORDERING PARTS, SPECIFY MODEL NUMBER, SERIAL NUMBER AND DESCRIPTION OF PARTS REQUIRED

	CONTROL CONSOLE ASSEMBLY 35-100 CF/MS WINCH (GRAY)	DATE: Revised 01-2015	CHAPTER 1
		MODEL: 35-100	
		PAGE: 77	



WHEN ORDERING PARTS, SPECIFY MODEL NUMBER, SERIAL NUMBER AND DESCRIPTION OF PARTS REQUIRED



LATCH RELAY 2 SPEED

DATE: Released 01-2015

MODEL: 35-100

PAGE: 78

CHAPTER

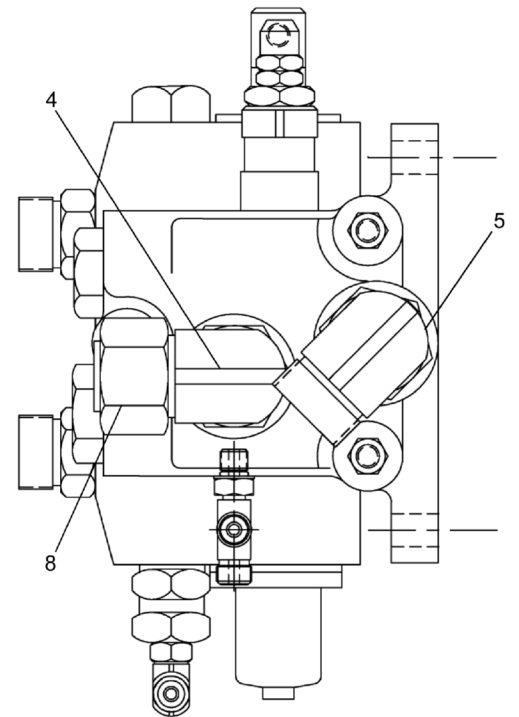
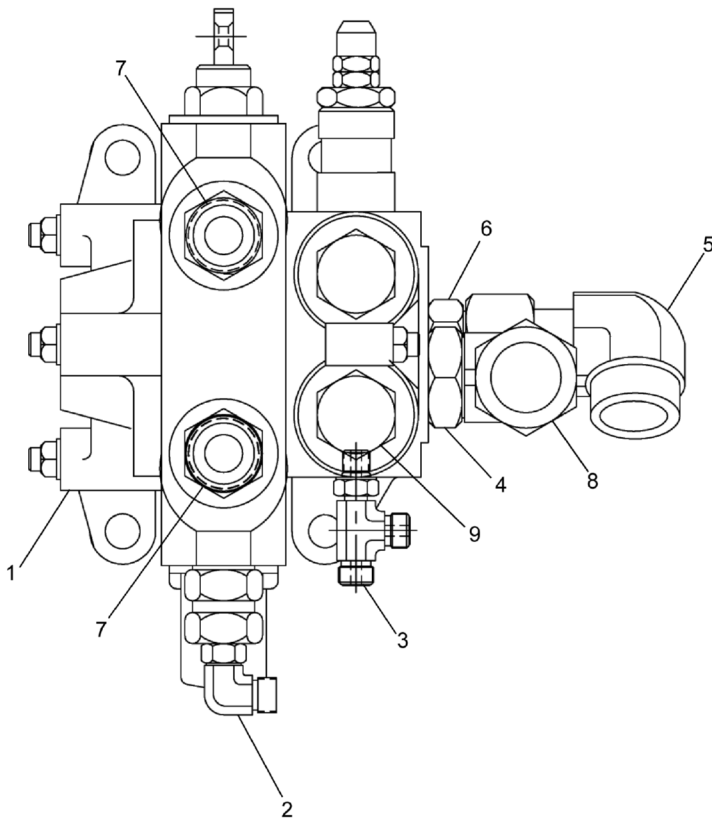
1

<u>REF</u>	<u>PART NO.</u>	<u>DESCRIPTION</u>	<u>QTY</u>
	400-02449 (Rev. A)	<i>Latch Relay MS Winch</i>	
1*	3 334 485 008	Relay Base	2
2	42904-1	Term 1/4 Spade Locking	8
3	19164-0050	Term 1/4 Female 12/14 AWG	2
4	19164-0049	Term 1/4 Male 14/16 AWG	4
5	19164-0305	Term 1/4 Female 12/10 AWG	6
6*	0 332 209 137	Relay SPDT	2
7*	400-01389	Wire 16 AWG SXL Blue	A/R
8*	400-01376	Wire, FLM RET 16GA Red (3-790)	A/R
9*	400-01374	Wire 16 AWG SXL BRN	A/R
10*	Wire 16 AWG SXL ORG	Wire 16 AWG SXL ORG	A/R
11*	400-01377	Wire 16 AWG SXL YEL	A/R

* ITEM NOT SHOWN IN ILLUSTRATION

WHEN ORDERING PARTS, SPECIFY MODEL NUMBER, SERIAL NUMBER AND DESCRIPTION OF PARTS REQUIRED

	<h2>LATCH RELAY 2 SPEED</h2>	DATE: Released 01-2015	CHAPTER 1
		MODEL: 35-100	
		PAGE: 79	



WHEN ORDERING PARTS, SPECIFY MODEL NUMBER, SERIAL NUMBER AND DESCRIPTION OF PARTS REQUIRED



WINCH VALVE ASSEMBLY MOTOR SHIFT

DATE: Revised 01-2015

MODEL: 35-100

PAGE: 80

CHAPTER

1

<u>REF</u>	<u>PART NO.</u>	<u>DESCRIPTION</u>	<u>QTY</u>
	500-01803-2 (Rev. A)	Valve ASSY Winch For MS	
1	550-00314	Valve ASSY, Winch	1
2	514-52003	Elbow 90 S.N. #4 OFS	1
3	516-82006	Tee, 2x M#4 OFS M#4 ORB	1
4	541-59021	90 Elbow M#16 OFS x M#16 ORB	1
5	514-69012	90 Elbow M#16 OFS x M#16 ORB SW	1
6	513-90032	STR CONN M#16 OFS X M#16 ORB	1
7	513-70023	CONN, M#12 OFS x M#12 ORB	2
8	519-90036	Cap, Tube, F#16 OFS	1
9	517-30004	Plug, M#12 ORB	1

WHEN ORDERING PARTS, SPECIFY MODEL NUMBER, SERIAL NUMBER AND DESCRIPTION OF PARTS REQUIRED



WINCH VALVE ASSEMBLY MOTOR SHIFT

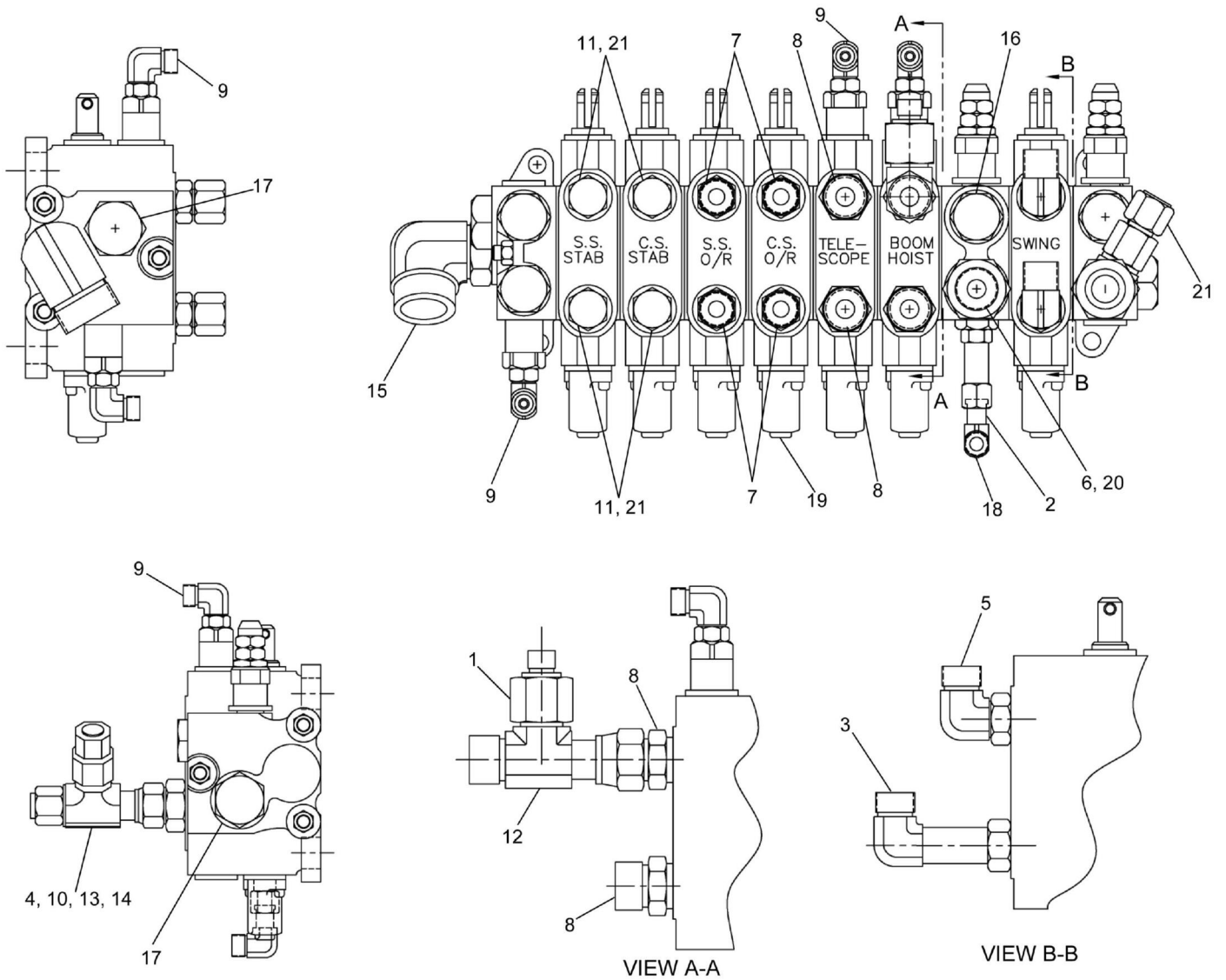
DATE: Revised 01-2015

MODEL: 35-100

PAGE: 81

CHAPTER

1



WHEN ORDERING PARTS, SPECIFY MODEL NUMBER, SERIAL NUMBER AND DESCRIPTION OF PARTS REQUIRED



MAIN VALVE ASSEMBLY MOTOR SHIFT

DATE: Revised 01-2015

MODEL: 35-100

PAGE: 82

CHAPTER

1

<u>REF</u>	<u>PART NO.</u>	<u>DESCRIPTION</u>	<u>QTY</u>
	500-01804-4 (Rev. F)	Valve ASSY, Main W/MS Winch 35-100	
1	375-0002	Reducer, F10 OFS X M4 OFS	1
2	513-30003	Connector, L M#4 OFS X M#4 ORB	1
3	514-55015	90 Elbow, M#8 OFS X M#8 ORB	1
4	519-50012	Reducer, F#8 OFS X M#4 OFS	1
5	514-55011	Elbow, 90, MOFS-8/MORB-8	1
6	513-70038	CONN, L M#10 OFS X #10 ORB	1
7	513-50023	CONN #8 ORB To #8 OFS RS Only	4
8	513-60012	Adapter, MOFS-10/MORB-8	4
9	514-52003	Elbow 90 S.N. #4 OFS	3
10	516-85004	Tee 2 X M#8 OFS X F#8 OFS	1
11	513-40018	Adapter, MOFS-6/MORB-8	4
12	516-86002	Tee, Swivel Nut F100FS X M100FS X M100FS	1
13	513-50027	Adapter, MOFS-8/MORB-10	1
14	519-50010	Cap, #8 OFS	1
15	514-59024	90 Elbow, M#16 OFS X M#12 ORB	1
16	517-30002	Plug, M#10 ORB	1
17	517-30004	Plug, M#12 ORB	1
18	514-62002	Elbow, 90° S.N. #4 OFS	1
19	550-00422	Valve ASSY, Main (7000)	1
20	519-70032	Cap, 5/8" Tube F#10 OFS	1
21	519-40007	Cap. Parker #6	5

WHEN ORDERING PARTS, SPECIFY MODEL NUMBER, SERIAL NUMBER AND DESCRIPTION OF PARTS REQUIRED



**MAIN VALVE ASSEMBLY MOTOR
SHIFT**

DATE: Revised 01-2015

MODEL: 35-100

PAGE: 83

CHAPTER

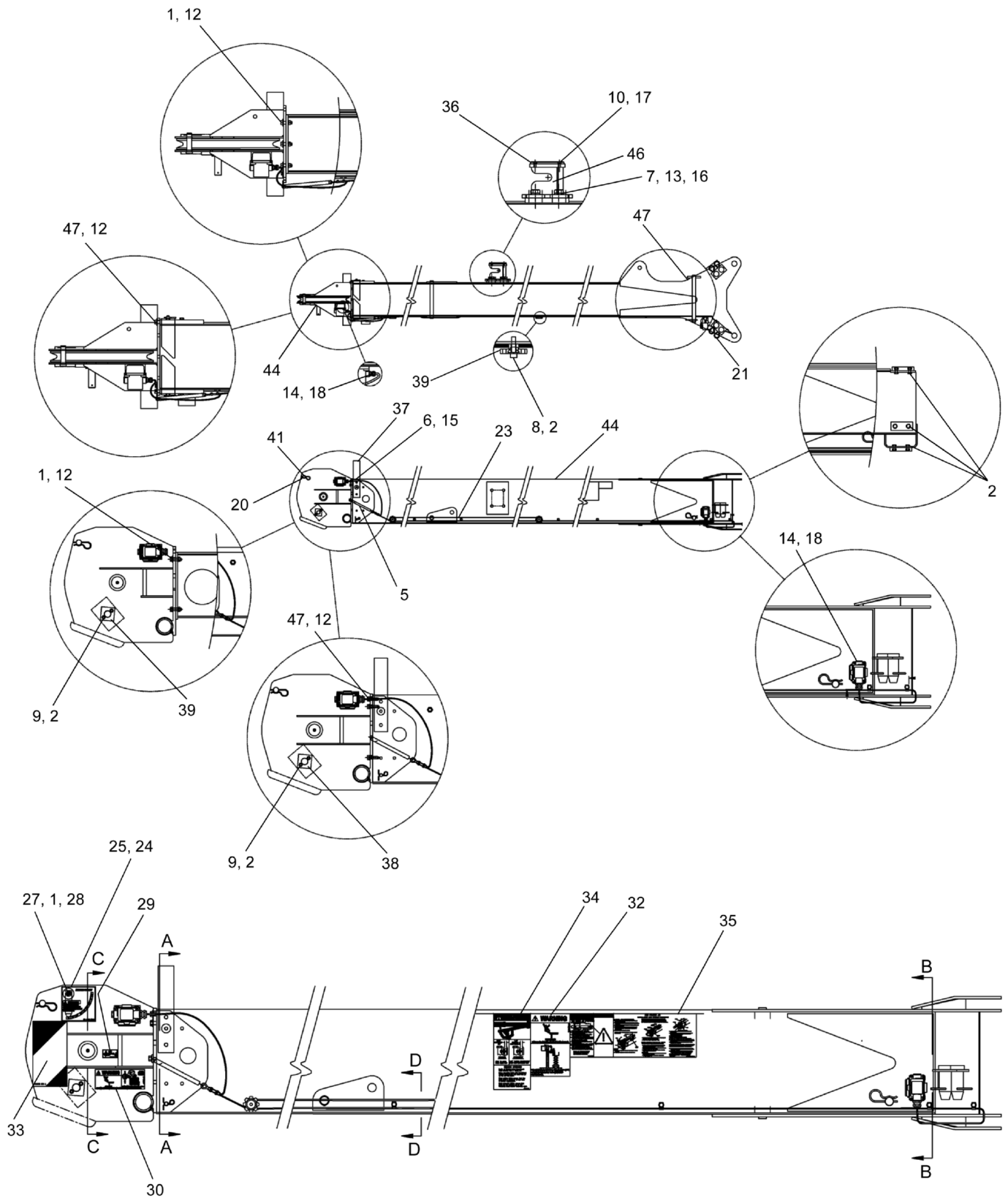
1

<u>REF</u>	<u>PART NO.</u>	<u>DESCRIPTION</u>	<u>QTY</u>
	35-100-JIB OPTIONS* (Rev. 00)	<i>35-100 Jib Options</i>	
1	730-51338-1	Jib Assembly - 31.5' & 31.5'/55' (WHT) (see page 87)	1
2	730-51338-2	Jib Assembly - 31.5' & 31.5'/55' (WHT) (see page 90)	1
3	730-51332-1	Jib Stowage - 7000 Series W/ Black Logo (White) (see page 93)	1
4	730-51332-2	Jib Stowage - 7000 Series W/ White Logo (White) (see page 95)	1
5	730-51332-3	Jib Stowage - 7000 Series W/O Logo (White) (see page 97)	1

* NOT PURCHASABLE AT THIS LEVEL

WHEN ORDERING PARTS, SPECIFY MODEL NUMBER, SERIAL NUMBER AND DESCRIPTION OF PARTS REQUIRED

	<h2>JIB OPTIONS</h2>	DATE: Revised 01-2015	CHAPTER 1
		MODEL: 35-100	
		PAGE: 84	



WHEN ORDERING PARTS, SPECIFY MODEL NUMBER, SERIAL NUMBER AND DESCRIPTION OF PARTS REQUIRED



JIB ASSEMBLY (WHITE)

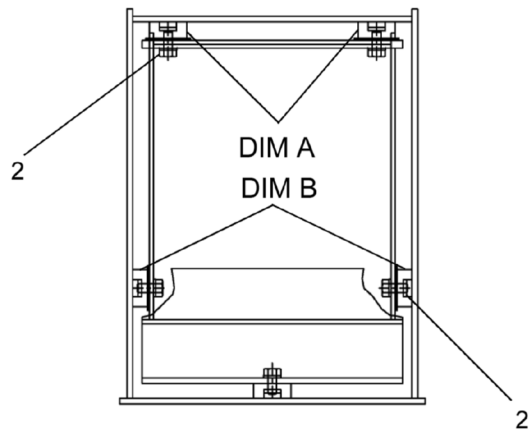
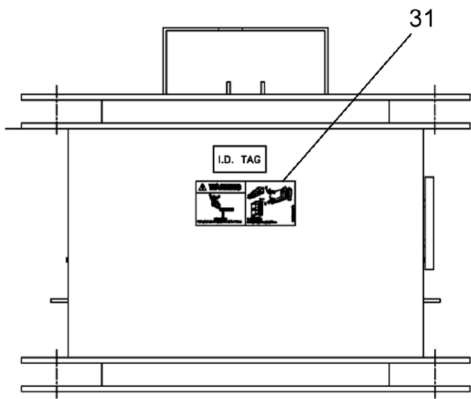
DATE: Revised 05-2018

MODEL: 35-100

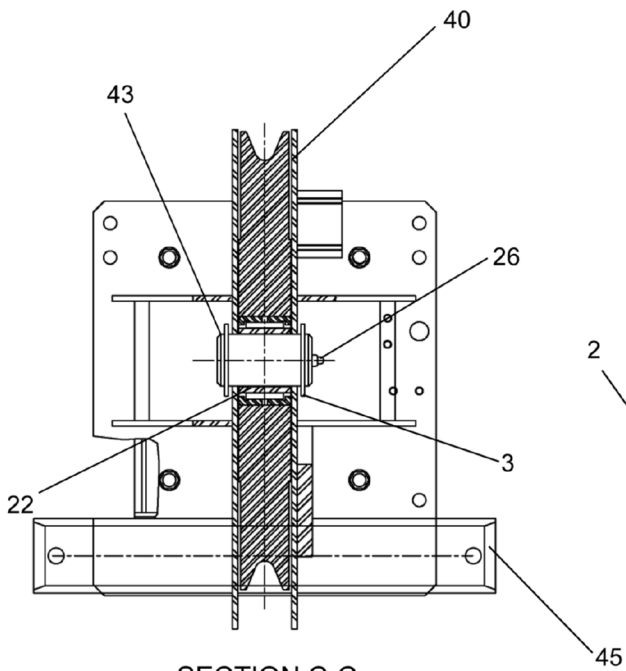
PAGE: 85

CHAPTER

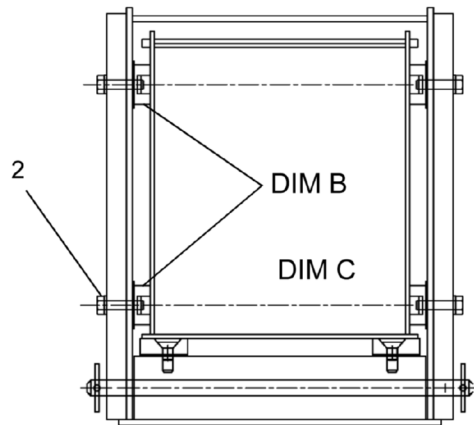
1



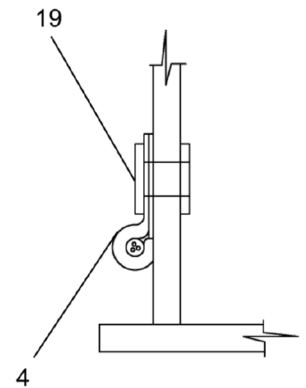
SECTION B-B



SECTION C-C



SECTION A-A



SECTION D-D

WHEN ORDERING PARTS, SPECIFY MODEL NUMBER, SERIAL NUMBER AND DESCRIPTION OF PARTS REQUIRED



JIB ASSEMBLY (WHITE)

DATE: Revised 05-2018

MODEL: 35-100

PAGE: 86

CHAPTER

1

REF	PART NO.	DESCRIPTION	QTY
	730-51338-1 (Rev. K)	<i>Jib Assembly - 31.5' & 31.5'/55' (WHT)</i>	
1	NYL-375C000-25	Nut, HEX NYL-INS 0.375-16, ST SQC G5	2
2	W07-312X000-20	WSH, LCK, MED SPLT 0.3125, ST SQC	8
3	REX-A75X062-BP	Ring, Extsnp 1.75 X 0.062, ST BPH	2
4	201-00171	Clamp, 0.13 DIA Tube (A3S)	10
5	202-10066	Spring, Cable Tension (A3S)	1
6	SHF-375C875-Y8	SCR, HHCS FT 0.375-16 X 0.88, ST SQC G8	4
7	SHF-625CA25-25	SCR, HHCS FT 0.625-11 X 1.25, ST SQC G5	4
8	S14-312CA25-H2	SCR, SHCS 0.3125-18 X 1.25, ST SQC	2
9	S14-312C625-H2	SCR, SHCS 0.3125-18 X 0.625, ST SQC	2
10	N04-312C000-25	Nut, HEX 0.3125-18 ST SQC G5	4
11*	WBR-31RX875-20	WSH, FL TYPB-REG 0.3125, ST SQC	4
12	WAH-37NX000-20	WSH, FL HRD A-NRW 0.375, ST SQC	8
13	WAH-62NX000-20	WSH, FL HRD A-NRW 0.625 ST SQC	4
14	W07-190X000-20	WSH, LCK, MED SPLT 10 ST Z	8
15	W07-375X000-20	WSH, LCK, MED SPLT 0.375, ST Z	4
16	W07-625X000-20	WSH, LCK, MED SPLT 0.625, ST SQC	4
17	S16-312CA50-25	SCR, FSHCS 0.312-18 X 1.50, ST SQC G5	4
18	S18-190C375-H2	SCR, BSHCS, 10-24 X 0.375, ST SQC	8
19	VBB-187X450-L5	RVT, BTNHD, Blind 0.187 X 0.45 AL	10
20	PHP-120XA91-20	Pin, CTRHAIR 0.120 X 1.91 X 0.41, ST SQC	1
21	PHP-178XC75-20	Pin, CTRHAIR 0.178 X 3.75 X 1.03, ST SQC	4
22	274-30004	RLR-BRG-IN Race MI-28	1
23	400-03067	Harness ATB/LMI Jib 7000 Series	1
24	651-00366	Decal - Angle Chart L.H.	1
25	651-00367	Decal - Angle Chart R.H.	1
26	501-03001	Fitting, Lube Straight 1/4 -28 UNF	1
27	729-02579	Angle Pointer	2
28	WAR-375X000-22	WSH, FL, TYPB-REG 0.375, ST SQC G2	2
29	T127341	Decal, LANYARD Hook	2
30	T118214	Decal, LANYARD Hook Location	2
31	T118213	Decal, Jib Removal W/Lift Attach	1
32	651-00416	Decal, Safe Elevated Access	2
33	T105672	Decal, Boom Head Strip	2
34	651-00371	Decal, Crush Hazard	2
35	1006870	Decal, Folding Jib	2
36	729-02611	Wear Pad, Jib Stow BRKT	1
37	770-02521	Bracket, Cable Guide	1
38	774-00054	ATB Switch Adapter Bracket	1
39	808-00047	Knob, Hand	2
40	860-70013	Sheave ASS'Y 15 3/8OD-9/16GR	1
41	P01-750XB75-P0	Clevis Pin 3/4 DIA X 2.75 STL	1
42*	870-40186	Pin, 1.53-Jib Installation	4
43	870-50058	Pin-Sheave	1
44	730-51315	Weld-Base (White) 35-100	1
45	770-02517	Tip Weld Jib (White) 35-100	1
46	770-02522	Bracket, Jib Stow (White) 35-100	1
47	SHF-375CA13-Y8	SCR, HHCS FT 0.375-16 X 1.13, ST SQC G8	6

* ITEM NOT SHOWN IN ILLUSTRATION

WHEN ORDERING PARTS, SPECIFY MODEL NUMBER, SERIAL NUMBER AND DESCRIPTION OF PARTS REQUIRED



JIB ASSEMBLY (WHITE)

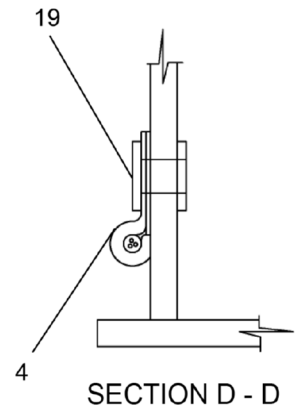
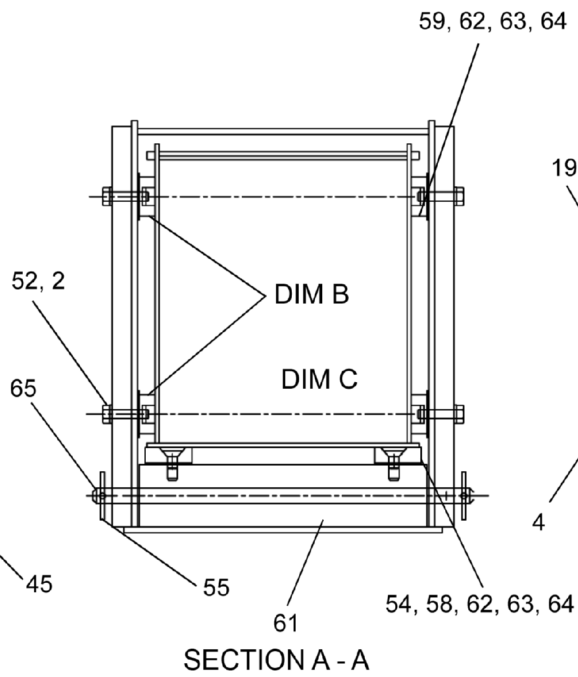
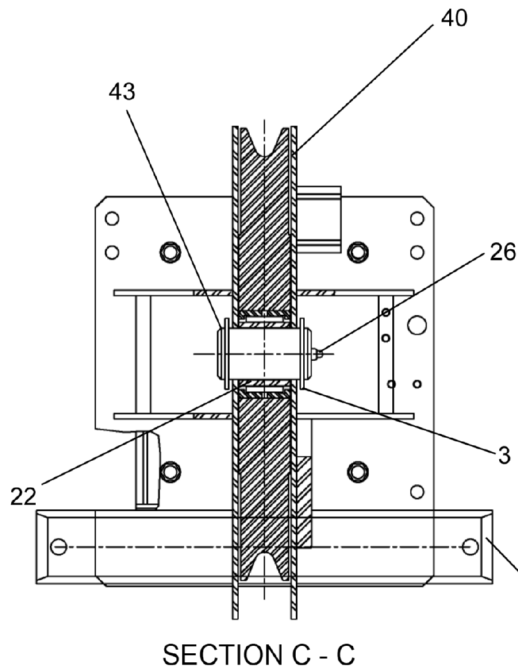
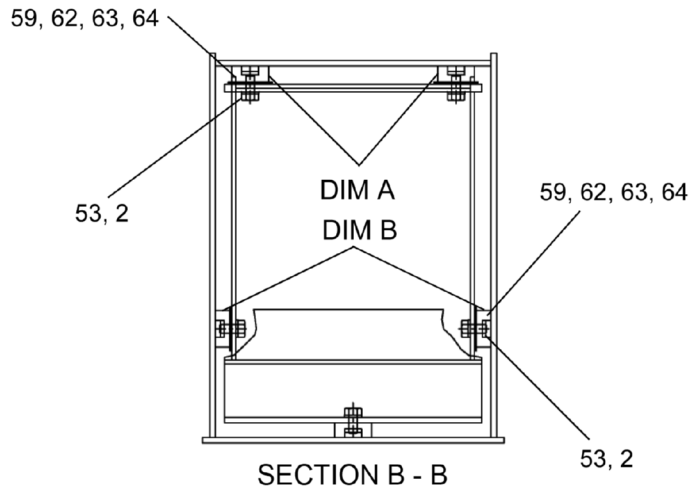
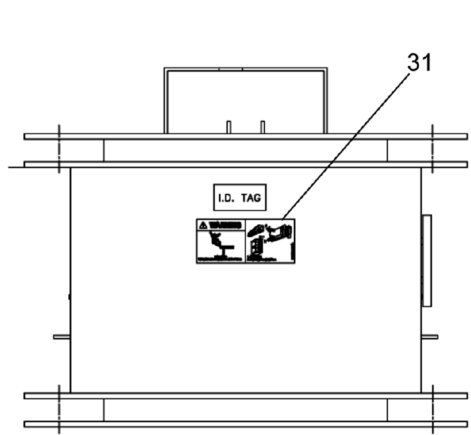
DATE: Revised 05-2018

MODEL: 35-100

PAGE: 87

CHAPTER

1



WHEN ORDERING PARTS, SPECIFY MODEL NUMBER, SERIAL NUMBER AND DESCRIPTION OF PARTS REQUIRED



JIB ASSEMBLY (WHITE)

DATE: Revised 05-2018

MODEL: 35-100

PAGE: 89

CHAPTER

1

REF	PART NO.	DESCRIPTION	QTY
	730-51338-2 (Rev. K)	<i>Jib Assembly - 31.5' & 31.5'/55' (WHT)</i>	
1	NYL-375C000-25	Nut, HEX NYL-INS 0.375-16, ST SQC G5	8
2	W07-312X000-20	WSH, LCK, MED SPLT 0.3125, ST SQC	22
3	REX-A75X062-BP	Ring, Extsnp 1.75 X 0.062, ST BPH	2
4	201-00171	Clamp, 0.13 DIA Tube (A3S)	10
5	202-10066	Spring, Cable Tension (A3S)	1
6	SHF-375C875-Y8	SCR, HHCS FT 0.375-16 X 0.88, ST SQC G8	4
7	SHF-625CA25-25	SCR, HHCS FT 0.625-11 X 1.25, ST SQC G5	4
8	S14-312CA25-H2	SCR, SHCS 0.3125-18 X 1.25, ST SQC	2
9	S14-312C625H2	SCR, SHCS 0.3125-18 X 0.625, ST SQC	2
10	N04-312C000-25	Nut, HEX 0.3125-18 ST SQC G5	4
11*	WBR-31RX875-20	WSH, FL TYPB-REG 0.3125, ST SQC	4
12	WAH-37NX000-20	WSH, FL HRD A-NRW 0.375, ST SQC	8
13	WAH-62NX000-20	WSH, FL HRD A-NRW 0.625 ST SQC	4
14	W07-190X000-20	WSH, LCK, MED SPLT 10 ST Z	8
15	W07-375X000-20	WSH, LCK, MED SPLT 0.375, ST Z	4
16	W07-625X000-20	WSH, LCK, MED SPLT 0.625, ST SQC	4
17	S16-312CA50-25	SCR, FSHCS 0.312-18 X 1.50, ST SQC G5	4
18	S18-190C375-H2	SCR, BSHCS, 10-24 X 0.375, ST SQC	8
19	VBB-187X450-L5	RVT, BTNHD, Blind 0.187 X 0.45 AL	10
20	PHP-120XA91-20	Pin, CTRHAIR 0.120 X 1.91 X 0.41, ST SQC	1
21	PHP-178XC75-20	Pin, CTRHAIR 0.178 X 3.75 X 1.03, ST SQC	5
22	274-30004	RLR-BRG-IN Race MI-28	1
23	400-03067	Harness ATB/LMI Jib 7000 Series	1
24	651-00366	Decal - Angle Chart L.H.	1
25	651-00367	Decal - Angle Chart R.H.	1
26	501-03001	Fitting, Lube Straight 1/4 -28 UNF	1
27	729-02579	Angle Pointer	2
28	WAR-375X000-22	WSH, FL, TYPB-REG 0.375, ST SQC G2	2
29	T127341	Decal, LANYARD Hook	2
30	T118214	Decal, LANYARD Hook Location	2
31	T118213	Decal, Jib Removal W/Lift Attach	1
32	651-00416	Decal, Safe Elevated Access	2
33	T105672	Decal, Boom Head Strip	2
34	651-00371	Decal, Crush Hazard	2
35	1006870	Decal, Folding Jib	2
36	729-02611	Wear Pad, Jib Stow BRKT	1
37	770-02521	Bracket, Cable Guide	2
38	774-00054	ATB Switch Adapter Bracket	1
39	808-00047	Knob, Hand	2
40	860-70013	Sheave ASS'Y 15 3/8OD-9/16GR	1
41	P01-750XB75-P0	Clevis Pin 3/4 DIA X 2.75 STL	1
42	870-40186	Pin, 1.53-Jib Installation	4
43	870-50058	Pin-Sheave	1
44	730-51315	Weld-Base (White) 35-100	1
45	770-02517	Tip Weld Jib (White) 35-100	1
46	770-02522	Bracket, Jib Stow (White) 35-100	1
47	SHF-375CA50-25	SCR, HHCS FT 0.375-16 X 1.50, ST SQC G5	6
48	652-00132	Decal, 2nd Stage Operation	2
49	870-20264	Pin, 1" DIA X 14.13 Zinc	1

* ITEM NOT SHOWN IN ILLUSTRATION

WHEN ORDERING PARTS, SPECIFY MODEL NUMBER, SERIAL NUMBER AND DESCRIPTION OF PARTS REQUIRED



JIB ASSEMBLY (WHITE)

DATE: Revised 05-2018

MODEL: 35-100

PAGE: 90

CHAPTER

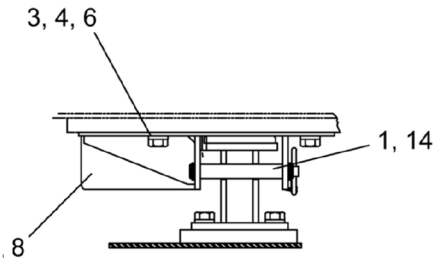
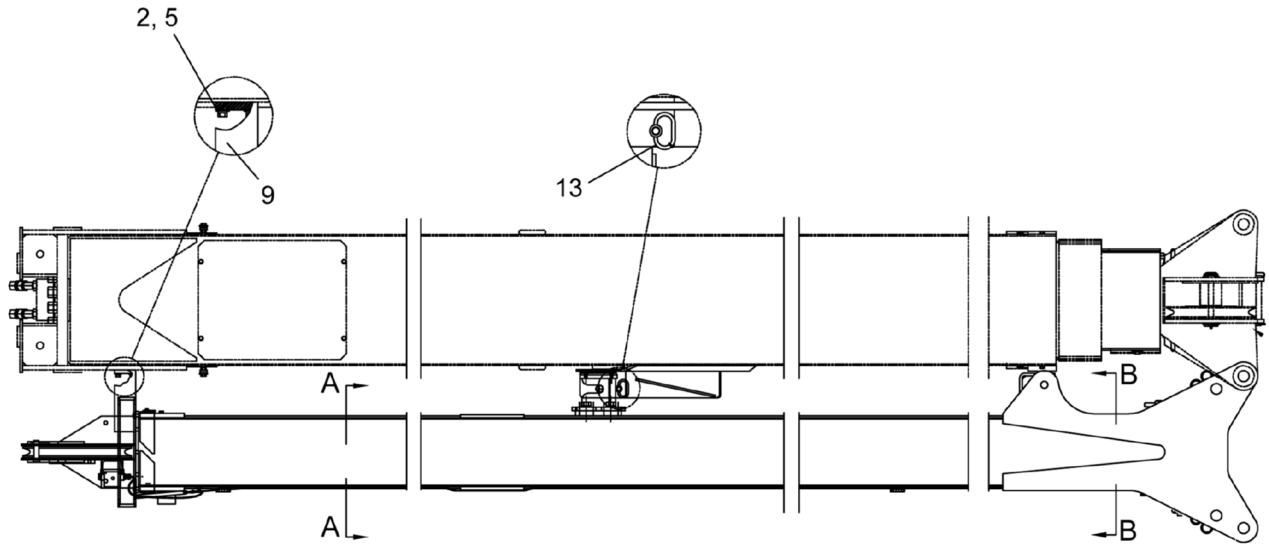
1

<u>REF</u>	<u>PART NO.</u>	<u>DESCRIPTION</u>	<u>QTY</u>
	730-51338-2 (Rev. K)	<i>Jib Assembly - 31.5' & 31.5'/55' (WHT)</i>	
50	870-20263	Pin 1" DIA X 11.13 Zinc	1
51	200-10002	Snap Ring-TRUARC # 5100-100	2
52	SHF-312CA25-25	SCR, HHCS FT 0.312-18 X 1.25, ST SQC G5	8
53	SHF-312C625-25	SCR, HHCS FT 0.312-18 X 0.625, ST SQC G5	10
54	S16-312C625-20	SCR, FSHCS 0.312-18 X 0.625, ST SQC	4
55	P02-188XA50-20	Pin, Cotter, 0.1875 X 1.50, ST SQC	2
56	P22-250XB25-G2	Pin Spring SLTD 0.25 X 2.25, ST SQC	1
57	P22-250XD00-G2	Pin Spring SLTD 0.25 X 4.00, ST SQC	1
58	729-02170	Wear Pad-1/2 THK. (2-761)	2
59	729-02341	Wear Pad 1.50 X 3.50 PLYS	9
60	730-51313	Jib 2nd Stage Weldment (White)	1
61	783-03585	Support Bar - Jib (White)	1
62	787-00241	Shim 3.50 X 1.50 X .040	10
63	787-00242	Shim 3.50 X 1.50 X .063	10
64	787-00243	Shim 3.50 X 1.50 X .10	2
65	870-00159	Pin 1/2 DIA X 12 1/4"	1

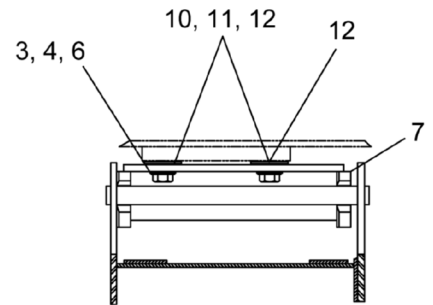
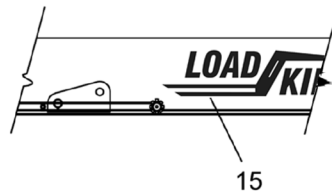
* ITEM NOT SHOWN IN ILLUSTRATION

WHEN ORDERING PARTS, SPECIFY MODEL NUMBER, SERIAL NUMBER AND DESCRIPTION OF PARTS REQUIRED

	JIB ASSEMBLY (WHITE)	DATE: Revised 05-2018	CHAPTER 1
		MODEL: 35-100	
		PAGE: 91	



SECTION A - A



SECTION B - B

WHEN ORDERING PARTS, SPECIFY MODEL NUMBER, SERIAL NUMBER AND DESCRIPTION OF PARTS REQUIRED



JIB STOWAGE (WHITE)

DATE: Revised 04-2018

MODEL: 35-100

PAGE: 92

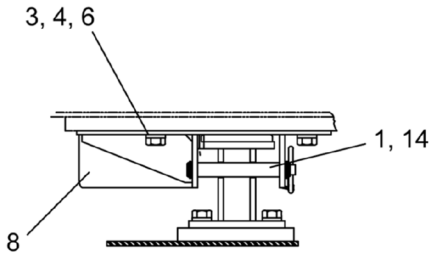
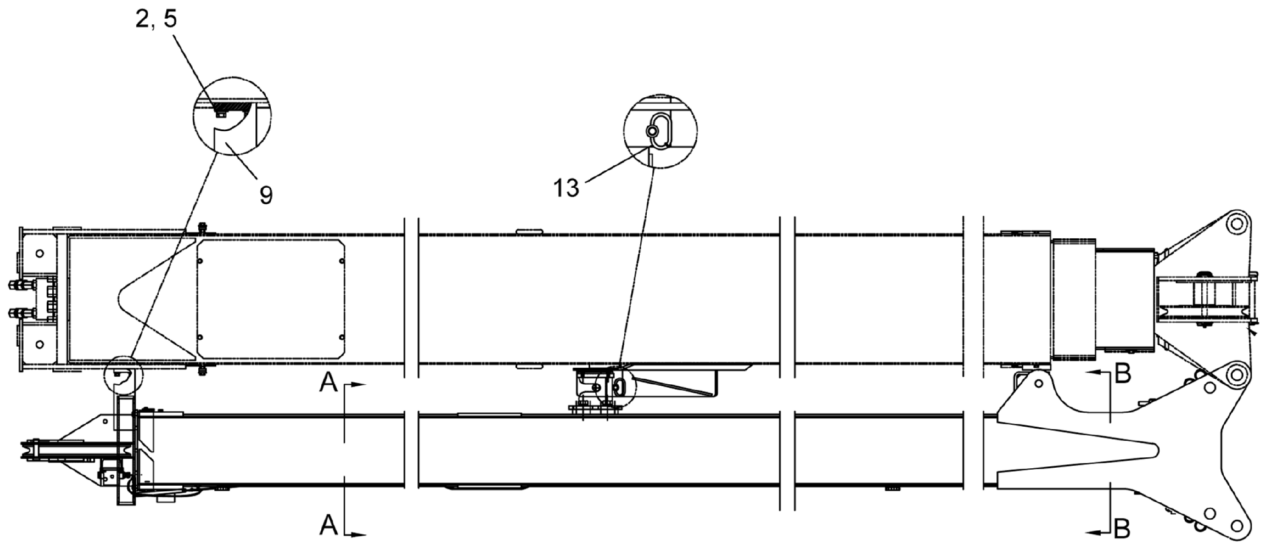
CHAPTER

1

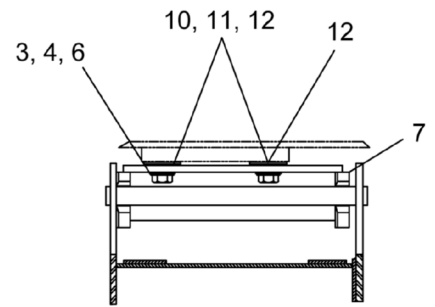
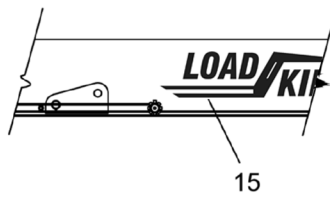
<u>REF</u>	<u>PART NO.</u>	<u>DESCRIPTION</u>	<u>QTY</u>
	730-51332-1 (Rev. G)	<i>Jib Stowage - 7000 Series W/ Black Logo (White)</i>	
1	200-10011	Snap Ring	2
2	SHF-375CA00-25	SCR, HHCS FT 0.375-16 X 1.00, ST SQC G5	4
3	SHF-625CA50-25	SCR, HHCS FT 0.625-11 X 1.50, ST SQC G5	8
4	WAW-62WX000-20	WSH, FL TYPA-WID 0.625, ST SQC	8
5	W07-375X000-20	WSH, LCK, MED SPLT 0.375, ST Z	4
6	W07-625X000-20	WSH, LCK, MED SPLT 0.625, ST SQC	8
7	770-01736	BRKT Weld, Jib Stow (White)	1
8	770-02322	BRKT Weld, Stow Ramp (White)	1
9	770-02523	BRKT Weld, Jib Stop (White)	1
10	787-00226	Shim .040 X 2-3/8 X 4	2
11	787-00227	Shim .063 X 2-3/8 X 4	2
12	787-00228	Shim .100 X 2-3/8 X 4	5
13	870-00152	Hitch Pin ASSY	1
14	870-20256	Pin, 1" DIA Jib Stow	1
15	1007066	Logo (BLK) With 5.4" Crown	2

WHEN ORDERING PARTS, SPECIFY MODEL NUMBER, SERIAL NUMBER AND DESCRIPTION OF PARTS REQUIRED

	<h2>JIB STOWAGE (WHITE)</h2>	DATE: Revised 04-2018	CHAPTER 1
		MODEL: 35-100	
		PAGE: 93	



SECTION A - A



SECTION B - B

WHEN ORDERING PARTS, SPECIFY MODEL NUMBER, SERIAL NUMBER AND DESCRIPTION OF PARTS REQUIRED



JIB STOWAGE (WHITE)

DATE: Revised 04-2018

MODEL: 35-100

PAGE: 94

CHAPTER

1

<u>REF</u>	<u>PART NO.</u>	<u>DESCRIPTION</u>	<u>QTY</u>
	730-51332-2 (Rev. G)	<i>Jib Stowage - 7000 Series W/ White Logo (White)</i>	
1	200-10011	Snap Ring	2
2	SHF-375CA00-25	SCR, HHCS FT 0.375-16 X 1.00, ST SQC G5	4
3	SHF-625CA50-25	SCR, HHCS FT 0.625-11 X 1.50, ST SQC G5	8
4	WAW-62WX000-20	WSH, FL TYPA-WID 0.625, ST SQC	8
5	W07-375X000-20	WSH, LCK, MED SPLT 0.375, ST Z	4
6	W07-625X000-20	WSH, LCK, MED SPLT 0.625, ST SQC	8
7	770-01736	BRKT Weld, Jib Stow (White)	1
8	770-02322	BRKT Weld, Stow Ramp (White)	1
9	770-02523	BRKT Weld, Jib Stop (White)	1
10	787-00226	Shim .040 X 2-3/8 X 4	2
11	787-00227	Shim .063 X 2-3/8 X 4	2
12	787-00228	Shim .100 X 2-3/8 X 4	5
13	870-00152	Hitch Pin ASSY	1
14	870-20256	Pin, 1" DIA Jib Stow	1
15	1007066	Logo (WHT) With 5.4" Crown	2

WHEN ORDERING PARTS, SPECIFY MODEL NUMBER, SERIAL NUMBER AND DESCRIPTION OF PARTS REQUIRED



JIB STOWAGE (WHITE)

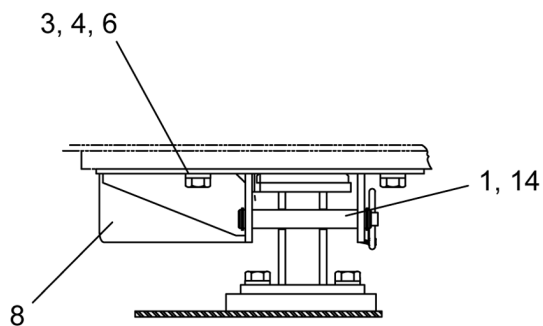
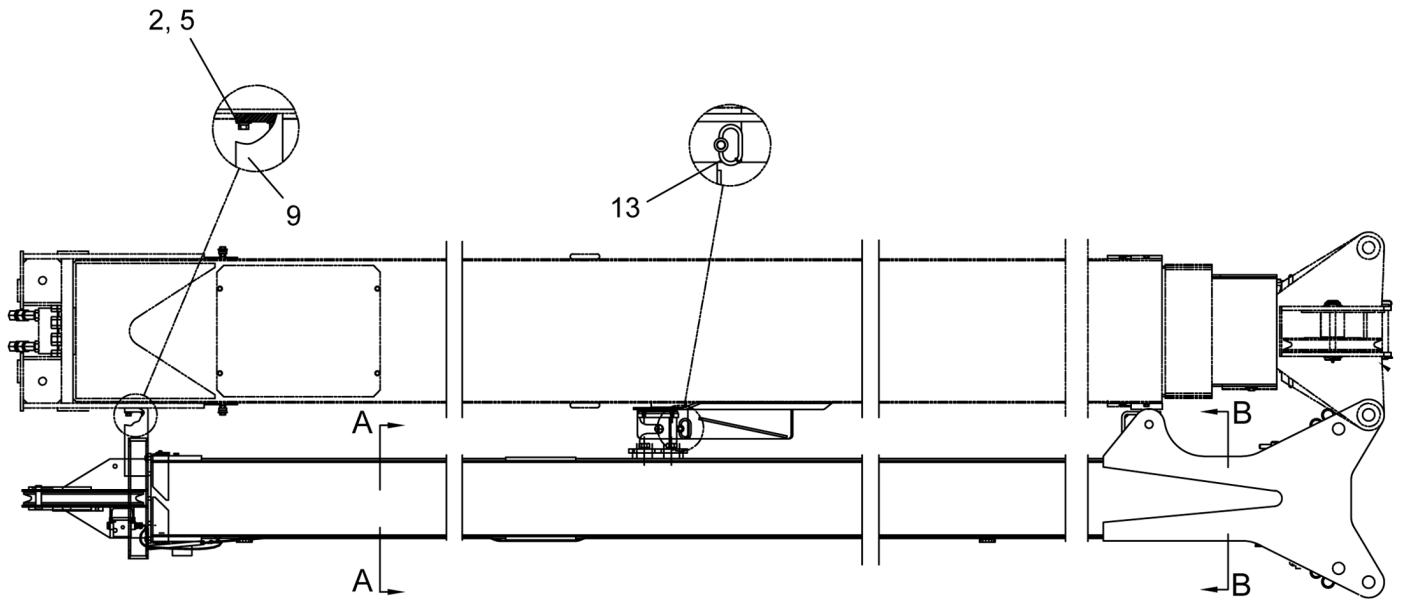
DATE: Revised 04-2018

MODEL: 35-100

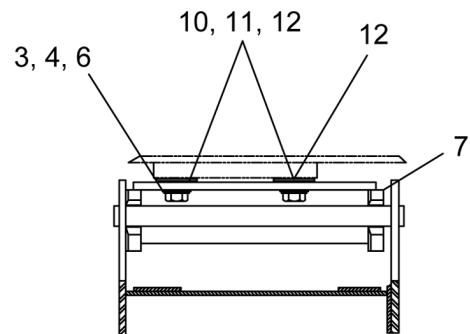
PAGE: 95

CHAPTER

1



SECTION A - A



SECTION B - B

WHEN ORDERING PARTS, SPECIFY MODEL NUMBER, SERIAL NUMBER AND DESCRIPTION OF PARTS REQUIRED



JIB STOWAGE (WHITE)

DATE: Revised 05-2018

MODEL: 35-100

PAGE: 96

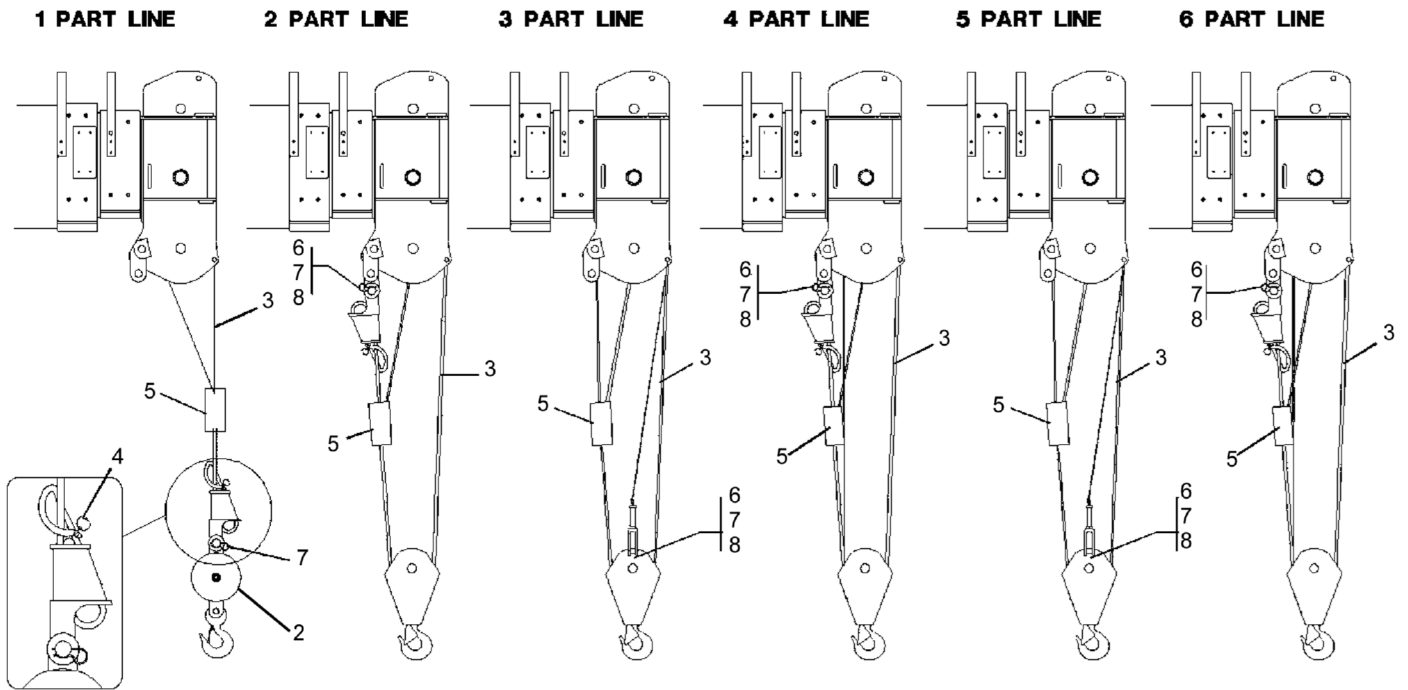
CHAPTER

1

<u>REF</u>	<u>PART NO.</u>	<u>DESCRIPTION</u>	<u>QTY</u>
	730-51332-3 (Rev. G)	<i>Jib Stowage - 7000 Series W/O Logo (White)</i>	
1	200-10011	Snap Ring	2
2	SHF-375CA00-25	SCR, HHCS FT 0.375-16 X 1.00, ST SQC G5	4
3	SHF-625CA50-25	SCR, HHCS FT 0.625-11 X 1.50, ST SQC G5	8
4	WAW-62WX000-20	WSH, FL TYPA-WID 0.625, ST SQC	8
5	W07-375X000-20	WSH, LCK, MED SPLT 0.375, ST Z	4
6	W07-625X000-20	WSH, LCK, MED SPLT 0.625, ST SQC	8
7	770-01736	BRKT Weld, Jib Stow (White)	1
8	770-02322	BRKT Weld, Stow Ramp (White)	1
9	770-02523	BRKT Weld, Jib Stop (White)	1
10	787-00226	Shim .040 X 2-3/8 X 4	2
11	787-00227	Shim .063 X 2-3/8 X 4	2
12	787-00228	Shim .100 X 2-3/8 X 4	5
13	870-00152	Hitch Pin ASSY	1
14	870-20256	Pin, 1" DIA Jib Stow	1

WHEN ORDERING PARTS, SPECIFY MODEL NUMBER, SERIAL NUMBER AND DESCRIPTION OF PARTS REQUIRED

	<h2>JIB STOWAGE (WHITE)</h2>	DATE: Revised 05-2018	CHAPTER 1
		MODEL: 35-100	
		PAGE: 97	



WHEN ORDERING PARTS, SPECIFY MODEL NUMBER, SERIAL NUMBER AND DESCRIPTION OF PARTS REQUIRED



HOOK BLOCK, LOAD BALL & WIRE ROPE OPTIONS

DATE: Revised 10-2016

MODEL: 35-100

PAGE: 98

CHAPTER

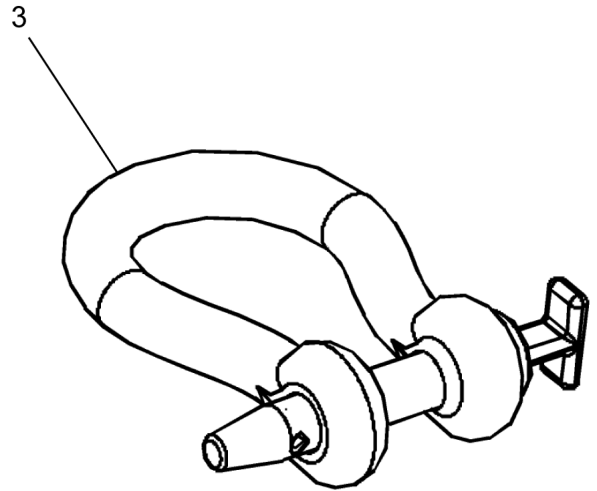
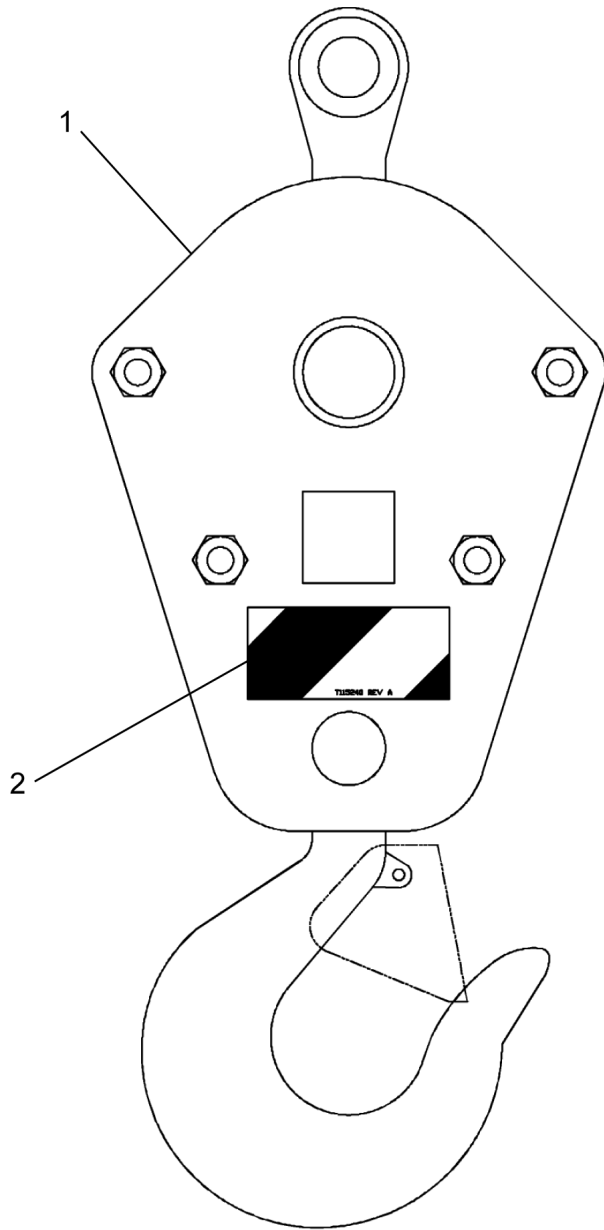
1

<u>REF</u>	<u>PART NO.</u>	<u>DESCRIPTION</u>	<u>QTY</u>
	35-100-HK/LD BALLS & ROPE* (Rev. 00)	<i>Hook Block, Load Ball & Wire Rope Options</i>	
1**	T115230	Load Block ASSY 20T, 2 or 3 Part 1 Sheave (see page 100)	1
1A	T115231	Load Block ASSY 30T, 4 or 5 Part 2 Sheave (see page 103)	1
1B	T115245	Hook Block ASSY, Q Reeve 40T, 4 Sheave 5/8" (see page 106)	1
2	861-60087	Ball & Hook, Swivel, 7 Ton (see page 110)	1
2A	861-60089	Ball & Hook, Non-Swivel 7 Ton (see page 112)	1
3	861-17041	Wire rope, Spin Resistant, 5/8" x 350'	1
3A	861-17047	Wire Rope, IWRC, 5/8 x 350'	1
4	861-90059	Clamp	1
5	Weight & Chain	Weight & Chain Anti-2Block	1
6	870-30200	Pin, AUX. Sheave 1-1/4 DIA	1
7	224-04002	Hairpin	1
8	224-04001	Pin, Cotter	1
9**	861-90366	Wedge & Socket INSTL (see page 113)	1
10**	735-00004	Auxiliary Sheave Assembly (see page 116)	1

* NOT PURCHASABLE AT THIS LEVEL
** ITEM NOT SHOWN IN ILLUSTRATION

WHEN ORDERING PARTS, SPECIFY MODEL NUMBER, SERIAL NUMBER AND DESCRIPTION OF PARTS REQUIRED

	HOOK BLOCK, LOAD BALL & WIRE ROPE OPTIONS	DATE: Revised 10-2016	CHAPTER 1
		MODEL: 35-100	
		PAGE: 99	



<u>REF</u>	<u>PART NO.</u>	<u>DESCRIPTION</u>	<u>QTY</u>
	T115230 (Rev. C)	Load Block ASSY 20T, 2 or 3 Part 1 Sheave	
1	861-60092	Load Block, 20T 2 or 3 Part 1 Sheave (see page 102)	1
2	1007053	Decal - Safety Stripe 2.5 X 5.5 (Block)	2
3	T147170	Clevis Assembly 7/8 X 4-1/4	1

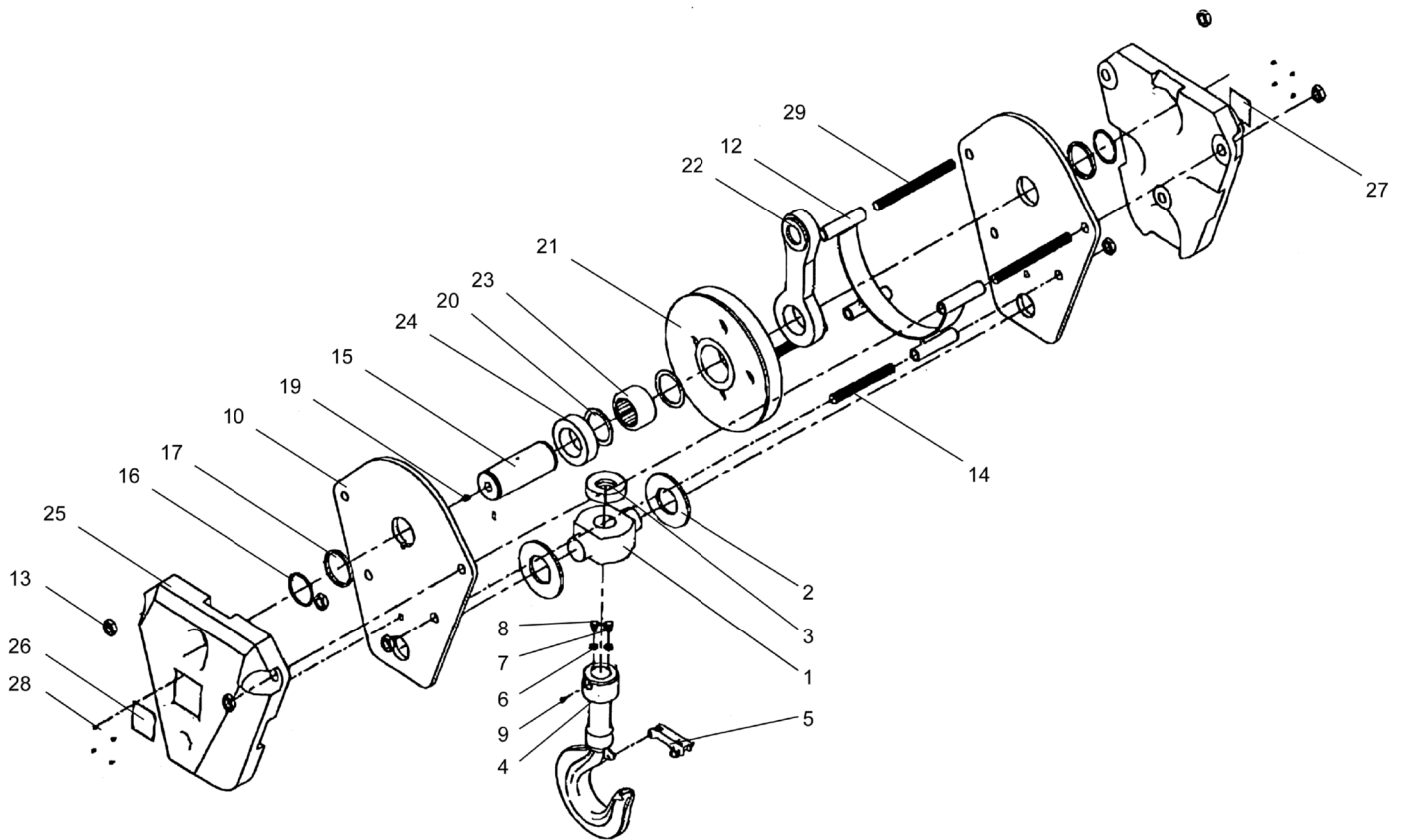
WHEN ORDERING PARTS, SPECIFY MODEL NUMBER, SERIAL NUMBER AND DESCRIPTION OF PARTS REQUIRED



HOOK BLOCK ASSEMBLY 1 SHEAVE / 20 TON

DATE: Released 10-2016
MODEL: 35-100
PAGE: 100

CHAPTER
1



WHEN ORDERING PARTS, SPECIFY MODEL NUMBER, SERIAL NUMBER AND DESCRIPTION OF PARTS REQUIRED



LOAD BLOCK 1 SHEAVE / 20 TON

DATE: Revised 04-2007

MODEL: 35-100

PAGE: 101

CHAPTER

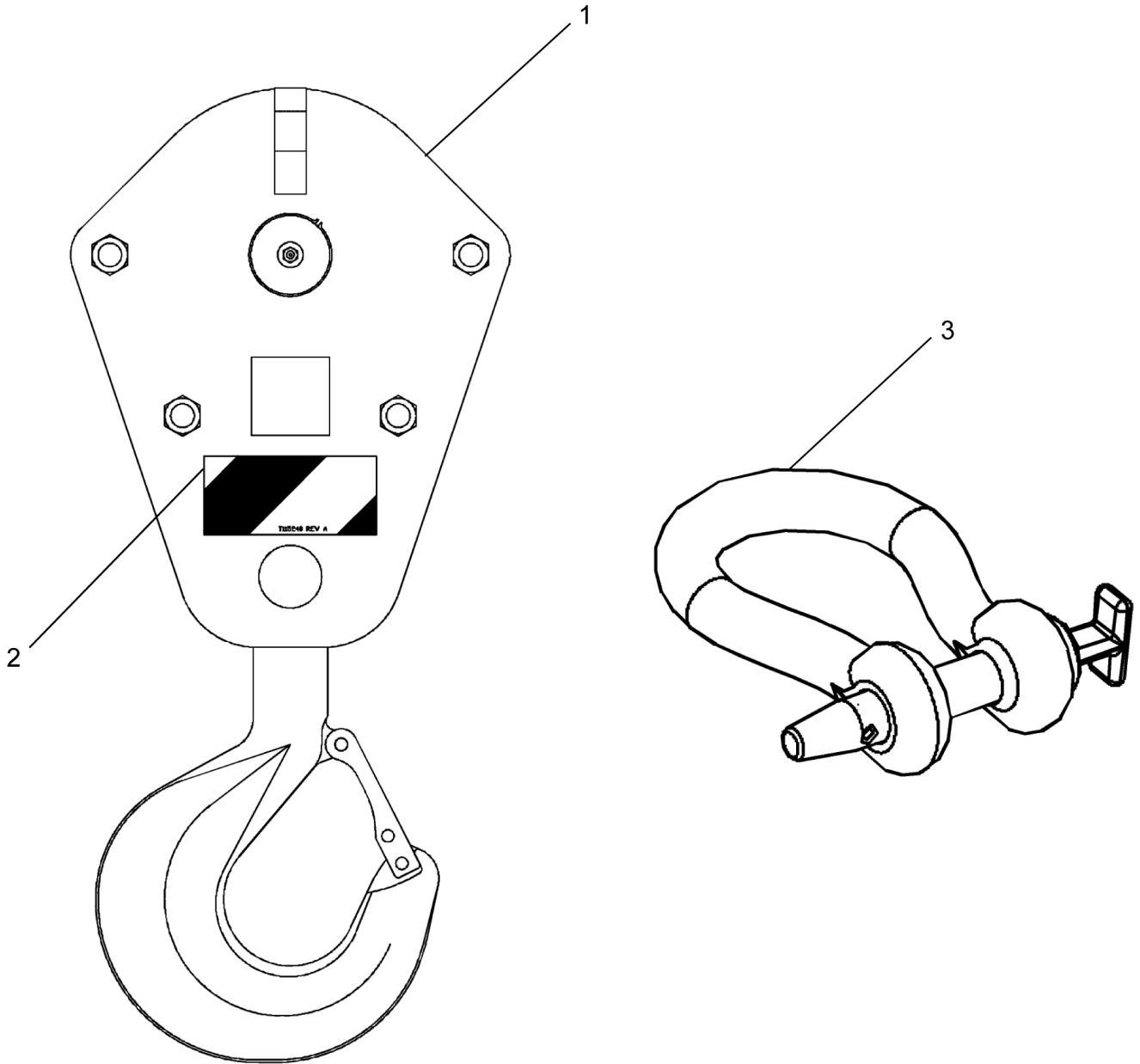
1

<u>REF</u>	<u>PART NO.</u>	<u>DESCRIPTION</u>	<u>QTY</u>
	861-60092 (Rev. 00)	<i>Load Block, 20T 2 or 3 Part 1 Sheave</i>	
1	215311	Housing	1
2	215326	Spacer	1
3	215312	Roller Thrust Bearing	1
4	219130	Hook & Nut Assembly	1
5	215323	J Latch Kit	1
6	217899	Lock Washer	2
7	217898	Hex Screw - Lock Wire	2
8	219131	Lock Wire	1
9	215286	Grease Fitting	1
10	NSS*_Weight	Cheek Weight	2
12	219132	Reeving Guide Assembly	1
13	219133	Jam Nut	4
14	219134	Tie Bolt	2
15	219135	Center Pin	1
16	215294	Spirolox	1
17	219136	Spacer	1
18**	215305	Roll Pin	1
19	215304	Grease Fitting	1
20	219137	Thrust Washer Bronze	1
21	219138	Sheave	1
22	219139	Dead End	1
23	215278	Roller Bearing	1
24	219136	Spacer	1
25	NSS*_Weight	Cheek Weight	2
26	219140	Name Plate	1
27	217857	Caution Plate	1
28	216955	Drive Screw	1
29	219134	Tie Bolt	1

* ITEM NOT SOLD SEPARATELY.
** ITEM NOT SHOWN IN ILLUSTRATION.

WHEN ORDERING PARTS, SPECIFY MODEL NUMBER, SERIAL NUMBER AND DESCRIPTION OF PARTS REQUIRED

	LOAD BLOCK 1 SHEAVE / 20 TON	DATE: Revised 04-2007	CHAPTER 1
		MODEL: 35-100	
		PAGE: 102	



<u>REF</u>	<u>PART NO.</u>	<u>DESCRIPTION</u>	<u>QTY</u>
	T115231 (Rev. C)	Load Block ASSY 30T, 4 or 5 Part 2 Sheave	
1	861-60096	Load Block, 30T 4 or 5 Part 2 Sheave (see page 105)	1
2	1007053	Decal - Safety Stripe 2.5 X 5.5 (Block)	2
3	T147170	Clevis Assembly 7/8 X 4-1/4	1

WHEN ORDERING PARTS, SPECIFY MODEL NUMBER, SERIAL NUMBER AND DESCRIPTION OF PARTS REQUIRED

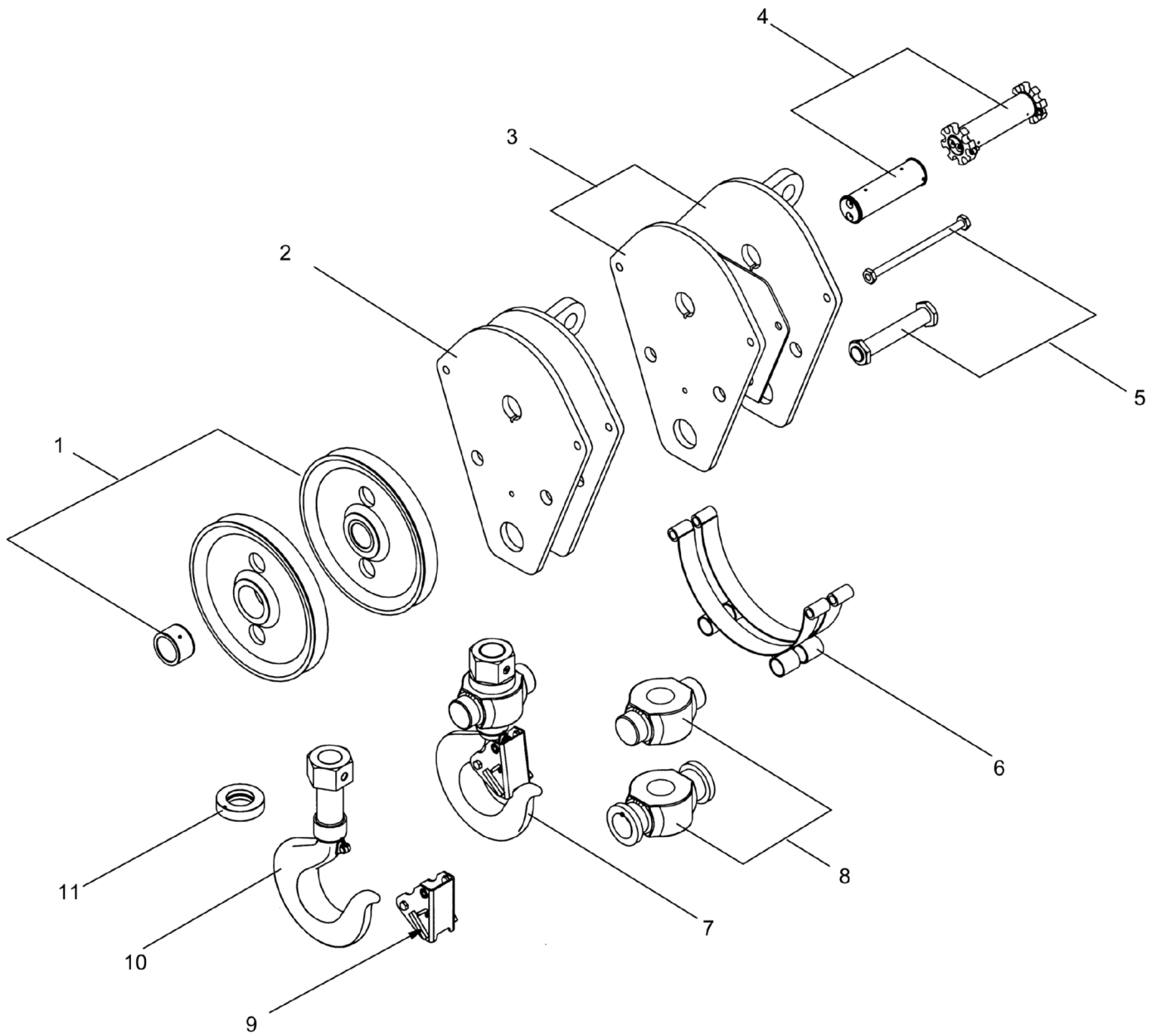


HOOK BLOCK ASSEMBLY 2 SHEAVE / 30 TON

DATE: Released 10-2016
MODEL: 35-100
PAGE: 103

CHAPTER

1



WHEN ORDERING PARTS, SPECIFY MODEL NUMBER, SERIAL NUMBER AND DESCRIPTION OF PARTS REQUIRED



LOAD BLOCK 2 SHEAVE / 30 TON

DATE: Revised 04-2007

MODEL: 35-100

PAGE: 104

CHAPTER

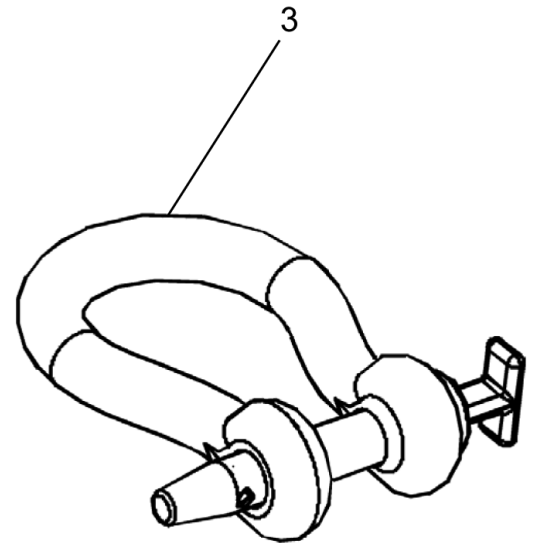
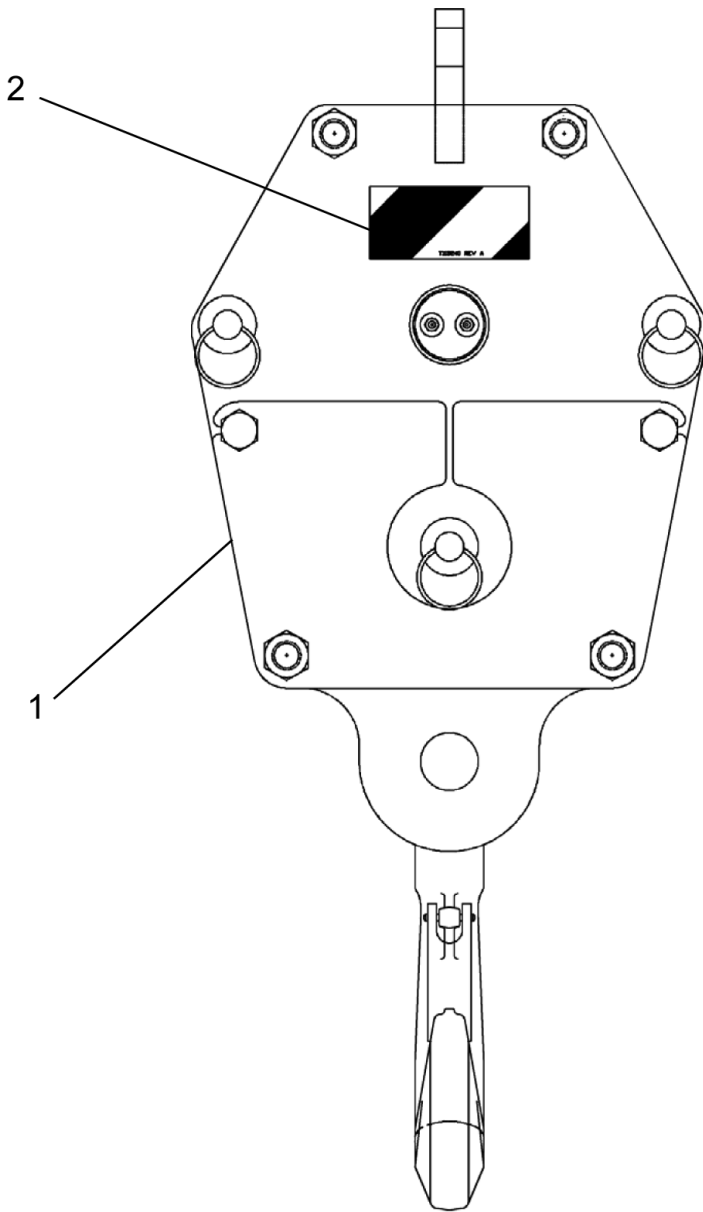
1

<u>REF</u>	<u>PART NO.</u>	<u>DESCRIPTION</u>	<u>QTY</u>
	861-60096 (Rev. 00)	<i>Load Block, 30T 4 or 5 Part 2 Sheave</i>	
1	861-90475	Sheave ASSY	2
1.1	861-90476	Sheave, Less Bearing	2
1.2	861-90477	Bearing ASSY, Sheave	2
2	861-90484	Plate Set, Load	1
3	861-90485	Plate Set, Complete	1
4	861-90478	Pin ASSY, Center	1
5	861-90483	Bolt ASSY, Upper	2
6	861-90486	Guard ASSY Set	1
7	861-90480	Trunnion/Hook ASSY W/Latch (Includes numbers 8 through 11)	1
8	861-90479	Trunnion ASSY	1
9	861-90454	Latch Kit	1
10	861-90481	Hook W/Nut	1
11	861-90482	Bearing, Hook	1
12*	861-90487	Kit, Warning, Block, Info	1

* ITEM NOT SHOWN IN ILLUSTRATION

WHEN ORDERING PARTS, SPECIFY MODEL NUMBER, SERIAL NUMBER AND DESCRIPTION OF PARTS REQUIRED

	LOAD BLOCK 2 SHEAVE / 30 TON	DATE: Revised 04-2007	CHAPTER 1
		MODEL: 35-100	
		PAGE: 105	



<u>REF</u>	<u>PART NO.</u>	<u>DESCRIPTION</u>	<u>QTY</u>
	T115245 (Rev. C)	Hook Block ASSY, Q Reeve 40T, 4 Sheave 5/8"	
1	410-4059	Load Block, Q Reeve 40T 4 Sheave 5/8" (see page 108)	1
2	1007053	Decal - Safety Stripe 2.5 X 5.5 (Block)	2
3	T147170	Clevis Assembly 7/8 X 4-1/4	1

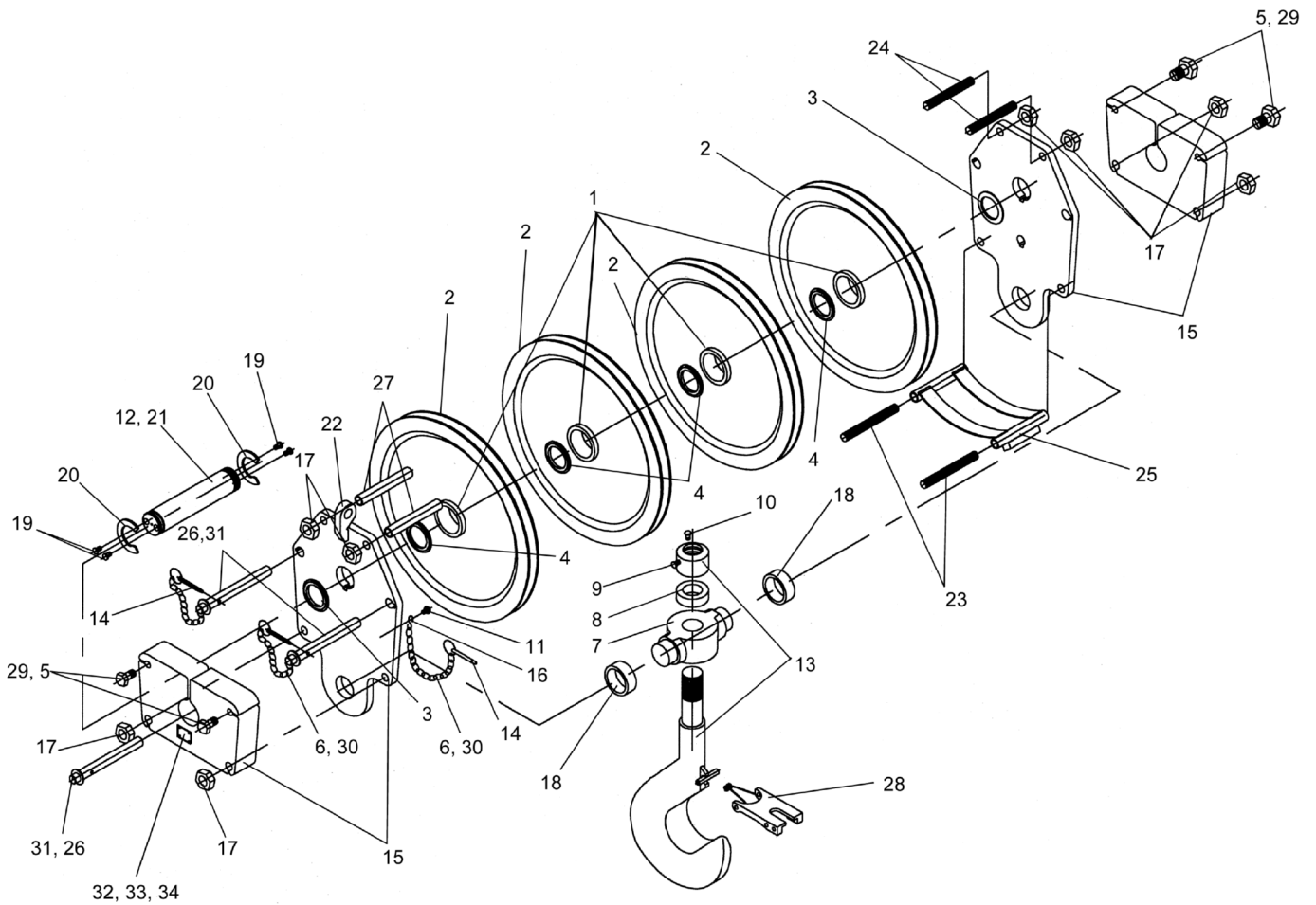
WHEN ORDERING PARTS, SPECIFY MODEL NUMBER, SERIAL NUMBER AND DESCRIPTION OF PARTS REQUIRED



HOOK BLOCK ASSEMBLY 4 SHEAVE / 40 TON

DATE: Released 10-2016
 MODEL: 35-100
 PAGE: 106

**CHAPTER
1**



WHEN ORDERING PARTS, SPECIFY MODEL NUMBER, SERIAL NUMBER AND DESCRIPTION OF PARTS REQUIRED



LOAD BLOCK 4 SHEAVE / 40 TON

DATE: Revised 10-2017

MODEL: 35-100

PAGE: 107

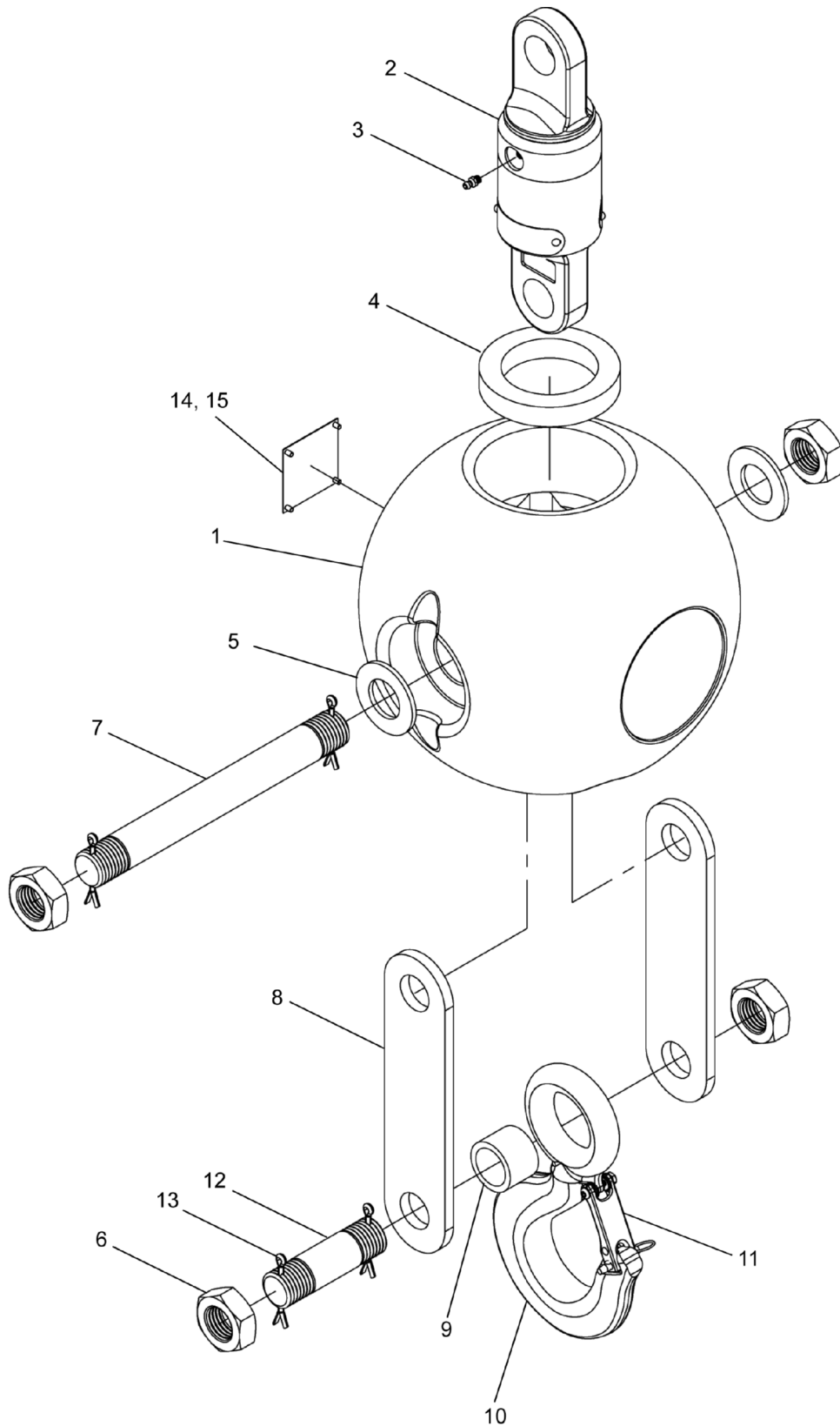
CHAPTER

1

<u>REF</u>	<u>PART NO.</u>	<u>DESCRIPTION</u>	<u>QTY</u>
	410-4059 (Rev. M)	<i>Load Block, Q Reeve 40T 4 Sheave 5/8"</i>	
1	215911	Outer Ring & Roller Assembly	4
2	215912	SHV WC 14.00 x 3.75 ID x .75 TK	4
3	215913	Thrust Washer	2
4	215914	Thrust Washer	3
5	215329	3/4" Capscrew	4
6	215291	Chain	3
7	215330	Housing	1
8	215285	Thrust Bearing	1
9	215286	Grease Fitting	1
10	215283	Set Screw	1
11	215327	3/8 Capscrew	1
12	215337	Roll Pin	1
13	215915	Hook & Nut	1
14	215290	Pin, Quick Release	3
15	215916	Plate Group	1
16	215301	S Hook	1
17	215280	Nut, 1"	8
18	215306	Spacer	2
19	215304	Grease Fitting	4
20	215917	Retaining Ring	2
21	215918	Center Pin	1
22	215292	Dead End	1
23	215334	Tie-Bolt	2
24	215333	Tie-Bolt	2
25	215332	QR 14R Guide AY	1
26	215335	11 L Pin 1 1/4	3
27	215336	Spacer	2
28	215919	Latch Kit	1
29	215287	Lockwasher, 3/4"	4
30	215303	Split Ring	3
31	215305	Roll Pin	3
32	220256	Load King Name Plate	1
33	220253	Caution Plate Load King (Opposite side)	1
34	216955	Drive Screw	14

WHEN ORDERING PARTS, SPECIFY MODEL NUMBER, SERIAL NUMBER AND DESCRIPTION OF PARTS REQUIRED

	LOAD BLOCK 4 SHEAVE / 40 TON	DATE: Revised 10-2017	CHAPTER 1
		MODEL: 35-100	
		PAGE: 108	



WHEN ORDERING PARTS, SPECIFY MODEL NUMBER, SERIAL NUMBER AND DESCRIPTION OF PARTS REQUIRED



LOADHOOK/BALL 7 TON TOP SWIVEL

DATE: Revised 10-2017

MODEL: 35-100

PAGE: 109

CHAPTER

1

<u>REF</u>	<u>PART NO.</u>	<u>DESCRIPTION</u>	<u>QTY</u>
	861-60087 (Rev. A)	<i>Ball & Hook, Swivel, 7 Ton</i>	
1	215394	OHB 200 Ball	1
2	229652	7EE	1
3	215286	Grease Fitting	1
4	216951	7EE200C Ring	1
5	215386	Washer11/4	2
6	215387	-7Nut J 11/4	4
7	215395	Pin Latch 1.25ODX11.1LG	1
8	215393	OHB ADP B 3/8	2
9	215392	SPR 1.75ODX1.31IDX1.25LG	1
10	215391	7Eye HK A 7	1
11	219129	Latch Kit	1
12	215389	Pin Latch 1.25ODX4.38LG	1
13	215388	Pin Cotter 0.19ODX1.75LG	4
14	219778	Name Plate Load King	1
15	216955	Drive Screw	4

WHEN ORDERING PARTS, SPECIFY MODEL NUMBER, SERIAL NUMBER AND DESCRIPTION OF PARTS REQUIRED



**LOADHOOK/BALL 7 TON TOP
SWIVEL**

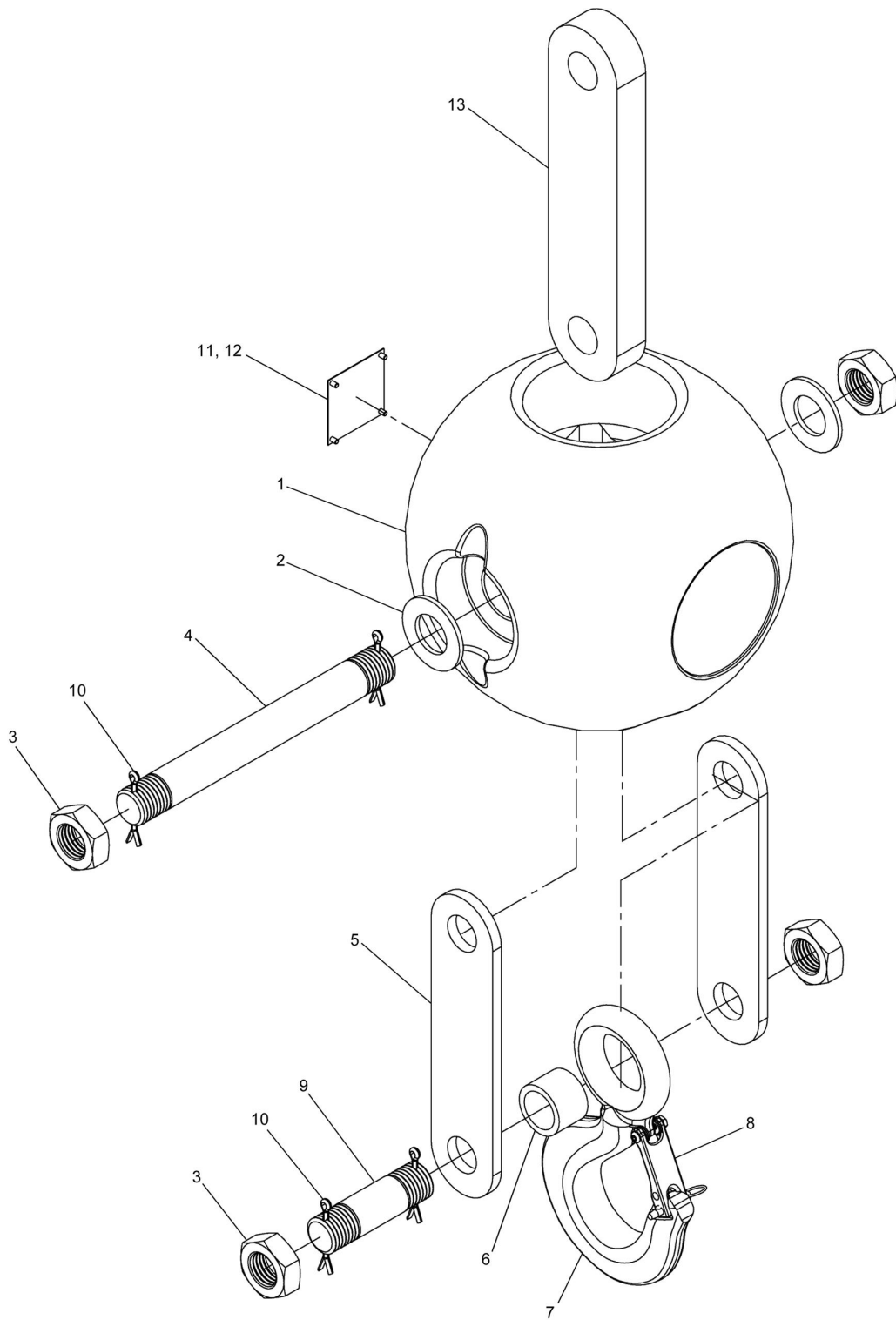
DATE: Revised 10-2017

MODEL: 35-100

PAGE: 110

CHAPTER

1



WHEN ORDERING PARTS, SPECIFY MODEL NUMBER, SERIAL NUMBER AND DESCRIPTION OF PARTS REQUIRED



LOADHOOK/BALL 7 TON NON SWIVEL

DATE: Revised 04-2007

MODEL: 35-100

PAGE: 111

CHAPTER

1

<u>REF</u>	<u>PART NO.</u>	<u>DESCRIPTION</u>	<u>QTY</u>
	861-60089 (Rev. 00)	<i>Ball & Hook, Non-Swivel 7 Ton</i>	
1	861-90565	OHB 200 Ball	1
2	861-90539	Washer 11/4	2
3	861-90509	-7 Nut J 11/4	4
4	861-90562	Pin Latch 1.25 OD X 11.1 LG	1
5	861-90543	OHB ADP B 3/8	2
6	861-90544	SPR 1.75 OD X 1.31 ID X 1.25 LG	1
7	861-90513	7 Eye HK A 7	1
8	209-00714	A-7J Latch Kit Installed	1
9	861-90511	Pin Latch 1.25 OD X 4.38 LG	1
10	861-90510	Pin Cotter 0.19 OD X 1.75 LG	4
11	Name Plate Load King	Name Plate	1
12	861-90490	Screw DR RD 0.14 OD X 0.25 LGNC	4
13	861-90514	OHB ADP B 11/4	1

WHEN ORDERING PARTS, SPECIFY MODEL NUMBER, SERIAL NUMBER AND DESCRIPTION OF PARTS REQUIRED



LOADHOOK/BALL 7 TON NON SWIVEL

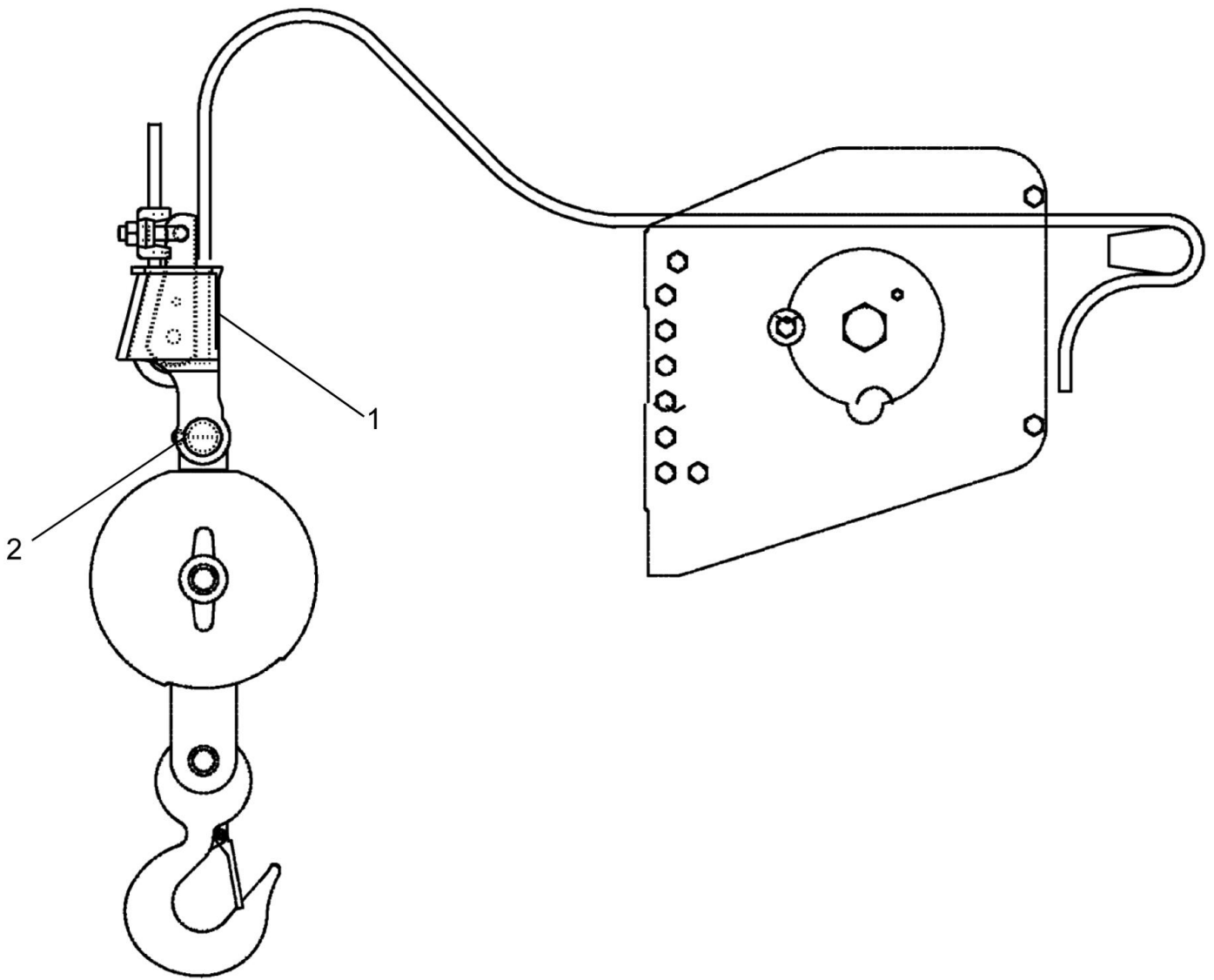
DATE: Revised 04-2007

MODEL: 35-100

PAGE: 112

CHAPTER

1



<u>REF</u>	<u>PART NO.</u>	<u>DESCRIPTION</u>	<u>QTY</u>
	861-90366 (Rev. A)	Wedge & Socket <i>INSTL</i>	
1	1234-43	Wedge & Socket (see page 114)	1
2	PLP-250XA75-20-PIN	Lynch Pin, 1/4X1-3/4	1

WHEN ORDERING PARTS, SPECIFY MODEL NUMBER, SERIAL NUMBER AND DESCRIPTION OF PARTS REQUIRED



WEDGE & SOCKET INSTL

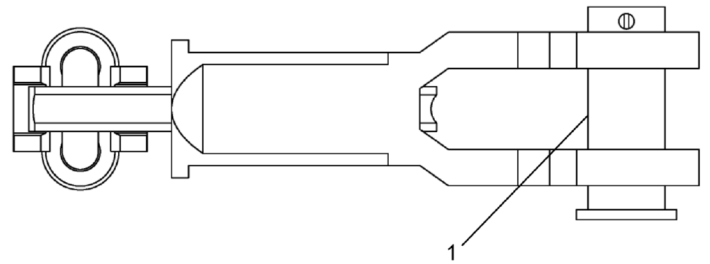
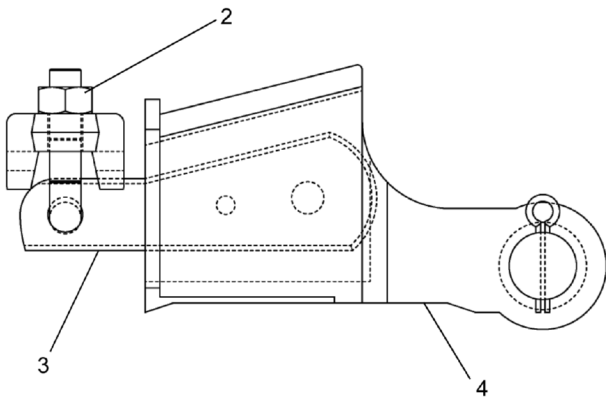
DATE: Released 10-2016

MODEL: 35-100

PAGE: 113

CHAPTER

1



<u>REF</u>	<u>PART NO.</u>	<u>DESCRIPTION</u>	<u>QTY</u>
	1234-43 (Rev. A)	<i>Wedge & Socket</i>	
1	T143912	Bolt & Cotter 5/8" Rope	1
2	1240-45	Clamp "U" Bolt Type 5/8 Cable	1
3	1234-19	Wedge	1
4	1234-18	Socket	1

WHEN ORDERING PARTS, SPECIFY MODEL NUMBER, SERIAL NUMBER AND DESCRIPTION OF PARTS REQUIRED



WEDGE & SOCKET INSTALLATION

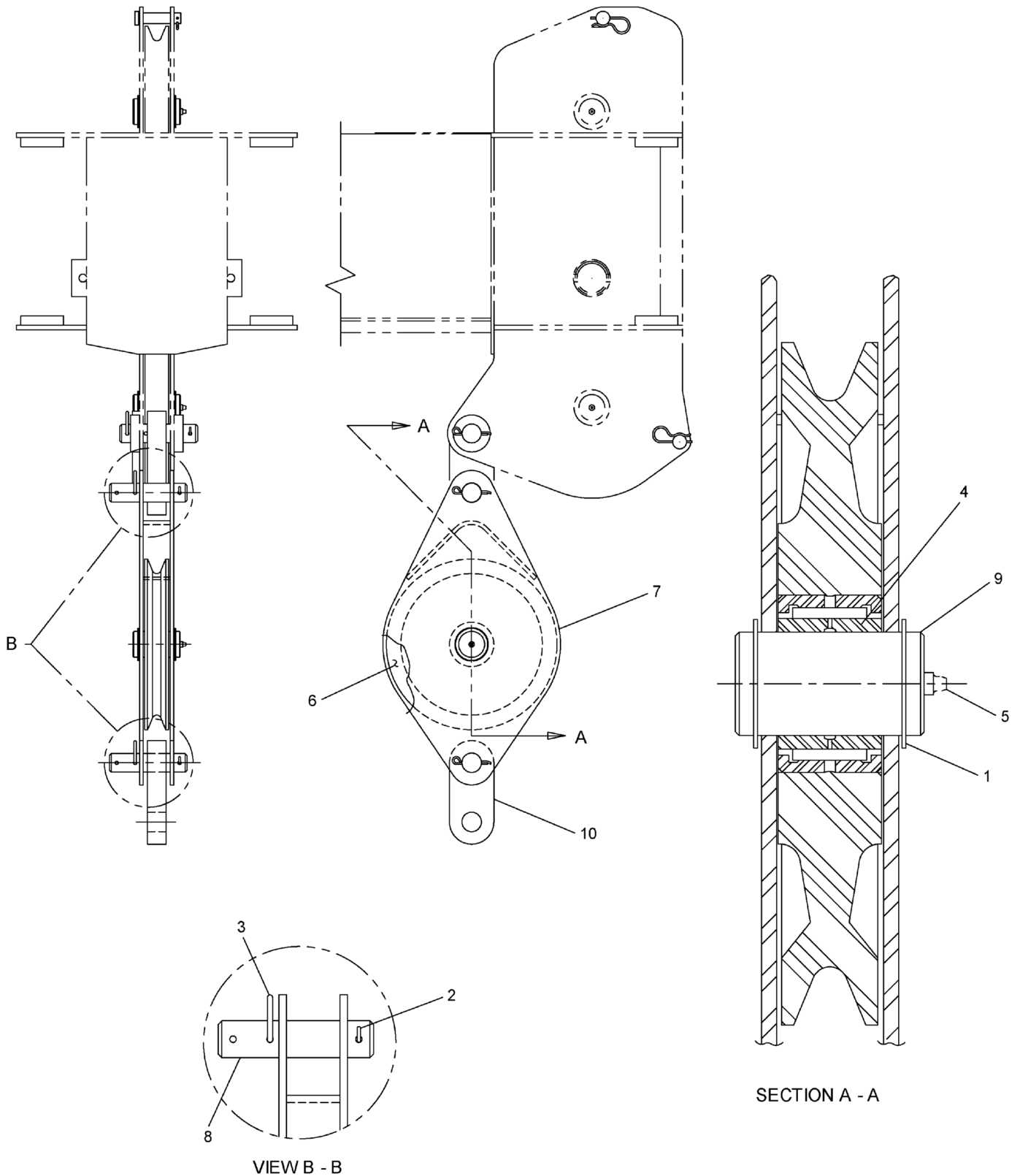
DATE: Released 10-2016

MODEL: 35-100

PAGE: 114

CHAPTER

1



WHEN ORDERING PARTS, SPECIFY MODEL NUMBER, SERIAL NUMBER AND DESCRIPTION OF PARTS REQUIRED



AUXILIARY SHEAVE ASSEMBLY

DATE: Revised 05-2018

MODEL: 35-100

PAGE: 115

CHAPTER

1

<u>REF</u>	<u>PART NO.</u>	<u>DESCRIPTION</u>	<u>QTY</u>
	735-00004 (Rev. C)	<i>Auxiliary Sheave Assembly</i>	
1	REX-A75X062-BP	Ring, Extsnp 1.75 X 0.062, ST BPH	2
2	P02-188XB00-20	Pin, Cotter 0.1875 X 2.00, ST SQC	2
3	PHP-178XC75-20	Pin, CTRHAIR 0.178 X 3.75 X 1.03, ST SQC	2
4	274-30004	RLR-BRG-IN Race MI-28	1
5	501-03001	Fitting, Lube Straight 1/4 -28 UNF	1
6	860-40050	Sheave Assembly-9/16 Rope (see page 117)	1
7	861-90320	Auxiliary Sheave Bracket Weld	1
8	870-30200	Pin, AUX. Sheave 1-1/4 DIA.	2
9	870-50058	Pin-Sheave	1
10	783-02786	Support Bar	1

WHEN ORDERING PARTS, SPECIFY MODEL NUMBER, SERIAL NUMBER AND DESCRIPTION OF PARTS REQUIRED



AUXILIARY SHEAVE ASSEMBLY

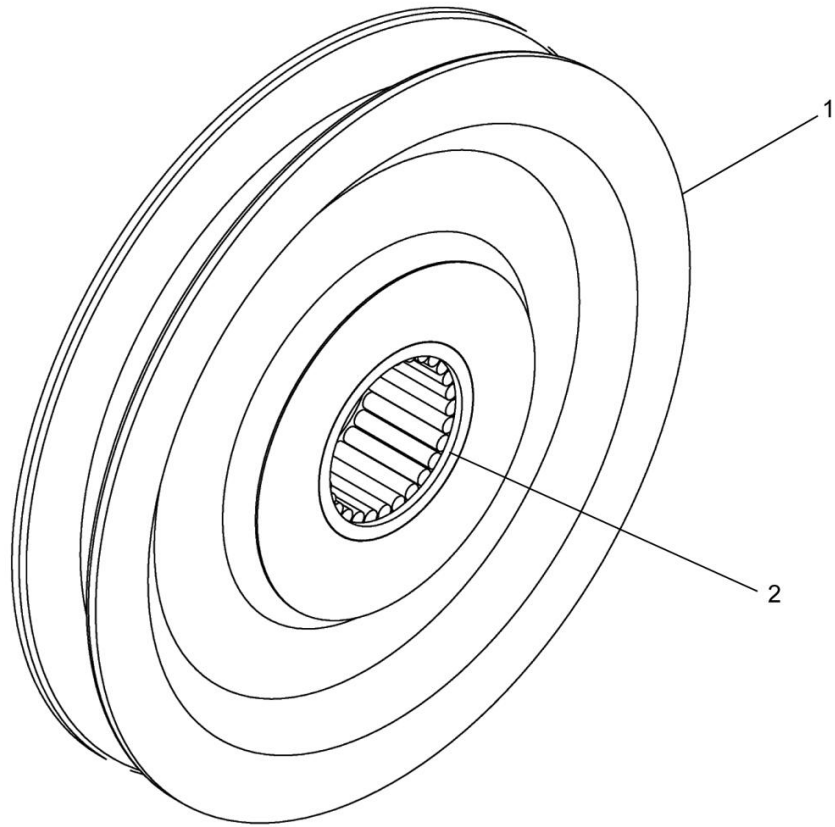
DATE: Revised 05-2018

MODEL: 35-100

PAGE: 116

CHAPTER

1



<u>REF</u>	<u>PART NO.</u>	<u>DESCRIPTION</u>	<u>QTY</u>
	860-40050 (Rev. B)	<i>Sheave Assembly-9/16 Rope</i>	
1	860-40051	Load Sheave	1
2	273-50002	Roller Bearing Outer Race (McGILL MR-36)	1

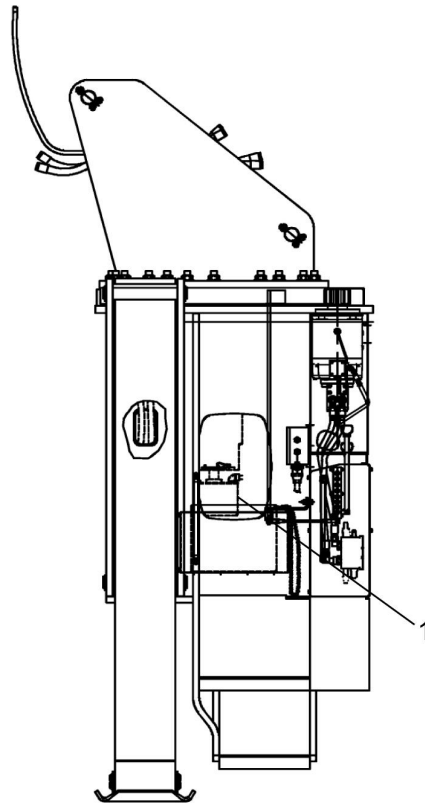
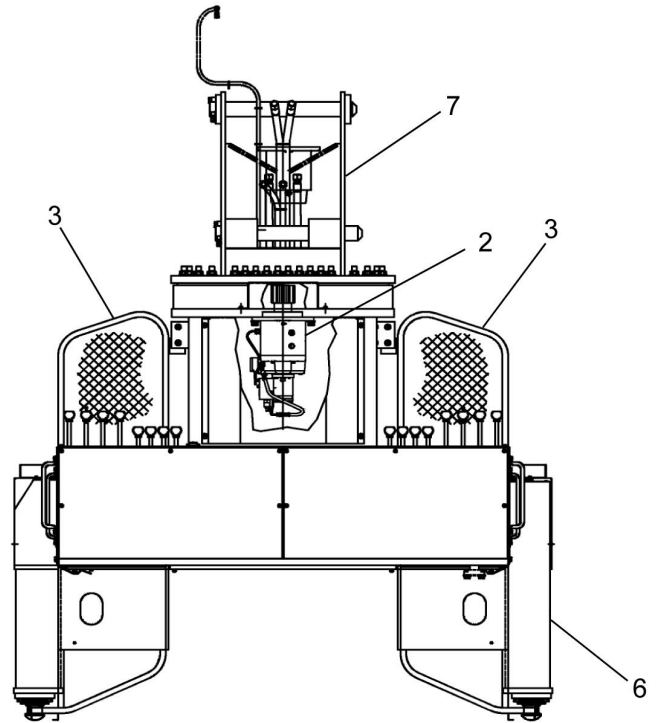
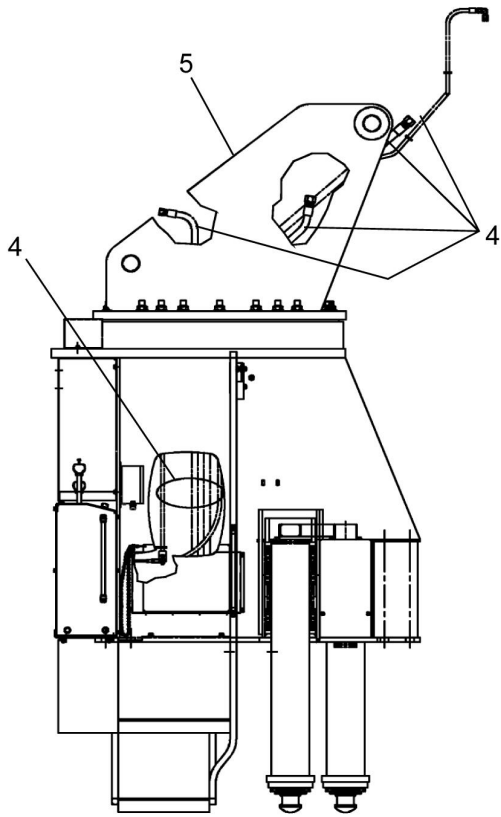
WHEN ORDERING PARTS, SPECIFY MODEL NUMBER, SERIAL NUMBER AND DESCRIPTION OF PARTS REQUIRED



SHEAVE ASSEMBLY

DATE: Released 10-2017
MODEL: 35-100
PAGE: 117

CHAPTER
1



WHEN ORDERING PARTS, SPECIFY MODEL NUMBER, SERIAL NUMBER AND DESCRIPTION OF PARTS REQUIRED



MAINFRAME ASSEMBLY (GRAY)

DATE: Revised 08-2013

MODEL: 35-100

PAGE: 118

CHAPTER

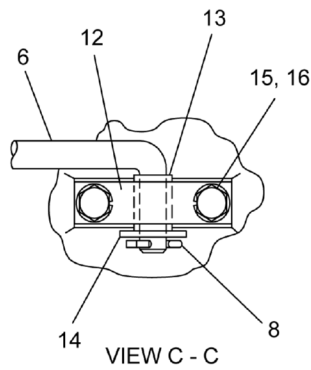
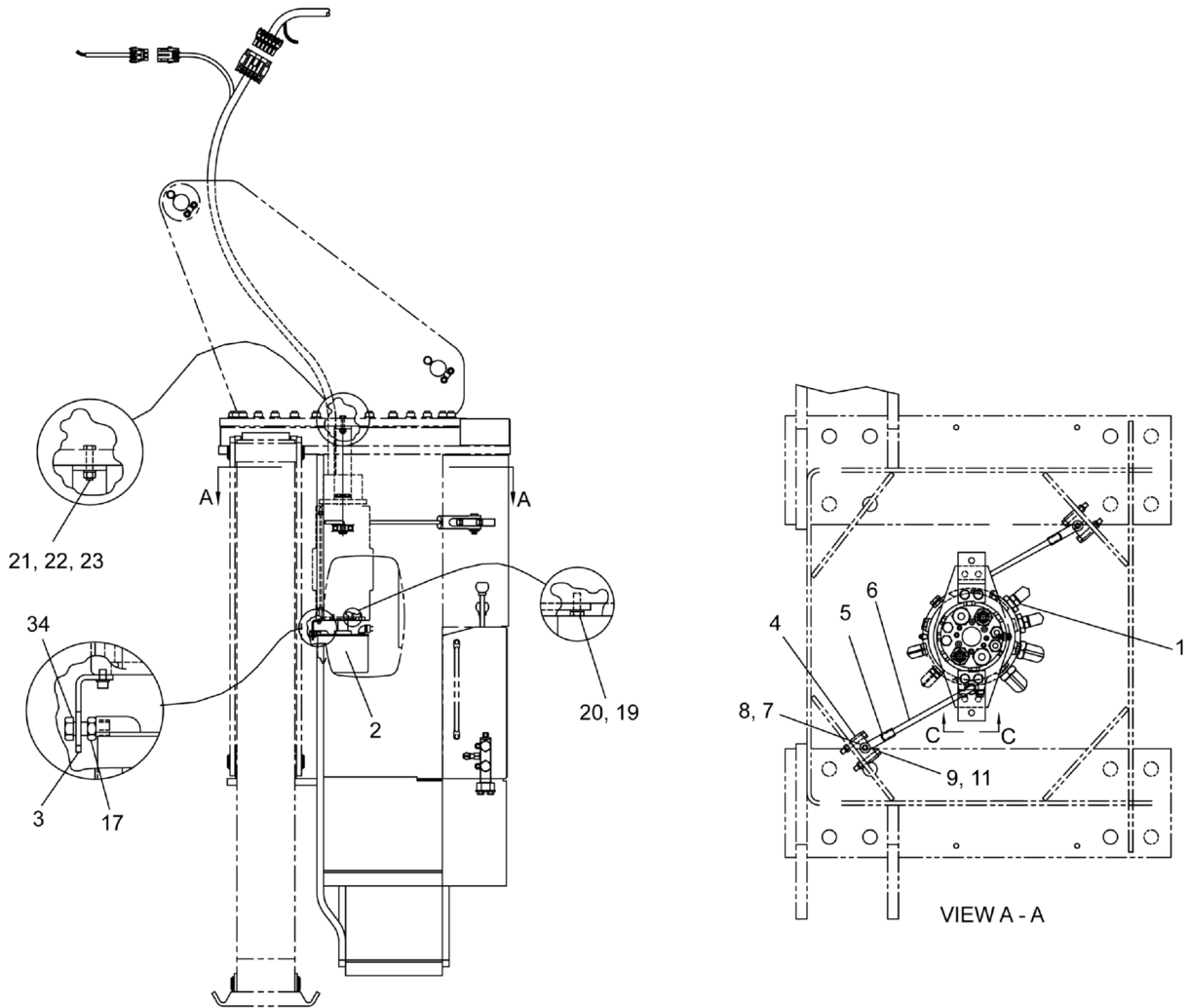
1

<u>REF</u>	<u>PART NO.</u>	<u>DESCRIPTION</u>	<u>QTY</u>
	700-00979-7 (Rev. N)	Mainframe Assembly 35-100 Series CONT. Rotation (Gray)	
1	500-01708	Center Post INSTL, CONT. Rotation (see page 122)	1
2	705-00043-3	Swing Installation W/Area DEF 7000 (Gray) (see page 126)	1
3	706-00022-4	Platform Installation (see page 131)	1
4	500-01796	HYD Piping, Mainframe Continuous Rotation (see page 135)	1
5	T121204	Main Frame With O/R Housing (see page 138)	1
6	T121203	ASSY, Main O/R INSTL (Gray) (see page 140)	1
7	710-00275-8	Turret Installation Group (see page 147)	1
8*	T126641	Non-Boom LMI Parts (Gray) (see page 149)	1

* ITEM NOT SHOWN IN ILLUSTRATION

WHEN ORDERING PARTS, SPECIFY MODEL NUMBER, SERIAL NUMBER AND DESCRIPTION OF PARTS REQUIRED

	MAINFRAME ASSEMBLY (GRAY)	DATE: Revised 08-2013	CHAPTER 1
		MODEL: 35-100	
		PAGE: 119	



WHEN ORDERING PARTS, SPECIFY MODEL NUMBER, SERIAL NUMBER AND DESCRIPTION OF PARTS REQUIRED



CENTER POST INSTALLATION CONTINUOUS ROTATION (GRAY)

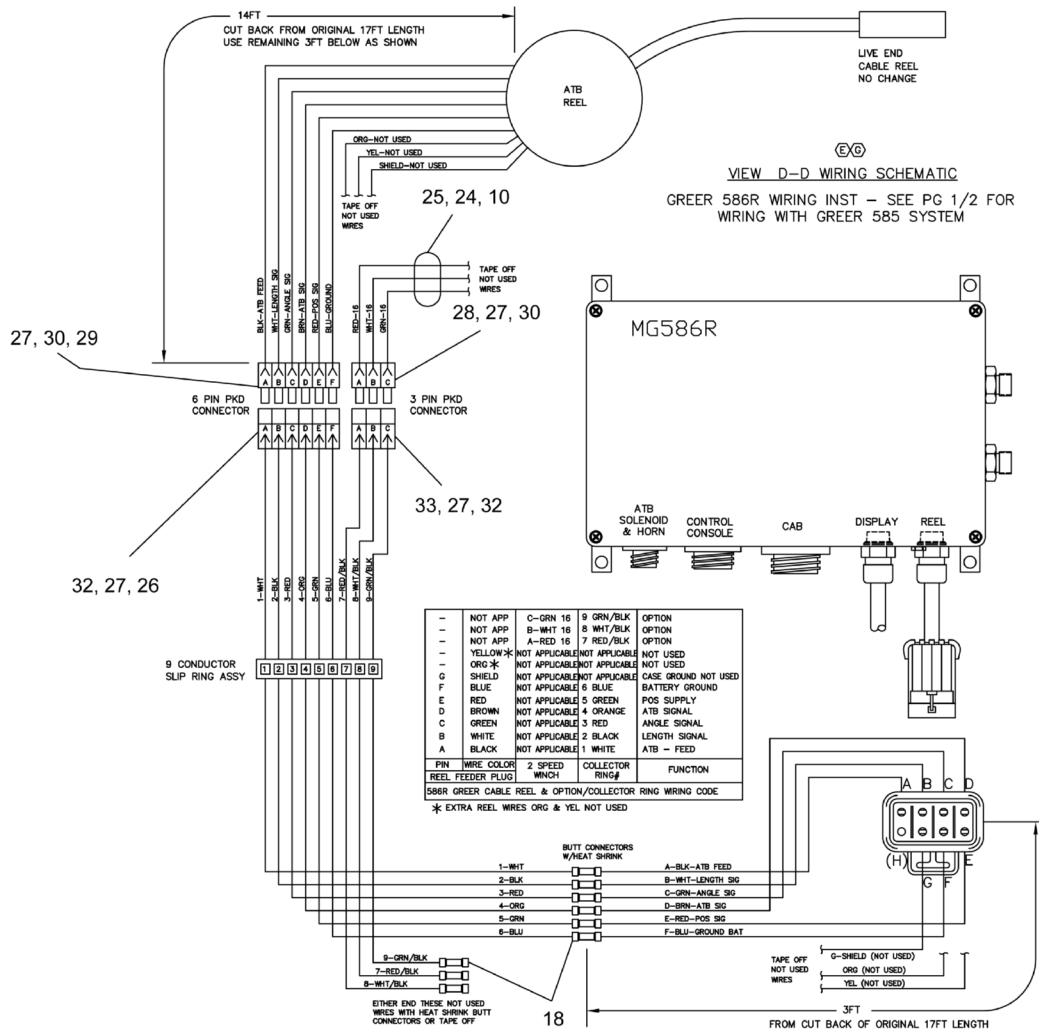
DATE: Revised 05-2018

MODEL: 35-100

PAGE: 120

CHAPTER

1



WHEN ORDERING PARTS, SPECIFY MODEL NUMBER, SERIAL NUMBER AND DESCRIPTION OF PARTS REQUIRED



CENTER POST INSTALLATION CONTINUOUS ROTATION (GRAY)

DATE: Revised 05-2018

MODEL: 35-100

PAGE: 121

CHAPTER

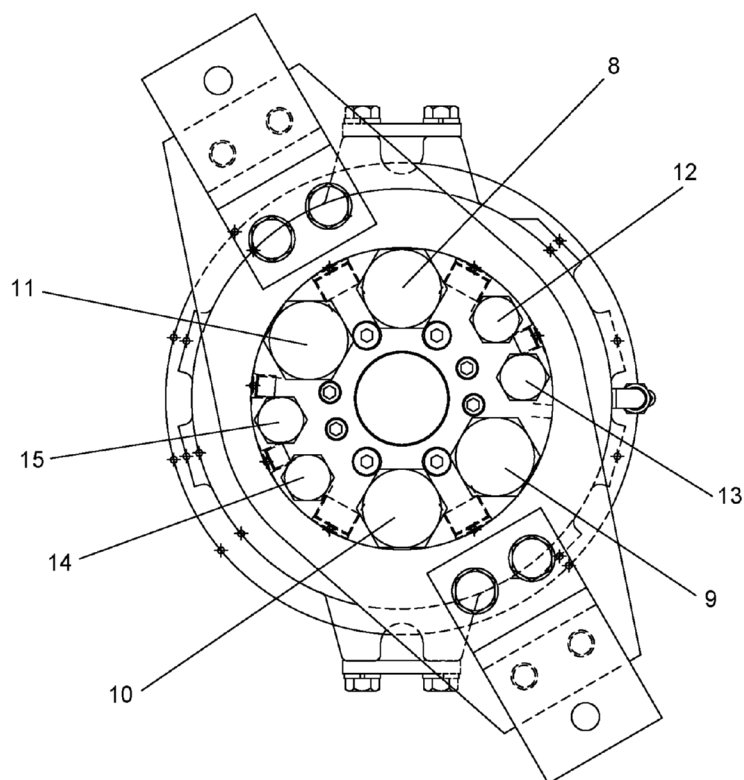
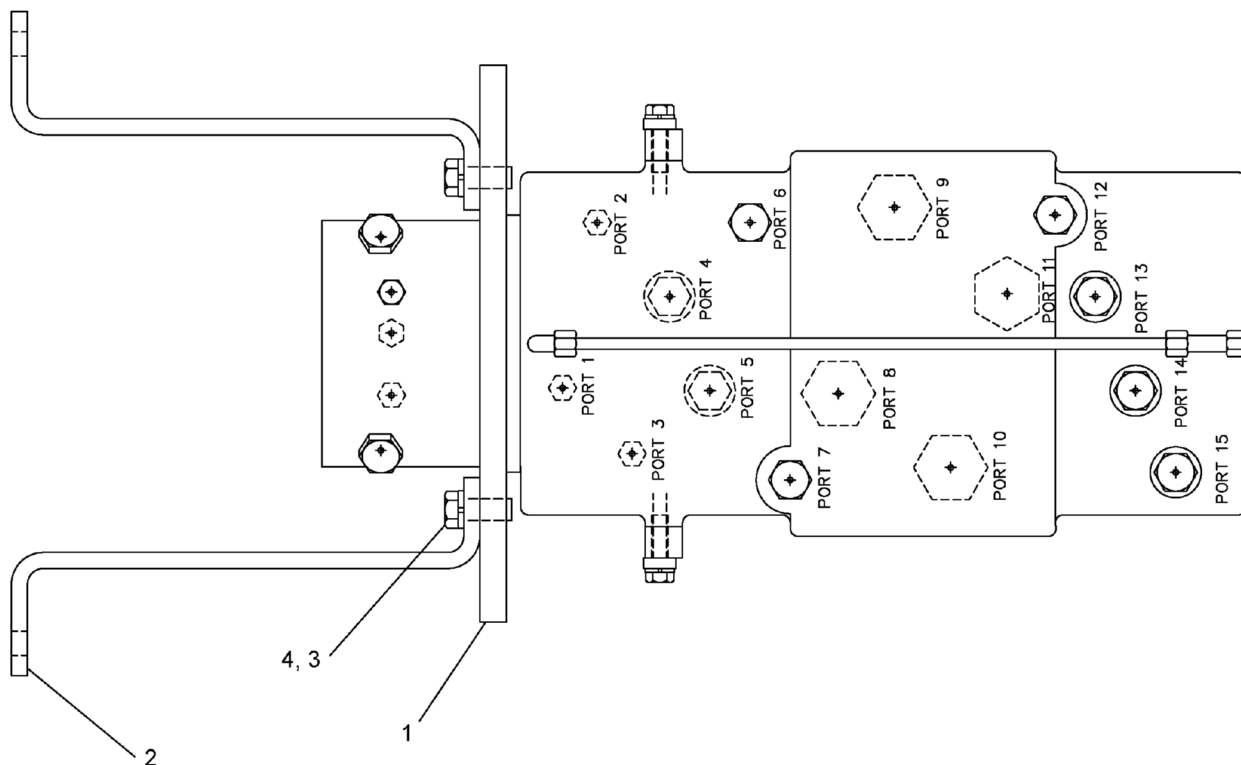
1

<u>REF</u>	<u>PART NO.</u>	<u>DESCRIPTION</u>	<u>QTY</u>
	500-01708 (Rev. K)	<i>Center Post INSTL, CONT. Rotation</i>	
1	500-01566	Centerpost ASSY, CONT. ROT. (see page 122)	1
2	400-17082	Collector ASSY, 9 Ring	1
3	785-02111	Angle, Collector Ring Stop	1
4	783-03134	Bar, Torque Rod SUPT.	2
5	809-00036	Yoke, 1/2-20UNF	2
6	209-00677	Torque Rod, Centerpost	2
7	870-00008	Pin, Clevis ø1/2	2
8	224-02004	Cotter Pin, ø1/8 X 1 PLTD	4
9	220-01007	BLT HH 5/16NC X 2-1/2 G5 PLTD	4
10	400-01375	Wire, FLM RET 16GA GRN (3-790)	0.5'
11	NYL-312C000-25	Nut, HEX NYL-INS 0.312-18, ST SQC G5	4
12	789-04121	Plate, Torque Rod Retainer	2
13	502-30604	Hose, Torque Rod Spacer	2
14	WAW-50WX000-20	WSH, FL TYPA-WID 0.50, ST SQC	2
15	SHF-375CA25-25	SCR, HHCS 0.375-16 X 1.25, ST Z GR5	4
16	W07-375X000-20	WSH, LCK, MED SPLT 0.375, ST Z	4
17	N05-500C000-25	Nut, HEX JAM 0.50-13, ST SQC G5	1
18	400-02343	BUTT CONN W/HT Shrink 14/16GA	9
19	W07-250X000-20	WSH, LCK, MED SPLT 0.25 ST Z	4
20	SHF-250C750-25	SCR, HHCS, FT 0.25-20 X 0.75, ST SQC G5	20
21	220-04052	HH Bolt, 1/2-13UNC X 2 1/4 GR 8	2
22	WAH-50NX000-20	WSH, FL A-NRW 0.50, ST SQC	2
23	NTP-500C000-2C	Nut, HEX TPLCK 0.50-13, ST SQC GC	2
24	400-01379	Wire, FLM RET 16GA WHT(3-790)	0.5'
25	400-01376	Wire, FLM RET 16GA Red (3-790)	0.5'
26	400-23461	CONN, 6 POS Male Pins PKD	1
27	400-23191	Seal, PKD WPK 14/16GA	18
28	400-23367	CONN, PKD WKD 3 POS FEM Pins	1
29	400-23460	CONN, 6 POS FEM Pins PKD	1
30	400-23407	FEM TERM, 12/14GA PKD W/PAK	9
31*	400-15088	Cable Tie, Nylon 11 15/32	4
32	400-23408	Male TERM, 12/14/16GA WPK	9
33	400-23406	CONN, PKD WKD 3 POS Male Pins	1
34	S01-500CA50-25	SCR, HHCS 0.50-13X1.50 ST Z G5	1

* ITEM NOT SHOWN IN ILLUSTRATION

WHEN ORDERING PARTS, SPECIFY MODEL NUMBER, SERIAL NUMBER AND DESCRIPTION OF PARTS REQUIRED

	CENTER POST INSTALLATION CONTINUOUS ROTATION (GRAY)	DATE: Revised 05-2018	CHAPTER 1
		MODEL: 35-100	
		PAGE: 122	



WHEN ORDERING PARTS, SPECIFY MODEL NUMBER, SERIAL NUMBER AND DESCRIPTION OF PARTS REQUIRED



HYDRAULIC SWIVEL, 15 PASS CONTINUOUS ROTATION

DATE: Revised 05-2018

MODEL: 35-100

PAGE: 123

CHAPTER

1

<u>REF</u>	<u>PART NO.</u>	<u>DESCRIPTION</u>	<u>QTY</u>
	500-01566 (Rev. K)	Centerpost ASSY, CONT. ROT.	
1	560-00066	Centerpost ASSY., 15 Passage	1
2	770-01896	BRKT, CNTRPST MTG-TC3400	2
3	SHF-500CA25-25	SCR, HHCS FT 0.50-13 X 1.25, ST SQC G5	4
4	W07-500X000-20	WSH, LCK, MED SPLT 0.50, ST SQC	4
5*	513-70026	Adapter, MOFS-12/MORB-16	2
6*	513-60012	Adapter, MOFS-10/MORB-8	2
7*	514-52003	Elbow 90 S.N. #4 OFS	1
8	513-20017	STR CONN, M#4 OFS X M#4 ORB	1
9	514-59023	Elbow, 90, MOFS-12/MORB-16	2
10	514-55011	Elbow, 90, MOFS-8/MORB-8	2
11	570-20010	Plug, SOC Head, 1/8 NPT	1
12	517-30001	Plug HEX Head 1/2 (A6N)	10
13	517-30005	O/R Plug	4
14	517-00100	Adapter	4
15	513-60008	CONN. Parker #10	2
16*	514-56005	Elbow, 90, MOFS-10/MORB-10, L	2
17*	513-40018	Adapter, MOFS-6/MORB-8	2

* ITEM NOT SHOWN IN ILLUSTRATION

WHEN ORDERING PARTS, SPECIFY MODEL NUMBER, SERIAL NUMBER AND DESCRIPTION OF PARTS REQUIRED



HYDRAULIC SWIVEL, 15 PASS CONTINUOUS ROTATION

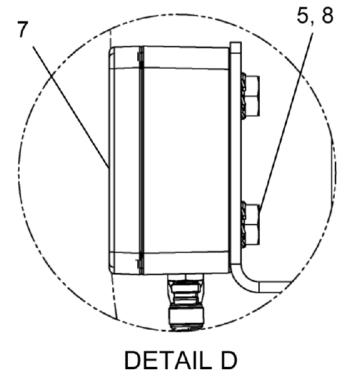
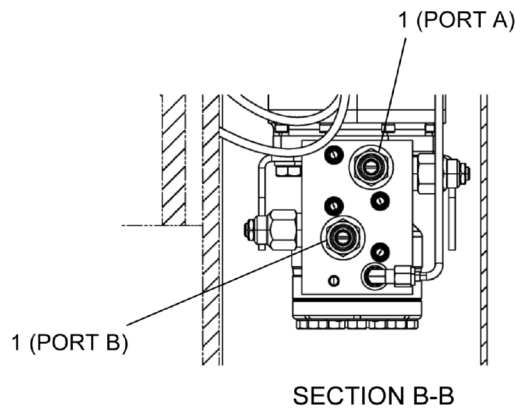
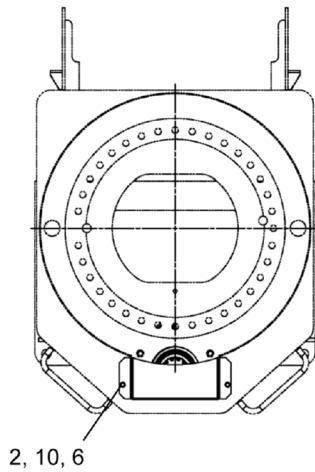
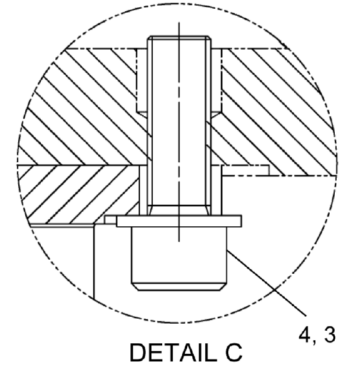
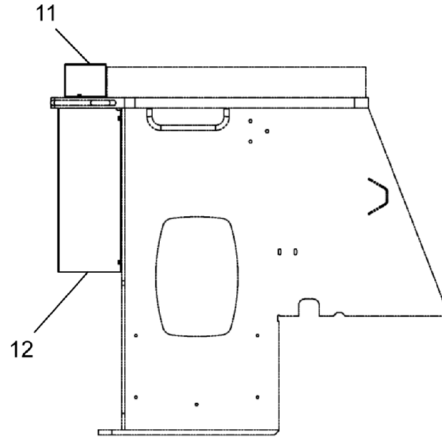
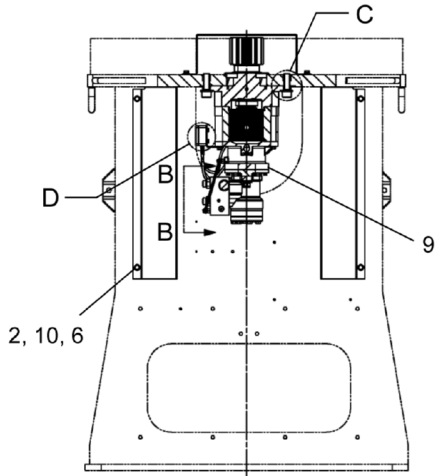
DATE: Revised 05-2018

MODEL: 35-100

PAGE: 124

CHAPTER

1



WHEN ORDERING PARTS, SPECIFY MODEL NUMBER, SERIAL NUMBER AND DESCRIPTION OF PARTS REQUIRED



SWING INSTALLATION (GRAY)

DATE: Revised 03-2018

MODEL: 35-100

PAGE: 125

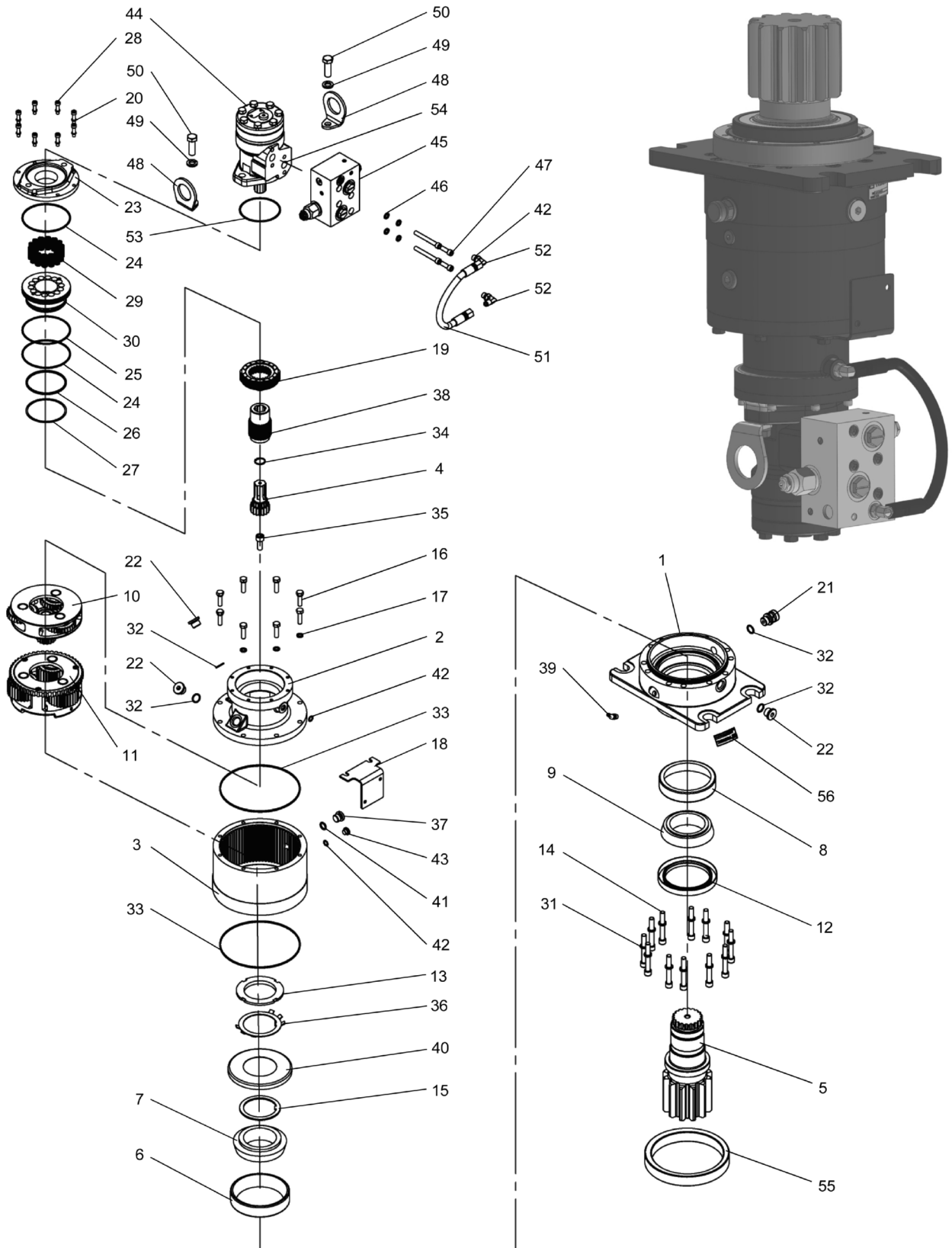
CHAPTER

1

<u>REF</u>	<u>PART NO.</u>	<u>DESCRIPTION</u>	<u>QTY</u>
	705-00043-3 (Rev. C)	<i>Swing Installation W/Area DEF 7000 (Gray)</i>	
1	513-50027	Adapter, MOFS-8/MORB-10	2
2	WAN-31NX000-20	WSH, FL TYPA-NRW 0.3125, ST Z	6
3	WAH-75NX000-Y2	WSH, FL HRD A-NRW 0.75, ST YZ	4
4	S14-750CB25-H2	SCR, SHCS 0.75-10 X 2.25, ST Z	4
5	SHF-250C625-25	SCR, HHCS FT 0.25-20 X 0.625, STZ G5	2
6	SHF-312C750-25	SCR, HHCS FT 0.312-18 X 0.75 ST SQC G5	6
7	T145537	Wad Sensor	1
8	T145587	Washer, Lock, External Tooth, 0.25	2
9	T146435	Swing Drive (Omnigear) (see page 128)	1
10	W07-312X000-20	WSH, LCK, MED SPLT 0.3125, ST SQC	6
11	802-01644-P7	Cover, Pinion Gear Mainframe	1
12	802-01645-P7	Cover, Rotation Gearbox (Gray)	1

WHEN ORDERING PARTS, SPECIFY MODEL NUMBER, SERIAL NUMBER AND DESCRIPTION OF PARTS REQUIRED

	<h2>SWING INSTALLATION (GRAY)</h2>	DATE: Revised 03-2018	CHAPTER 1
		MODEL: 35-100	
		PAGE: 126	



WHEN ORDERING PARTS, SPECIFY MODEL NUMBER, SERIAL NUMBER AND DESCRIPTION OF PARTS REQUIRED



SWING DRIVE - GEARBOX (OMNIGEAR)

DATE: Revised 05-2017

MODEL: 35-100

PAGE: 127

CHAPTER

1

<u>REF</u>	<u>PART NO.</u>	<u>DESCRIPTION</u>	<u>QTY</u>
	T146435 (Rev. A)	<i>Swing Drive (Omnigear)</i>	
1	229608	Housing - HR	1
2	229609	End Cap Input - BK	1
3	229610	Gear, Ring 77T	1
4	229611	Gear Sun, Primary 16T	1
5	229612	Output Shaft Pinion 12T - G3	1
6	229613	Bearing Cup	1
7	229614	Bearing Cone	1
8	229615	Bearing Cup	1
9	229616	Bearing Cone	1
10	229617	Primary Carrier Sub-ASSY	1
11	229618	Secondary Carrier Sub-ASSY	1
12	229619	Oil Seal	1
13	229620	Lock Nut, M70X2	1
14	229621	Socket Head Capscrew, M10X1.25, GR10.9	12
15	229622	Spacer, Flat Tongued	1
16	229623	HEX Head Bolt, M8X1.25, GR.10.9	8
17	229596	Lock Washer, M8	8
18	229624	Bracket, Conditioner W.A.D.	1
19	229625	Brake	1
20	229626	Spring Washer, M6	8
21	229627	Breather Plug, M18X1.5	1
22	229628	Flange Plug, M18X1.5	3
23	229629	Motor Adaptor - A1	1
24	229630	O-Ring	2
25	229631	Back Up Ring For O-Ring- 154	1
26	229632	O-Ring	1
27	229633	Back Up Ring For O-Ring- 237	1
28	229634	Socket Head ACP Screw, M6X1.0, GR.10.9	8
29	229635	Spring	14
30	229636	Hydraulic Piston	1
31	229637	Lock Washer, M10	12
32	229638	O-Ring (15.3 X 2.2)	4
33	229639	O-Ring (164.8 X 2.6)	2
34	229640	Retaining Ring, Internal, #22	1
35	229641	Socket Head Capscrew, M10X1.25, GR.8.8	1
36	229642	Lock Nut Washer, M70	1
37	229643	Flange Plug, 5/8"-18UNF	1
38	229644	Break Rotor	1
39	229645	Grease Zerk 1/8"-27 NPT	1
40	229647	Grease Shield	1
41	229648	Flange Plug, 7/16"-20UNF	1
42	229605	O-Ring	3
43	229649	O-Ring # 112	1
44	229594	Hydraulic Motor	1
45	229595	Manifold Assembly	1
46	229596	Lock Washer, M8	4
47	229597	Socket Head Capscrew M8X1.25X65	4
48	229598	Lift LUG	2
49	229599	Lock Washer, 1/2	2

WHEN ORDERING PARTS, SPECIFY MODEL NUMBER, SERIAL NUMBER AND DESCRIPTION OF PARTS REQUIRED



SWING DRIVE - GEARBOX (OMNIGEAR)

DATE: Revised 05-2017

MODEL: 35-100

PAGE: 128

CHAPTER

1

<u>REF</u>	<u>PART NO.</u>	<u>DESCRIPTION</u>	<u>QTY</u>
	T146435 (Rev. A)	<i>Swing Drive (Omnigear)</i>	
50	229600	Capscrew, 1/2" - 13UNC	2
51	229075	Hydraulic Hose	1
52	229602	Set. Thread Elbow	2
53	229603	O-Ring Hydraulic Port	2
54	229604	O-Ring, Motor Pilot	1
55	229606	Eccentric Ring	1
56	229076	ID Tag	1

WHEN ORDERING PARTS, SPECIFY MODEL NUMBER, SERIAL NUMBER AND DESCRIPTION OF PARTS REQUIRED



**SWING DRIVE - GEARBOX
(OMNIGEAR)**

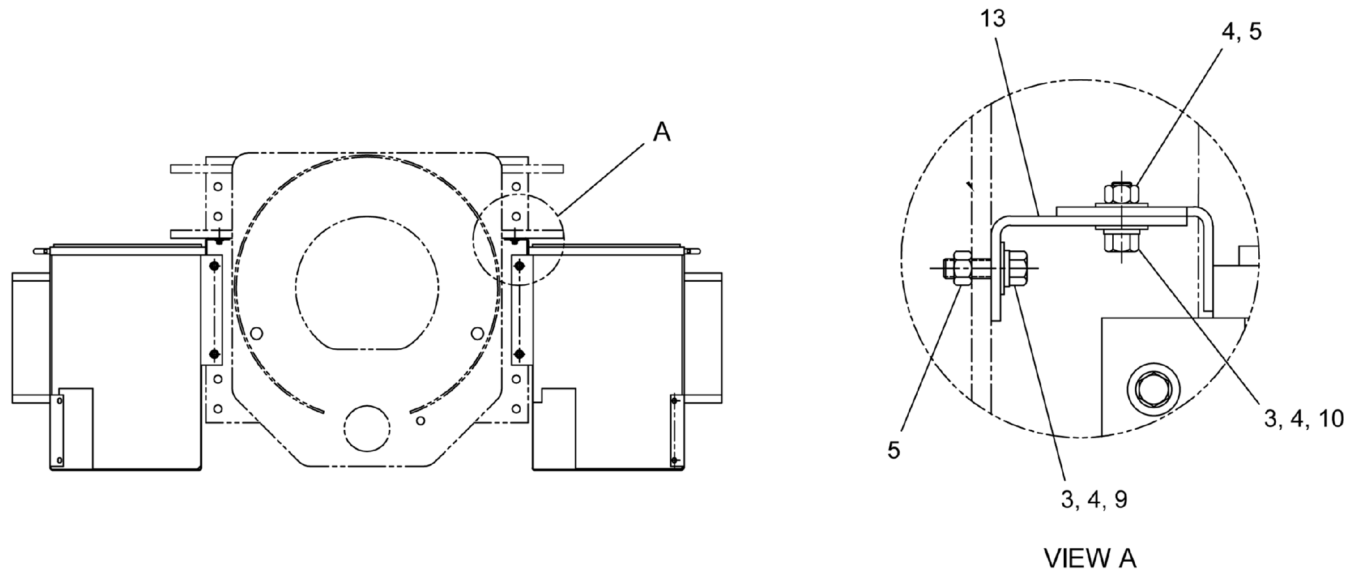
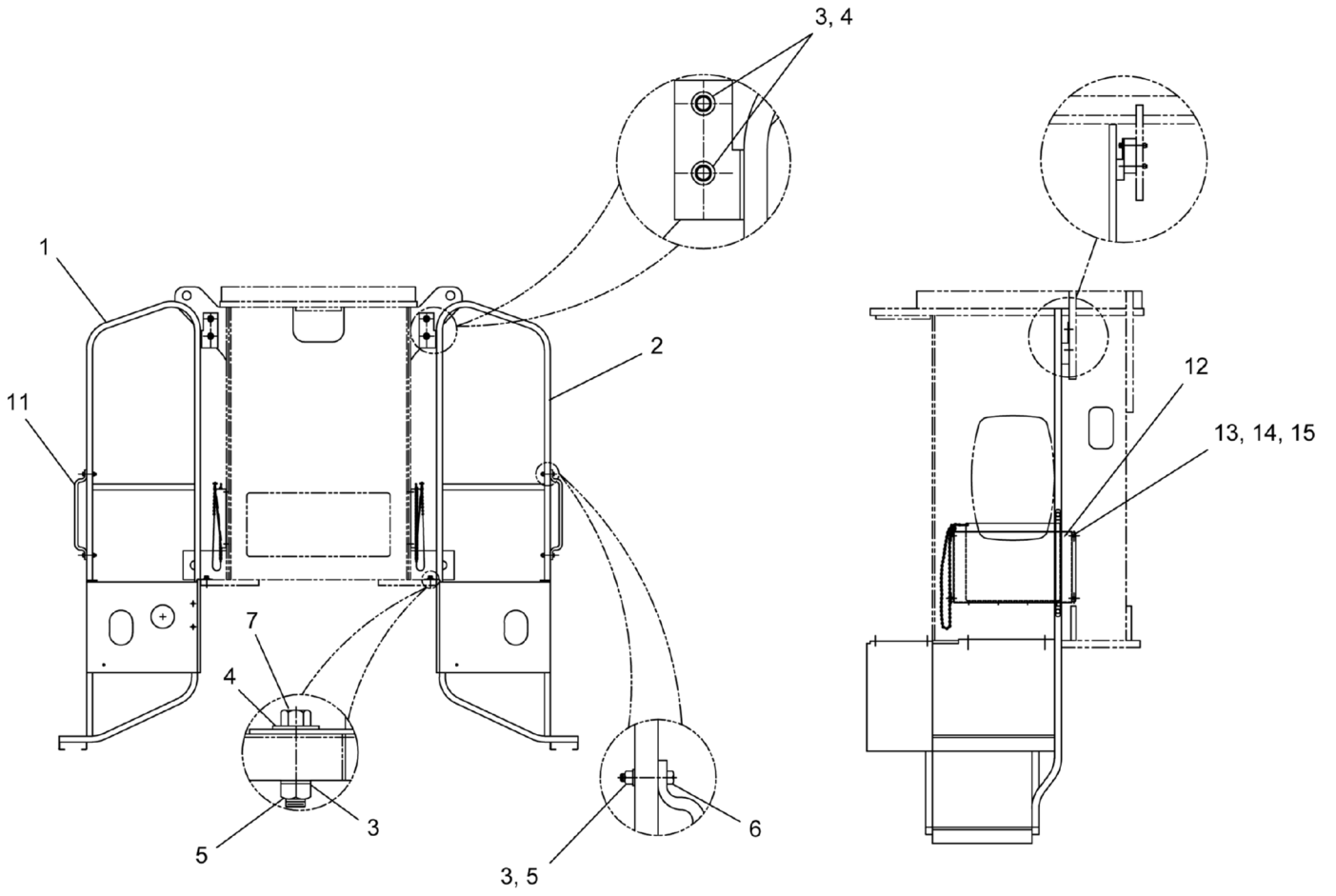
DATE: Revised 05-2017

MODEL: 35-100

PAGE: 129

CHAPTER

1



WHEN ORDERING PARTS, SPECIFY MODEL NUMBER, SERIAL NUMBER AND DESCRIPTION OF PARTS REQUIRED



PLATFORM INSTALLATION

DATE: Revised 05-2018
 MODEL: 35-100
 PAGE: 130

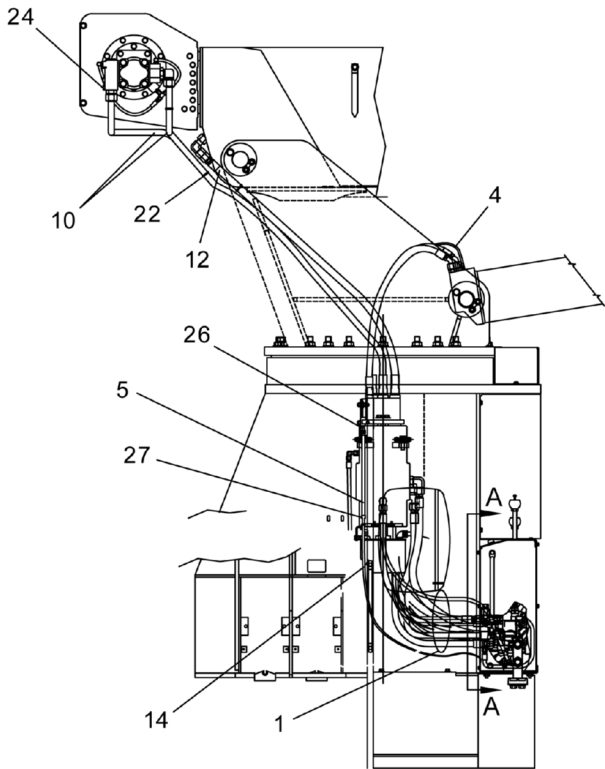
CHAPTER
1

<u>REF</u>	<u>PART NO.</u>	<u>DESCRIPTION</u>	<u>QTY</u>
	706-00022-4 (Rev. E)	<i>Platform Installation</i>	
1	709-01301	Platform, Weld LH	1
2	709-01300	Platform Weld RH	1
3	W07-375X000-20	WSH, LCK, MED SPLT 0.375, ST Z	16
4	WAR-375X000-22	WSH, FL, TYPA-REG 0.375, ST SQC G2	16
5	N04-375C000-22	Nut-HEX 0.375-16, ST SQC G2	16
6	S01-375CB00-25	SCR, HHCS 0.375-16 X 2.00, ST SQC G5	4
7	S01-375CA75-25	SCR, HHCS 0.375-16 X 1.75, ST SQC G5	4
8*	SHF-375CA00-25	SCR, HHCS FT 0.375-16 X 1.00, ST SQC G5	4
9	SHF-375CA25-25	SCR, HHCS 0.375-16 X 1.25, ST Z GR5	4
10	770-02492	Bracket Mounting Platform	2
11	209-00444	Grab Handle #2399-D	2
12	209-00866	ASSY, CAP Holder W/ MTG PLT	2
13	N04-250C000-25	Nut, HEX 025-20 ST Z GR5	10
14	WBR-25RX734-20	WSH, FL TYPB-REG 0.25, ST SQC	20
15	SHF-250C750-25	SCR, HHCS, FT 0.25-20 X 0.75, ST SQC G5	10

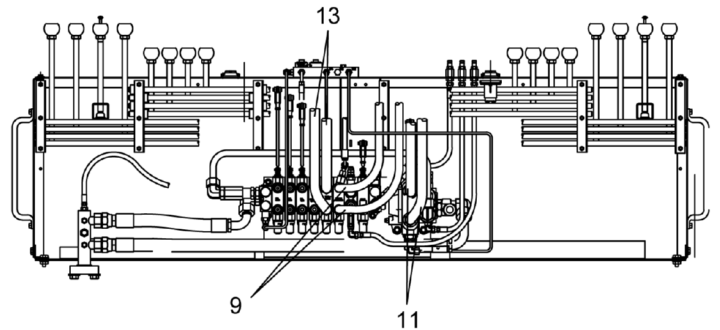
* ITEM NOT SHOWN IN ILLUSTRATION

WHEN ORDERING PARTS, SPECIFY MODEL NUMBER, SERIAL NUMBER AND DESCRIPTION OF PARTS REQUIRED

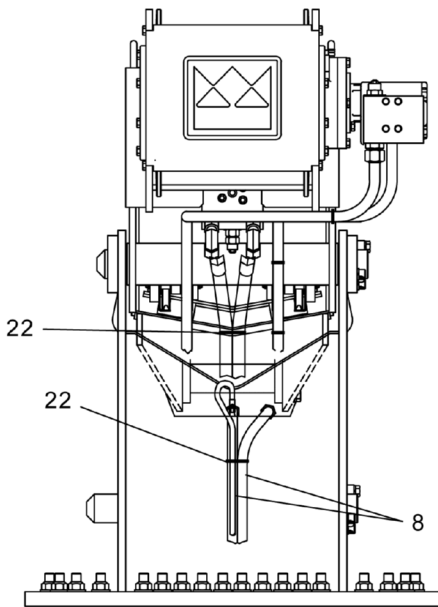
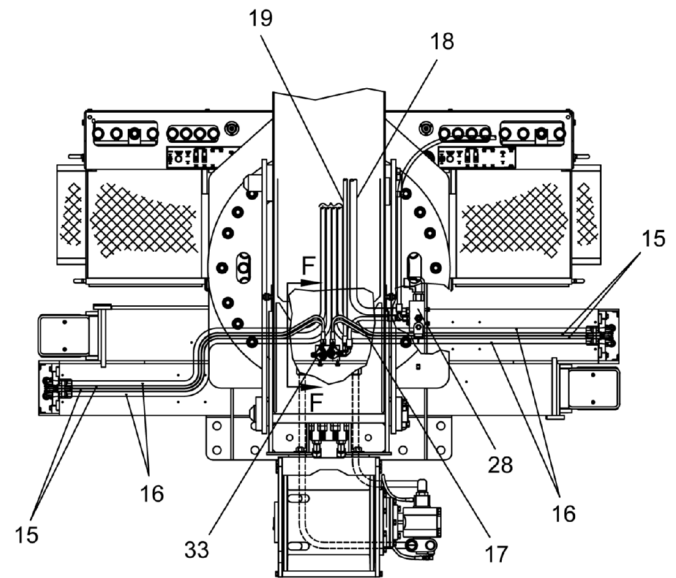
	<h2>PLATFORM INSTALLATION</h2>	DATE: Revised 05-2018	CHAPTER 1
		MODEL: 35-100	
		PAGE: 131	



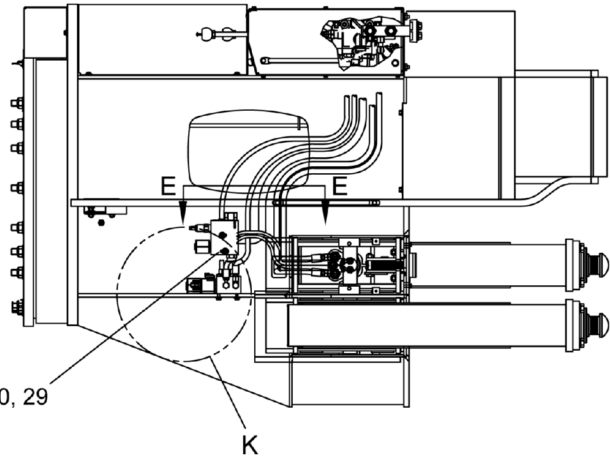
CYLINDER CONNECTIONS



SECTION A - A



32, 31, 30, 29



WHEN ORDERING PARTS, SPECIFY MODEL NUMBER, SERIAL NUMBER AND DESCRIPTION OF PARTS REQUIRED



HYD PIPING, MAINFRAME (CONTINUOUS ROTATION)

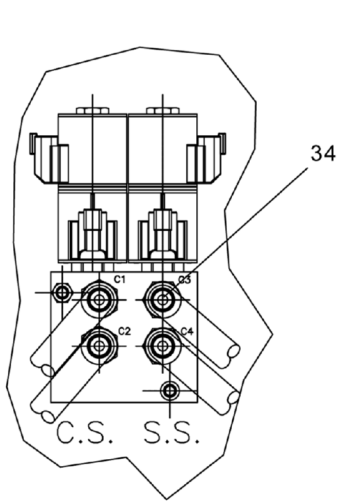
DATE: Revised 05-2018

MODEL: 35-100

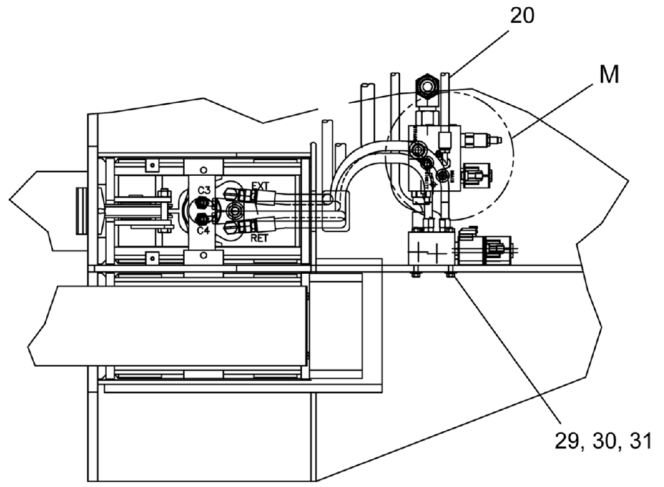
PAGE: 132

CHAPTER

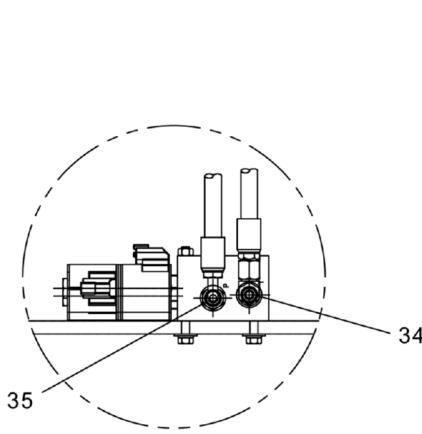
1



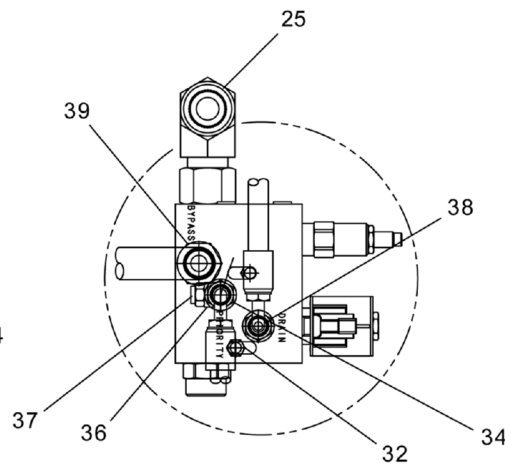
SECTION E - E



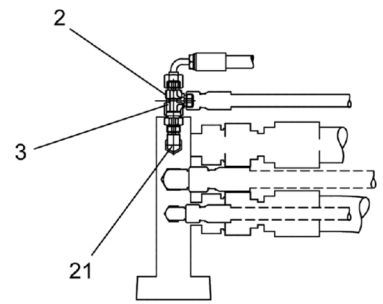
SECTION F - F



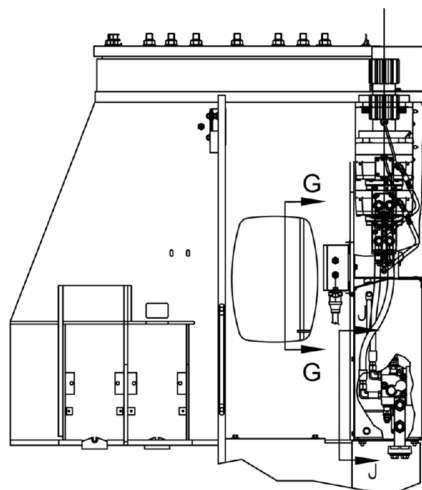
DETAIL K



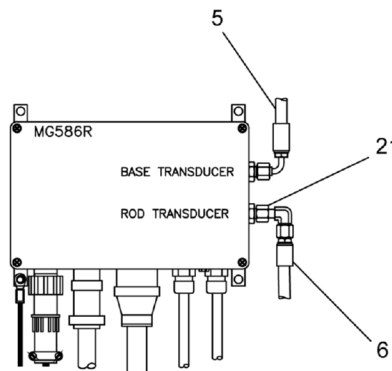
DETAIL M



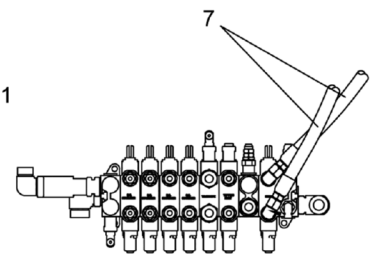
RETURN MANIFOLD



VIEW G - G
GREER BOX



VIEW J - J



WHEN ORDERING PARTS, SPECIFY MODEL NUMBER, SERIAL NUMBER AND DESCRIPTION OF PARTS REQUIRED



HYD PIPING, MAINFRAME (CONTINUOUS ROTATION)

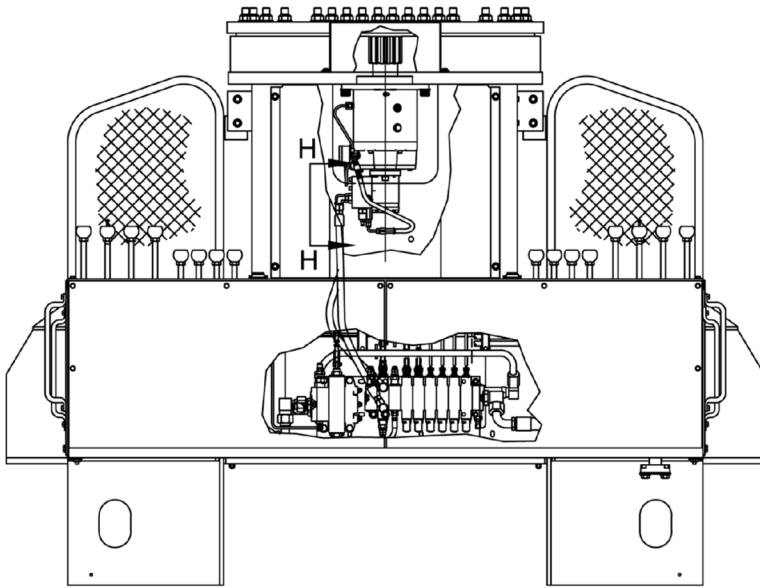
DATE: Revised 05-2018

MODEL: 35-100

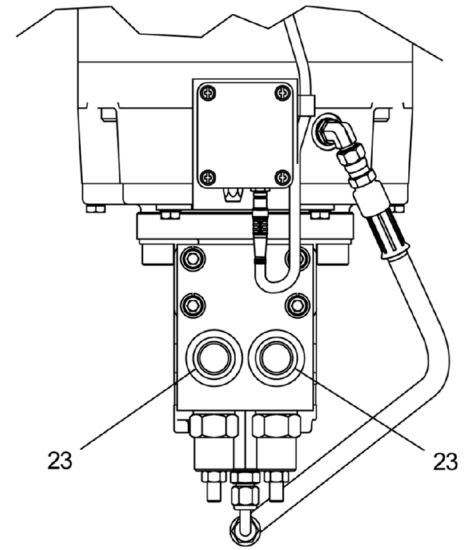
PAGE: 133

CHAPTER

1



SWING CONNECTIONS



VIEW H - H

WHEN ORDERING PARTS, SPECIFY MODEL NUMBER, SERIAL NUMBER AND DESCRIPTION OF PARTS REQUIRED



**HYD PIPING, MAINFRAME
(CONTINUOUS ROTATION)**

DATE: Revised 05-2018

MODEL: 35-100

PAGE: 134

CHAPTER

1

<u>REF</u>	<u>PART NO.</u>	<u>DESCRIPTION</u>	<u>QTY</u>
	500-01796 (Rev. G)	<i>HYD Piping, Mainframe Continuous Rotation</i>	
1	503-92030-3	Hose Kit, M/F ASSY 7000 (Includes Items 4 thru 20)	1
2	519-20004	Cap, #4 OFS	1
3	516-82003	Tee, SW Run F#4 OFS X 2 X M#4 OFS	1
4	502-11159	Hose ASSY 1/4" I.D. (Greer Box-Base) (Upper)	1
5	502-10974	Hose, Greer Box-Base(Lower) & Center Post Drain	2
6	502-10916	Hose ASSY 1/4" I.D. (Greer Box-Valve)	1
7	502-30557	Hose ASSY 1/2" I.D. (Swing Motor CW/CCW)	2
8	502-35026	Hose ASSY 5/8" I.D. (Topping Cylinder Up/Down) (Upper)	2
9	502-30628	Hose ASSY 5/8" I.D. (Topping Cylinder Up/Down) (Lower)	2
10	502-40789	Hose ASSY 3/4" I.D. (Winch Motor Rise/Lower) (Upper)	2
11	502-40787	Hose ASSY 3/4" I.D. (Winch Motor Rise/Lower) (Lower)	2
12	502-35074	Hose ASSY 5/8" I.D. (Boom CYL. Extend/Retract) (Upper)	2
13	502-35073	Hose ASSY 5/8" I.D. (Boom CYL. Extend/Retract) (Lower)	2
14	502-11262	Hose ASSY 1/4" I.D. (CTR Post Drain)	1
15	502-30700	Hose ASSY 3/8" I.D. (Main Outrigger Beam)	4
16	502-30699	Hose ASSY 1/2" I.D. (Main Outrigger Jack)	4
17	502-20864	Hose ASSY 3/8" I.D. (Priority Valve/ Main Valve)	1
18	502-40828	Hose ASSY 3/4" I.D. (Priority Valve/ Main Valve)	1
19	502-30635	Hose ASSY 1/2" I.D. (Outrigger Valve)	1
20	502-11225	Hose ASSY 1/4" I.D. (Priority Valve Drain)	1
21	514-62002	Elbow, 90° S.N. #4 OFS	2
22	400-15088	Cable Tie, Nylon 11 15/32	6
23	513-50027	Adapter, MOFS-8/MORB-10	2
24	517-30010	Plug #4 NPT Socket HD	1
25	514-57011	Elbow, Parker Seal-LOK	1
26	514-52003	Elbow 90 S.N. #4 OFS	1
27	516-82005	Tee, Branch -4 ORB X -4 OFS	1
28	559-00251	ASSY, Valve Prior Flow Control	1
29	S01-312CC50-25	SCR, HHCS 0.3125-18 X 3.50, ST SQC G5	4
30	WBR-31RX875-20	WSH, FL TYPB-REG 0.3125, ST SQC	4
31	W07-312X000-20	WSH, LCK, MED SPLT 0.3125, ST SQC	4
32	N04-312C000-2A	Nut, HEX 0.3125-18, ST SQC GA	4
33	559-00252	Valve, Control AUX. O/R (see page 136)	1
34	513-40014	STR CONN, M#6 OFS X M#6 ORB	6
35	513-50026	CONN. Parker #8 -6	1
36	516-84003	Tee, 2X M#4 OFS X M#4 ORB	1
37	519-40007	Cap. Parker #6	1
38	513-20019	STR CONN M#4 OFS X M#6 ORB	1
39	513-60008	CONN. Parker #10	1

WHEN ORDERING PARTS, SPECIFY MODEL NUMBER, SERIAL NUMBER AND DESCRIPTION OF PARTS REQUIRED



HYD PIPING, MAINFRAME (CONTINUOUS ROTATION)

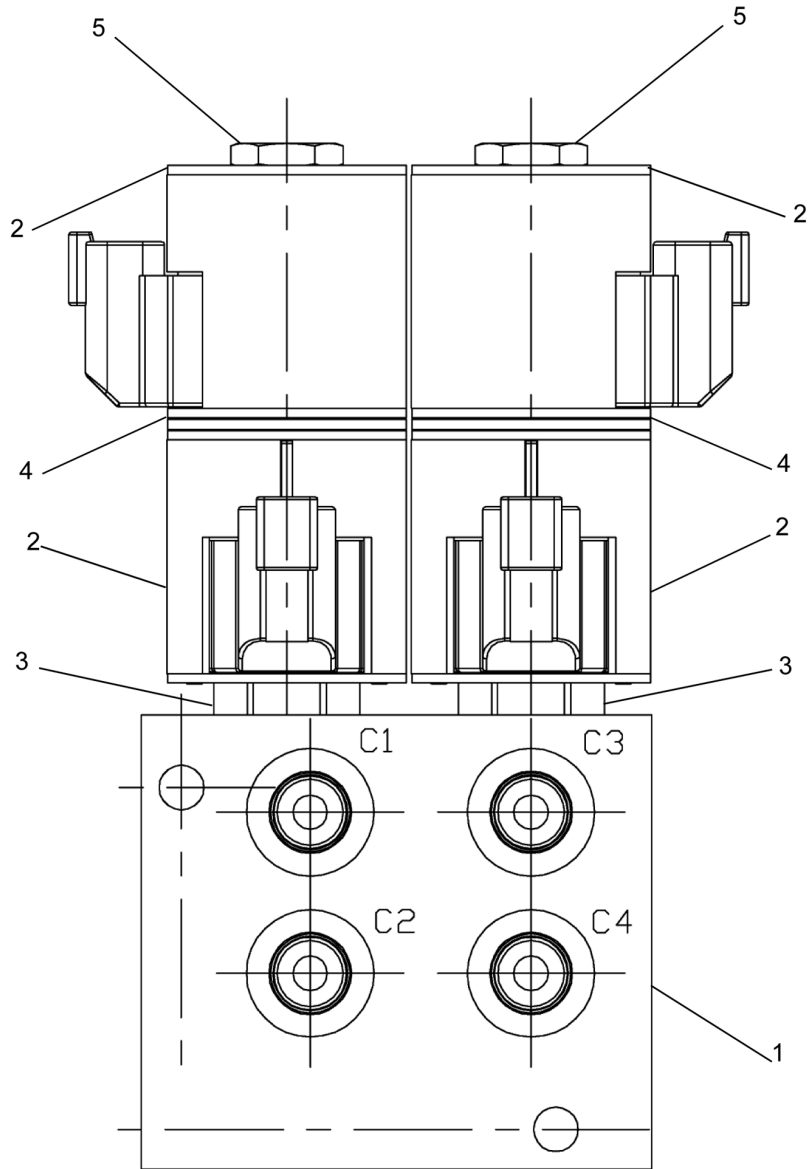
DATE: Revised 05-2018

MODEL: 35-100

PAGE: 135

CHAPTER

1



<u>REF</u>	<u>PART NO.</u>	<u>DESCRIPTION</u>	<u>QTY</u>
	559-00252 (Rev. 00)	<i>Valve, Control AUX. O/R</i>	
1	Block	Block	1
2	219142	Coil	4
3	223071	Cartridge	2
4	223072	Spacer	2
5	223073	Nut	2

WHEN ORDERING PARTS, SPECIFY MODEL NUMBER, SERIAL NUMBER AND DESCRIPTION OF PARTS REQUIRED



AUXILIARY VALVE ASSEMBLY

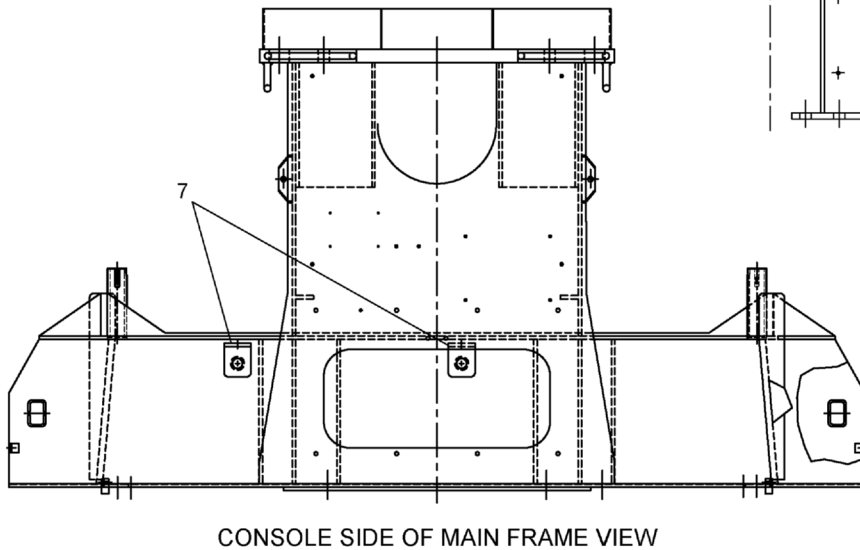
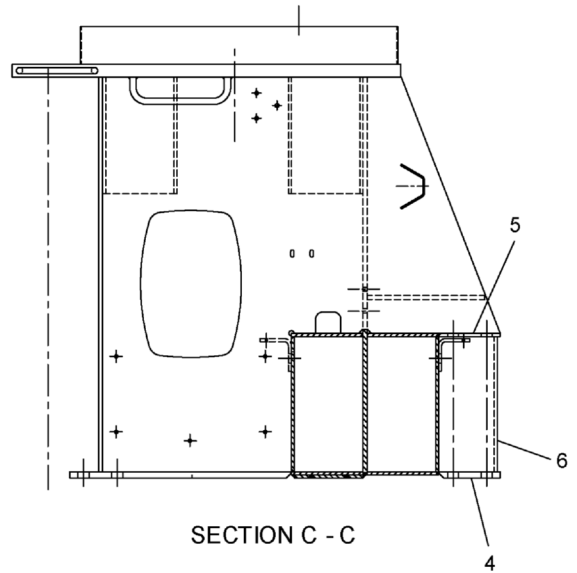
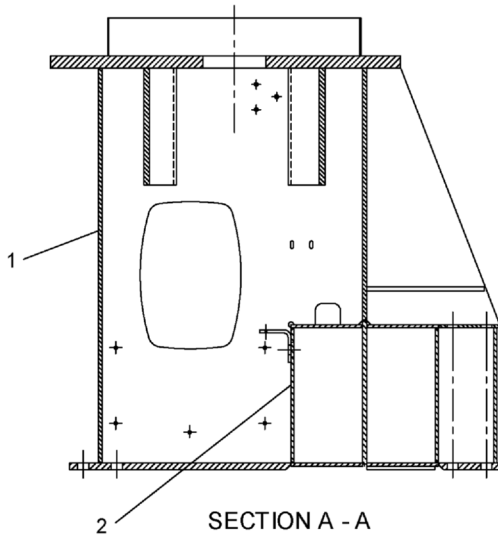
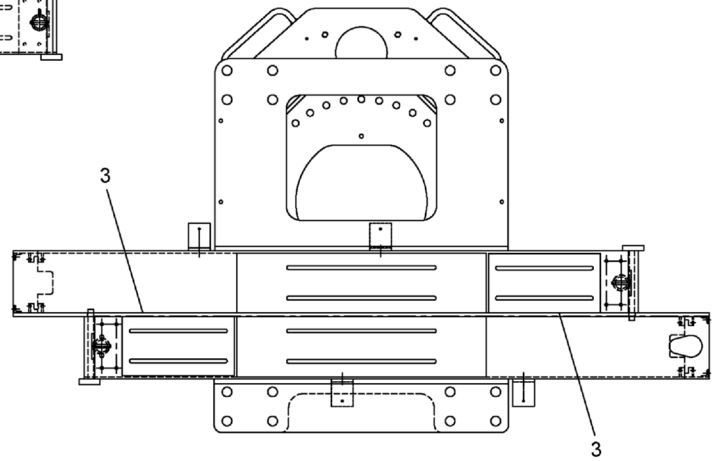
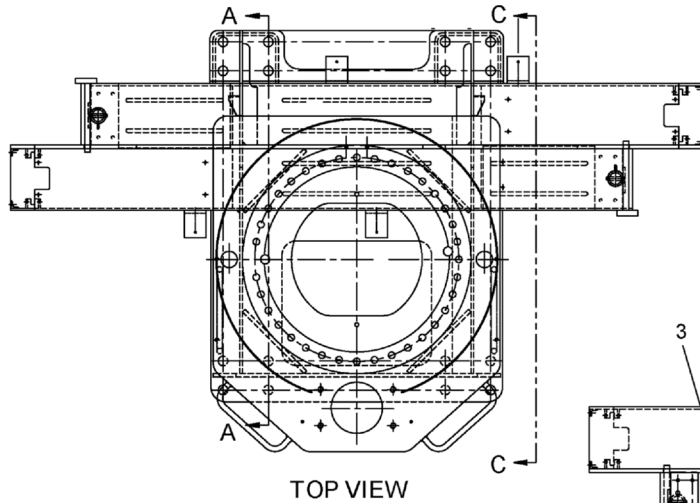
DATE: Revised 11-2011

MODEL: 35-100

PAGE: 136

CHAPTER

1



WHEN ORDERING PARTS, SPECIFY MODEL NUMBER, SERIAL NUMBER AND DESCRIPTION OF PARTS REQUIRED



**MAIN FRAME W/OUTRIGGER
HOUSING (GRAY)**

DATE: Revised 01-2015

MODEL: 35-100

PAGE: 137

CHAPTER

2

<u>REF</u>	<u>PART NO.</u>	<u>DESCRIPTION</u>	<u>QTY</u>
	T121204 (Rev. C)	<i>Main Frame With O/R Housing</i>	
1	701-00742	Mainframe, Weldment/Machining	1
2	T121205	Weldment, Housing O/R	1
3	729-02694	Plate, Doubler Housing O/R	2
4	789-05065	Plate, Mounting Mainframe	1
5	789-05056	Plate, Top Support Mounting	1
6	786-01838	Channel, Support Mounting	2
7	T121482	Bracket Sensor Mount	4

WHEN ORDERING PARTS, SPECIFY MODEL NUMBER, SERIAL NUMBER AND DESCRIPTION OF PARTS REQUIRED



**MAIN FRAME W/OUTRIGGER
HOUSING (GRAY)**

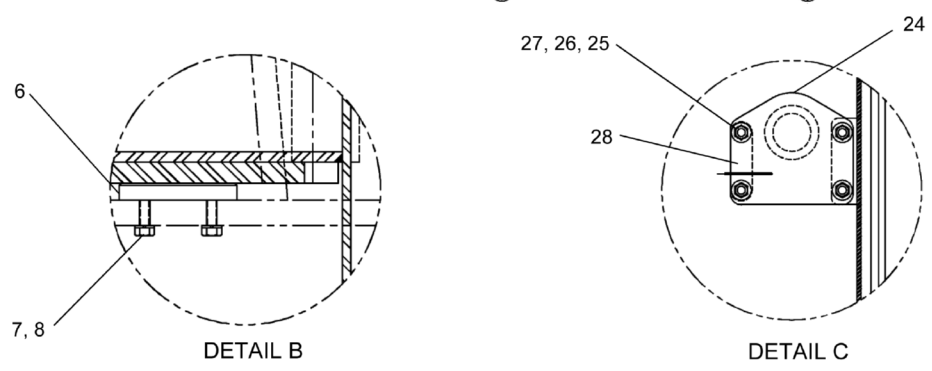
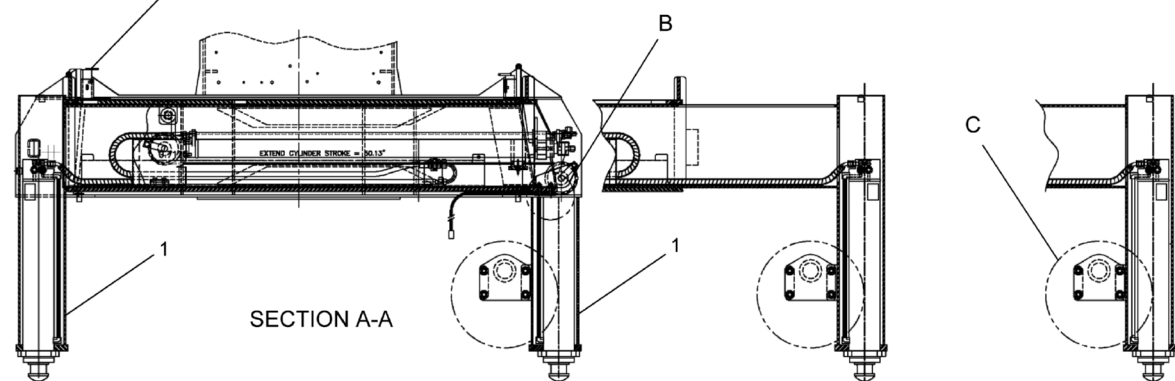
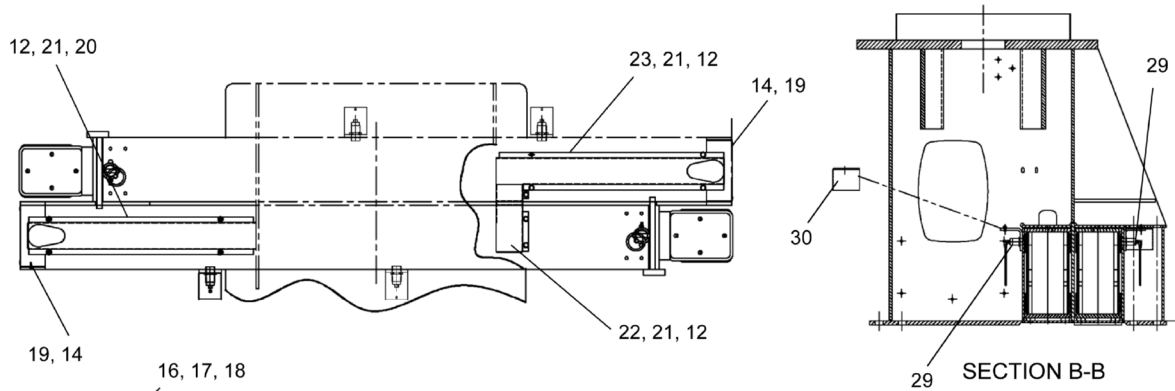
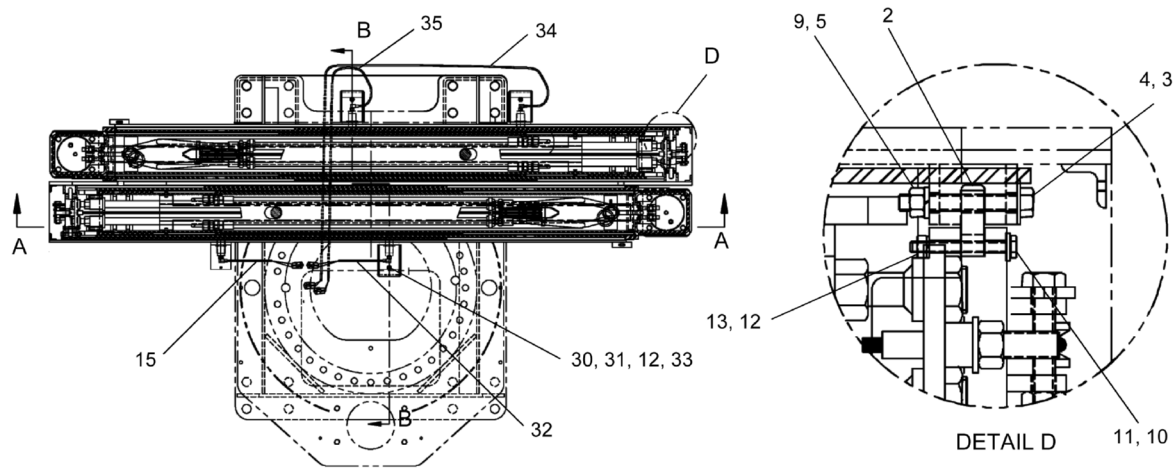
DATE: Revised 01-2015

MODEL: 35-100

PAGE: 138

CHAPTER

2



WHEN ORDERING PARTS, SPECIFY MODEL NUMBER, SERIAL NUMBER AND DESCRIPTION OF PARTS REQUIRED



ASSEMBLY, MAIN OUTRIGGER INSTALLATION (GRAY)

DATE: Revised 06-2016

MODEL: 35-100

PAGE: 139

CHAPTER

1

REF	PART NO.	DESCRIPTION	QTY
	T121203 (Rev. D)	ASSY, Main O/R INSTL (Gray)	
1	T121207	ASSY, Main Outrigger (see page 143)	2
2	789-05525	Shear Plate (Gray)	4
3	S01-375CB75-25	SCR, HHCS, 0.375-16 X 2.75, ST YZ GR5	4
4	WAW-37WX000-20	WSH, FL TYP A-NRW 0.375, ST Z	4
5	NYL-375C000-25	Nut, HEX NYL-INS 0.375-16, ST SQC G5	4
6	729-02341	Wear Pad 1.50 X 3.50 PLYS	4
7	S01-312CA25-25	SCR, HHCS, 0.3125-18 X 1.25, ST Z G5	8
8	W07-312X000-20	WSH, LCK, MED SPLT 0.3125, ST SQC	8
9	W07-375X000-20	WSH, LCK, MED SPLT 0.375, ST Z	4
10	SHF-250CB50-25	SCR, HHCS, 0.25-20 X 2.50, ST Z GR5	4
11	WBR-25RX734-20	WSH, FL TYPB-REG 0.25, ST SQC	4
12	W07-250X000-20	WSH, LCK, MED SPLT 0.25 ST Z	18
13	N04-250C000-25	Nut, HEX 025-20 ST Z GR5	4
14	802-01593-P7	End Cap Cover (Gray)	2
15	T122419	Harness, Jumper, S.S. Console Side	1
16	870-40199	Outrigger Pin Zinc Plated	2
17	12219-1	Aircraft cable 1/8" Plastic Cover	48"
18	1222-225	1/8" Cable Sleeve	4
19	SL5-250C500-20	SCR-CR RND MS 0.25-20 X 0.50, ST SQC	4
20	802-01588-P7	Cover, Hydraulic Hose (Gray)	1
21	SHF-250C500-25	SCR, HHCS FT 0.25-20 X 0.50, ST SQC G5	11
22	802-01626-P7	Cover, O/R HYD. Hoses (Gray)	1
23	802-01625-P7	Cover, O/R HYD. Hoses (Gray)	1
24	760-00425-P7	Weldment, Shoe Stow (Gray)	2
25	S01-500CA50-25	SCR, HHCS 0.50-13X1.50 ST Z G5	8
26	WAW-50WX000-20	WSH, FL TYP A-WID 0.50, ST SQC	16
27	NYL-500C000-25	Nut, HEX NYL-INS 0.50-13, ST SQC G5	8
28	789-05456-P7	Plate, Shoe Rotation Stop (Gray)	2
29	T120217	Position Sensor	4
30	T120495	Position Sensor Cover (Gray)	3
31	SHF-250C750-25	SCR, HHCS, FT 0.25-20 X 0.75, ST SQC G5	3
32	T122418	Harness, Jumper, C.S. Console Side	1
33	WAW-25WX000-20	WSH, FL TPYA-WID 0.25 ST YZ	3
34	T122416	Harness, Jumper, S.S. Back Side	1
35	T122417	Harness, Jumper, C.S. Back Side	1

WHEN ORDERING PARTS, SPECIFY MODEL NUMBER, SERIAL NUMBER AND DESCRIPTION OF PARTS REQUIRED



ASSEMBLY, MAIN OUTRIGGER INSTALLATION (GRAY)

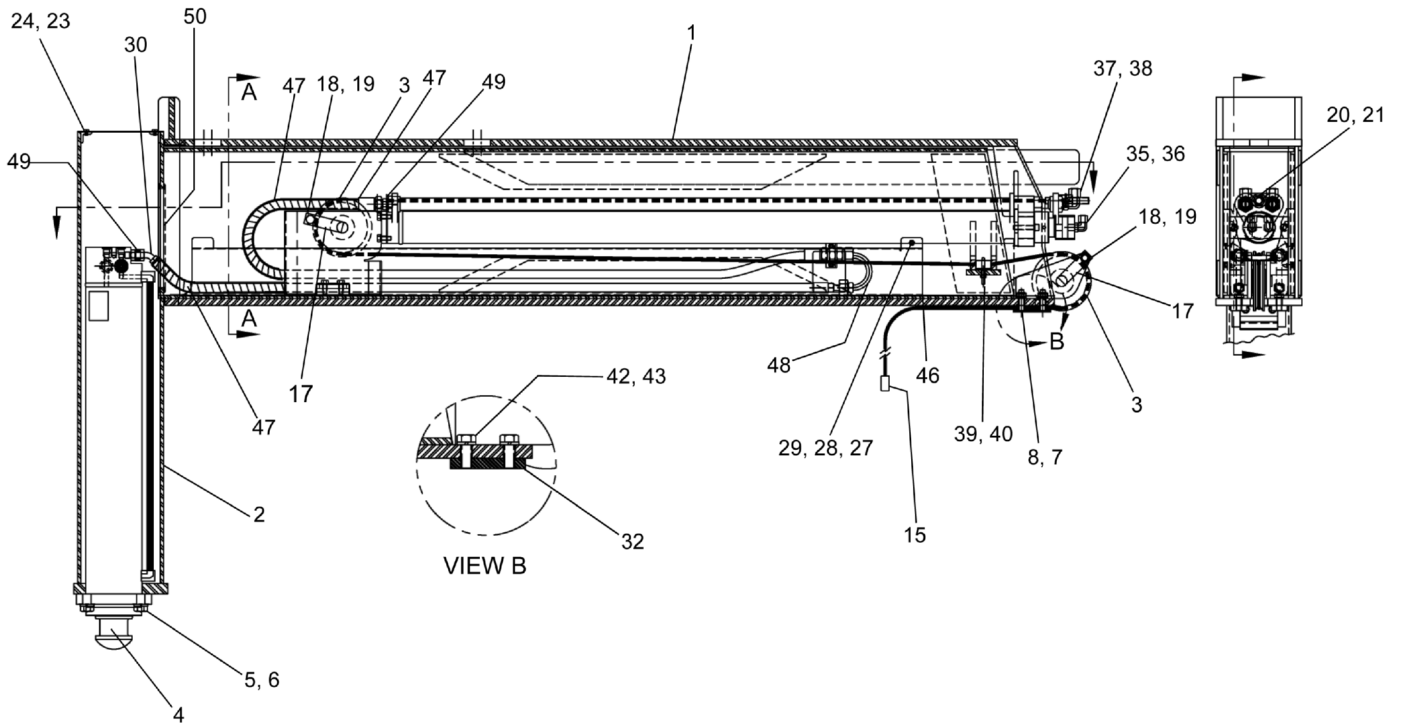
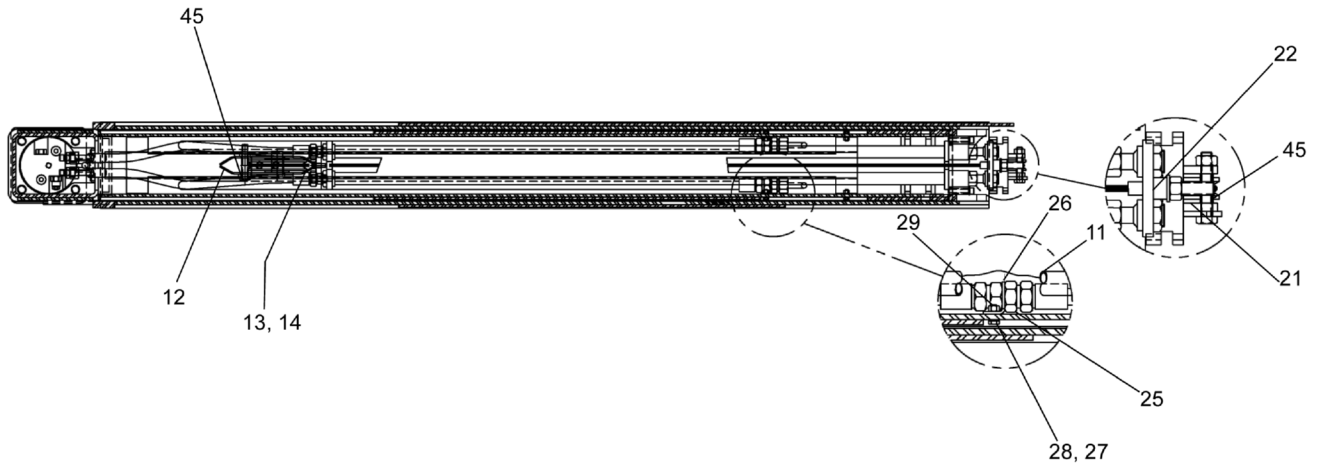
DATE: Revised 06-2016

MODEL: 35-100

PAGE: 140

CHAPTER

1



WHEN ORDERING PARTS, SPECIFY MODEL NUMBER, SERIAL NUMBER AND DESCRIPTION OF PARTS REQUIRED



MAIN OUTRIGGER ASSEMBLY (GRAY)

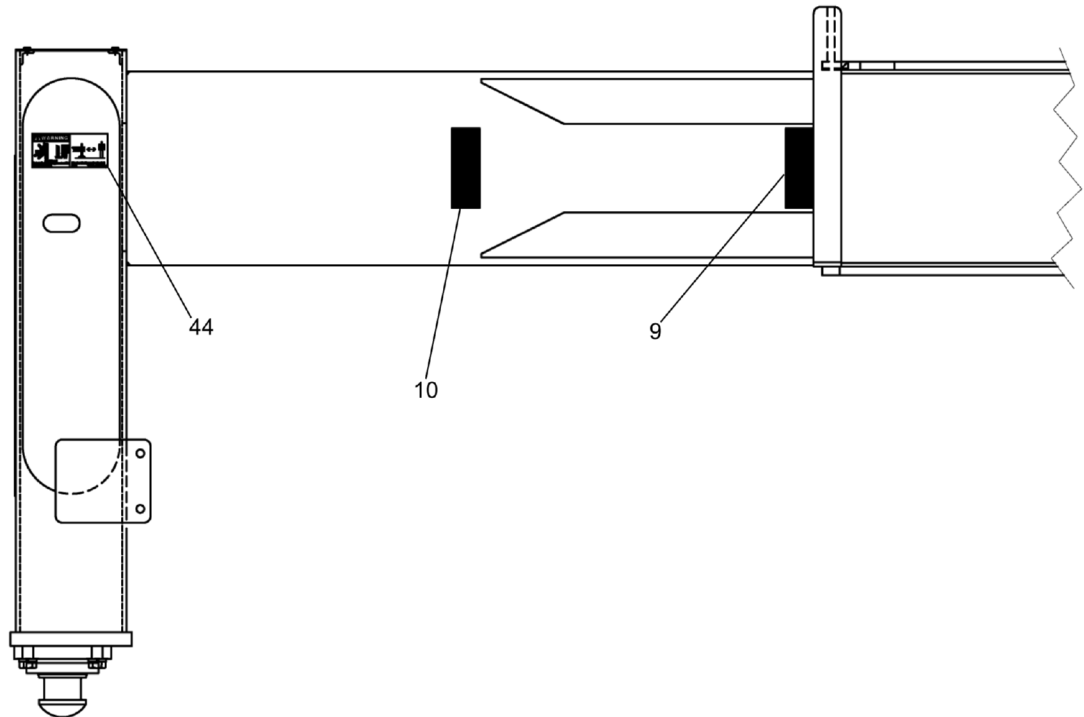
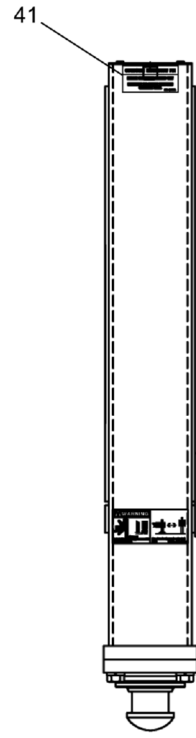
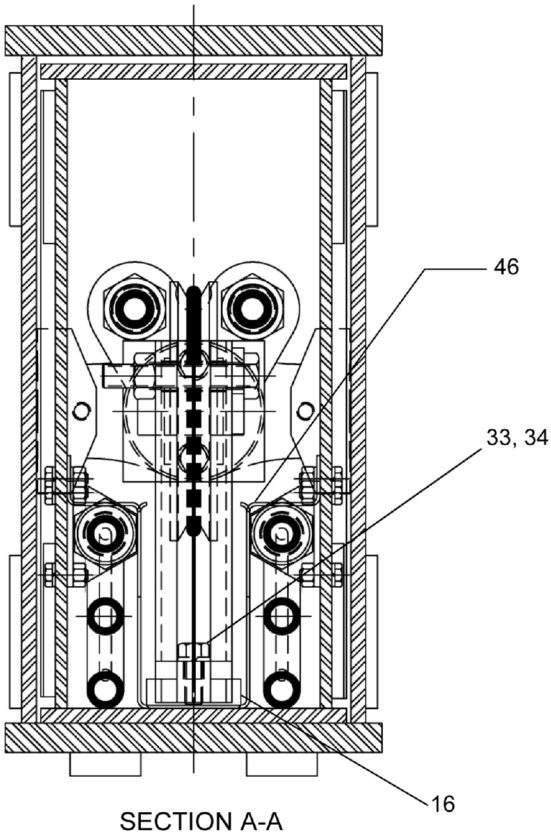
DATE: Revised 11-2011

MODEL: 35-100

PAGE: 141

CHAPTER

1



WHEN ORDERING PARTS, SPECIFY MODEL NUMBER, SERIAL NUMBER AND DESCRIPTION OF PARTS REQUIRED



MAIN OUTRIGGER ASSEMBLY (GRAY)

DATE: Revised 11-2011

MODEL: 35-100

PAGE: 142

CHAPTER

1

REF	PART NO.	DESCRIPTION	QTY
	T121207 (Rev. A)	ASSY, Main Outrigger	
1	T121208	Weldment, Beam 1ST Stage (Gray)	1
2	760-10412-P7	Weldment, Beam 2ND Stage (Gray)	1
3	860-10015	Sheave	2
4	540-50022-P7	Cylinder, Jack (Gray)	1
5	S14-750CB00-H2	SCR, SHCS, 0.75-10 X 2.00, ST Z	4
6	W07-750X000-20	WSH, LCK, MED SPLT 0.75, ST SQC	4
7	789-05147	Plate, Shear	2
8	S14-375CB00-H2	SCR, SHCS, 0.375-16 X 2.00, ST Z	2
9	659-00216	Yellow, O/R Strip 2.0 x 5.75	2
10	659-00215	Decal, White O/R Stripe 2.0 X 5.75 LG	2
11	540-10043	Cylinder, Beam Extend (see page 143)	1
12	760-00376-P7	Weldment, Slide Thombone CYL (Gray)	1
13	SHF-375CA00-25	SCR, HHCS FT 0.375-16 X 1.00, ST SQC G5	2
14	W07-375X000-20	WSH, LCK, MED SPLT 0.375, ST Z	2
15	861-13021	Wire Rope EXT/RET 5/16" O/R	1
16	729-02680	Wear Pad, W/Polysert (000-00765)	1
17	870-20529-P7	Weldment, Pin Cable Retainer (Gray)	2
18	S01-500C000-25	SCR, HHCS, 0.50-13 X 3.00, ST Z GR5	2
19	NTP-500C000-2C	Nut, HEX TPLCK 0.50-13, ST SQC GC	2
20	NYL-625C000-25	Nut, HEX NYL-INS 0.625-11, ST SQC G5	1
21	WAH-62NX000-Y2	WSH, FL HRD A-NRW 0.625 ST YZ	1
22	031-10009	SPCR, 1"X5/8 LG 3/16 THK (000-00077)	1
23	802-01586-P7	Cover, Leg Outrigger (Gray)	1
24	SL5-250C500-20	SCR-CR RND MS 0.25-20 X 0.50, ST SQC	2
25	518-45003	Bulkhead, Union W/Locknut	2
26	785-02055-P7	Angle BRKT, HYD Hose Retainer (Gray)	2
27	SHF-250C750-25	SCR, HHCS, FT 0.25-20 X 0.75, ST SQC G5	6
28	W07-250X000-20	WSH, LCK, MED SPLT 0.25 ST Z	6
29	N04-250C000-25	Nut, HEX 025-20 ST Z GR5	6
30	502-30761	ASSY, Hose VERT O/R CYL	2
31*	502-30698	ASSY, Hose Main Outrigger	2
32	780-00303	Pad, Support 1ST Stage O/R	2
33	S01-312CA00-25	SCR, HHCS, 0.3125-18 X 1.00, ST Z G5	2
34	W07-312X000-20	WSH, LCK, MED SPLT 0.3125, ST SQC	2
35	514-54004	Elbow, 90° #6 OFS X #6 ORB	2
36	519-40007	Cap. Parker #6	2
37	514-55011	Elbow, 90, MOFS-8/MORB-8	2
38	519-50010	Cap, #8 OFS	2
39	NYL-250C000-25	Nut, HEX NYL-INS 0.25-20, ST SQC G5	2
40	220-99062	U-Bolt 1/4 (Fastenal 42001)	1
41	652-00469	Decal, Outrigger Beam Pin	1
42	SHF-500CA25-25	SCR, HHCS FT 0.50-13 X 1.25, ST SQC G5	4
43	W07-500X000-20	WSH, LCK, MED SPLT 0.50, ST SQC	4
44	12400-1514	Decal, O/R Crush Hazard	3
45	032-60005	Tube, SPCR Sheave SUP (000-00039)	2
46	789-05404-P7	Hose Shield (Gray)	1
47	400-03071	Plastic ABRASION Spiral Sleeve	4
48	510-50422	Tube ASSY, O/R VERT Supply	2
49	513-50023	CONN #8 ORB To #8 OFS RS Only	4

* ITEM NOT SHOWN IN ILLUSTRATION

WHEN ORDERING PARTS, SPECIFY MODEL NUMBER, SERIAL NUMBER AND DESCRIPTION OF PARTS REQUIRED



MAIN OUTRIGGER ASSEMBLY (GRAY)

DATE: Revised 11-2011

MODEL: 35-100

PAGE: 143

CHAPTER

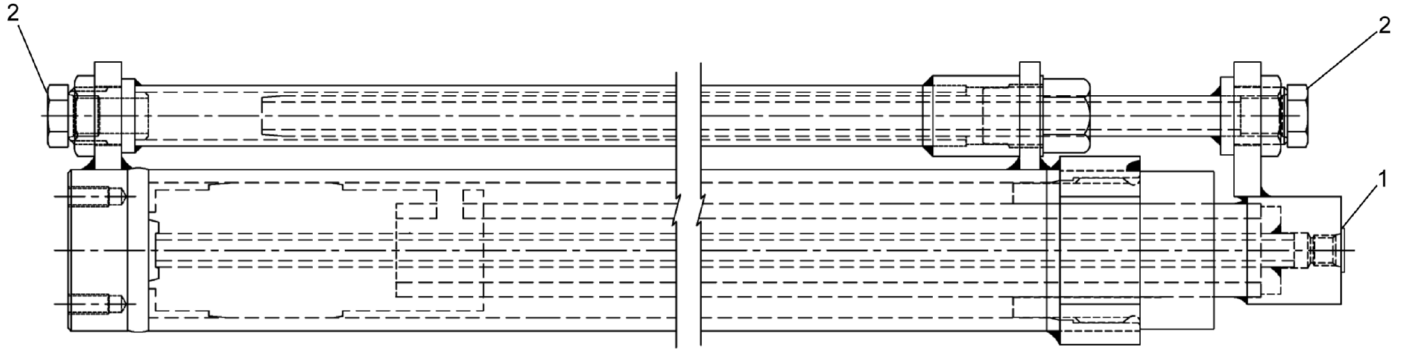
1

<u>REF</u>	<u>PART NO.</u>	<u>DESCRIPTION</u>	<u>QTY</u>
	T121207 (Rev. A)	ASSY, Main Outrigger	
50	209-00174	Seal Trim (106 Inches)	1.66

* ITEM NOT SHOWN IN ILLUSTRATION

WHEN ORDERING PARTS, SPECIFY MODEL NUMBER, SERIAL NUMBER AND DESCRIPTION OF PARTS REQUIRED

 <small>BY CUSTOM TRUCK SOURCE</small>	MAIN OUTRIGGER ASSEMBLY (GRAY)	DATE: Revised 11-2011	CHAPTER 1
		MODEL: 35-100	
		PAGE: 144	



<u>REF</u>	<u>PART NO.</u>	<u>DESCRIPTION</u>	<u>QTY</u>
	540-10043 (Rev. E)	Cylinder, Beam Extend (Red)	
1	517-30011	Plug, SH #6 (9/16-18 UNF)	2
2	517-30001	Plug HEX Head 1/2 (A6N)	4

WHEN ORDERING PARTS, SPECIFY MODEL NUMBER, SERIAL NUMBER AND DESCRIPTION OF PARTS REQUIRED



CYLINDER MAIN OUTRIGGER

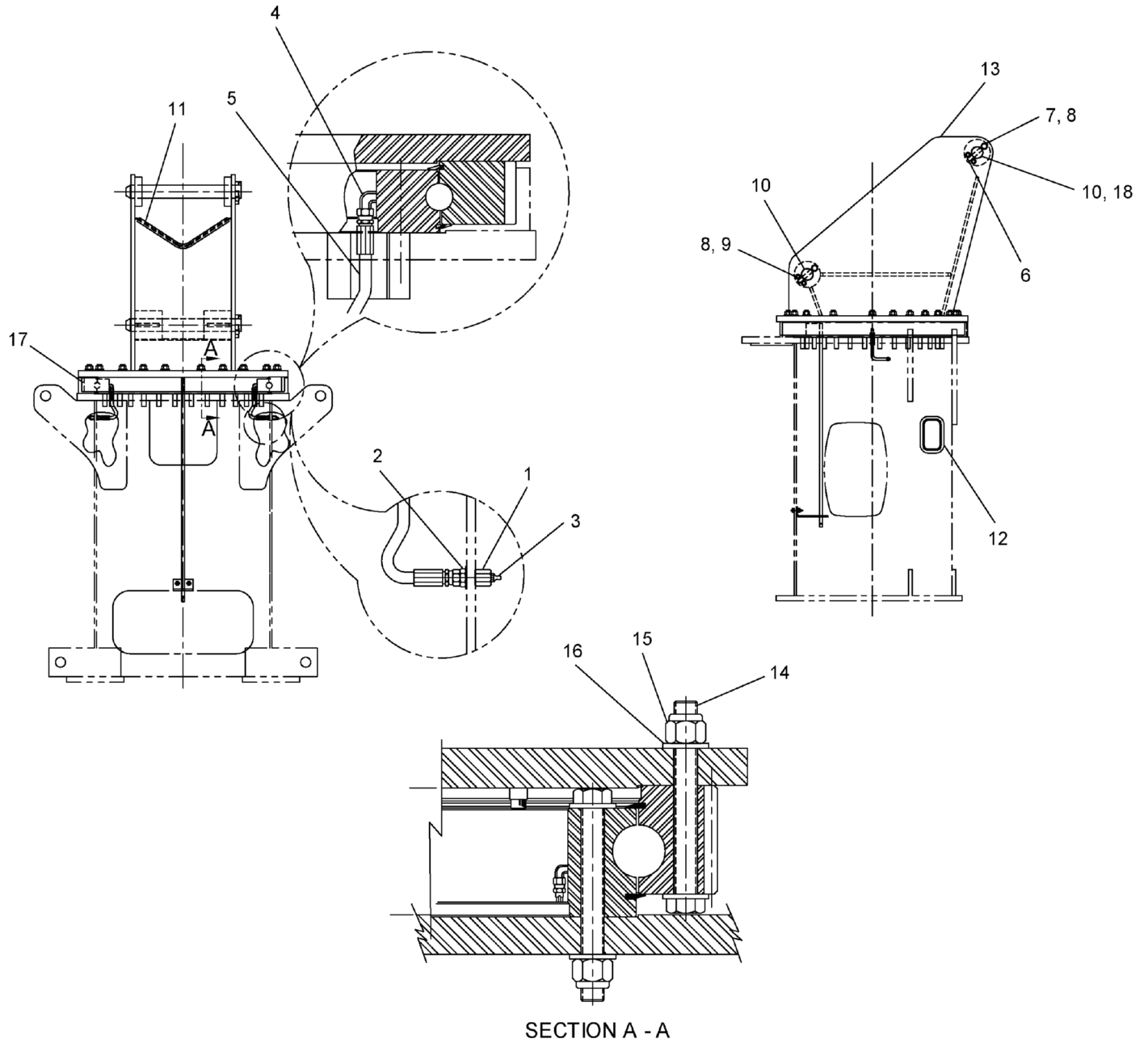
DATE: Revised 09-2011

MODEL: 35-100

PAGE: 145

CHAPTER

1



WHEN ORDERING PARTS, SPECIFY MODEL NUMBER, SERIAL NUMBER AND DESCRIPTION OF PARTS REQUIRED



TURRET INSTALLATION CONTINUOUS ROTATION

DATE: Revised 10-2017

MODEL: 35-100

PAGE: 146

CHAPTER

1

<u>REF</u>	<u>PART NO.</u>	<u>DESCRIPTION</u>	<u>QTY</u>
	710-00275-8 (Rev. G)	<i>Turret Installation Group</i>	
1	518-20001	Bulkhead CONN 1/8 FPT-4 JIC	2
2	511-21001	Locknut (-4)	2
3	501-03002	Zerk -1/8 NPT	2
4	514-02002	Elbow 90° 1/4 Tube X 1/8 NPT	2
5	502-00191	Hose ASSY-Swing BRG Lube	2
6	224-26005	Pin, Rod End 5/8 DIA X 4 1/4 LG (2-754)	2
7	SHF-625CA50-25	SCR, HHCS FT 0.625-11 X 1.50, ST SQC G5	2
8	W07-625X000-20	WSH, LCK, MED SPLT 0.625, ST SQC	6
9	S14-625C750-H2	WSH, LCK, MED SPLT 0.625, ST SQC	4
10	870-90030	Pin ø2.75 X 26.06 LG (3-852)	2
11	209-00802	Trim Lock 3/4" (BLK)	2FT
12	209-00470	Trim Edging - 1/2" Black	3FT
13	712-00274	Turrent	1
14	S01-875CG50-Y8	SCR, HHCS 0.875-9 X 7.50, ST YZ G8	69
15	N04-875C000-Y8	Nut, HEX 0.875-9, ST YZ GR8	69
16	WAH-87NX000-Y2	WSH, LF HRD TYPA-NRW 0.875, ST YZ	138
17	716-00035	Rotation Bearing	1
18	787-00767	Spacer Shim 2 3/4 X #14 Guage	2

WHEN ORDERING PARTS, SPECIFY MODEL NUMBER, SERIAL NUMBER AND DESCRIPTION OF PARTS REQUIRED



TURRET INSTALLATION CONTINUOUS ROTATION

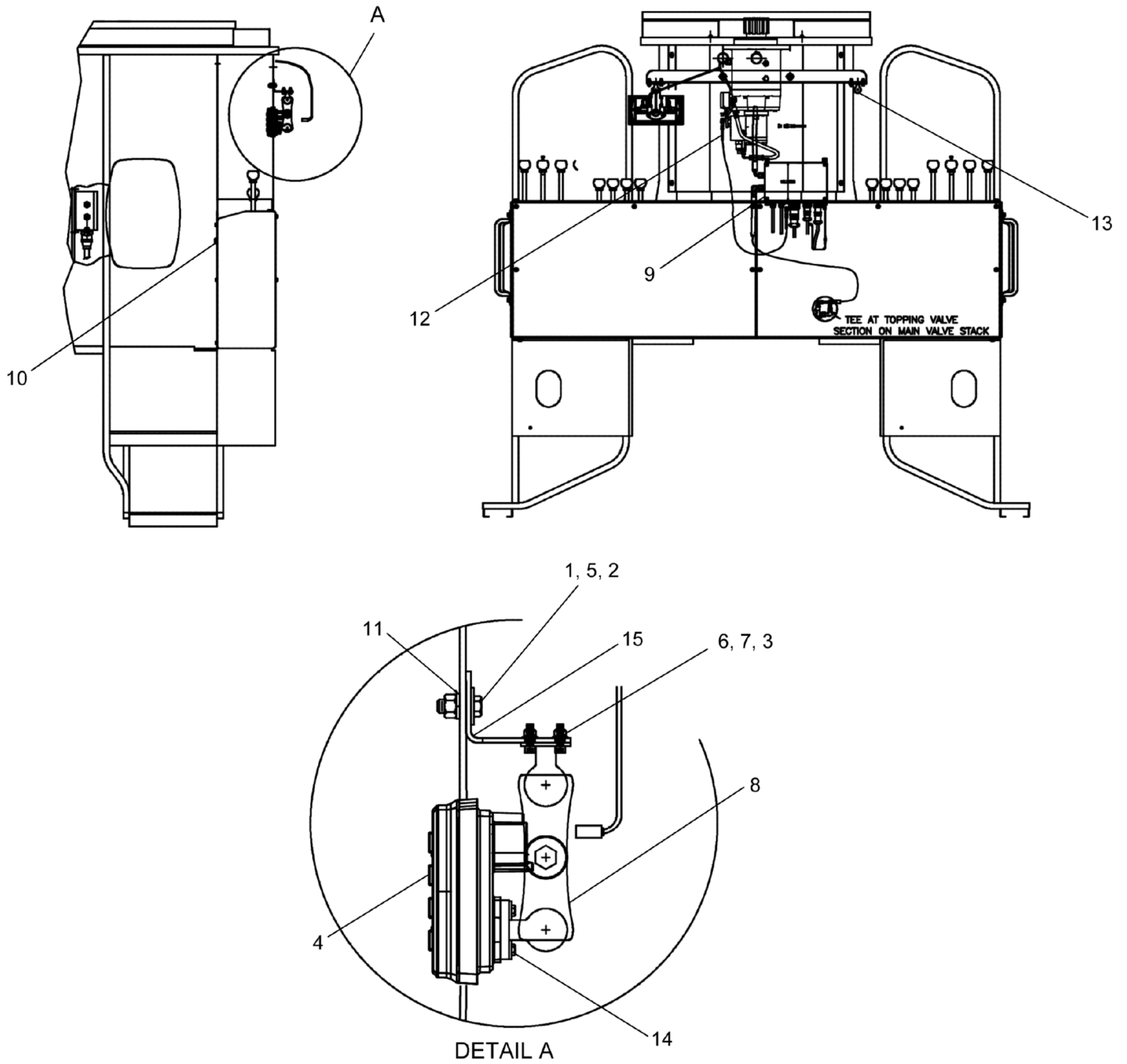
DATE: Revised 10-2017

MODEL: 35-100

PAGE: 147

CHAPTER

1



WHEN ORDERING PARTS, SPECIFY MODEL NUMBER, SERIAL NUMBER AND DESCRIPTION OF PARTS REQUIRED



NON-BOOM LMI PARTS BT MACHINES (GRAY)

DATE: Revised 06-2016

MODEL: 35-100

PAGE: 148

CHAPTER

1

<u>REF</u>	<u>PART NO.</u>	<u>DESCRIPTION</u>	<u>QTY</u>
	T126641 (Rev. D)	<i>Non-Boom LMI Parts (Gray)</i>	
1	N04-375C000-2A	Nut, HEX 0.375-16, ST SQC GA	2
2	WBR-37RXA00-20	WSH, FL TYPB-REG 0.375, ST SQC	2
3	WAR-187X000-22	WSH, FL TYPA-REG 0.187, ST Z	6
4	35-100-VGA Disp.	Greer Insite Display (see page 150)	1
5	SHF-375CA00-25	SCR, HHCS FT 0.375-16 X 1.00, ST SQC G5	2
6	SL5-190C750-20	SCR, CREC RND MS10-24X.75, ST Z	6
7	NYL-190C000-22	Nut, HEX, NYL-INS 10-24, ST Z GR2	6
8	T119215	Ram Mount	1
9	35-100-Comp Ctrl	Greer COMP Control (see page 151)	1
10	450-0006	Alarm	1
11	W07-375X000-20	WSH, LCK, MED SPLT 0.375, ST Z	2
12	400-16139	WAD Cable 32" LG (Greer)	1
13	T127257	Ram Ball Mount	1
14	SL5-164C500-20	SCR, CR RND MS 8-32X0.500, STZ	2
15	T127386	Angle, Display Mounting (Gray)	1

WHEN ORDERING PARTS, SPECIFY MODEL NUMBER, SERIAL NUMBER AND DESCRIPTION OF PARTS REQUIRED



NON-BOOM LMI PARTS BT MACHINES (GRAY)

DATE: Revised 06-2016

MODEL: 35-100

PAGE: 149

CHAPTER

1



REF	PART NO.	DESCRIPTION	QTY
		35-100-VGA Disp. (Rev. 00) <i>Greer Insight Display</i>	
1	T117745	Display, Greer Insight	1

WHEN ORDERING PARTS, SPECIFY MODEL NUMBER, SERIAL NUMBER AND DESCRIPTION OF PARTS REQUIRED



DISPLAY, GREER INSIGHT

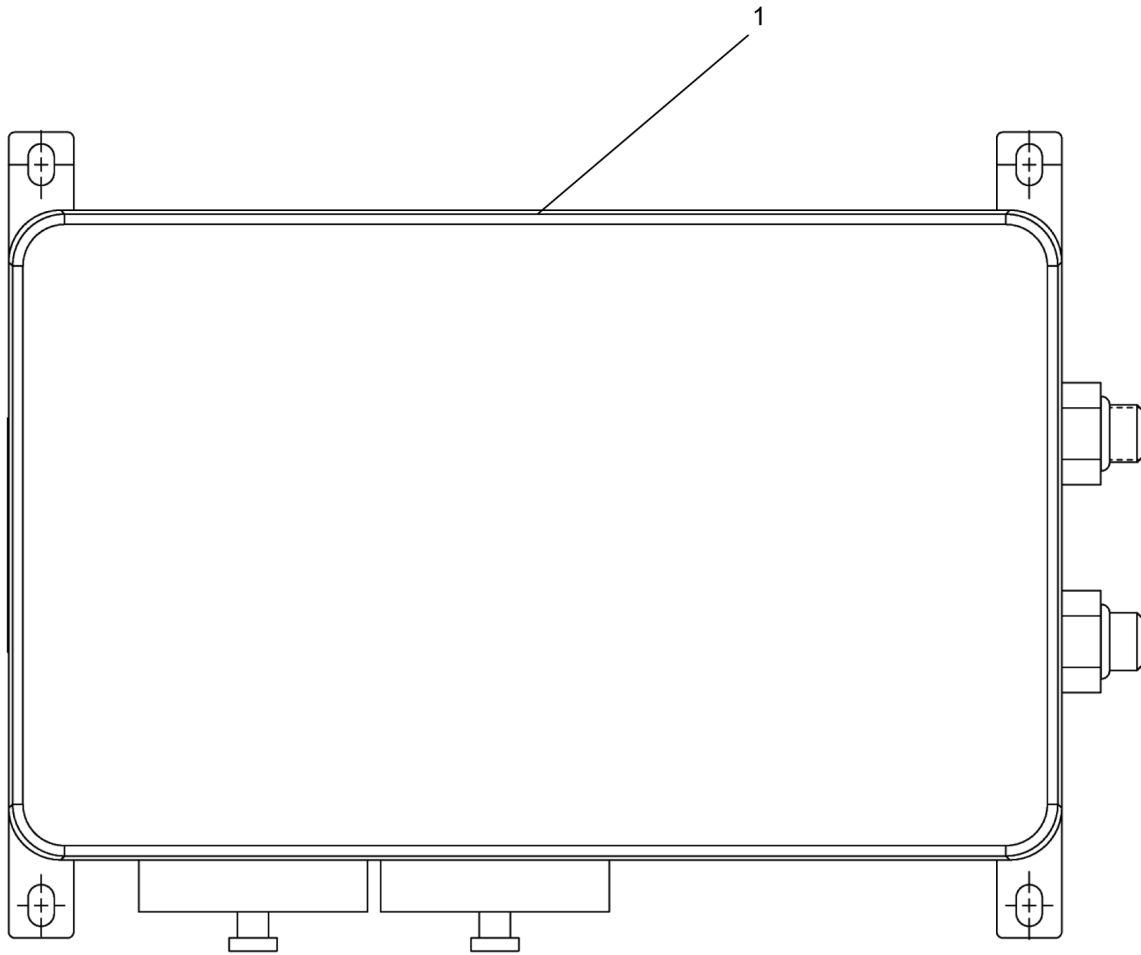
DATE: Released 08-2013

MODEL: 35-100

PAGE: 150

CHAPTER

1



<u>REF</u>	<u>PART NO.</u>	<u>DESCRIPTION</u>	<u>QTY</u>
	35-100-Comp Ctrl (Rev. 00)	Greer COMP Control	
1	T127212	Computer, Greer A450880	1

WHEN ORDERING PARTS, SPECIFY MODEL NUMBER, SERIAL NUMBER AND DESCRIPTION OF PARTS REQUIRED



**COMPUTER, GREER A450880
(BEGINNING W / S.N. # 140735)**

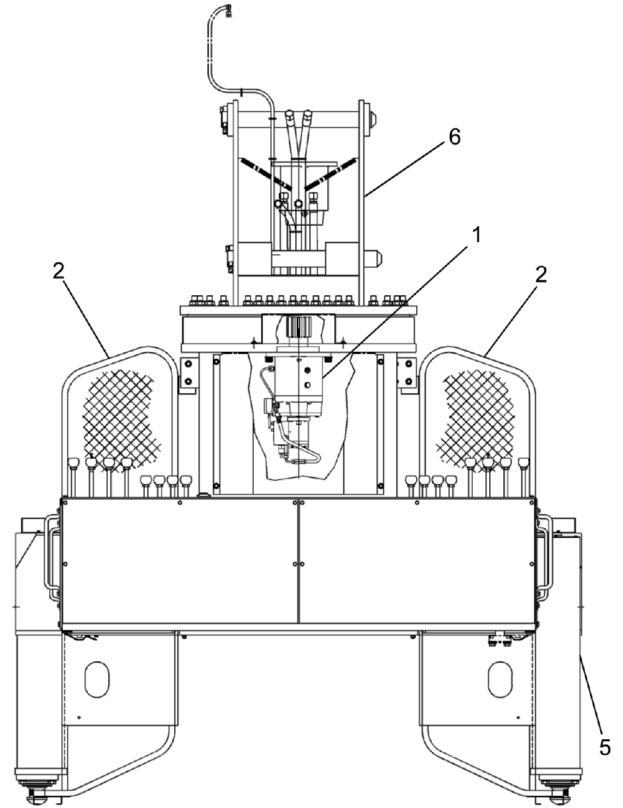
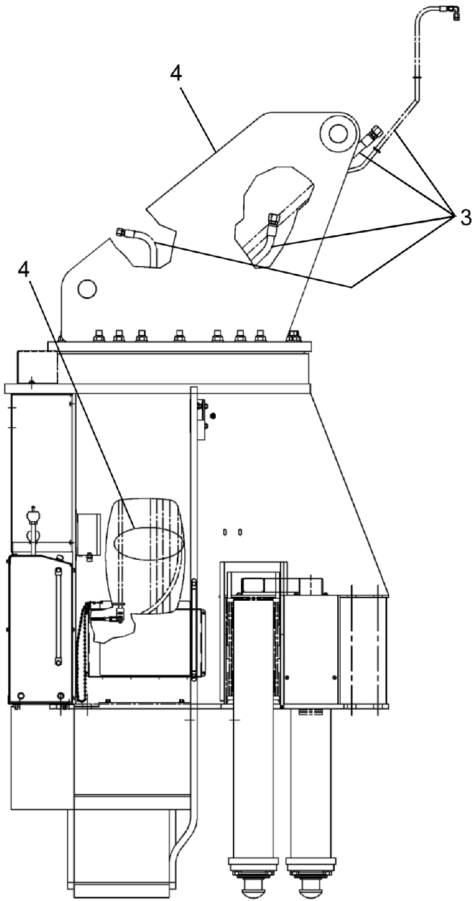
DATE: Revised 12-2013

MODEL: 35-100

PAGE: 151

CHAPTER

1



WHEN ORDERING PARTS, SPECIFY MODEL NUMBER, SERIAL NUMBER AND DESCRIPTION OF PARTS REQUIRED



MAINFRAME ASSEMBLY (GRAY)

DATE: Revised 08-2013

MODEL: 35-100

PAGE: 152

CHAPTER

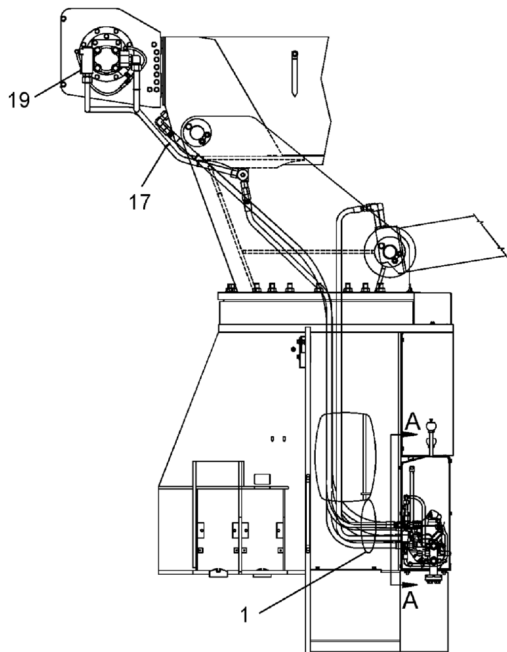
1

<u>REF</u>	<u>PART NO.</u>	<u>DESCRIPTION</u>	<u>QTY</u>
	700-00979-8 (Rev. N)	Mainframe Assembly 35-100 Series Non CONT. Rotation (Gray)	
1	705-00043-3	Swing Installation W/Area DEF 7000 (Gray) (see page 126)	1
2	706-00022-4	Platform Installation (see page 130)	1
3	500-01795	HYD. Piping-Mainframe (see page 157)	1
4	T121204	Main Frame With O/R Housing (see page 138)	1
5	T121203	ASSY, Main O/R INSTL (Gray) (see page 140)	1
6	710-00275-7	Turret Installation Group (see page 159)	1
7*	T126641	Non-Boom LMI Parts (Gray) (see page 149)	1

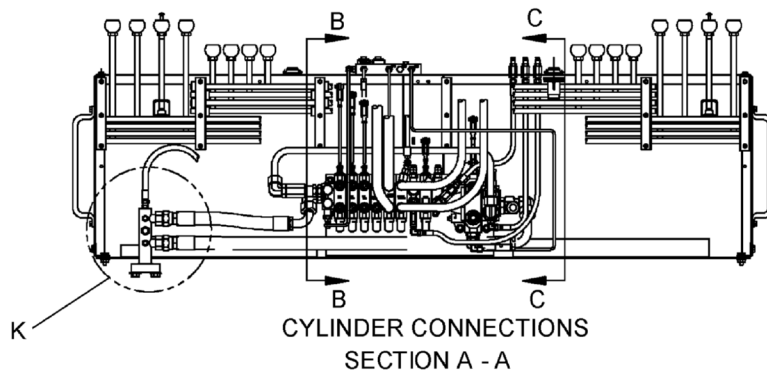
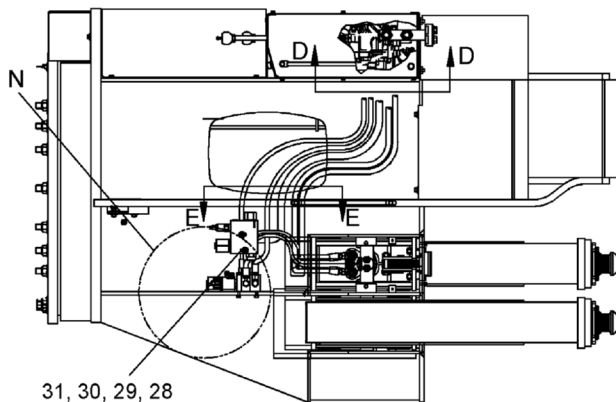
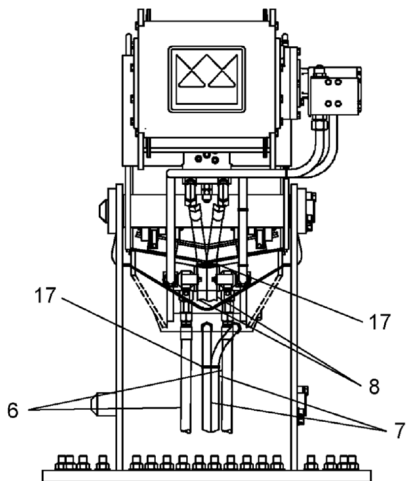
* ITEM NOT SHOWN IN ILLUSTRATION

WHEN ORDERING PARTS, SPECIFY MODEL NUMBER, SERIAL NUMBER AND DESCRIPTION OF PARTS REQUIRED

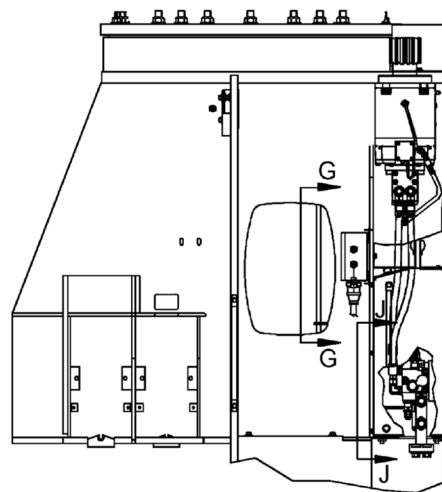
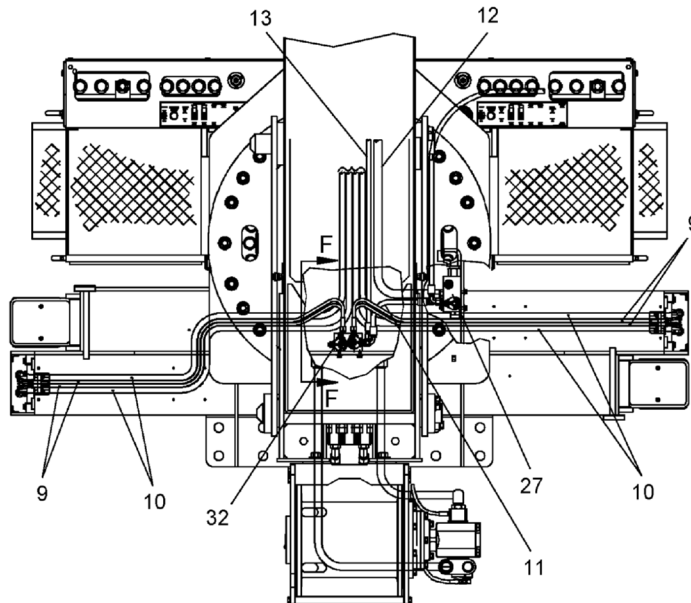
	MAINFRAME ASSEMBLY (GRAY)	DATE: Revised 08-2013	CHAPTER 1
		MODEL: 35-100	
		PAGE: 153	



CYLINDER CONNECTIONS



CYLINDER CONNECTIONS
SECTION A - A



WHEN ORDERING PARTS, SPECIFY MODEL NUMBER, SERIAL NUMBER AND DESCRIPTION OF PARTS REQUIRED



HYD PIPING, MAINFRAME (NON-CONTINUOUS ROTATION)

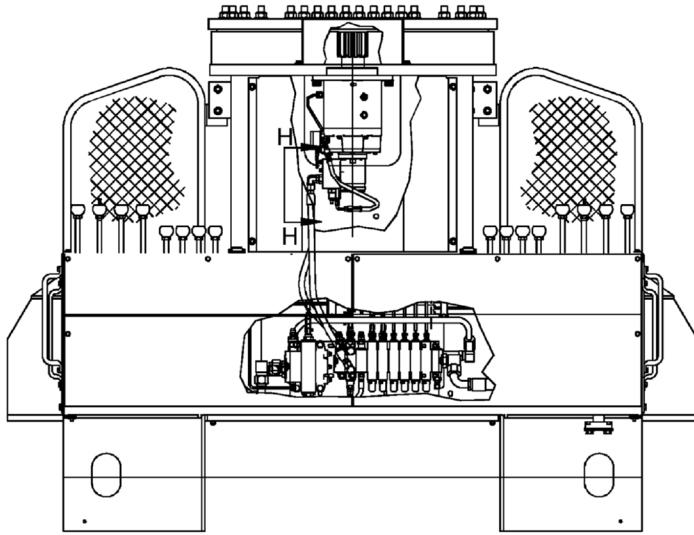
DATE: Revised 10-2017

MODEL: 35-100

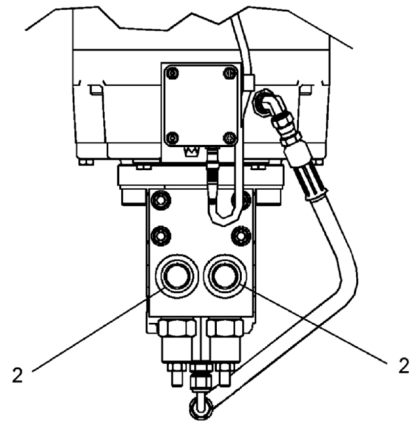
PAGE: 154

CHAPTER

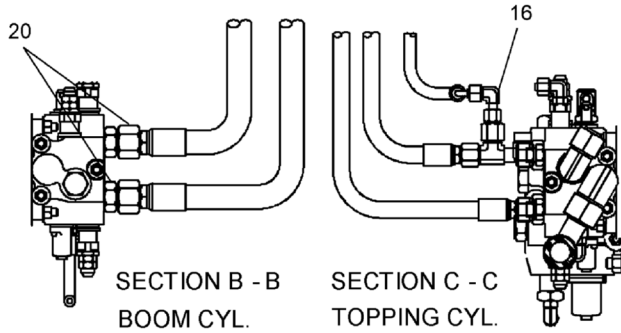
1



SWING CONNECTIONS

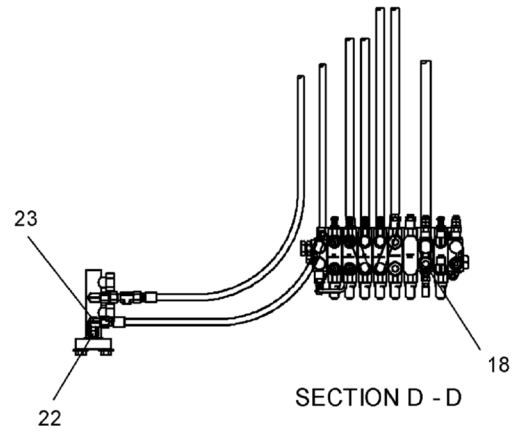


SECTION H - H

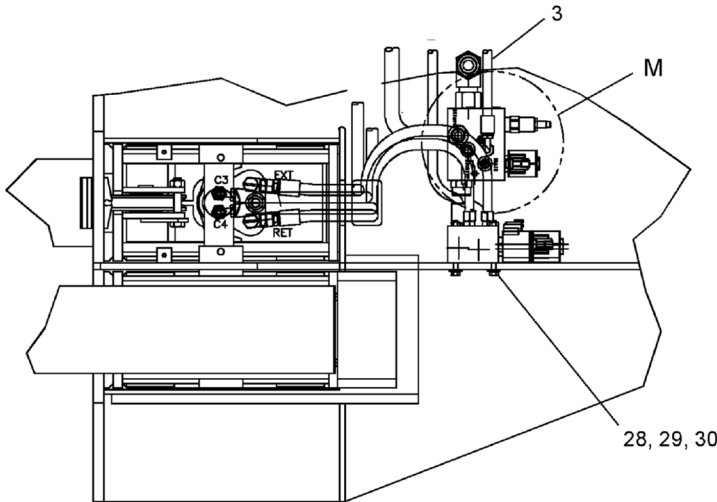


SECTION B - B
BOOM CYL.

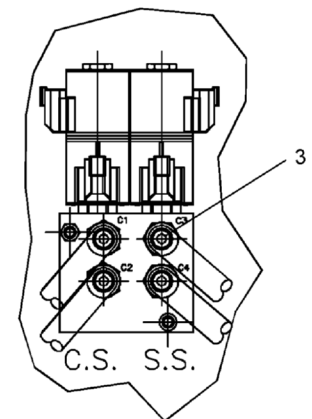
SECTION C - C
TOPPING CYL.



SECTION D - D



SECTION F - F



SECTION E - E

WHEN ORDERING PARTS, SPECIFY MODEL NUMBER, SERIAL NUMBER AND DESCRIPTION OF PARTS REQUIRED



**HYD PIPING, MAINFRAME
(NON-CONTINUOUS ROTATION)**

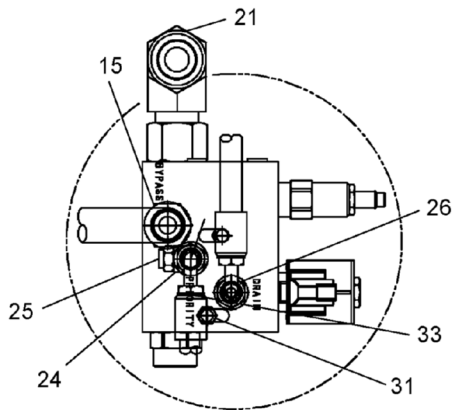
DATE: Revised 10-2017

MODEL: 35-100

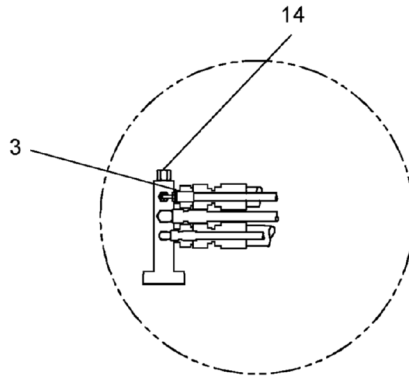
PAGE: 155

CHAPTER

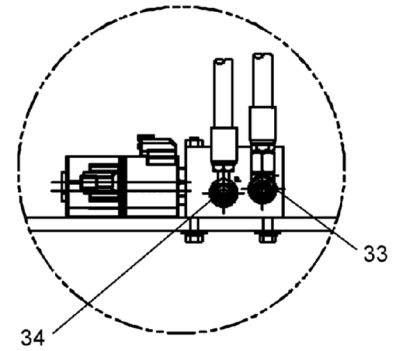
1



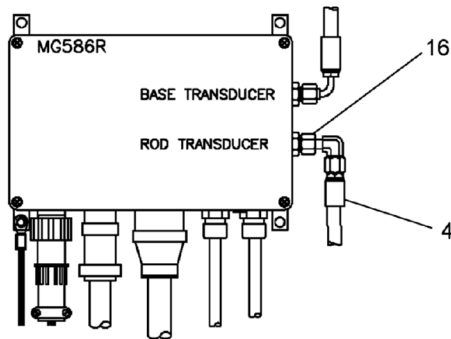
MAIN OUTRIGGER CONNECTIONS
DETAIL M



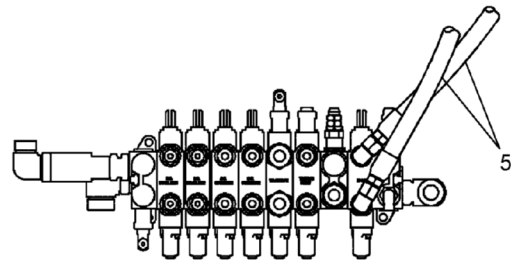
DETAIL K



DETAIL N



SECTION G - G



SECTION J - J

WHEN ORDERING PARTS, SPECIFY MODEL NUMBER, SERIAL NUMBER AND DESCRIPTION OF PARTS REQUIRED



**HYD PIPING, MAINFRAME
(NON-CONTINUOUS ROTATION)**

DATE: Revised 10-2017

MODEL: 35-100

PAGE: 156

CHAPTER

1

<u>REF</u>	<u>PART NO.</u>	<u>DESCRIPTION</u>	<u>QTY</u>
	500-01795 (Rev. J)	<i>HYD. Piping-Mainframe</i>	
1	503-92031-3	Hose Kit, M/F ASSY 7000 (Includes Items 3 thru 13)	1
2	513-50027	Adapter, MOFS-8/MORB-10	2
3	502-11225	Hose ASSY 1/4" I.D. (Priority Valve Drain)	2
4	502-10916	Hose ASSY 1/4" I.D. (Greer Box-Valve)	1
5	502-30557	Hose ASSY 1/2" I.D. (Swing Motor CW/CCW)	2
6	502-35068	Hose, Topping Cylinder Up/Down	2
7	502-40928	Hose, Winch Motor Raise/Lower	2
8	502-35069	Hose, Boom Cylinder. EXT/RET	2
9	502-30700	Hose ASSY 3/8" I.D. (Main Outrigger Beam)	4
10	502-30699	Hose ASSY 1/2" I.D. (Main Outrigger Jack)	4
11	502-20864	Hose ASSY 3/8" I.D. (Priority Valve/ Main Valve)	1
12	502-40828	Hose ASSY 3/4" I.D. (Priority Valve/ Main Valve)	1
13	502-30635	Hose ASSY 1/2" I.D. (Outrigger Valve)	1
14	519-20004	Cap, #4 OFS	1
15	513-60008	CONN. Parker #10	1
16	514-62002	Elbow, 90° S.N. #4 OFS	2
17	400-15088	Cable Tie, Nylon 11 15/32	6
18	513-70022	CONN. Parker #12-10	1
19	517-30010	Plug #4 NPT Socket HD	1
20	513-70030	CONN, #12 OFS X #8 ORB	2
21	514-57011	Elbow, Parker Seal-LOK	1
22	519-50010	Cap, #8 OFS	1
23	514-65004	Elbow, SN #8 OFS	1
24	516-84003	Tee, 2X M#4 OFS X M#4 ORB	1
25	519-40007	Cap. Parker #6	1
26	513-20019	STR CONN M#4 OFS X M#6 ORB	1
27	559-00251	ASSY, Valve Prior Flow Control	1
28	220-01011	HHCS 5/16-18NC x 3.5 Zinc	4
29	222-01001	5/16 Flat Washer	4
30	222-11002	Lockwasher 5/16	4
31	221-01001	HEX Nut 5/16-18	4
32	559-00252	Valve, Control AUX. O/R (see page 136)	1
33	513-40014	STR CONN, M#6 OFS X M#6 ORB	6
34	513-50026	CONN. Parker #8 -6	1

WHEN ORDERING PARTS, SPECIFY MODEL NUMBER, SERIAL NUMBER AND DESCRIPTION OF PARTS REQUIRED



HYD PIPING, MAINFRAME (NON-CONTINUOUS ROTATION)

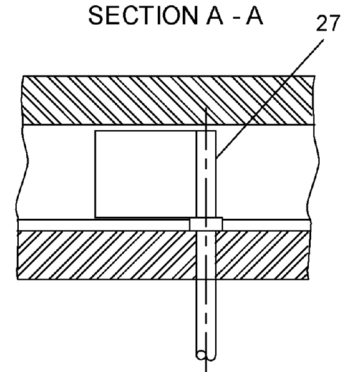
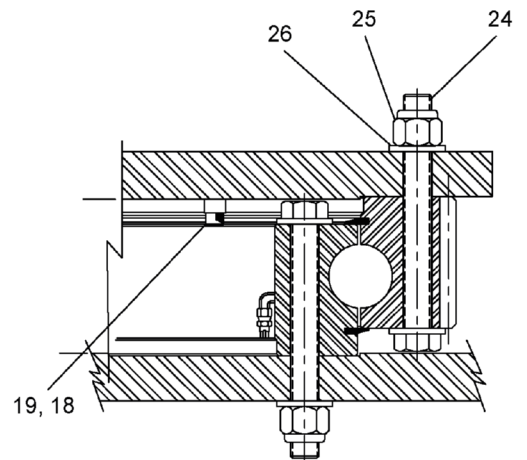
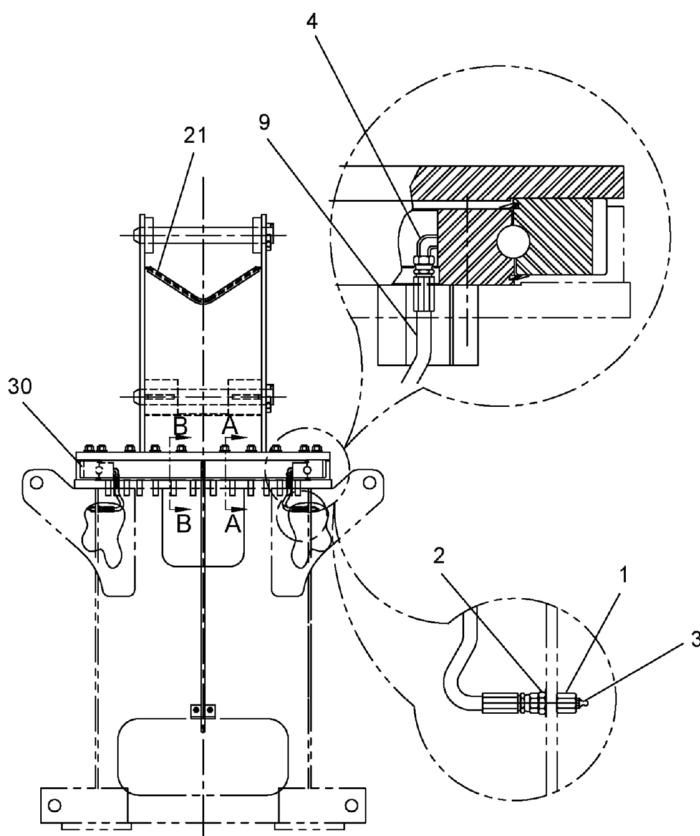
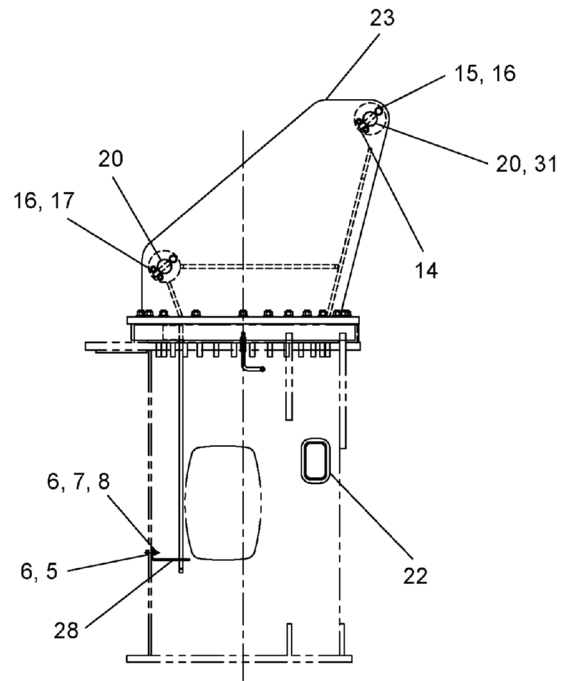
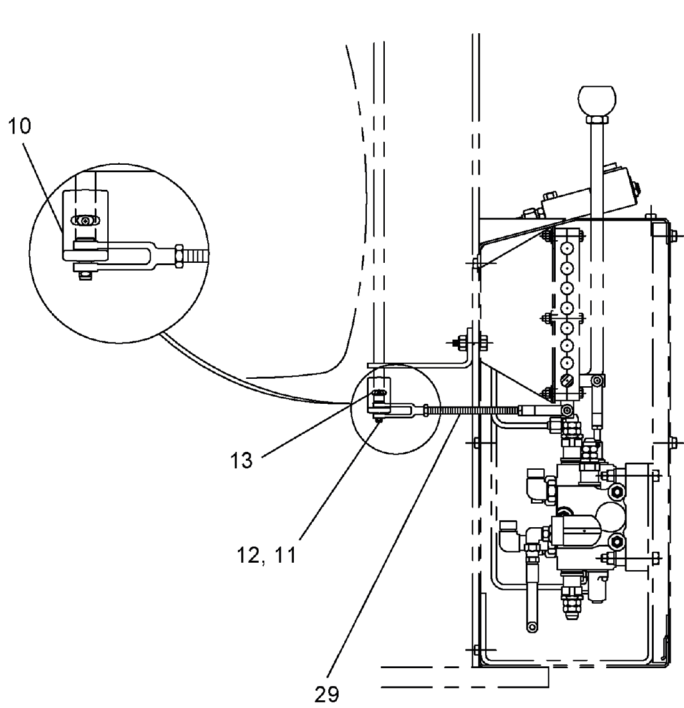
DATE: Revised 10-2017

MODEL: 35-100

PAGE: 157

CHAPTER

1



WHEN ORDERING PARTS, SPECIFY MODEL NUMBER, SERIAL NUMBER AND DESCRIPTION OF PARTS REQUIRED



TURRET INSTALLATION NON-CONTINUOUS ROTATION (GRAY)

DATE: Revised 10-2017

MODEL: 35-100

PAGE: 158

CHAPTER

1

<u>REF</u>	<u>PART NO.</u>	<u>DESCRIPTION</u>	<u>QTY</u>
	710-00275-7 (Rev. G)	<i>Turret Installation Group</i>	
1	518-20001	Bulkhead CONN 1/8 FPT-4 JIC	2
2	511-21001	Locknut (-4)	2
3	501-03002	Zerk -1/8 NPT	2
4	514-02002	Elbow 90° 1/4 Tube X 1/8 NPT	2
5	S01-312CA50-25	SCR, HHCS 0.3125-18 X 1.50, ST Z G5	2
6	WBR-31RX875-20	WSH, FL TYPB-REG 0.3125, ST SQC	4
7	W07-312X000-20	WSH, LCK, MED SPLT 0.3125, ST SQC	2
8	N04-312C000-25	Nut, HEX 0.3125-18 ST SQC G5	2
9	502-00191	Hose ASSY-Swing BRG Lube	2
10	T124167	Swing Stop Weldment	1
11	870-00129	Pin, CLEVIS 5/16 DIA	2
12	P02-125X750-20	Pin, Cotter 0.125 x 0.75, ST Z	2
13	P22-188XA50-GP	Pin, Spring SLTD 0.1875 X 1.50, ST Z	1
14	224-26005	Pin, Rod End 5/8 DIA X 4 1/4 LG (2-754)	2
15	SHF-625CA50-25	SCR, HHCS FT 0.625-11 X 1.50, ST SQC G5	2
16	W07-625X000-20	WSH, LCK, MED SPLT 0.625, ST SQC	6
17	S14-625C750-H2	WSH, LCK, MED SPLT 0.625, ST SQC	4
18	S14-375CA00-H2	SCR, SHCS 0.375-16 X 1.00, ST Z	1
19	011-20014	Spacer 3/8" SCH80 Pipe X .44 LG (3-19)	1
20	870-90030	Pin ø2.75 X 26.06 LG (3-852)	2
21	209-00802	Trim Lock 3/4" (BLK)	2FT
22	209-00470	Trim Edging - 1/2" Black	3FT
23	712-00274	Turrent	1
24	S01-875CG50-Y8	SCR, HHCS 0.875-9 X 7.50, ST YZ G8	69
25	N04-875C000-Y8	Nut, HEX 0.875-9, ST YZ GR8	69
26	WAH-87NX000-Y2	WSH, LF HRD TYPB-NRW 0.875, ST YZ	138
27	719-00439	Swing Stop Rod Weldment	1
28	785-02053	Support Angle - Swing Stop	1
29	806-00246	ASSY - Swing K/O Link (2-1141)	1
30	716-00035	Rotation Bearing	1
31	787-00767	Spacer Shim 2 3/4 X #14 Gauge	2

WHEN ORDERING PARTS, SPECIFY MODEL NUMBER, SERIAL NUMBER AND DESCRIPTION OF PARTS REQUIRED



**TURRET INSTALLATION
NON-CONTINUOUS ROTATION
(GRAY)**

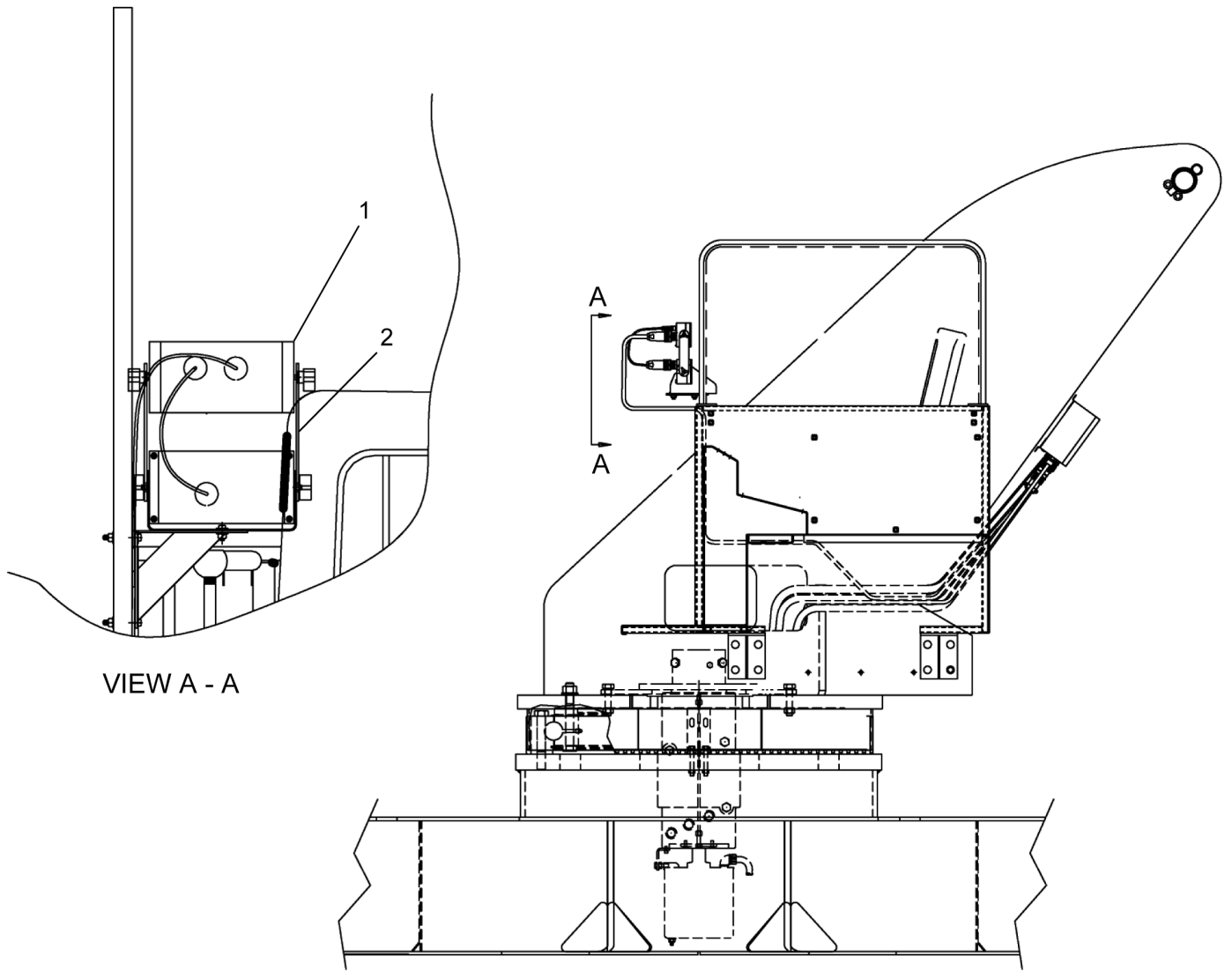
DATE: Revised 10-2017

MODEL: 35-100

PAGE: 159

CHAPTER

1



<u>REF</u>	<u>PART NO.</u>	<u>DESCRIPTION</u>	<u>QTY</u>
	861-90438 (Rev. 00)	<i>Boom Angle Indicator Installation</i>	
1	400-16126	Greer Boom Angle Display 590	1
2	783-03672	Bar, BM ANG INDIC Display MTG	2

WHEN ORDERING PARTS, SPECIFY MODEL NUMBER, SERIAL NUMBER AND DESCRIPTION OF PARTS REQUIRED



BOOM ANGLE INDICATOR INSTALLATION

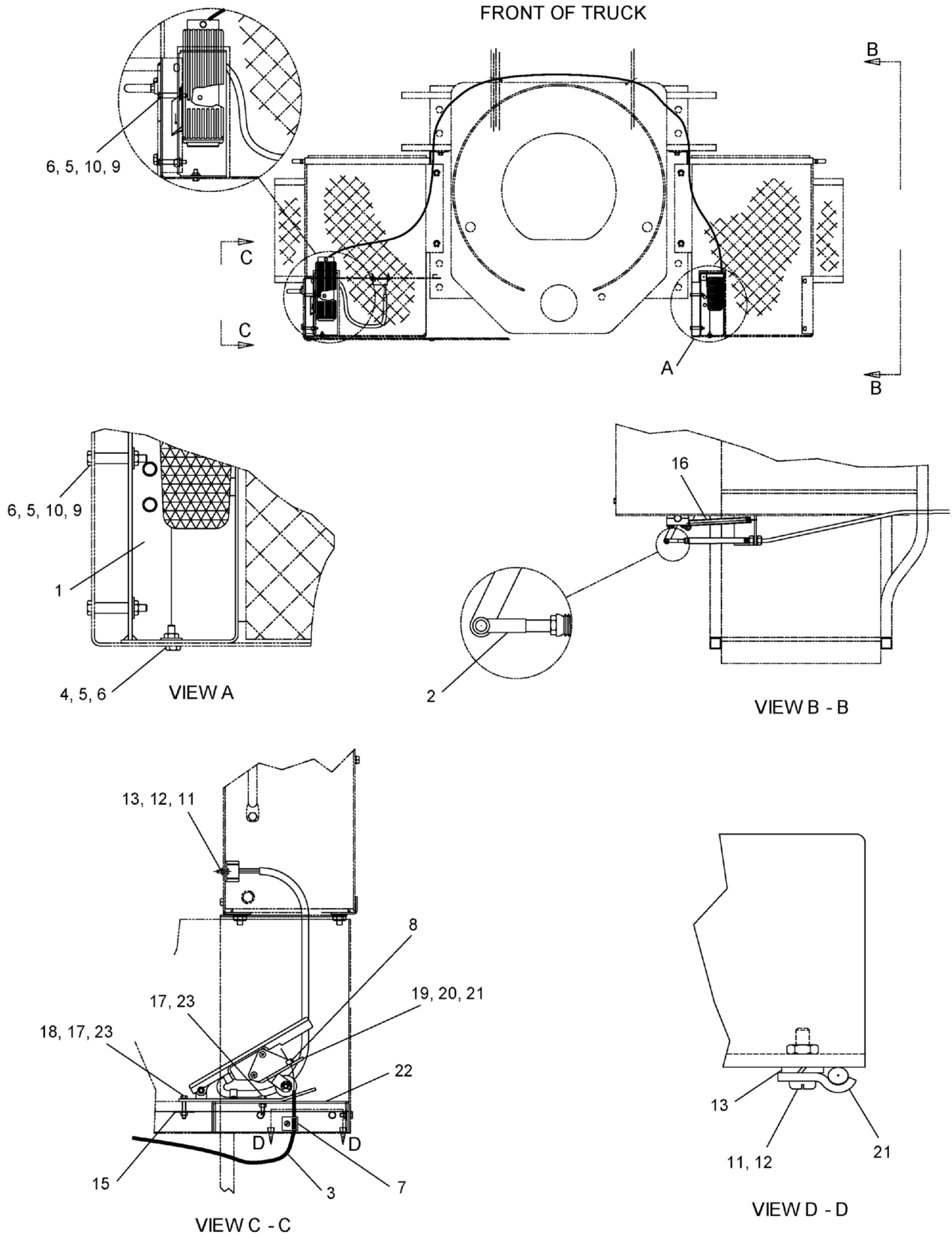
DATE: Revised 11-2011

MODEL: 35-100

PAGE: 160

CHAPTER

1



WHEN ORDERING PARTS, SPECIFY MODEL NUMBER, SERIAL NUMBER AND DESCRIPTION OF PARTS REQUIRED



ELECTRIC THROTTLE INSTALLATION

DATE: Revised 03-2017

MODEL: 35-100

PAGE: 161

CHAPTER

1

<u>REF</u>	<u>PART NO.</u>	<u>DESCRIPTION</u>	<u>QTY</u>
	600-40439 (Rev. A)	<i>Throttle Installation</i>	
1	600-40347	Throttle Sub-Assembly (see page 164)	1
2	809-00390	Clevis Assembly	2
3	600-40329	Cable, Accelerator	1
4	SHF-250C750-25	SCR, HHCS, FT 0.25-20 X 0.75, ST SQC G5	4
5	WBR-25RX734-20	WSH, FL TYPB-REG 0.25, ST SQC	6
6	NTP-250C000-25	Nut, HEX, TPLCK 0.25-20, ST SQC G5	6
7	201-00143	Clamp Throttle Cable	1
8	209-00046	Swivel Stop	1
9	S01-250CB00-25	SCR, HHCS, 0.25-20 X 2.00, ST Z G5	4
10	036-10040	Spacer Tube 1/2 DIA Nylon	4
11	SL4-190F750-22	RHMS 10-32 NF X 0.75 GR2 Zinc	3
12	NYL-190F000-22	Nut, HEX NYL-INS 10-32, ST SQC G2	3
13	222-00007	Flat Washer #10 Zinc PLTD	2
14*	400-25170	Electrical Schematic	REF
15	WFD-250XA50-20	WSH, FNDR 0.25 X 1.50, ST SQC	1
16	202-10062	Throttle Pedal Return Spring	1
17	W07-250X000-20	WSH, LCK, MED SPLT 0.25 ST Z	2
18	S01-250CA75-25	SCR, HHCS 0.25-20 X 1.75, ST SQC G5	1
19	789-05177	Plate, Bracket Throttle Pedal	1
20	SL5-190FA25-20	RHMC #10-32 NF X 1 1/4 GRD 2 Zinc	2
21	W07-190X000-20	WSH, LCK, MED SPLT 10 ST Z	3
22	789-05176	MTG Plate, Throttle Pedal	1
23	N04-250C000-25	Nut, HEX 025-20 ST Z GR5	3

* ITEM NOT SHOWN IN ILLUSTRATION

WHEN ORDERING PARTS, SPECIFY MODEL NUMBER, SERIAL NUMBER AND DESCRIPTION OF PARTS REQUIRED



ELECTRIC THROTTLE INSTALLATION

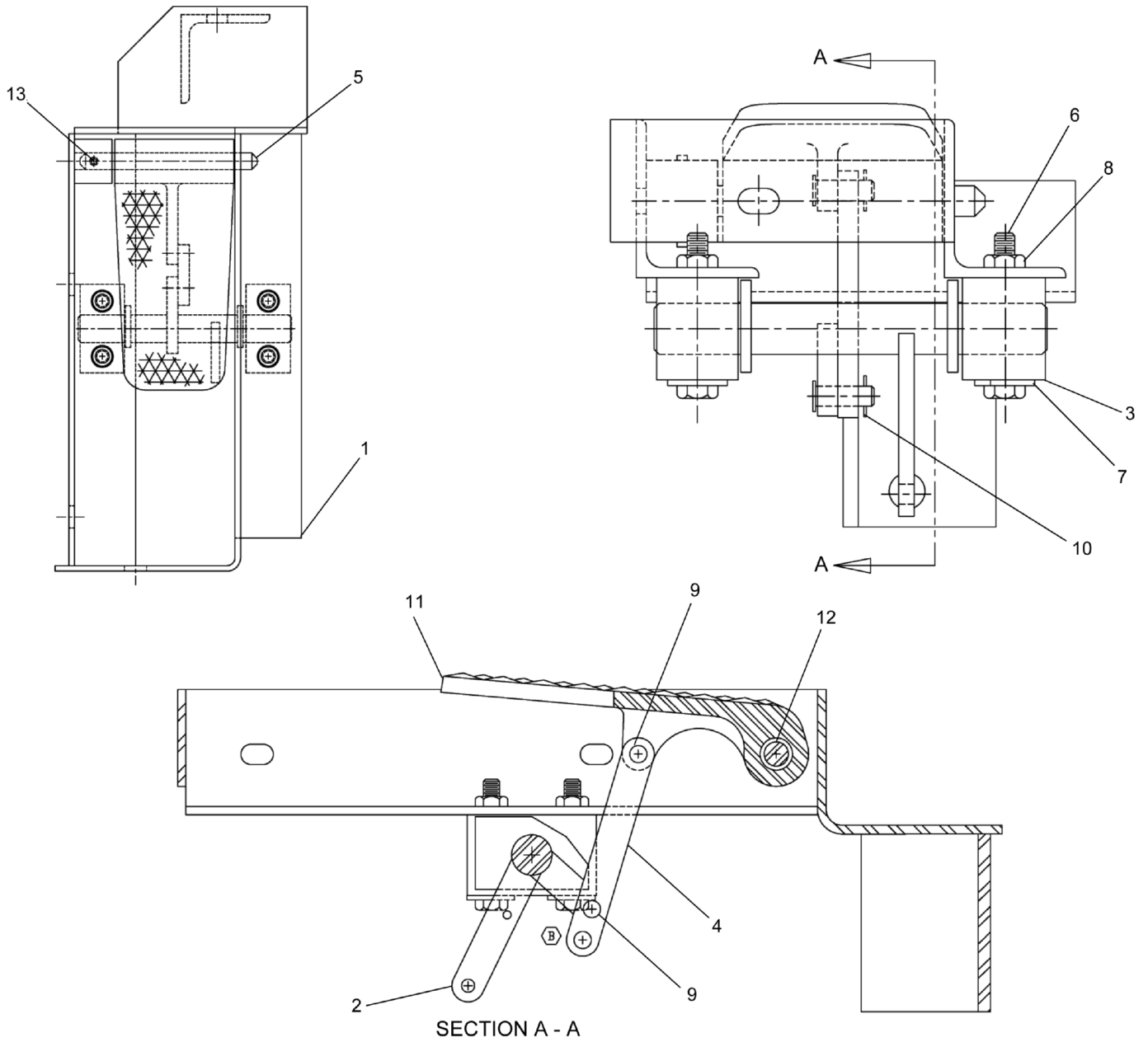
DATE: Revised 03-2017

MODEL: 35-100

PAGE: 162

CHAPTER

1



WHEN ORDERING PARTS, SPECIFY MODEL NUMBER, SERIAL NUMBER AND DESCRIPTION OF PARTS REQUIRED



THROTTLE ASSEMBLY

DATE: Revised 05-2018

MODEL: 35-100

PAGE: 163

CHAPTER

1

<u>REF</u>	<u>PART NO.</u>	<u>DESCRIPTION</u>	<u>QTY</u>
	600-40347 (Rev. G)	<i>Throttle Sub-Assembly</i>	
1	809-00407	Throttle Weldment	1
2	809-00389	Throttle Shaft-Weldment	1
3	709-01612	Bearing Block Acceleration Pedal	2
4	806-00198	Control-Pedal Main Link	1
5	870-00132	Pin, 3/8D X 4 LG (3-134)	1
6	S01-250CB00-25	SCR, HHCS, 0.25-20 X 2.00, ST Z G5	4
7	WBR-25RX734-20	WSH, FL TYPB-REG 0.25, ST SQC	4
8	NTP-250C000-25	Nut, HEX, TPLCK 0.25-20, ST SQC G5	4
9	P01-250X750-20	Pin, Clevis 0.25 X 0.75, ST SQC	2
10	224-01001	Cotter Pin 3/32D X 1/2 LG	2
11	100-30029	Throttle Pedal	1
12	08074200	Nylon Spacer (Microplastics)	2
13	224-12001	Roll Pin, 1/8D X 1 1/8 LG	1

WHEN ORDERING PARTS, SPECIFY MODEL NUMBER, SERIAL NUMBER AND DESCRIPTION OF PARTS REQUIRED

	<h1>THROTTLE ASSEMBLY</h1>	DATE: Revised 05-2018	CHAPTER 1
		MODEL: 35-100	
		PAGE: 164	



<u>REF</u>	<u>PART NO.</u>	<u>DESCRIPTION</u>	<u>QTY</u>
	300-00501 (Rev. C)	<i>Electric Throttle Control Pedal (For Cummins Engine)</i>	
	224860	Service Potentiometer	REF
1	220-00003	HHCS, 1/4-20 NC X 1.50 GR5 Zinc	2
2	221-00001	Nut HEX 1/4-20NC PLTD	2
3	222-00006	Flatwasher 1/4 Zinc PLTD	4
4	222-10005	Lock Washer, 1/4 Dia PLTD	2

WHEN ORDERING PARTS, SPECIFY MODEL NUMBER, SERIAL NUMBER AND DESCRIPTION OF PARTS REQUIRED



ELECTRIC THROTTLE PEDAL INSTALLATION (CUMMINS)

DATE: Released 10-2017
 MODEL: 35-100
 PAGE: 165

CHAPTER
1



<u>REF</u>	<u>PART NO.</u>	<u>DESCRIPTION</u>	<u>QTY</u>
	300-00513 (Rev. A)	<i>Electric Throttle Control Pedal (For Detroit Engine)</i>	
	224859	Service Potentiometer	REF
1	220-00003	HHCS, 1/4-20 NC X 1.50 GR5 Zinc	2
2	221-00001	Nut HEX 1/4-20NC PLTD	2
3	222-00006	Flatwasher 1/4 Zinc PLTD	4
4	222-10005	Lock Washer, 1/4 Dia PLTD	2

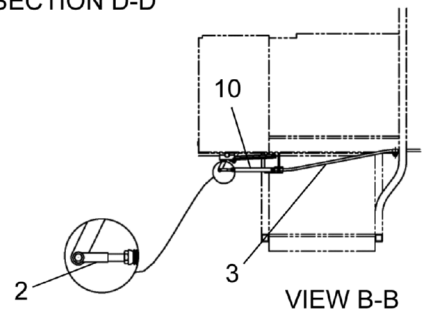
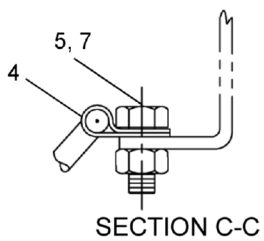
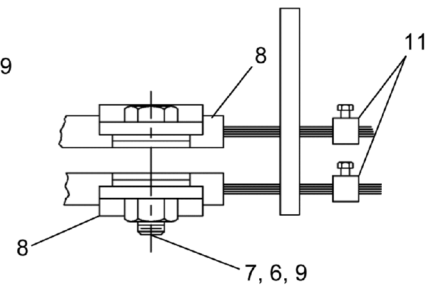
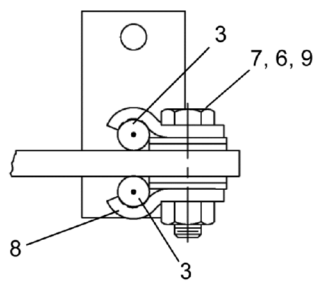
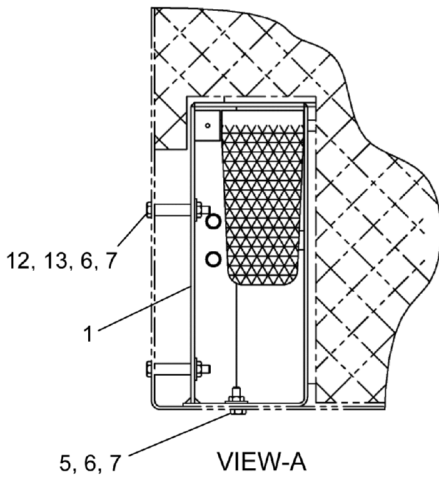
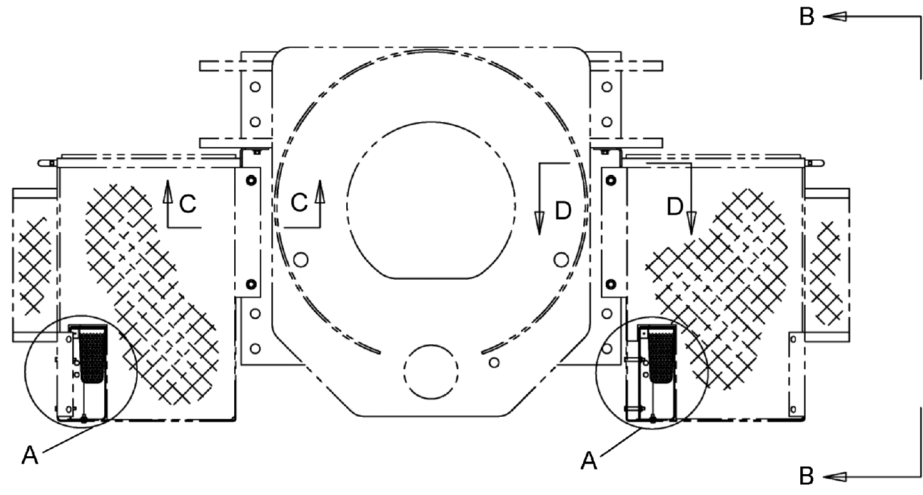
WHEN ORDERING PARTS, SPECIFY MODEL NUMBER, SERIAL NUMBER AND DESCRIPTION OF PARTS REQUIRED



ELECTRIC THROTTLE PEDAL INSTALLATION (DETROIT)

DATE: Released 10-2017
MODEL: 35-100
PAGE: 166

CHAPTER
1



WHEN ORDERING PARTS, SPECIFY MODEL NUMBER, SERIAL NUMBER AND DESCRIPTION OF PARTS REQUIRED



THROTTLE PEDAL (MANUAL)

DATE: Revised 05-2018

MODEL: 35-100

PAGE: 167

CHAPTER

1

<u>REF</u>	<u>PART NO.</u>	<u>DESCRIPTION</u>	<u>QTY</u>
	600-40429 (Rev. B)	<i>Throttle INSTL, Manual</i>	
1	600-40347	Throttle Sub-Assembly (see page 164)	2
2	809-00390	Clevis Assembly	2
3	600-40329	Cable, Accelerator	2
4	201-00141	Tube Clamp 1/4 X 5/16	2
5	SHF-250C750-25	SCR, HHCS, FT 0.25-20 X 0.75, ST SQC G5	4
6	WBR-25RX734-20	WSH, FL TYPB-REG 0.25, ST SQC	10
7	NTP-250C000-25	Nut, HEX, TPLCK 0.25-20, ST SQC G5	9
8	201-00143	Clamp Throttle Cable	2
9	S01-250CA25-25	SCR, HHCS 0.25-20 X 1.25, ST SQC G5	1
10	202-10062	Throttle Pedal Return Spring	2
11	209-00046	Swivel Stop	2
12	S01-250CB00-25	SCR, HHCS, 0.25-20 X 2.00, ST Z G5	4
13	036-10040	Spacer Tube 1/2 DIA Nylon	4

WHEN ORDERING PARTS, SPECIFY MODEL NUMBER, SERIAL NUMBER AND DESCRIPTION OF PARTS REQUIRED



THROTTLE PEDAL (MANUAL)

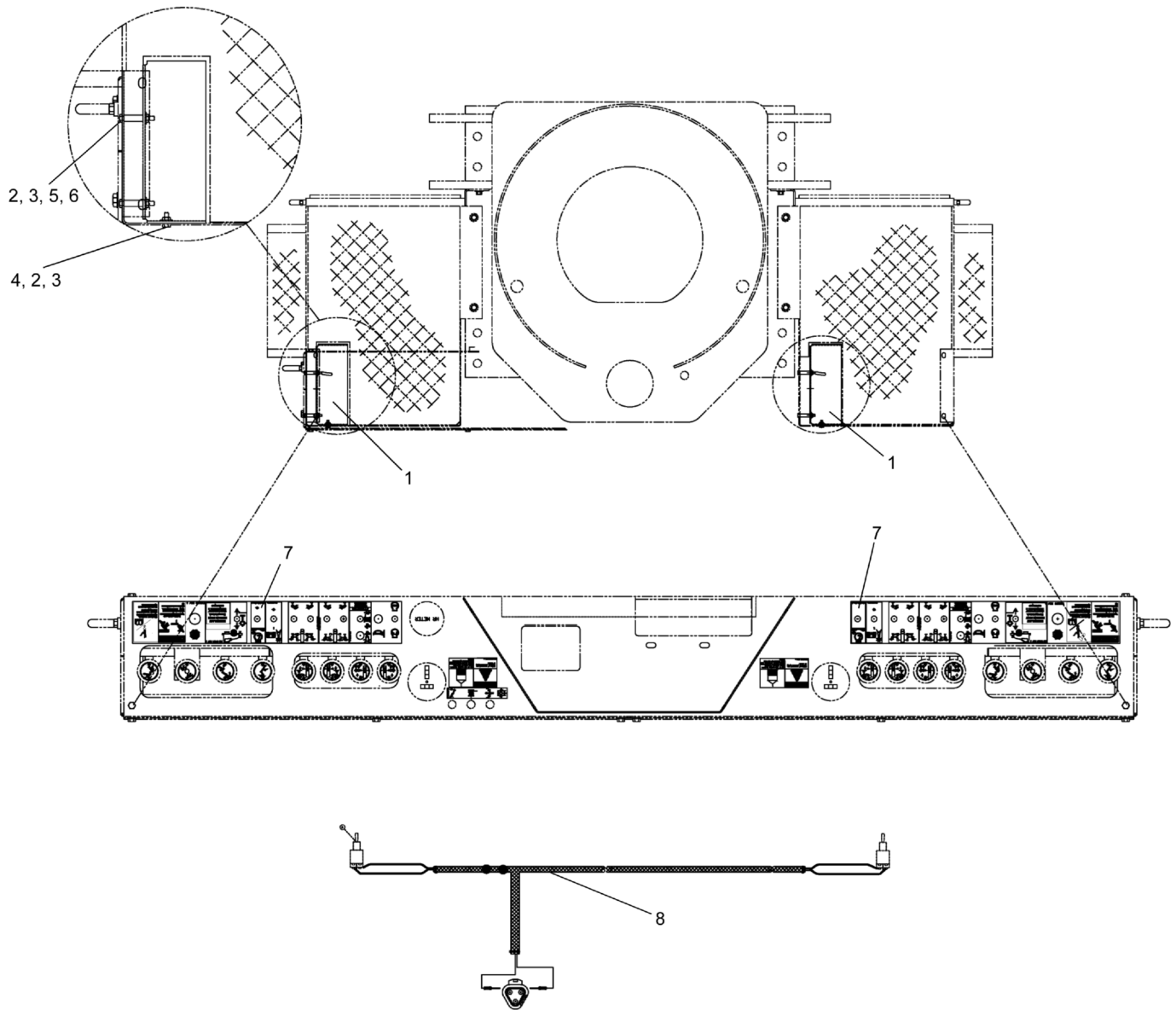
DATE: Revised 05-2018

MODEL: 35-100

PAGE: 168

CHAPTER

1



<u>REF</u>	<u>PART NO.</u>	<u>DESCRIPTION</u>	<u>QTY</u>
	T114222 (Rev. A)	<i>Bump Throttle INSTL</i>	
1	789-05176	MTG Plate, Throttle Pedal	2
2	WAW-25WX000-20	WSH, FL TPYA-WID 0.25 ST YZ	6
3	NYL-250C000-25	Nut, HEX NYL-INS 0.25-20, ST SQC G5	6
4	SHF-250C750-25	SCR, HHCS, FT 0.25-20 X 0.75, ST SQC G5	2
5	SHF-250CB00-25	SCR, HHCS FL 0.25-20 X 2.00, ST Z	4
6	036-10040	Spacer Tube 1/2 DIA Nylon	4
7	651-00451	Decal, Bump Throttle	2
8	T112812	Harness, Bump Throttle	1

WHEN ORDERING PARTS, SPECIFY MODEL NUMBER, SERIAL NUMBER AND DESCRIPTION OF PARTS REQUIRED



BUMP THROTTLE INSTALLATION

DATE: Revised 12-2013

MODEL: 35-100

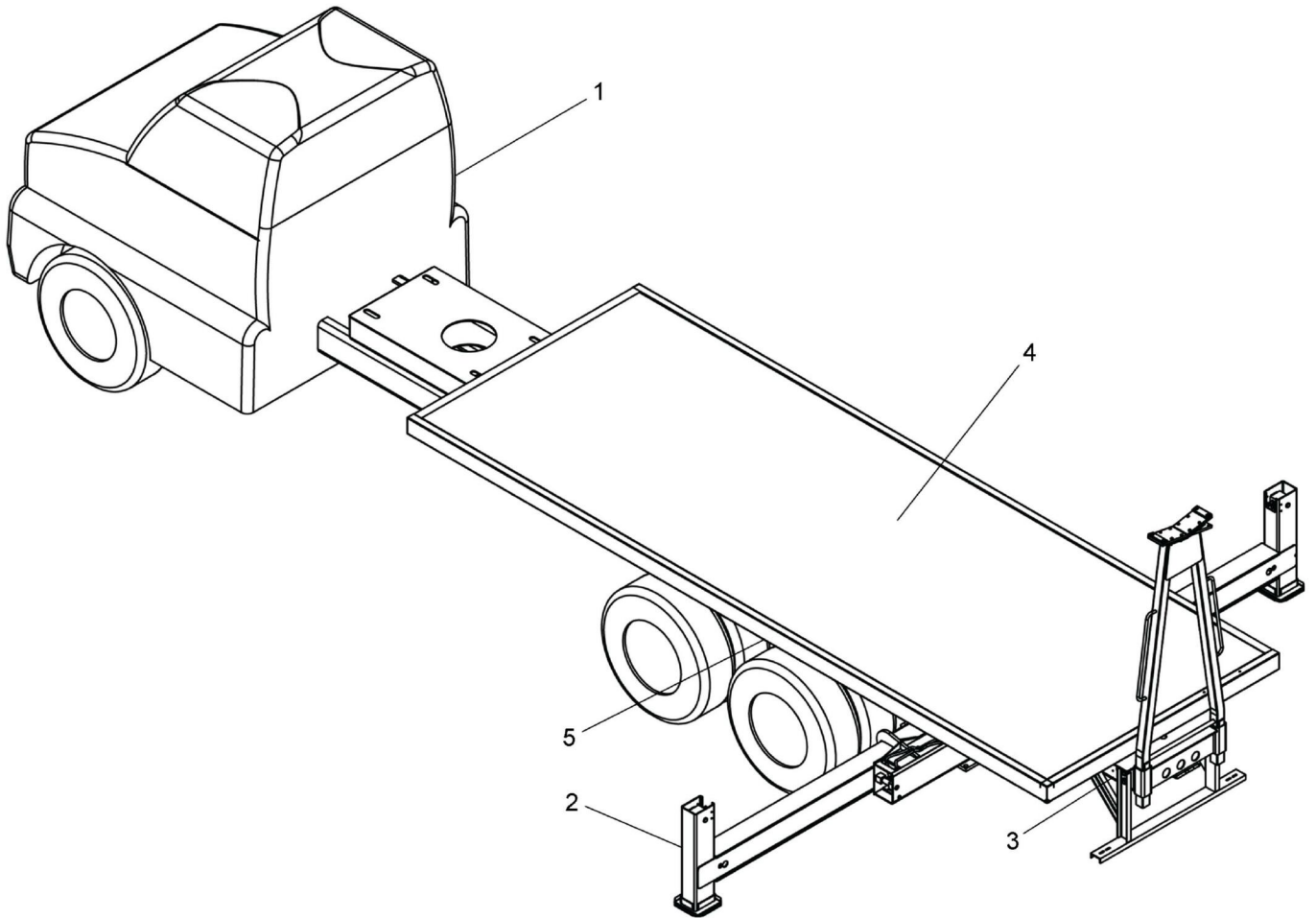
PAGE: 169

CHAPTER

1

CHAPTER NO. 2

35-100 LOWER STRUCTURE



WHEN ORDERING PARTS, SPECIFY MODEL NUMBER, SERIAL NUMBER AND DESCRIPTION OF PARTS REQUIRED



35-100 LOWER STRUCTURE

DATE: Revised 10-2017

MODEL: 35-100

PAGE: 172


CHAPTER

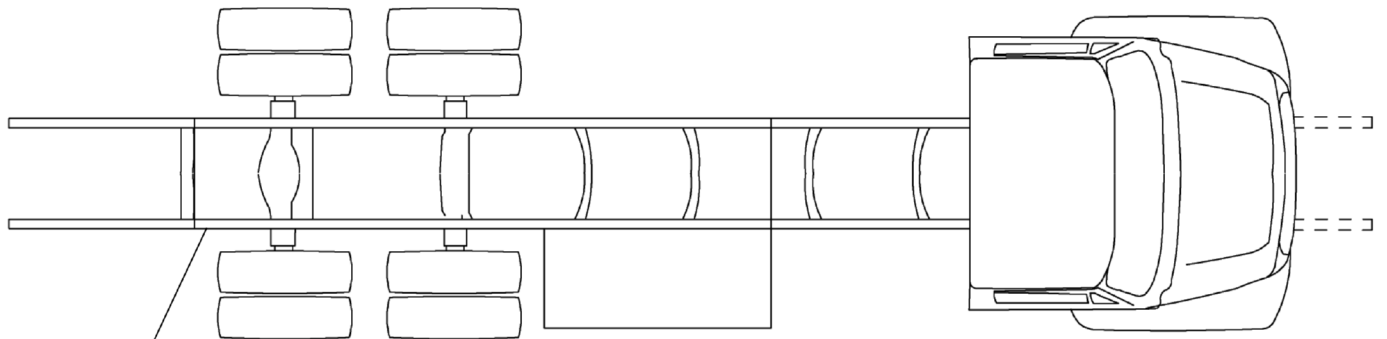
2

REF	PART NO.	DESCRIPTION	QTY
	35-100-LWR-STR (Rev. 00)	35-100 LOWER STRUCTURE	
1	35-100-CHASSIS*	Truck Chassis (see page 174)	1
2	35-100-O/R*	Outriggers (see page 176)	1
3	7000-1SF-1*	Subframe Options (see page 197)	1
4	35-100-FLATBED*	35-100 - 22' Flatbed Options (see page 211)	1
5	T151475	Brackets W/Mud Flaps (see page 215)	1
5A	T152436	Brackets W/O Mud Flaps (see page 216)	1
6**	521-00082-7	Manual 8 Bolt PTO +1' Hose (see page 217)	1
6A	521-00082-19	AUTO TRANS., +4' Hose Kit (see page 220)	1
7**	876-00060-1	Hydraulic Reservoir Installation (see page 225)	1
7A	876-00068-1	Main Frame HYD Tank INSTL (see page 231)	1
8**	736-00001-1	Fire Extinguisher Installation (see page 233)	1
9**	35-100-PTO OPTIONS	PTO Options (see page 234)	1

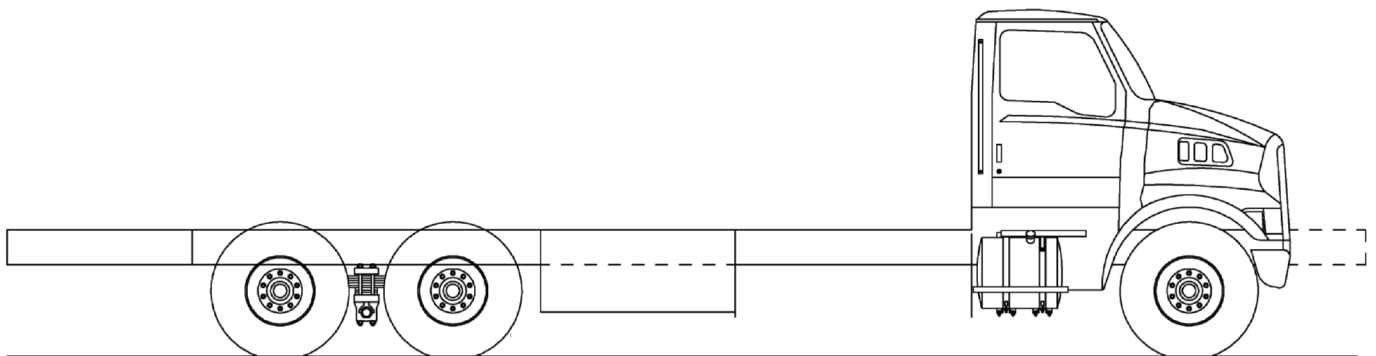
* NOT PURCHASABLE AT THIS LEVEL
** ITEM NOT SHOWN IN ILLUSTRATION

WHEN ORDERING PARTS, SPECIFY MODEL NUMBER, SERIAL NUMBER AND DESCRIPTION OF PARTS REQUIRED

	35-100 LOWER STRUCTURE	DATE: Revised 10-2017	CHAPTER 2
		MODEL: 35-100	
		PAGE: 173	



TOP VIEW



SIDE VIEW

Refer to Truck Chassis manufacturer (Ford, Freightliner, Sterling, etc.) for truck repair/replacement parts.

RECORD VEHICLE/MACHINE INFORMATION BELOW FOR USE WHEN ORDERING PARTS

<u>Truck Chassis</u> Manufacturer _____ Model _____ _____	Comments
<u>Boom Truck</u> Model No. _____ Serial No. _____ _____	Comments
Optional Equipment _____ _____	Comments

WHEN ORDERING PARTS, SPECIFY MODEL NUMBER, SERIAL NUMBER AND DESCRIPTION OF PARTS REQUIRED



TRUCK CHASSIS

DATE: Released 10-2011

MODEL: 35-100

PAGE: 174

CHAPTER

2

<u>REF</u>	<u>PART NO.</u>	<u>DESCRIPTION</u>	<u>QTY</u>
	35-100-CHASSIS* (Rev. 00)	<i>Truck Chassis</i>	
1	660-00050-6	Truck Chassis	1

* NOT PURCHASABLE AT THIS LEVEL

WHEN ORDERING PARTS, SPECIFY MODEL NUMBER, SERIAL NUMBER AND DESCRIPTION OF PARTS REQUIRED

 <small>BY CUSTOM TRUCK SOURCE</small>	<h2>TRUCK CHASSIS</h2>	DATE: Released 10-2011	CHAPTER 2
		MODEL: 35-100	
		PAGE: 175	



<u>REF</u>	<u>PART NO.</u>	<u>DESCRIPTION</u>	<u>QTY</u>
	35-100-O/R* (Rev. 00)	<i>Outriggers</i>	
1	T121203	ASSY, Main O/R INSTL (Gray) (see page 140)	1
2	T121324	AUX Outrigger INSTL (Gray) (see page 179)	1
3	T134655	34" EXT Frame ASSY Front Bumper O/R (BT) (see page 188)	1
3A	T134658	46" EXT Frame ASSY Front Bumper O/R (BT) (see page 195)	1
4	711-0387	Outrigger Pad, 18"	1

* NOT PURCHASABLE AT THIS LEVEL

WHEN ORDERING PARTS, SPECIFY MODEL NUMBER, SERIAL NUMBER AND DESCRIPTION OF PARTS REQUIRED



OUTRIGGERS

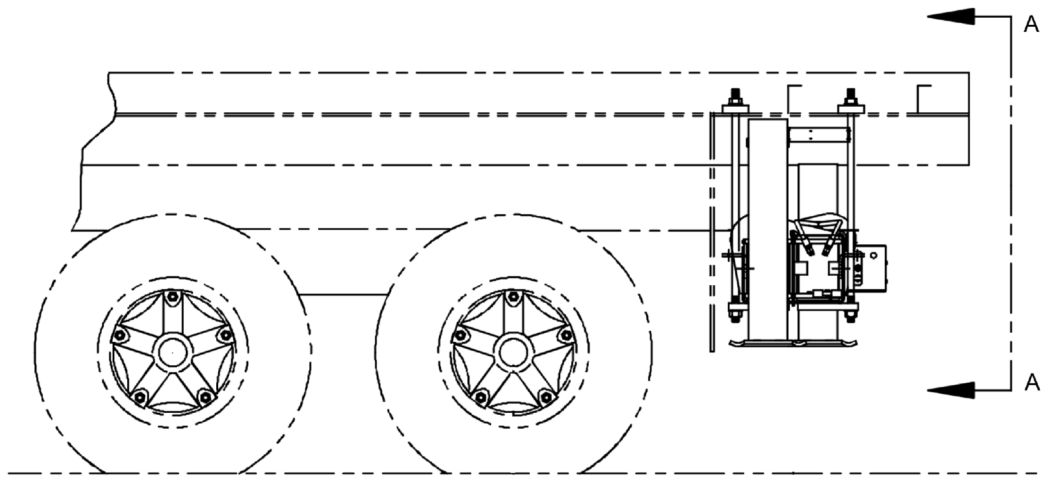
DATE: Revised 04-2007

MODEL: 35-100

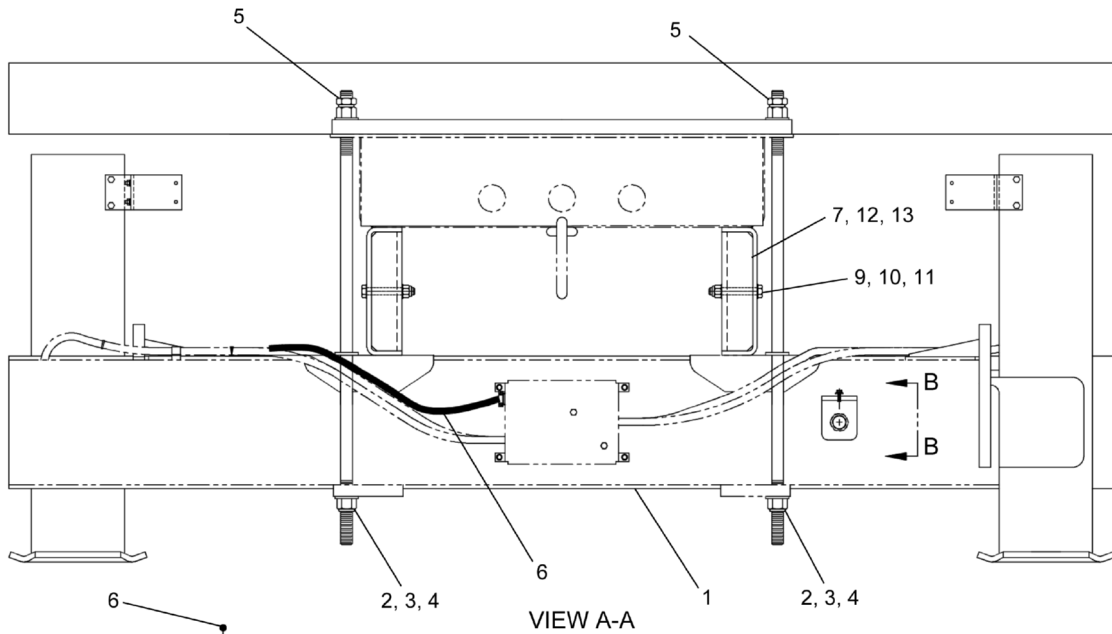
PAGE: 176

CHAPTER

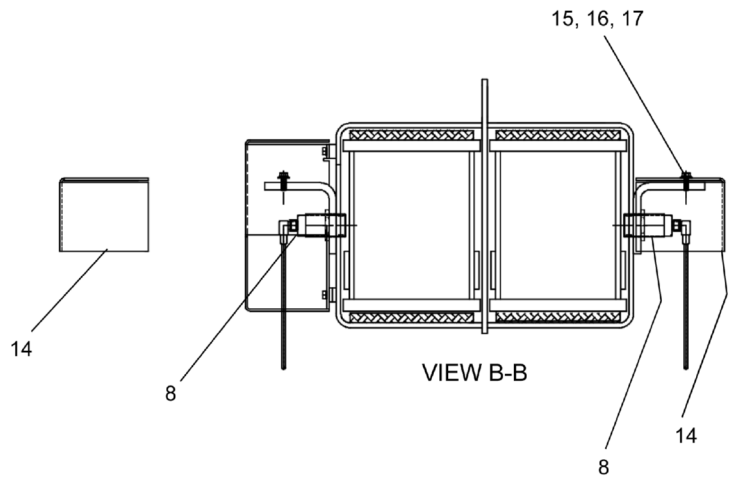
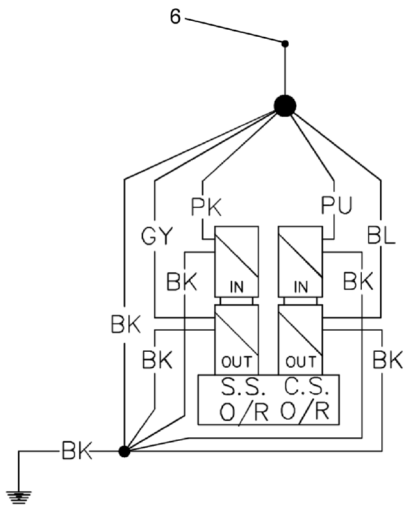
2



STREET SIDE VIEW OF TRUCK



VIEW A-A



VIEW B-B

WHEN ORDERING PARTS, SPECIFY MODEL NUMBER, SERIAL NUMBER AND DESCRIPTION OF PARTS REQUIRED



AUXILIARY OUTRIGGER INSTL (GRAY)

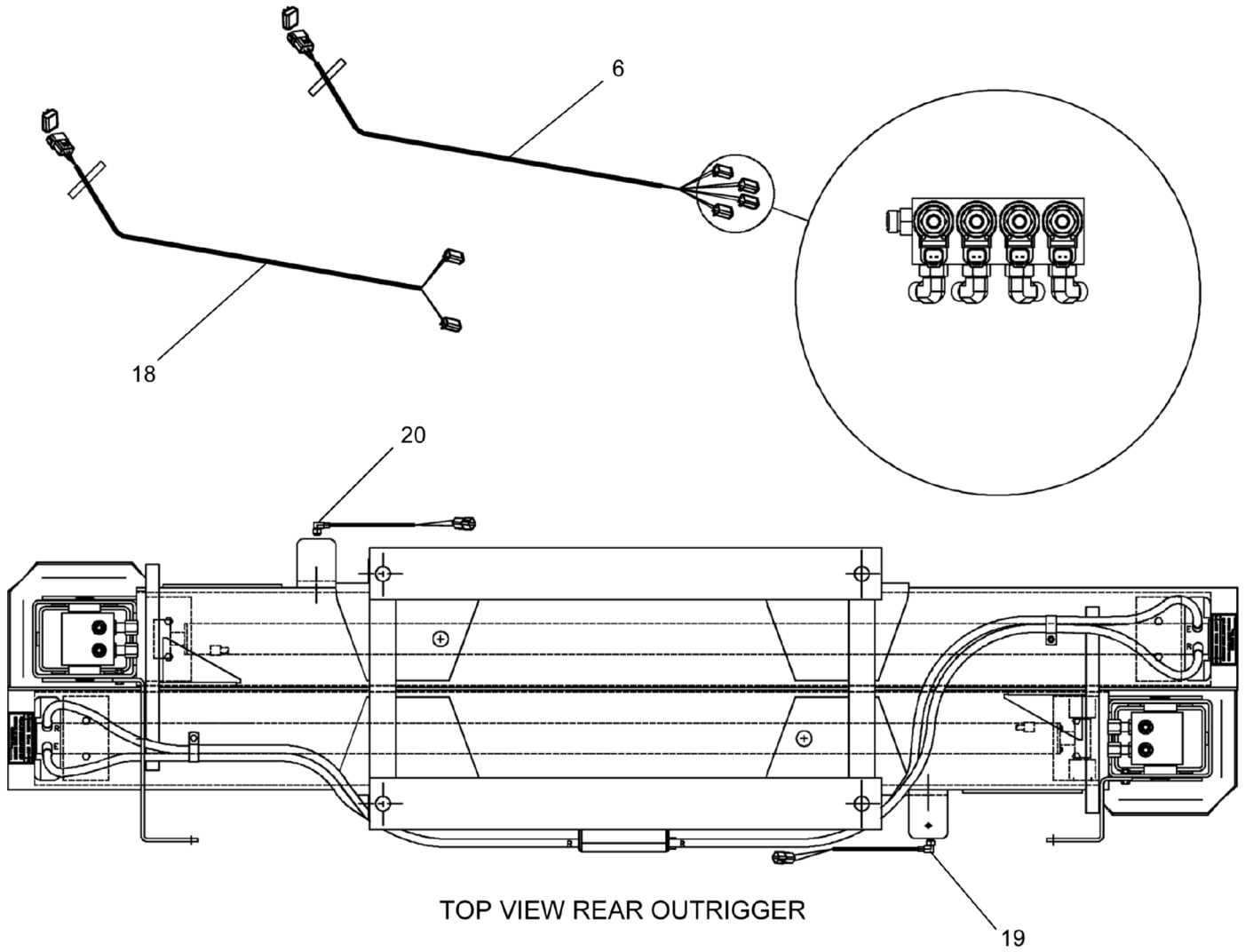
DATE: Revised 10-2016

MODEL: 35-100

PAGE: 177

CHAPTER

2



WHEN ORDERING PARTS, SPECIFY MODEL NUMBER, SERIAL NUMBER AND DESCRIPTION OF PARTS REQUIRED



AUXILIARY OUTRIGGER INSTL (GRAY)

DATE: Revised 10-2016

MODEL: 35-100

PAGE: 178

CHAPTER

2

<u>REF</u>	<u>PART NO.</u>	<u>DESCRIPTION</u>	<u>QTY</u>
	T121324 (Rev. D)	<i>AUX Outrigger INSTL (Gray)</i>	
1	T120909	AUX O/R Assembly (see page 182)	1
2	220-09123	Stud, 1.00-14 X 39.00 LG	4
3	NYH-A00S000-22	Nut, NYL-INS HVY 1.00-14, ST Z	8
4	WAH-A0NX000-Y2	WSH, FL HRD A-NRW 1.00, ST YZ	8
5	N05-A00S000-Y8	Nut, HEX Jam 1.00-14 ST YZ GR8	4
6	400-25188	ELEC. Harness ASSY AUX O/R	1
7	709-01902-1	Frame Stiffener 9.50" (021-40046)	A/R
8	T120217	Position Sensor	2
9	S01-625CD00-25	SCR, HHCS 0.625-11X4.00, ST Z GR5	4
10	NYL-625C000-25	Nut, HEX NYL-INS 0.625-11, ST SQC G5	4
11	WAH-62NX000-Y2	WSH, FL HRD A-NRW 0.625 ST YZ	8
12	709-01902-2	Frame Stiffener 9.63" (021-40042)	4
13	709-01902-3	Frame Stiffener 9.75" (021-40051)	A/R
14	T120495	Position Sensor Cover (Gray)	2
15	SHF-250C750-25	SCR, HHCS, FT 0.25-20 X 0.75, ST SQC G5	2
16	W07-250X000-20	WSH, LCK, MED SPLT 0.25 ST Z	2
17	WAW-25WX000-20	WSH, FL TPYA-WID 0.25 ST YZ	2
18	T121809	Harness AUX O/R Sensors	1
19	T121221	Harness AUX C.S O/R Sensor	1
20	T121222	Harness AUX S.S O/R Sensor	1

WHEN ORDERING PARTS, SPECIFY MODEL NUMBER, SERIAL NUMBER AND DESCRIPTION OF PARTS REQUIRED



**AUXILIARY OUTRIGGER INSTL
(GRAY)**

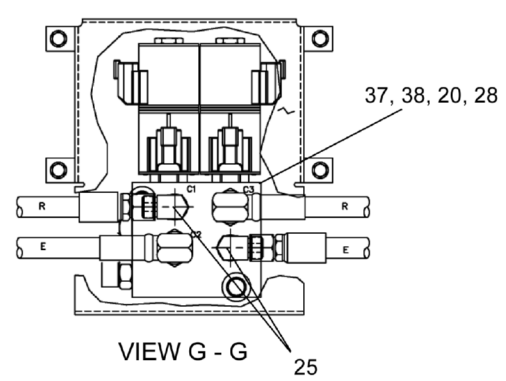
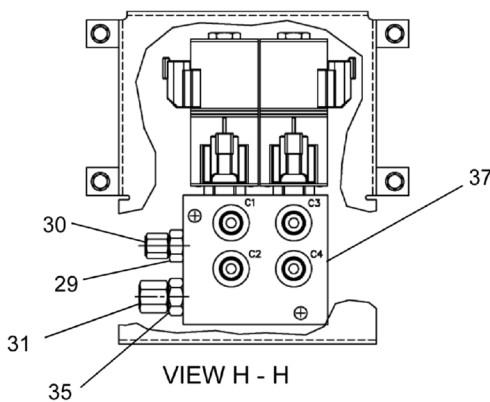
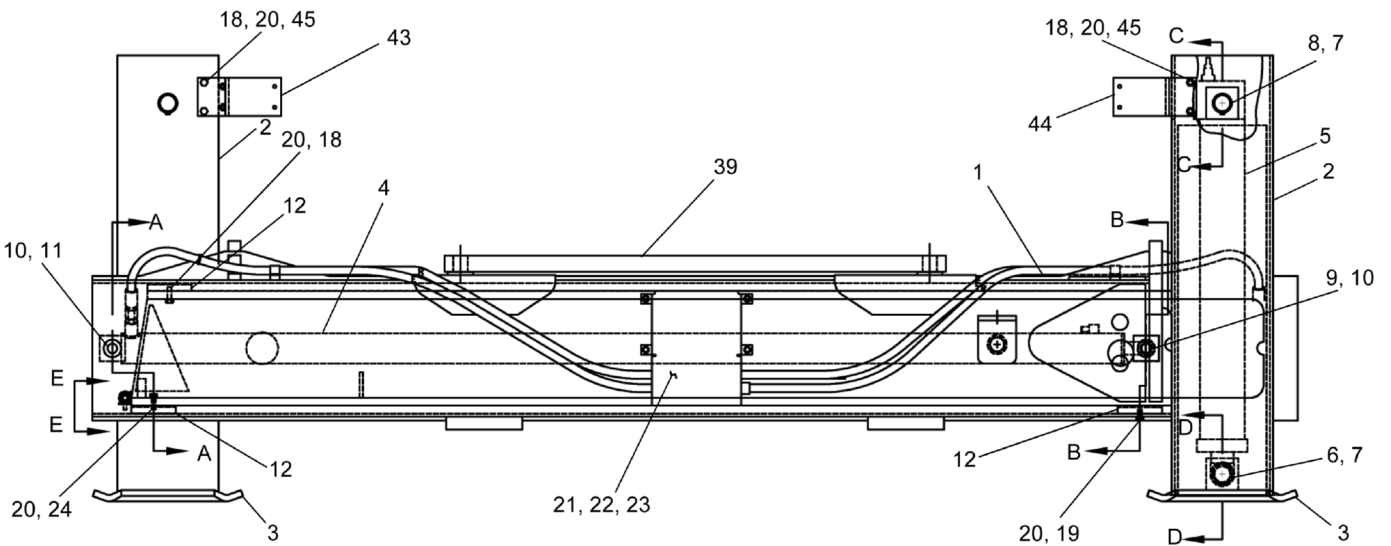
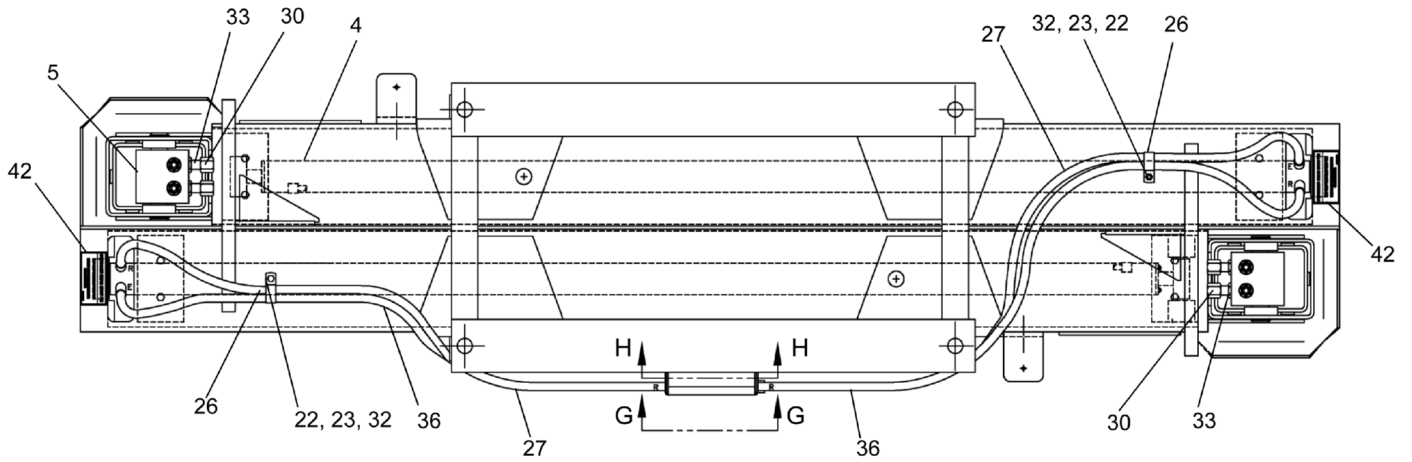
DATE: Revised 10-2016

MODEL: 35-100

PAGE: 179

CHAPTER

2



WHEN ORDERING PARTS, SPECIFY MODEL NUMBER, SERIAL NUMBER AND DESCRIPTION OF PARTS REQUIRED



HORIZONTAL AUXILIARY O/R, ASSEMBLY (GRAY)

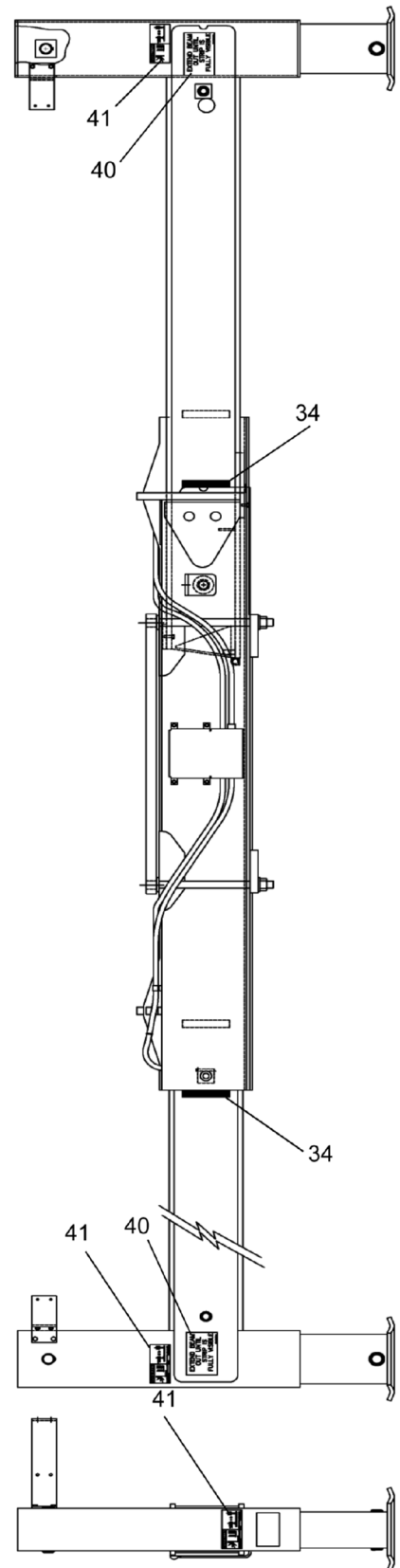
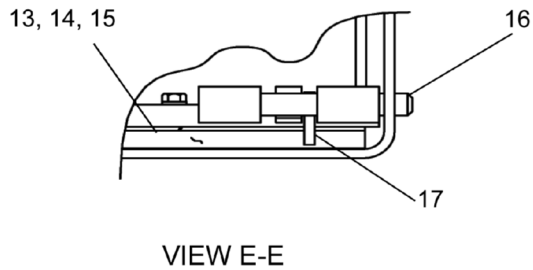
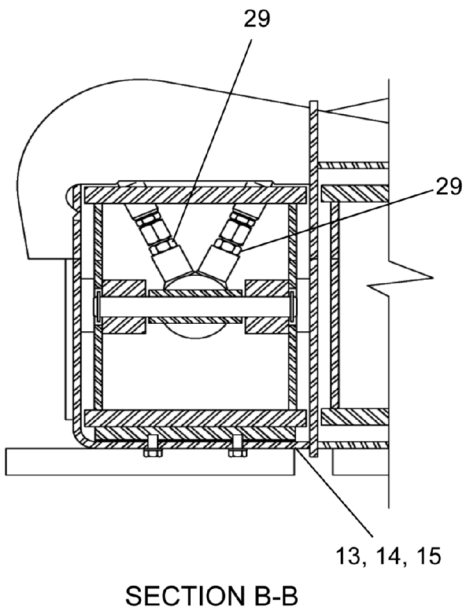
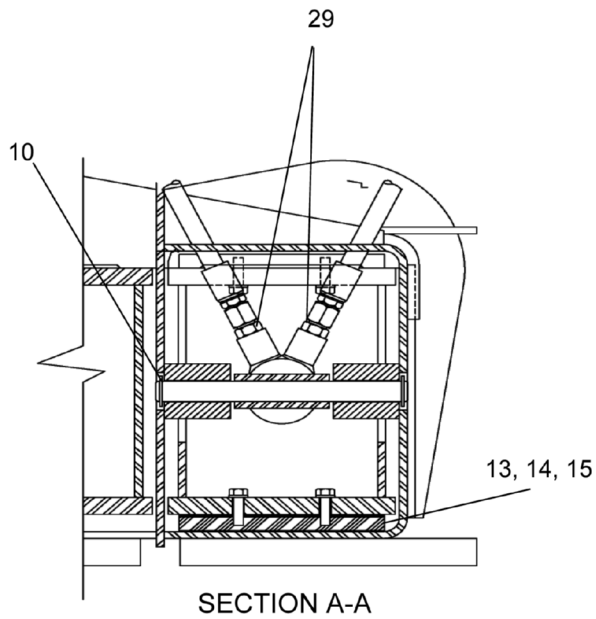
DATE: Revised 01-2015

MODEL: 35-100

PAGE: 180

CHAPTER

2



WHEN ORDERING PARTS, SPECIFY MODEL NUMBER, SERIAL NUMBER AND DESCRIPTION OF PARTS REQUIRED



HORIZONTAL AUXILIARY O/R, ASSEMBLY (GRAY)

DATE: Revised 01-2015

MODEL: 35-100

PAGE: 181

CHAPTER

2

REF	PART NO.	DESCRIPTION	QTY
	T120909 (Rev. B)	AUX O/R Assembly	
1	T120910	HORZ AUX O/R Outer (Weld) (Gray)	1
2	T120913	HORZ AUX O/R Inner (Weld) (Gray)	2
3	760-10335-P7	VERT AUX O/R Inner (Weld) (Gray)	2
4	540-00061	Cylinder, HORZ AUX O/R (Gray) (Fisher Division of Ligon) (see page 183) . 2	
5	540-30181	Cylinder, VERT AUX O/R (Gray) (Fisher Division of Ligon) (see page 186) . 2	
6	870-30211	CYL Pin, VERT- Rod End	2
7	200-10013	Retaining Ring, DIA 1 1/4 (3-784)	8
8	870-30212	CYL, Pin, VERT-Barrel End	2
9	870-10184	CYL, Pin, HORZ-Rod End	2
10	200-00006	RET, Ring, Ø3/4 (3-784)	8
11	870-10185	CYL, Pin, HORZ-Barrel End	2
12	729-02238	Wear Pad (2-765)	6
13	787-00255	SHIM, Wear Pad .040 (2-817)	4
14	787-00256	SHIM, Wear Pad .063 (2-817)	4
15	787-00257	SHIM, Wear Pad .100 (2-817)	4
16	870-10186	Lockpin, HORZ AUX O/R	2
17	224-16014	Roll Pin, Ø1/4 x 1 1/2 PLTD	2
18	SHF-312CA00-25	SCR, HHCS FT 0.312-18 X 1.00, ST SQC G5	8
19	SHF-312C750-25	SCR, HHCS FT 0.312-18 X 0.75 ST SQC G5	4
20	W07-312X000-20	WSH, LCK, MED SPLT 0.3125, ST SQC	18
21	802-01594-P7	Cover, Control Valve AUX O/R (Gray)	1
22	SHF-250C500-25	SCR, HHCS FT 0.25-20 X 0.50, ST SQC G5	6
23	W07-250X000-20	WSH, LCK, MED SPLT 0.25 ST Z	6
24	SHF-312CA25-25	SCR, HHCS FT 0.312-18 X 1.25, ST SQC G5	4
25	514-54004	Elbow, 90° #6 OFS X #6 ORB	2
26	201-00170	Clamp, DBL Ø5/8 x .406H	2
27	502-20797	Hose/A, AUX O/R HORZ 3/8 x 60" LG	2
28	WAH-31NX000-Y2	WSH, FL HRD A-NRW 0.3125, ST Z	2
29	513-40014	STR CONN, M#6 OFS X M#6 ORB	5
30	519-40007	Cap. Parker #6	5
31	519-50010	Cap, #8 OFS	1
32	WAW-25WX000-20	WSH, FL TPYA-WID 0.25 ST YZ	2
33	513-40015	CONN., #6 OFS X #6 ORB (Long)	4
34	659-00216	Yellow, O/R Strip 2.0 x 5.75	4
35	513-50026	CONN. Parker #8 -6	1
36	502-20971	Hose/A, AUX O/R HORZ 3/8 x 63" LG	2
37	559-00252	Valve, Control AUX. O/R (see page 136)	1
38	SHF-312CC00-25	SCR, HHCS, 0.312-18 x 3.00, ST Z GR5	2
39	783-03010-P7	Support Bar, AUX O/R (Gray)	2
40	651-00386	Decal, O/R Beam	4
41	12400-1514	Decal, O/R Crush Hazard	6
42	652-00469	Decal, Outrigger Beam Pin	2
43	770-01840-P7	Hose Support Bracket S.S (Gray)	1
44	770-01820-P7	Hose Support Bracket C.S (Gray)	1
45	N04-312C000-25	Nut, HEX 0.3125-18 ST SQC G5	4

WHEN ORDERING PARTS, SPECIFY MODEL NUMBER, SERIAL NUMBER AND DESCRIPTION OF PARTS REQUIRED



HORIZONTAL AUXILIARY O/R, ASSEMBLY (GRAY)

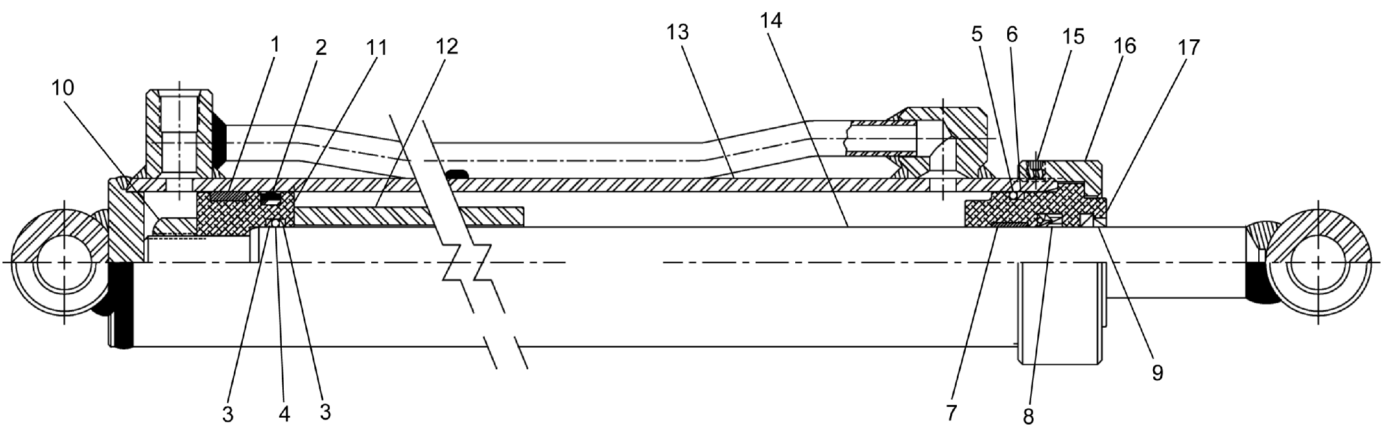
DATE: Revised 01-2015

MODEL: 35-100

PAGE: 182

CHAPTER

2



WHEN ORDERING PARTS, SPECIFY MODEL NUMBER, SERIAL NUMBER AND DESCRIPTION OF PARTS REQUIRED



**HORIZONTAL AUXILIARY
OUTRIGGER CYLINDER (GRAY)
(FISHER DIVISION OF LIGON)**

DATE: Revised 09-2011

MODEL: 35-100

PAGE: 183

CHAPTER

2

<u>REF</u>	<u>PART NO.</u>	<u>DESCRIPTION</u>	<u>QTY</u>
	540-00061 (Rev. B)	<i>Cylinder, HORZ AUX O/R (Gray) (Fisher Division of Ligon)</i>	
	221101	Seal Kit (Items 1 thru 9)	1
1	221102	Wear Ring	1
2	221103	PSP Seal	1
3	221104	Back-up Ring	2
4	221105	O' Ring	1
5	221106	O' Ring	1
6	221107	Back-Up Ring	1
7	221108	Wear Ring	1
8	221109	Loaded U-Cup	1
9	221110	Rod Wiper	1
10	221111	Locknut	1
11	221112	Piston	1
12	221113	Spacer	1
13	221114	Barrel Assembly	1
14	221115	Rod Assembly	1
15	221116	Cup PT Set Screw	1
16	221117	Thread Cap	1
17	221118	Thread Cap Head	1

WHEN ORDERING PARTS, SPECIFY MODEL NUMBER, SERIAL NUMBER AND DESCRIPTION OF PARTS REQUIRED



**HORIZONTAL AUXILIARY
OUTRIGGER CYLINDER (GRAY)
(FISHER DIVISION OF LIGON)**

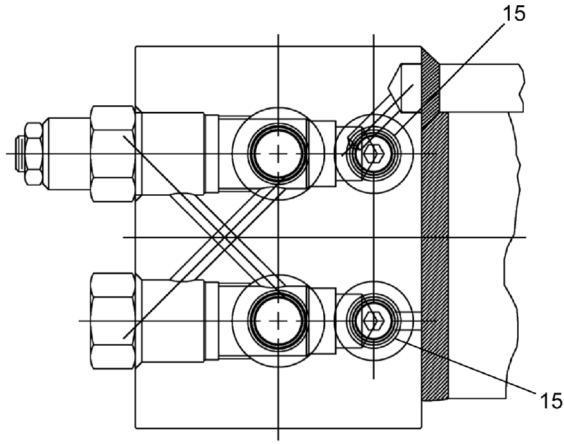
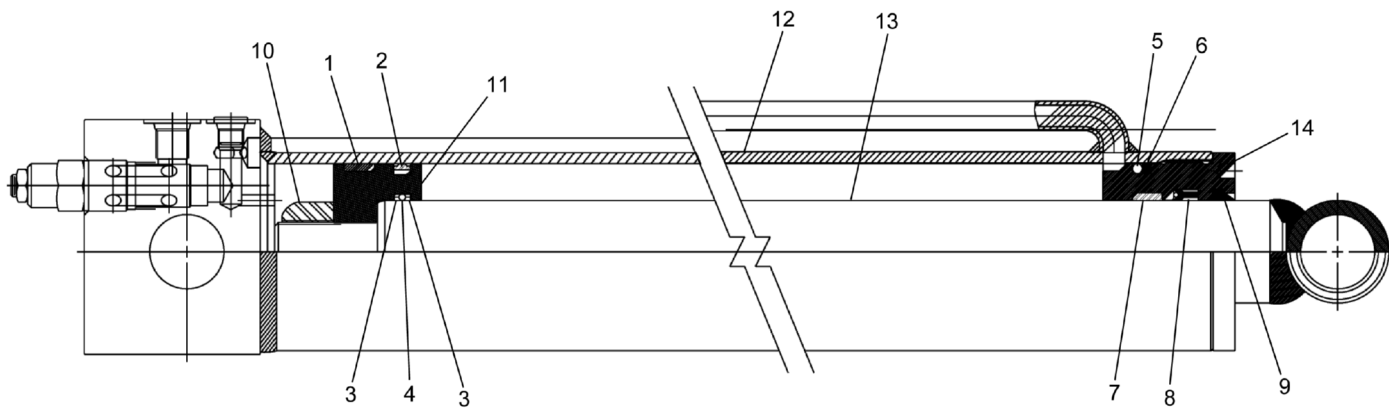
DATE: Revised 09-2011

MODEL: 35-100

PAGE: 184

CHAPTER

2



WHEN ORDERING PARTS, SPECIFY MODEL NUMBER, SERIAL NUMBER AND DESCRIPTION OF PARTS REQUIRED



**AUXILIARY OUTRIGGER
CYLINDER VERTICAL (GRAY)
(FISHER DIVISION OF LIGON)**

DATE: Revised 09-2011
MODEL: 35-100
PAGE: 185

**CHAPTER
2**

<u>REF</u>	<u>PART NO.</u>	<u>DESCRIPTION</u>	<u>QTY</u>
	540-30181 (Rev. A)	<i>Cylinder, VERT AUX O/R (Gray) (Fisher Division of Ligon)</i>	
	221125	Seal Kit (Items 1 thru 9)	1
1	222999	Wear Ring	1
2	221119	PSP Seal	1
3	221107	Back-Up Ring	2
4	221106	O' Ring	1
5	223005	O' Ring	1
6	223006	Back-Up Ring	1
7	221102	Wear Ring	1
8	215123	Loaded U-Cup	1
9	215124	Rod Wiper	1
10	223010	Locknut	1
11	221120	Piston	1
12	223012	Barrel Assembly	1
13	221122	Rod Assembly	1
14	221123	Internal Head	1
15	221124	Steel Plug	2

WHEN ORDERING PARTS, SPECIFY MODEL NUMBER, SERIAL NUMBER AND DESCRIPTION OF PARTS REQUIRED



**AUXILIARY OUTRIGGER
CYLINDER VERTICAL (GRAY)
(FISHER DIVISION OF LIGON)**

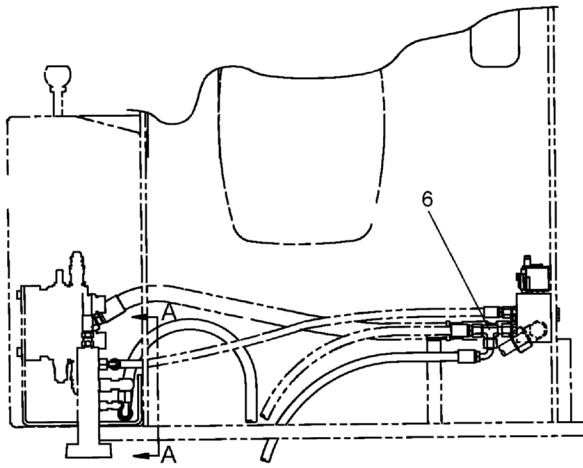
DATE: Revised 09-2011

MODEL: 35-100

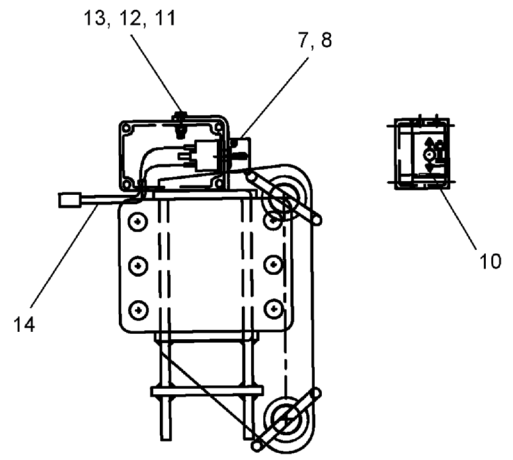
PAGE: 186

CHAPTER

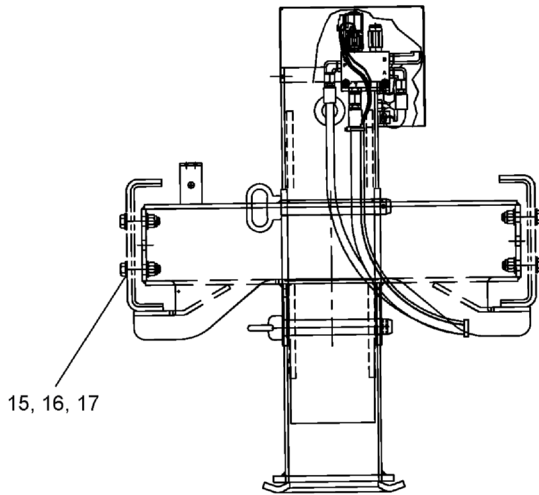
2



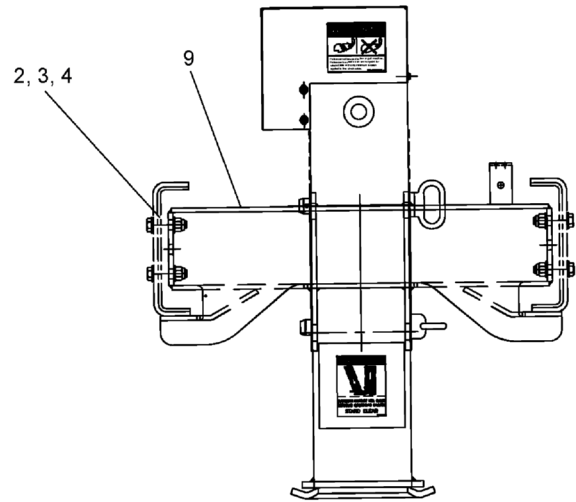
SIDE VIEW MAINFRAME



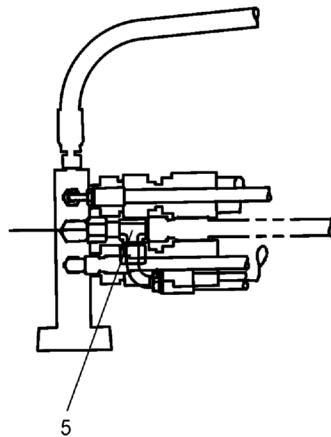
FRONT JACK MOUNT



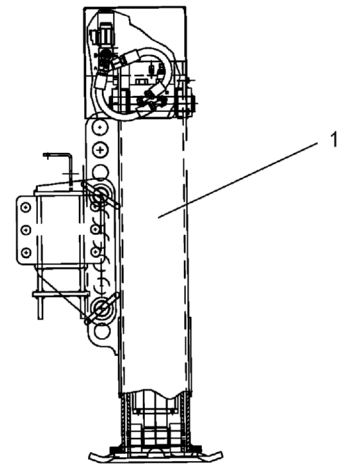
REAR VIEW OF FRONT MOUNTED O/R EXT FRAME



FRONT VIEW OF FRONT MOUNTED O/R EXT FRAME



VIEW A - A



WHEN ORDERING PARTS, SPECIFY MODEL NUMBER, SERIAL NUMBER AND DESCRIPTION OF PARTS REQUIRED



ASSEMBLY, FRONT BUMPER (OUTRIGGER) 34" FRAME

DATE: Revised 10-2017

MODEL: 35-100

PAGE: 187

CHAPTER

2

<u>REF</u>	<u>PART NO.</u>	<u>DESCRIPTION</u>	<u>QTY</u>
	T134655 (Rev. B)	34" EXT Frame ASSY Front Bumper O/R (BT)	
1	T135724	O/R Sub ASSY, Front Bumper (see page 190)	1
2	789-06043.3	1/8" Shim Plate	2
3	789-06044.3	1/4" Shim Plate	2
4	789-06045.3	3/8" Shim Plate	4
5	516-85004	Tee 2 X M#8 OFS X F#8 OFS	1
6	516-84003	Tee, 2X M#4 OFS X M#4 ORB	1
7	400-04122	Toggle Switch, Micro	1
8	400-04036	Cover Switch	1
9	T128151	34" Front O/R MTG Bracket	1
10	651-00464	Decal, Fifth O/R FRT Bumper	1
11	T128152	ELECT Box Front O/R	1
12	SFS-250CA00-25	HXFLG, SERR 0.25-20 X 1.00, G5	2
13	NFH-250C000-25	Nut, HEX Flange, 0.25-20, ST Z G5	2
14	T135404	Wire Harness, Front Bumper O/R	1
15	WAJ-750X000-Y2	WSH, FL HRD A-REG 0.75, ST YZ	16
16	S01-750CC25-Y8	SCR, HHCS 0.75-10X3.25, ST YZ GR8	8
17	NYL-750C000-Y8	HEX Nut NYL-INS 0.75-10, ST Z GR8	8

WHEN ORDERING PARTS, SPECIFY MODEL NUMBER, SERIAL NUMBER AND DESCRIPTION OF PARTS REQUIRED



ASSEMBLY, FRONT BUMPER (OUTRIGGER) 34" FRAME

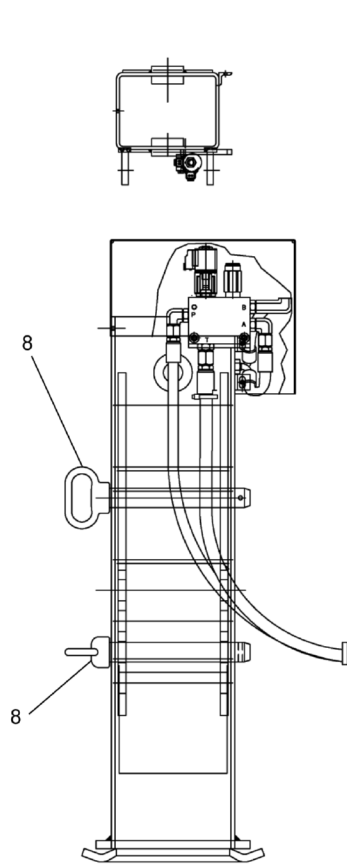
DATE: Revised 10-2017

MODEL: 35-100

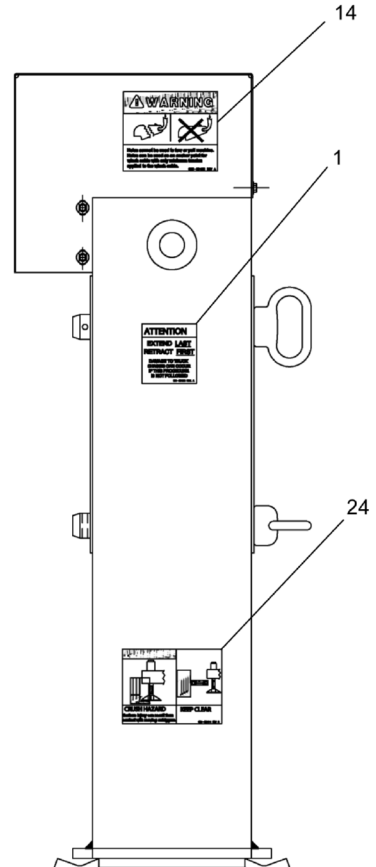
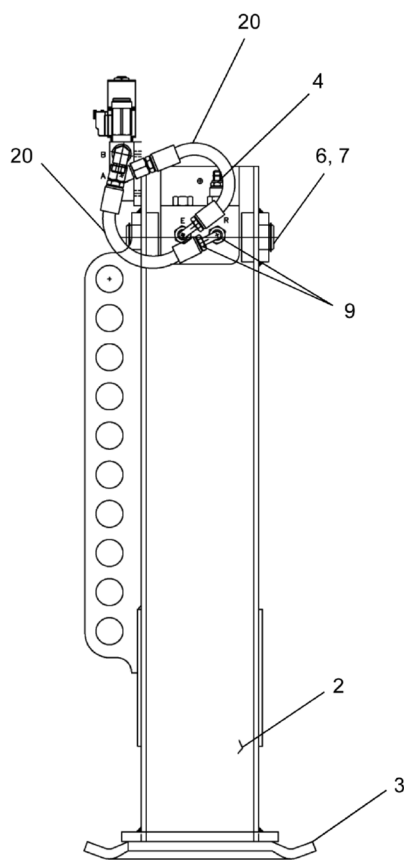
PAGE: 188

CHAPTER

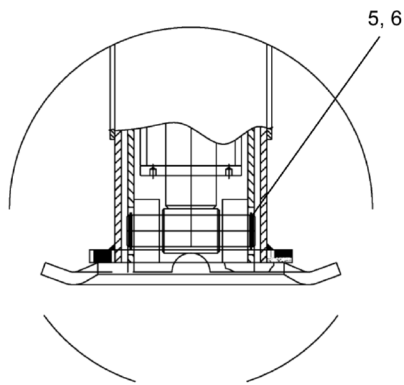
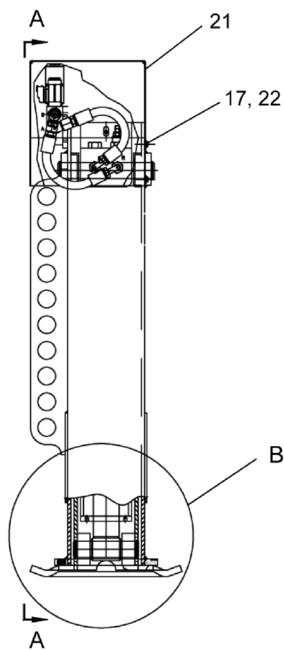
2



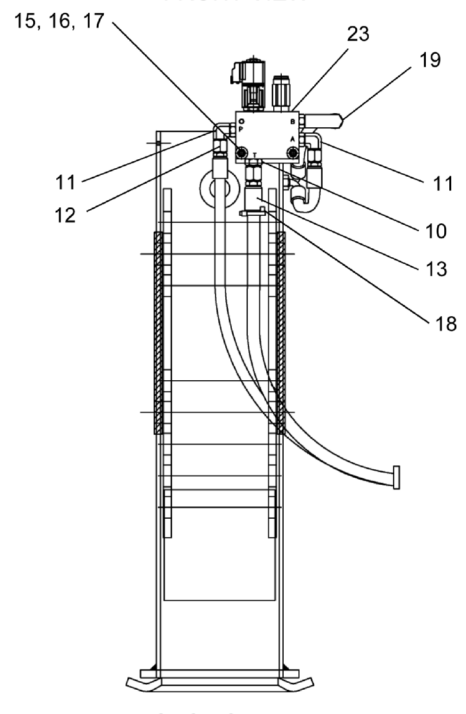
REAR VIEW



FRONT VIEW



DETAIL B



SECTION A-A

WHEN ORDERING PARTS, SPECIFY MODEL NUMBER, SERIAL NUMBER AND DESCRIPTION OF PARTS REQUIRED



OUTRIGGERS SUB ASSEMBLY, FRONT BUMPER

DATE: Revised 06-2016

MODEL: 35-100

PAGE: 189

CHAPTER

2

<u>REF</u>	<u>PART NO.</u>	<u>DESCRIPTION</u>	<u>QTY</u>
	T135724 (Rev. A)	<i>O/R Sub ASSY, Front Bumper</i>	
1	651-00435	Decal, Extend Last Retract First	1
2	760-00458	FRT BMPR O/R HSG - Outer Weld	1
3	760-10408	FRT BMPR O/R HSG - Inner Weld	1
4	540-20142	Jack Cylinder (see page 192)	1
5	870-30211	CYL Pin, VERT- Rod End	1
6	200-10013	Retaining Ring, DIA 1 1/4 (3-784)	4
7	870-10210	CYL Pin, VERT- Barrel End	1
8	870-30234	Hitch Pin 1.25DIA X 8.5 H.T GR8	2
9	513-40015	CONN., #6 OFS X #6 ORB (Long)	2
10	513-50026	CONN. Parker #8 -6	1
11	514-54004	Elbow, 90° #6 OFS X #6 ORB	2
12	502-20813	Hose ASSY, Valve Supply	1
13	502-30781	Hose ASSY, Valve Return	1
14	1007078	Warning-Do Not Anchor/Tow Decal	1
15	S01-250CA75-25	SCR, HHCS 0.25-20 X 1.75, ST SQC G5	2
16	W07-250X000-20	WSH, LCK, MED SPLT 0.25 ST Z	2
17	WBR-25RX734-20	WSH, FL TYPB-REG 0.25, ST SQC	5
18	400-15086	Tie Wrap 7 7/16 LG	6
19	514-54008	Elbow, 90°L #6 OFS X #6 ORB	1
20	502-20816	Hose ASSY, Front O/R EXT/RET	2
21	802-01664	Cover, Front O/R Valve	1
22	SHF-250C625-25	SCR, HHCS FT 0.25-20 X 0.625, STZ G5	3
23	551-10142	Valve ASSY, SOL-O/R CONT (see page 193)	1
24	651-00414	Decal, 5TH O/R Crush Hazard	1

WHEN ORDERING PARTS, SPECIFY MODEL NUMBER, SERIAL NUMBER AND DESCRIPTION OF PARTS REQUIRED



OUTRIGGERS SUB ASSEMBLY, FRONT BUMPER

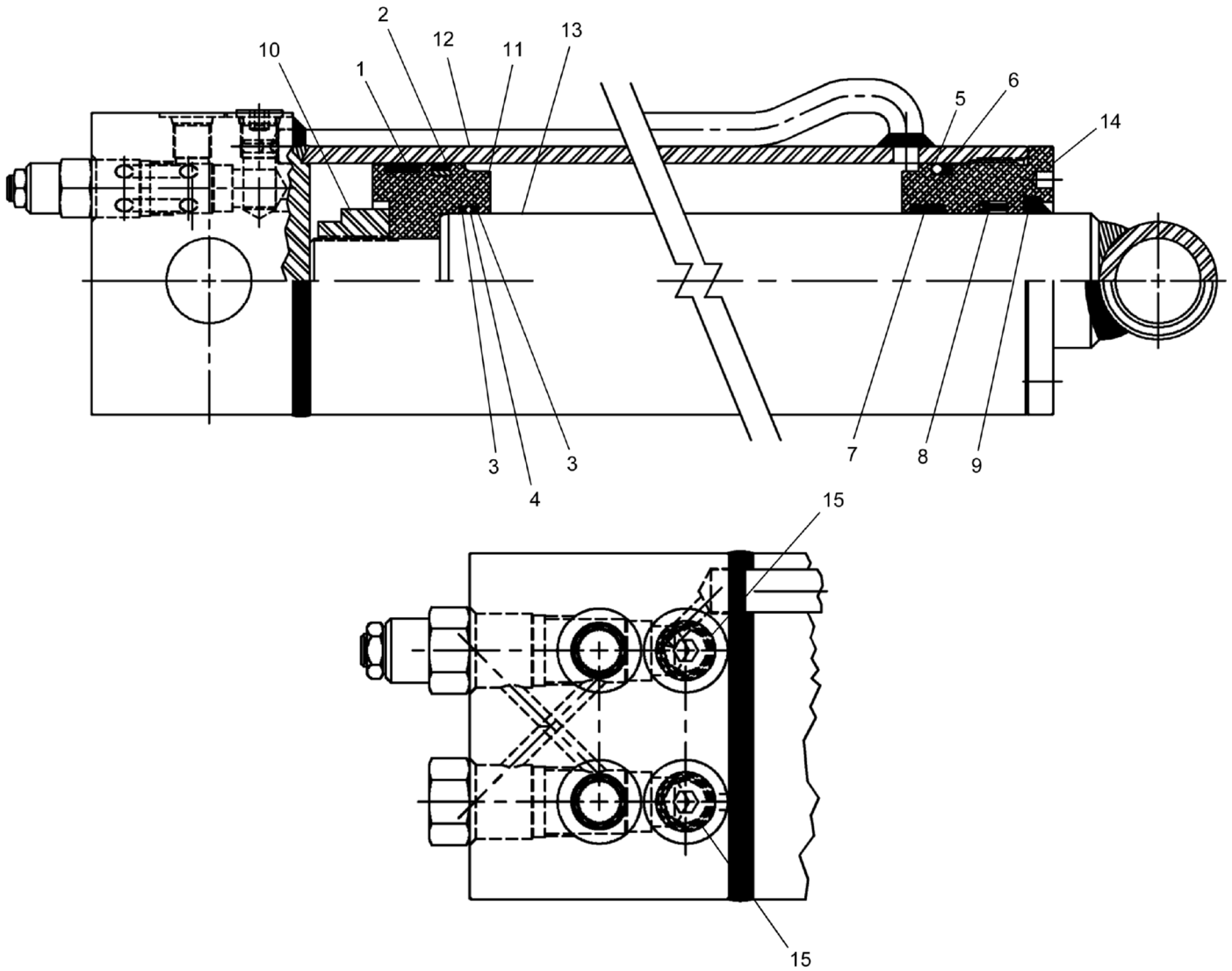
DATE: Revised 06-2016

MODEL: 35-100

PAGE: 190

CHAPTER

2



WHEN ORDERING PARTS, SPECIFY MODEL NUMBER, SERIAL NUMBER AND DESCRIPTION OF PARTS REQUIRED



FRONT JACK CYLINDER

DATE: Released 06-2016

MODEL: 35-100

PAGE: 191

CHAPTER

2

<u>REF</u>	<u>PART NO.</u>	<u>DESCRIPTION</u>	<u>QTY</u>
	540-20142 (Rev. 00)	<i>Jack Cylinder</i>	
	226098	Seal Kit (Items 1 thru 9)	1
1	226086	Wear Ring	1
2	226087	PSP Seal	1
3	226088	Back-Up Ring	2
4	226089	O'Ring	1
5	226090	O'Ring	1
6	226091	Back-Up Ring	1
7	218901	Wear Ring	1
8	226092	Loaded U-Cup	1
9	217985	Rod Wiper	1
10	226093	Locknut	1
11	226094	Piston	1
12	226095	Barrel Assembly	1
13	226096	Rod Assembly	1
14	226097	Internal Head	1
15	218693	Steel Plugs	2

WHEN ORDERING PARTS, SPECIFY MODEL NUMBER, SERIAL NUMBER AND DESCRIPTION OF PARTS REQUIRED



FRONT JACK CYLINDER

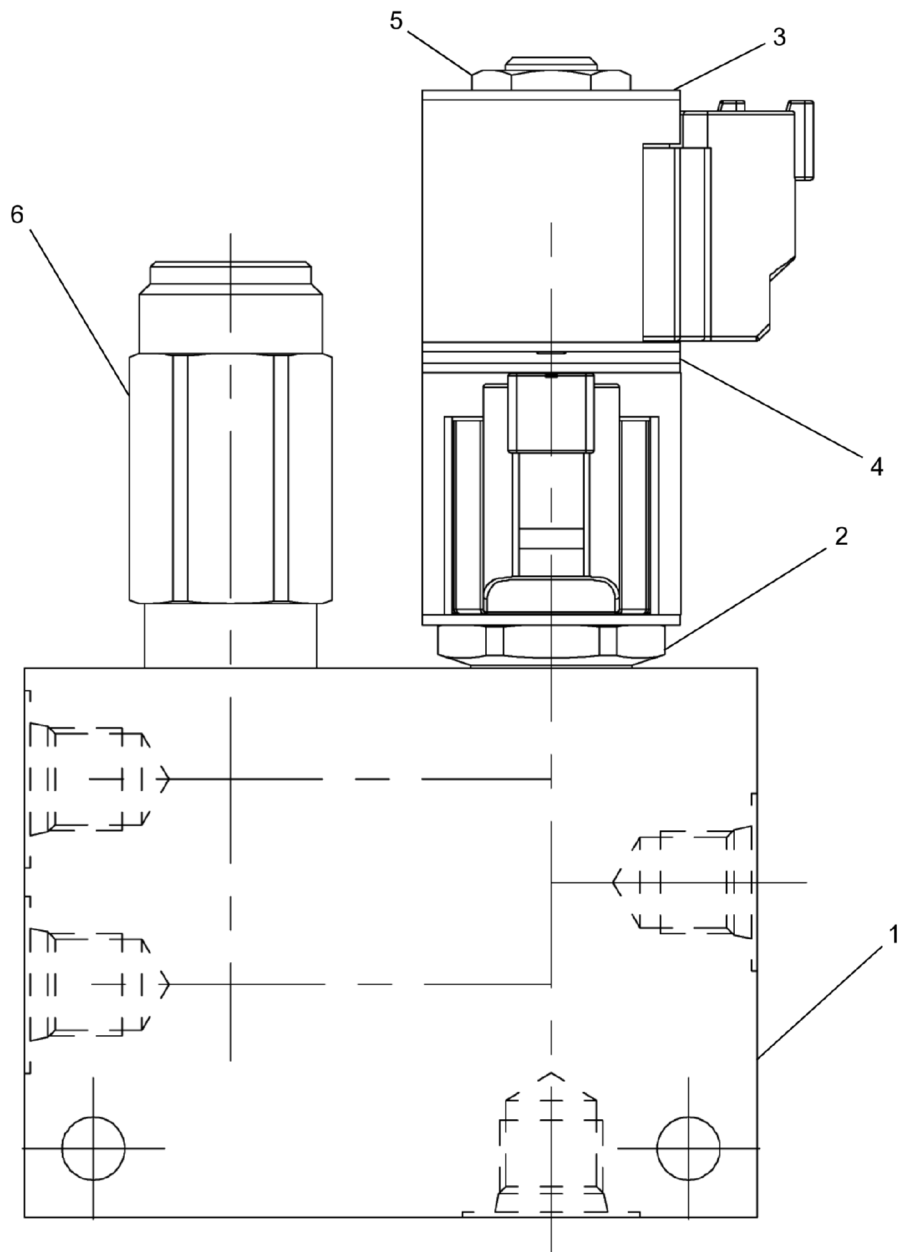
DATE: Released 06-2016

MODEL: 35-100

PAGE: 192

CHAPTER

2



<u>REF</u>	<u>PART NO.</u>	<u>DESCRIPTION</u>	<u>QTY</u>
	551-10142 (Rev. A)	Valve ASSY, SOL-O/R CONT	
1	Block	Block	1
2	226865	Cartridge	1
3	226864	Coil	2
4	226863	Spacer	1
5	223073	Nut	1
6	226862	Relief	1

WHEN ORDERING PARTS, SPECIFY MODEL NUMBER, SERIAL NUMBER AND DESCRIPTION OF PARTS REQUIRED



FRONT BUMPER OUTRIGGER VALVE

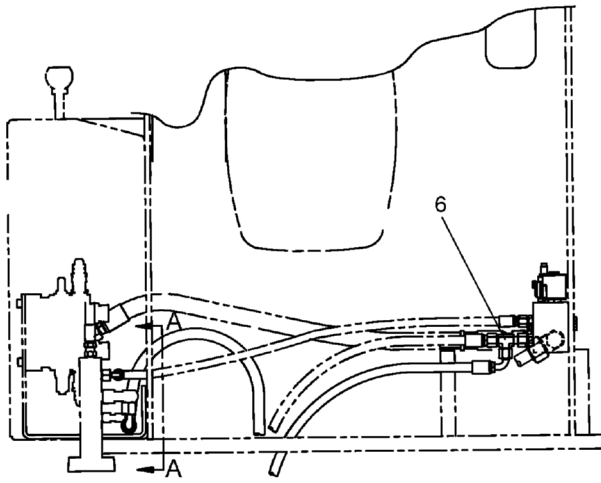
DATE: Released 10-2017

MODEL: 35-100

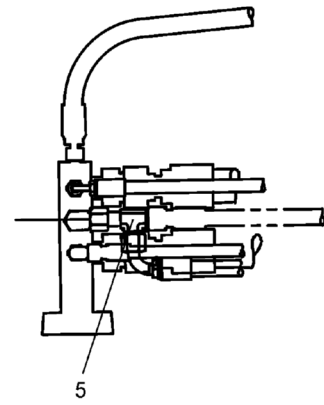
PAGE: 193

CHAPTER

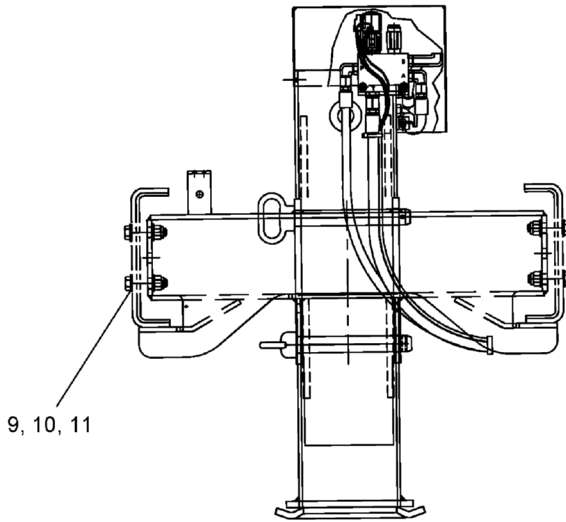
2



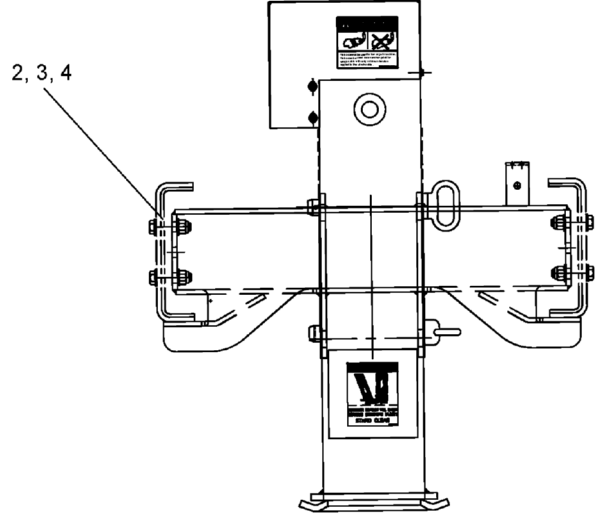
SIDE VIEW MAINFRAME



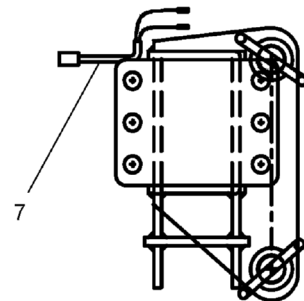
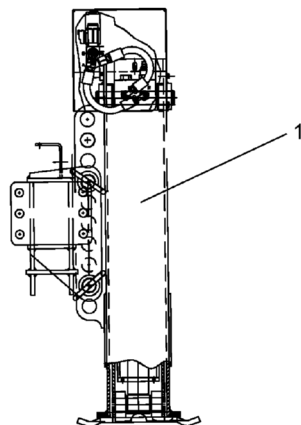
VIEW A - A



REAR VIEW OF FRONT MOUNTED O/R EXT FRAME



FRONT VIEW OF FRONT MOUNTED O/R EXT FRAME



FRONT JACK MOUNT

WHEN ORDERING PARTS, SPECIFY MODEL NUMBER, SERIAL NUMBER AND DESCRIPTION OF PARTS REQUIRED



ASSEMBLY, FRONT BUMPER (OUTRIGGER) 46" FRAME

DATE: Revised 10-2017

MODEL: 35-100

PAGE: 194

CHAPTER

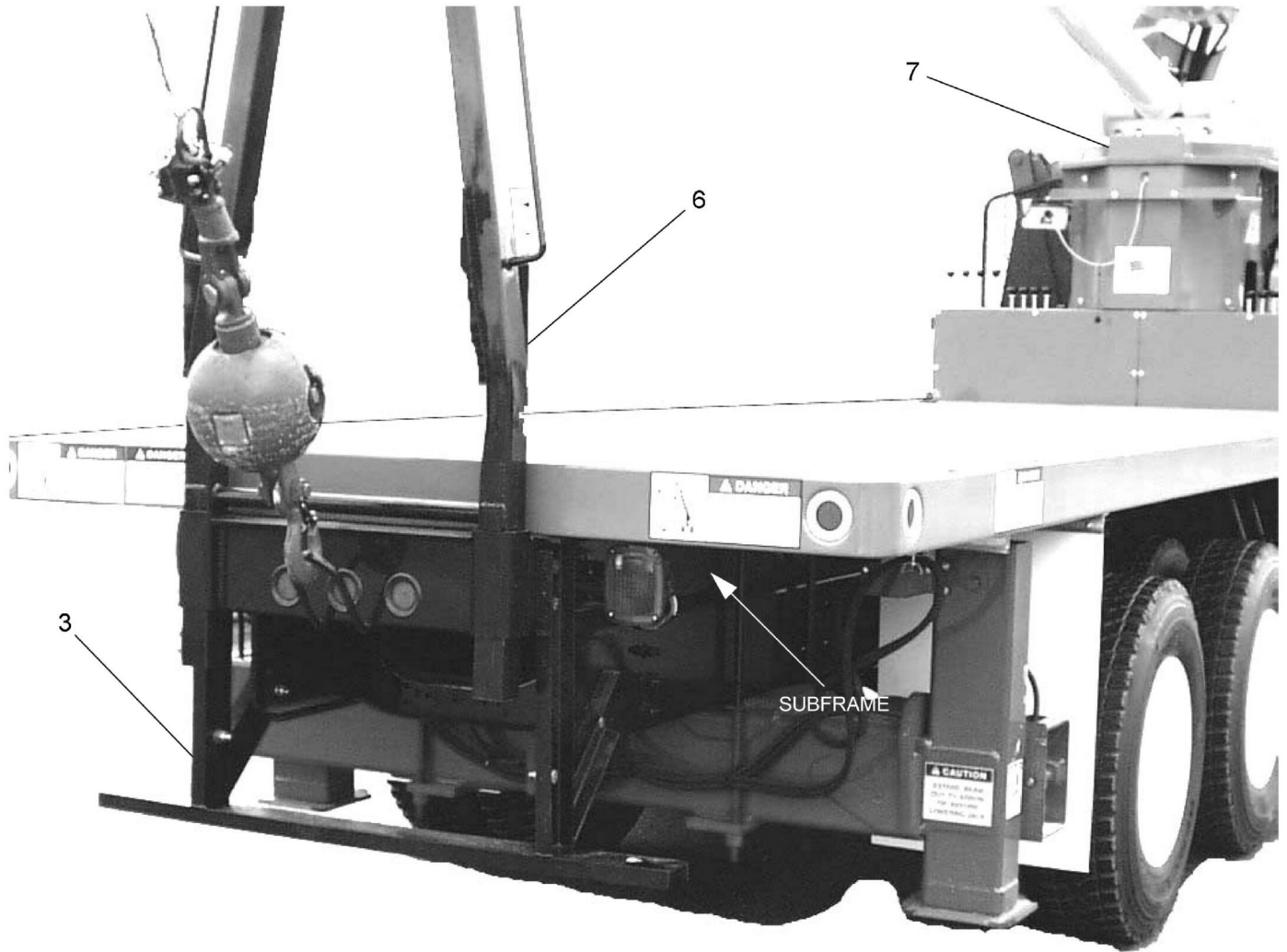
2

<u>REF</u>	<u>PART NO.</u>	<u>DESCRIPTION</u>	<u>QTY</u>
	T134658 (Rev. C)	46" EXT Frame ASSY Front Bumper O/R (BT)	
1	T135724	O/R Sub ASSY, Front Bumper (see page 190)	1
2	789-06043.3	1/8" Shim Plate	2
3	789-06044.3	1/4" Shim Plate	2
4	789-06045.3	3/8" Shim Plate	4
5	516-85004	Tee 2 X M#8 OFS X F#8 OFS	1
6	516-84003	Tee, 2X M#4 OFS X M#4 ORB	1
7	T135404	Wire Harness, Front Bumper O/R	1
8*	T128149	46" Front O/R MTG Bracket	1
9	WAJ-750X000-Y2	WSH, FL HRD A-REG 0.75, ST YZ	16
10	S01-750CC25-Y8	SCR, HHCS 0.75-10X3.25, ST YZ GR8	8
11	NYL-750C000-Y8	HEX Nut NYL-INS 0.75-10, ST Z GR8	8

* ITEM NOT SHOWN IN ILLUSTRATION

WHEN ORDERING PARTS, SPECIFY MODEL NUMBER, SERIAL NUMBER AND DESCRIPTION OF PARTS REQUIRED

	ASSEMBLY, FRONT BUMPER (OUTRIGGER) 46" FRAME	DATE: Revised 10-2017	CHAPTER 2
		MODEL: 35-100	
		PAGE: 195	



WHEN ORDERING PARTS, SPECIFY MODEL NUMBER, SERIAL NUMBER AND DESCRIPTION OF PARTS REQUIRED



SUBFRAME INSTALLATION

DATE: Released 11-2011

MODEL: 35-100

PAGE: 196

CHAPTER

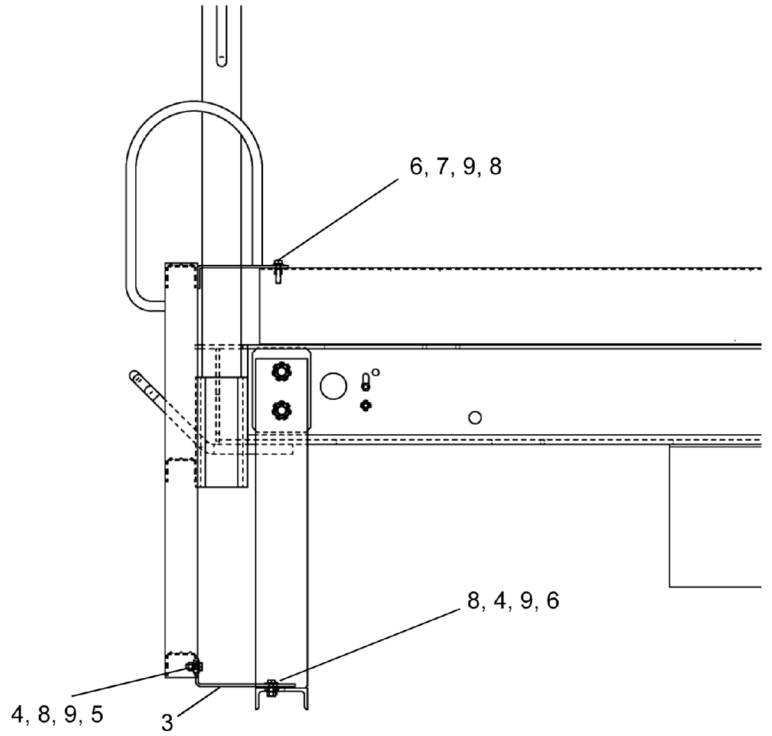
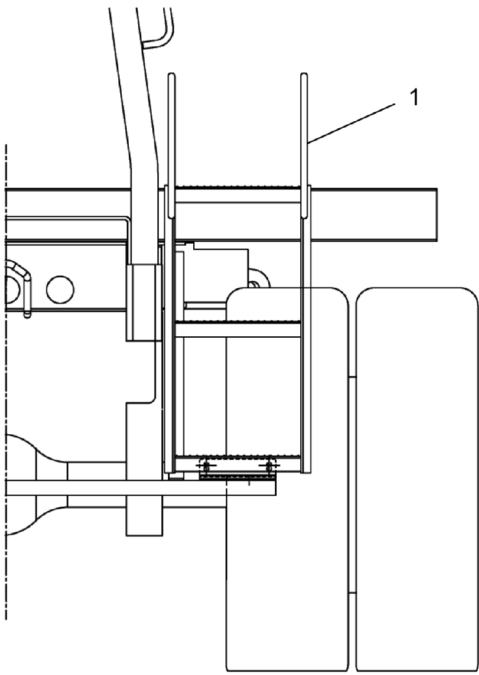
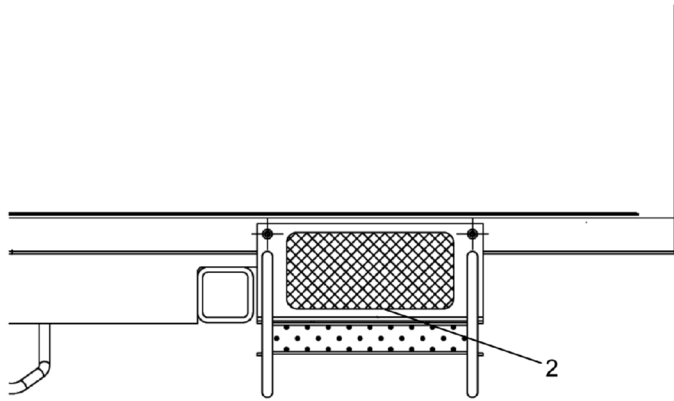
2

<u>REF</u>	<u>PART NO.</u>	<u>DESCRIPTION</u>	<u>QTY</u>
	7000-1SF-1* (Rev. 00)	<i>Subframe Options</i>	
1**	024-00008	INSTL, Ladder Kit, Steel Bed (see page 199)	1
2**	500-50020	Hydraulic Piping, AUX. O/R (see page 202)	1
3	600-95010	Rear Bumper Assembly (see page 204)	1
4**	691-00001	Subframe Electrical INSTL (see page 206)	1
5**	691-00003	Shear Plate Installation (see page 207)	1
6	698-00063-3	Boom Rest Assembly (see page 208)	1
7	700-00990-2	Mainframe INSTL (35-100) (see page 209)	1
8**	701-00705	S/F Weld 22 FT 35-100	1

* NOT PURCHASABLE AT THIS LEVEL
 ** ITEM NOT SHOWN IN ILLUSTRATION

WHEN ORDERING PARTS, SPECIFY MODEL NUMBER, SERIAL NUMBER AND DESCRIPTION OF PARTS REQUIRED

	<h2>SUBFRAME INSTALLATION</h2>	DATE: Released 11-2011	CHAPTER 2
		MODEL: 35-100	
		PAGE: 197	



WHEN ORDERING PARTS, SPECIFY MODEL NUMBER, SERIAL NUMBER AND DESCRIPTION OF PARTS REQUIRED



LADDER KIT, STEEL BED

DATE: Released 12-2013

MODEL: 35-100

PAGE: 198

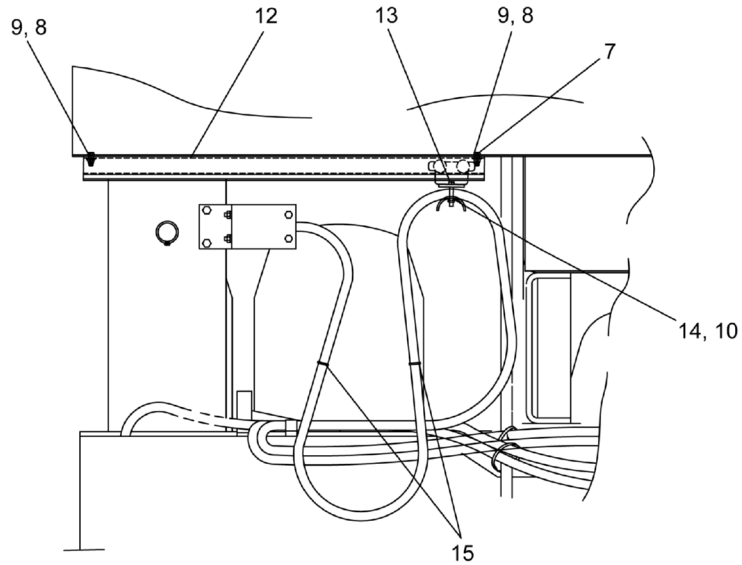
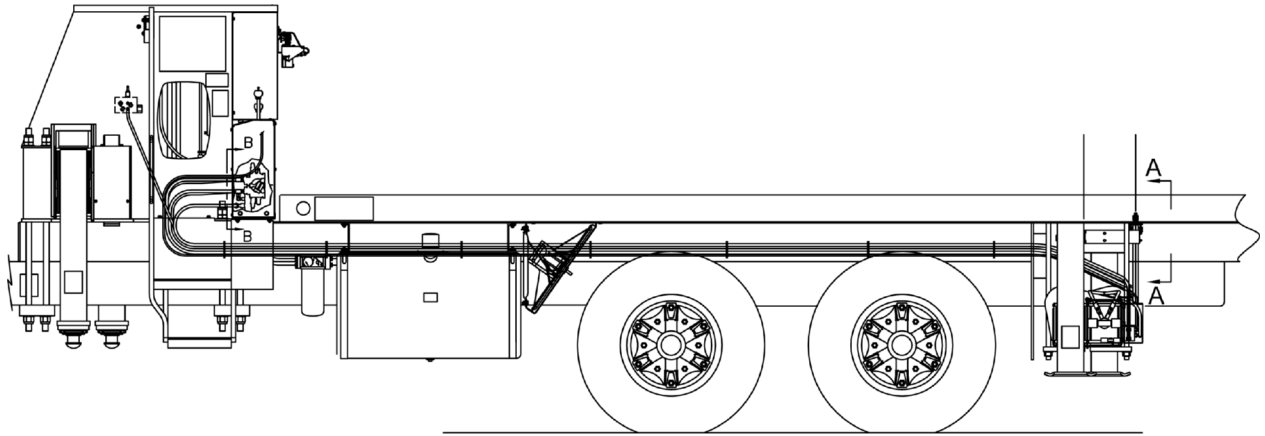
CHAPTER

2

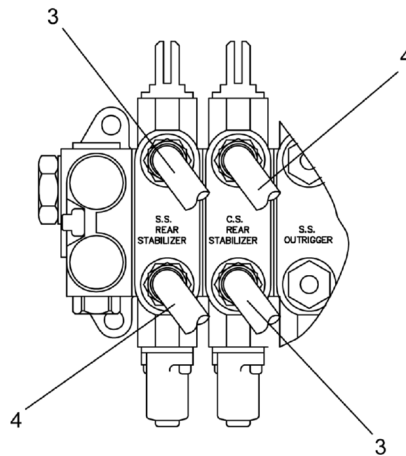
<u>REF</u>	<u>PART NO.</u>	<u>DESCRIPTION</u>	<u>QTY</u>
	024-00008 (Rev. B)	<i>INSTL, Ladder Kit, Steel Bed</i>	
1	024-00009	Ladder Weldment	1
2	209-00871	Anti Slip Tape, Ladder	1
3	789-05812	Ladder SPT BRKT	1
4	N04-375C000-25	Nut, HEX 0.375-16 ST Z GR5	4
5	SHF-375CA00-25	SCR, HHCS FT 0.375-16 X 1.00, ST SQC G5	4
6	SHF-375CA50-25	SCR, HHCS FT 0.375-16 X 1.50, ST SQC G5	2
7	T11-375C000-CD	Thread-SERT 0.375-16, ST CAD	2
8	W07-375X000-20	WSH, LCK, MED SPLT 0.375, ST Z	6
9	WBR-37RXA00-20	WSH, FL TYPB-REG 0.375, ST SQC	10

WHEN ORDERING PARTS, SPECIFY MODEL NUMBER, SERIAL NUMBER AND DESCRIPTION OF PARTS REQUIRED

	<h2>LADDER KIT, STEEL BED</h2>	DATE: Released 12-2013	CHAPTER 2
		MODEL: 35-100	
		PAGE: 199	



VIEW A-A



VIEW B-B

WHEN ORDERING PARTS, SPECIFY MODEL NUMBER, SERIAL NUMBER AND DESCRIPTION OF PARTS REQUIRED



HYDRAULIC PIPING, AUX O/R

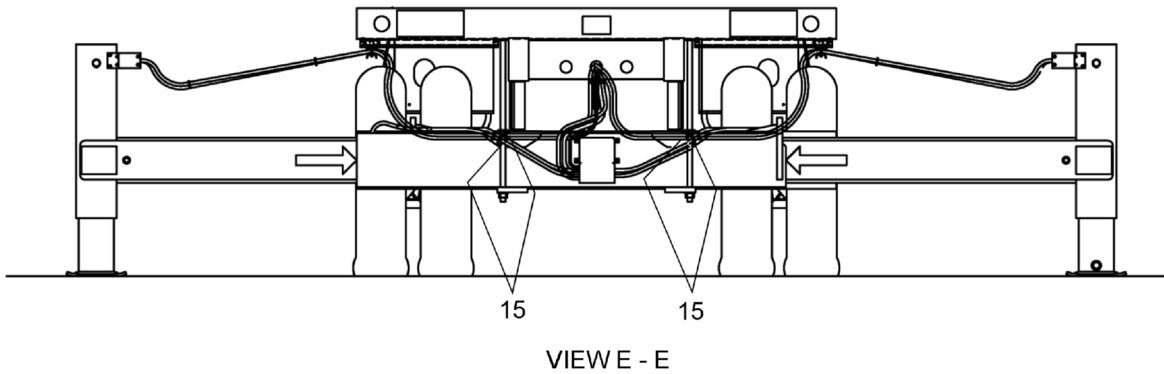
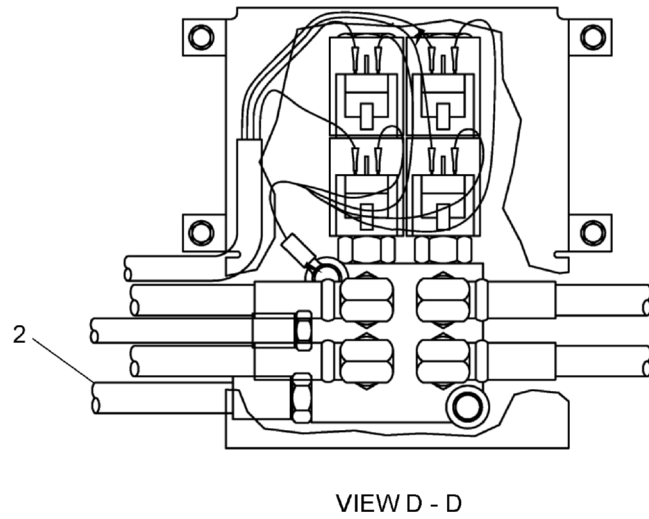
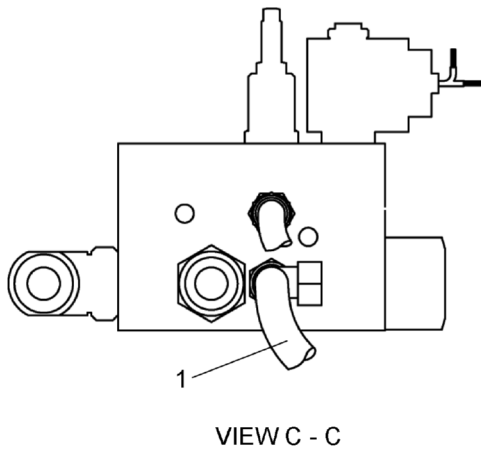
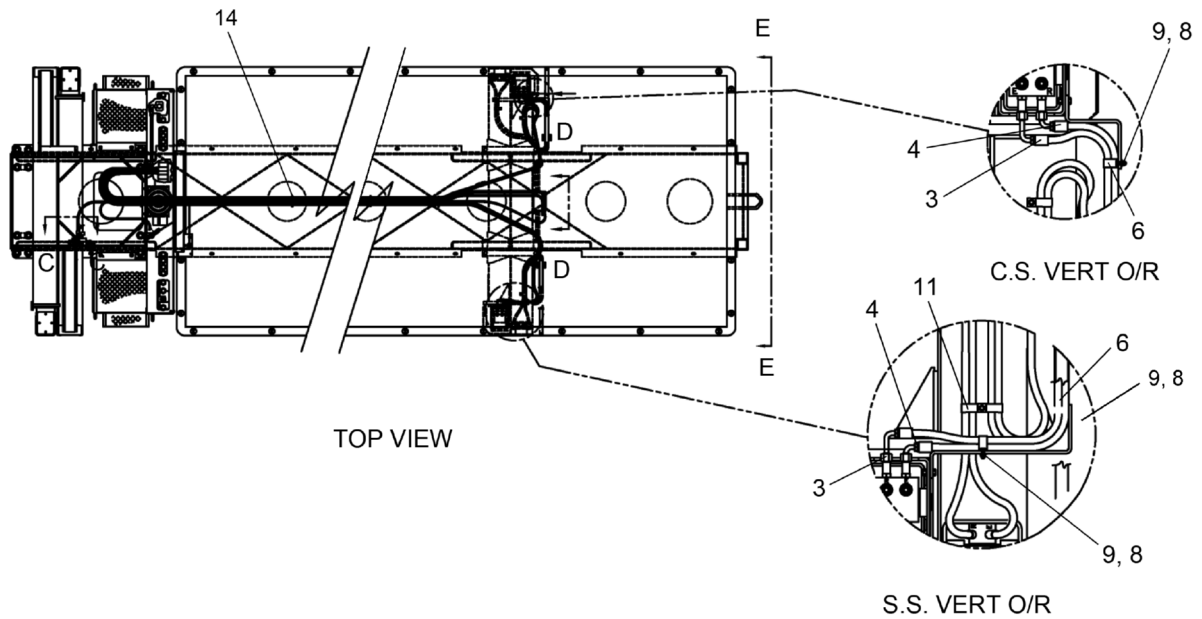
DATE: Revised 05-2018

MODEL: 35-100

PAGE: 200

CHAPTER

2



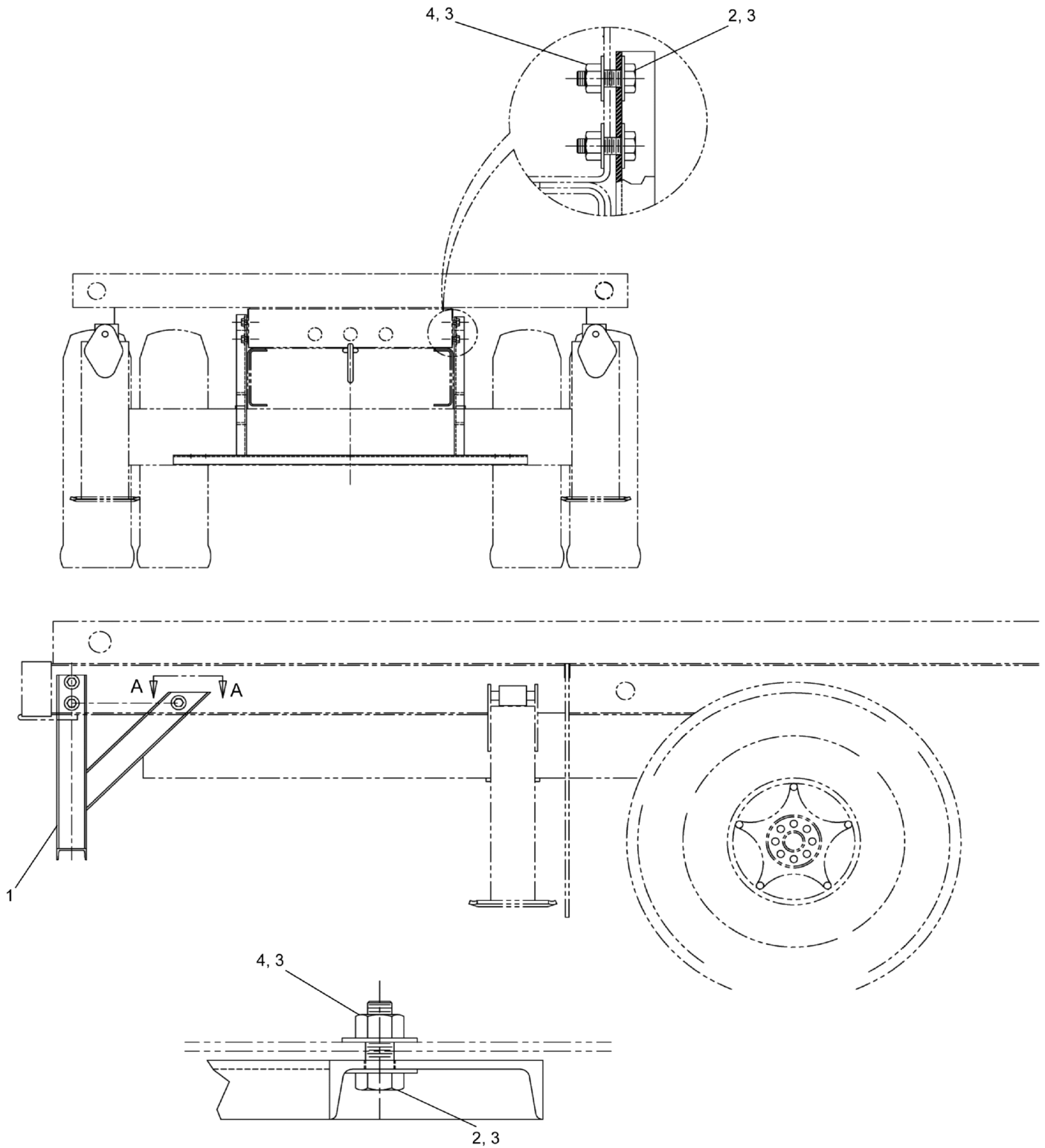
WHEN ORDERING PARTS, SPECIFY MODEL NUMBER, SERIAL NUMBER AND DESCRIPTION OF PARTS REQUIRED

<u>REF</u>	<u>PART NO.</u>	<u>DESCRIPTION</u>	<u>QTY</u>
	500-50020 (Rev. K)	<i>Hydraulic Piping, AUX. O/R</i>	
1	502-20798	Hose ASSY, AUX O/R VLV-SUPLY	1
2	502-30586	Hose ASSY, AUX O/R VLV Return	1
3	502-20973	Hose ASSY, VERT AUX O/R	2
4	502-20974	Hose ASSY, VERT AUX O/R	2
5*	503-94003	Hose Kit, AUX. Outriggers (Includes Items 1 thru 4)	1
6	201-00167	Clamp, DBL. Hose	3
7	783-03723	Track Mount BAR-Long	2
8	WAN-25NX000-20	WSH, FL TYP A NRW 0.25, ST Z	10
9	SHF-250C750-25	SCR, HHCS, FT 0.25-20 X 0.75, ST SQC G5	10
10	NYL-250C000-25	Nut, HEX NYL-INS 0.25-20, ST SQC G5	14
11	200B2007-54	Clamp 5/8 DBL	2
12	774-00046	Track, Hose Trolley	2
13	774-00047	Trolley, Hose	2
14	S01-250CA25-25	SCR, HHCS 0.25-20 X 1.25, ST SQC G5	4
15	400-15088	Cable Tie, Nylon 11 15/32	8

* ITEM NOT SHOWN IN ILLUSTRATION

WHEN ORDERING PARTS, SPECIFY MODEL NUMBER, SERIAL NUMBER AND DESCRIPTION OF PARTS REQUIRED

	HYDRAULIC PIPING, AUX O/R	DATE: Revised 05-2018	CHAPTER 2
		MODEL: 35-100	
		PAGE: 202	



SECTION A-A

WHEN ORDERING PARTS, SPECIFY MODEL NUMBER, SERIAL NUMBER AND DESCRIPTION OF PARTS REQUIRED



REAR BUMPER ASSEMBLY

DATE: Revised 05-2018

MODEL: 35-100

PAGE: 203

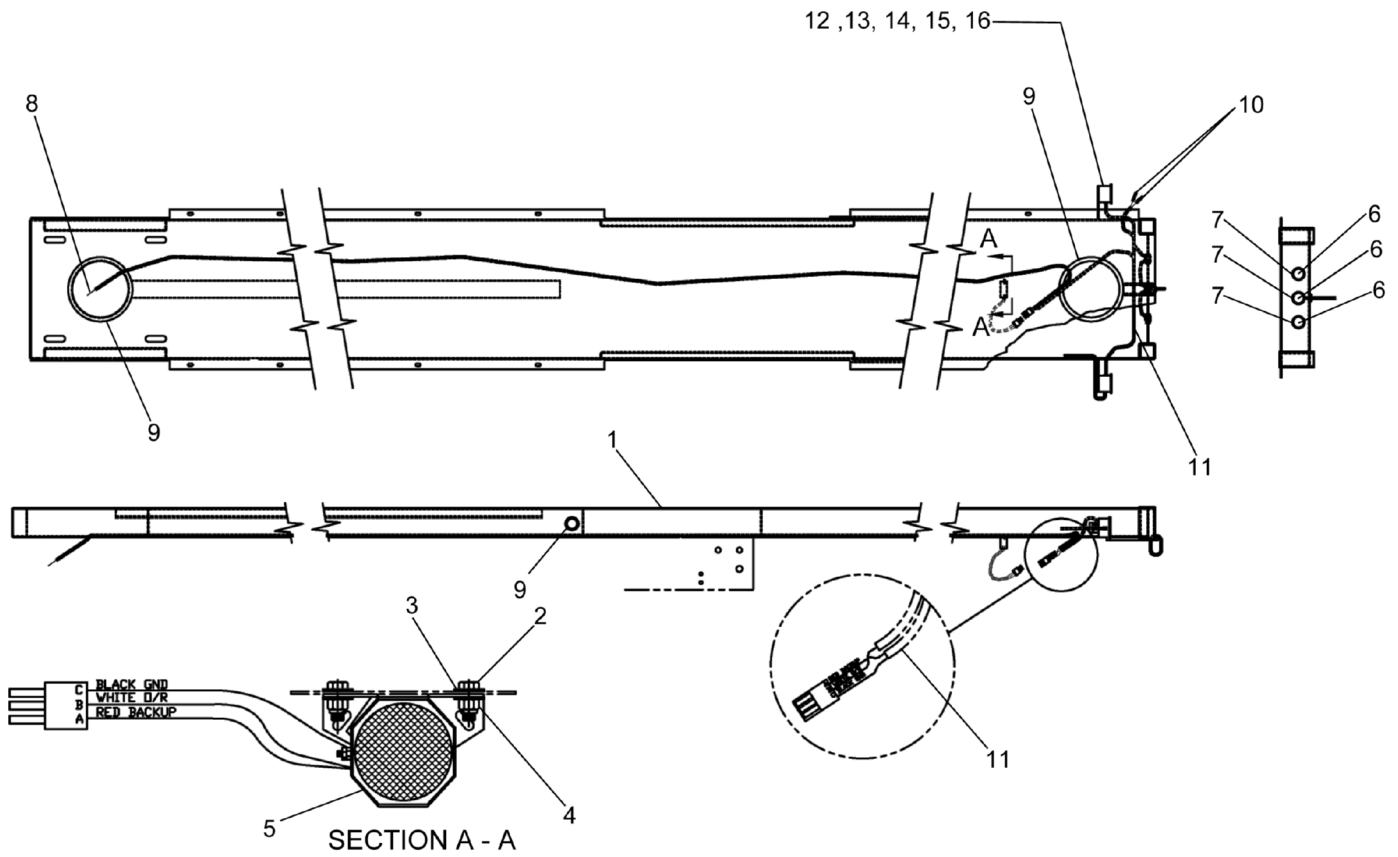
CHAPTER

2

<u>REF</u>	<u>PART NO.</u>	<u>DESCRIPTION</u>	<u>QTY</u>
	600-95010 (Rev. B)	<i>Rear Bumper Assembly</i>	
1	600-22111	Bumper Channel Horizontal	1
2	SHF-750CB00-Y8	SCR, HHCS FT 0.75-10 X 2.00, ST SQC G8	16
3	WAH-75NX000-20	WSH, FL HRD A-NRW 0.75 ST SQC	12
4	NTP-750C000-25	Nut, HEX TPLCK 0.75-10, ST SQC G5	6

WHEN ORDERING PARTS, SPECIFY MODEL NUMBER, SERIAL NUMBER AND DESCRIPTION OF PARTS REQUIRED

 <small>BY CUSTOM TRUCK SOURCE</small>	<h2>REAR BUMPER ASSEMBLY</h2>	DATE: Revised 05-2018	CHAPTER 2
		MODEL: 35-100	
		PAGE: 204	



WHEN ORDERING PARTS, SPECIFY MODEL NUMBER, SERIAL NUMBER AND DESCRIPTION OF PARTS REQUIRED



SUBFRAME ELECTRICAL INSTALLATION

DATE: Revised 01-2015

MODEL: 35-100

PAGE: 205

CHAPTER

2

<u>REF</u>	<u>PART NO.</u>	<u>DESCRIPTION</u>	<u>QTY</u>
	691-00001 (Rev. Q)	<i>Subframe Electrical INSTL</i>	
1	Boom Trucks	Subframe Weldment	REF
2	SHF-250CA00-25	SCR, HHCS, FT 0.25-20 X 1.00, ST Z GR5	2
3	WBR-25RX734-20	WSH, FL TYPB-REG 0.25, ST SQC	2
4	NYL-250C000-25	Nut, HEX NYL-INS 0.25-20, ST SQC G5	2
5	714A1432	Horn ASSY, ECCO #DF532	1
6	400-09113	Light, 2 1/2" Red Reflectized, TL#10205R	3
7	400-09318	Grommet, 2 1/2", LITE & 3" Hole TL#10704	3
8	400-02323	Terminal Ring, #8-16/14 GA	1
9	209-00174	Seal Trim (106 Inches)	8.8FT
10	400-02230	Terminal-Butt Connection 16/14 GA	2
11	400-25163	Wire Harness, Tail Light-Alarm-O/R	1
12	789-05681	Bracket, Tail Light	2
13	SHF-312CA25-25	SCR, HHCS FT 0.312-18 X 1.25, ST SQC G5	4
14	WBR-31RX875-20	WSH, FL TYPB-REG 0.3125, ST SQC	8
15	W07-312X000-20	WSH, LCK, MED SPLT 0.3125, ST SQC	4
16	N04-312C000-25	Nut, HEX 0.3125-18 ST SQC G5	4

WHEN ORDERING PARTS, SPECIFY MODEL NUMBER, SERIAL NUMBER AND DESCRIPTION OF PARTS REQUIRED



SUBFRAME ELECTRICAL INSTALLATION

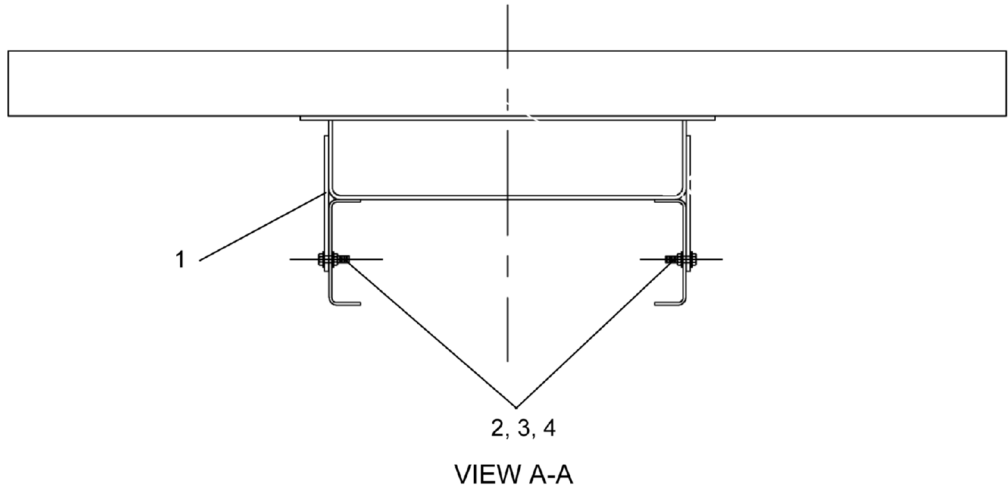
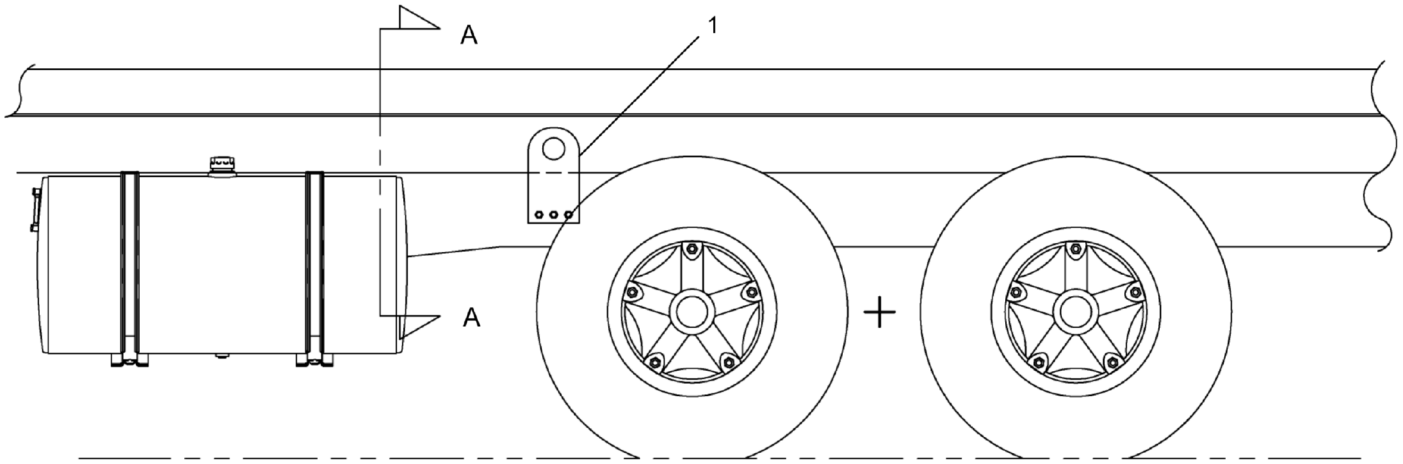
DATE: Revised 01-2015

MODEL: 35-100

PAGE: 206

CHAPTER

2



<u>REF</u>	<u>PART NO.</u>	<u>DESCRIPTION</u>	<u>QTY</u>
	691-00003 (Rev. D)	<i>Shear Plate Installation</i>	
1	709-01251	Shear Plate	2
2	S01-625CB50-Y8	SCR, HHCS 0.625-11 X 2.50, ST SQC G8	6
3	WAH-62NX000-20	WSH, FL HRD A-NRW 0.625 ST SQC	12
4	NYH-625C000-22	Nut, NYL-INS HVY 0.625-11, ST SQC G2	6

WHEN ORDERING PARTS, SPECIFY MODEL NUMBER, SERIAL NUMBER AND DESCRIPTION OF PARTS REQUIRED



SHEAR PLATE INSTALLATION

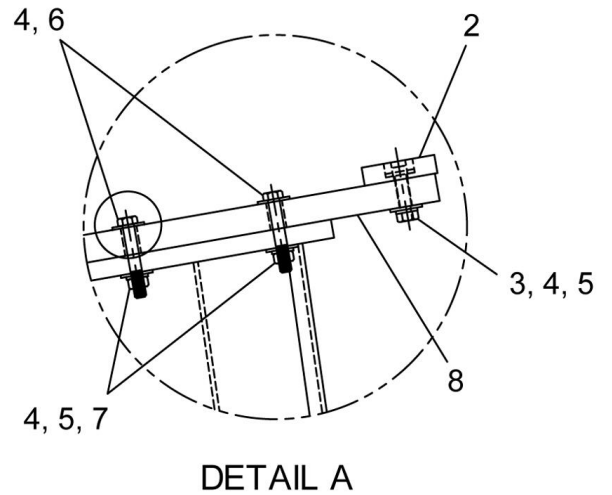
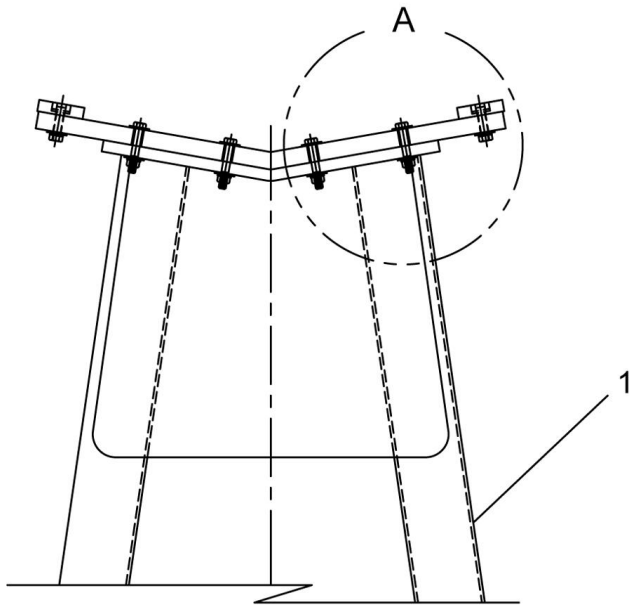
DATE: Revised 05-2018

MODEL: 35-100

PAGE: 207

CHAPTER

2



<u>REF</u>	<u>PART NO.</u>	<u>DESCRIPTION</u>	<u>QTY</u>
	698-00063-3 (Rev. B)	<i>Boom Rest Assembly</i>	
1	709-01212	Boom Rest Weld	1
2	729-02175	Wear Pad 2 X 6 PLYSRT (00765)	2
3	S01-312CA25-25	SCR, HHCS, 0.3125-18 X 1.25, ST Z G5	4
4	WAN-31NX000-20	WSH, FL TYP A-NRW 0.3125, ST Z	20
5	W07-312X000-20	WSH, LCK, MED SPLT 0.3125, ST SQC	12
6	S01-312CB00-25	SCR, HHCS 0.3125-18 X 2.00, ST SQC G5	8
7	N04-312C000-25	Nut, HEX 0.3125-18 ST SQC G5	8
8	709-01318	Support Plate, Boom Rest	1

WHEN ORDERING PARTS, SPECIFY MODEL NUMBER, SERIAL NUMBER AND DESCRIPTION OF PARTS REQUIRED



BOOM REST ASSEMBLY

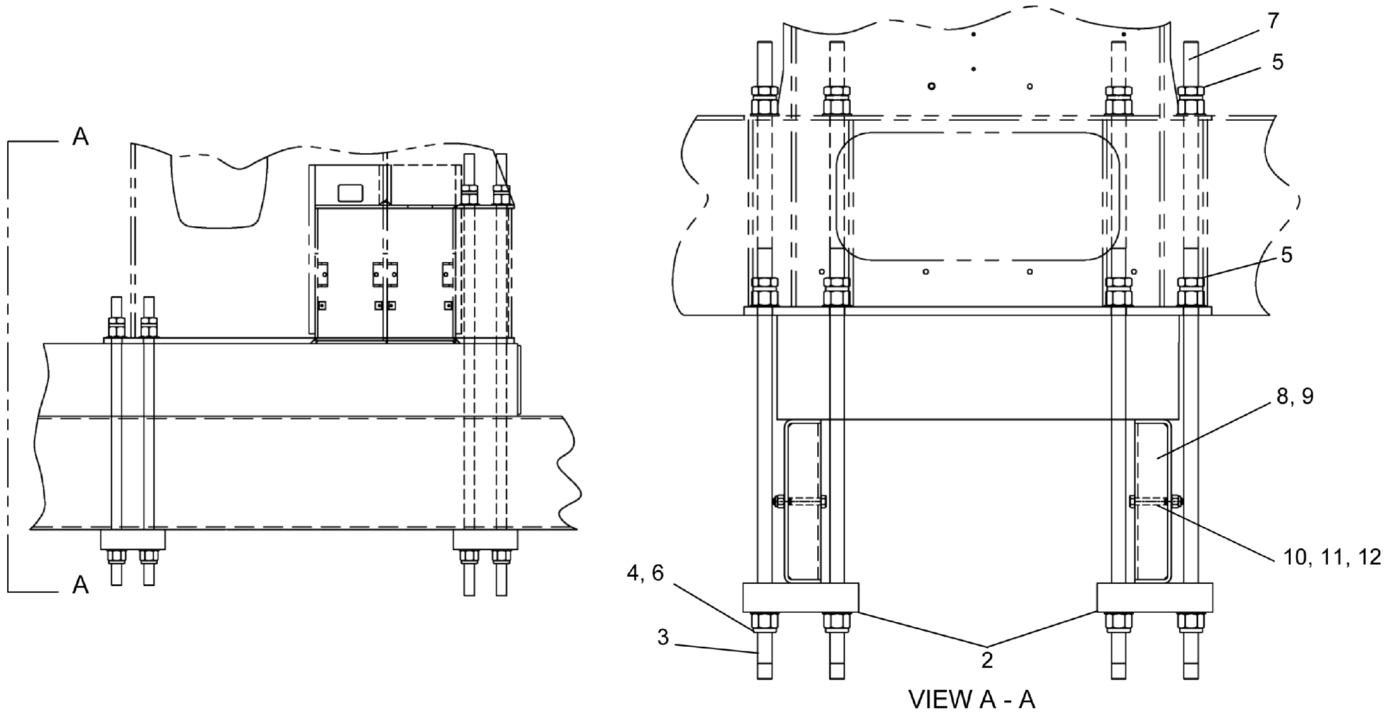
DATE: Revised 04-2018

MODEL: 35-100

PAGE: 208

CHAPTER

2



WHEN ORDERING PARTS, SPECIFY MODEL NUMBER, SERIAL NUMBER AND DESCRIPTION OF PARTS REQUIRED



MAINFRAME TURRET INSTALLATION

DATE: Released 11-2011

MODEL: 35-100

PAGE: 209

CHAPTER

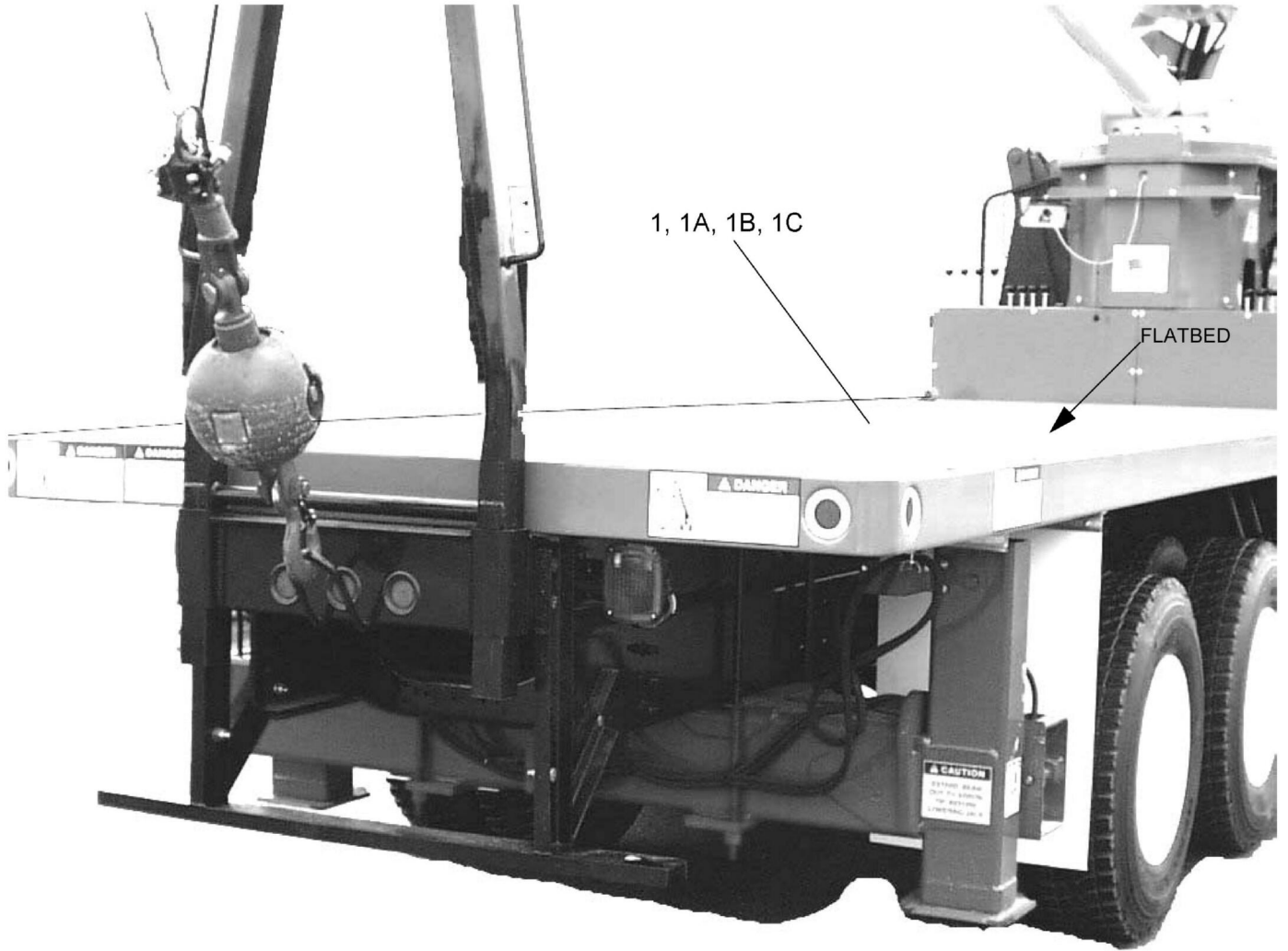
2

<u>REF</u>	<u>PART NO.</u>	<u>DESCRIPTION</u> <i>Mainframe INSTL (35-100)</i>	<u>QTY</u>
	700-00990-2 (Rev. C)		
1*	709-01902-1	Frame Stiffener 9.50" (021-40046)	A/R
2	783-02895	Clamp Bar	4
3	220-09078	Tiedown Stud 1-1/4 NF X 30.	8
4	NYH-A25F000-22	Nut, NYL-INS HVY 1.25-12, ST Z.	32
5	N05-A25F000-Y8	Nut, HEX Jam 1.25-12 ST YZ GR8	16
6	WAH-A2NX000-Y2	WSH, FL HRD A-NRW 1.25 ST YZ	32
7	220-09111	Tiedown Stud 1-1/4 NF X 46.	8
8	709-01902-2	Frame Stiffener 9.63" (021-40042)	4
9	709-01902-3	Frame Stiffener 9.75" (021-40051)	A/R
10	S01-625CD00-25	SCR, HHCS 0.625-11X4.00, ST Z GR5	4
11	NYL-625C000-25	Nut, HEX NYL-INS 0.625-11, ST SQC G5	4
12	WAH-62NX000-Y2	WSH, FL HRD A-NRW 0.625 ST YZ	8

* ITEM NOT SHOWN IN ILLUSTRATION

WHEN ORDERING PARTS, SPECIFY MODEL NUMBER, SERIAL NUMBER AND DESCRIPTION OF PARTS REQUIRED

	MAINFRAME TURRET INSTALLATION	DATE: Released 11-2011	CHAPTER 2
		MODEL: 35-100	
		PAGE: 210	



WHEN ORDERING PARTS, SPECIFY MODEL NUMBER, SERIAL NUMBER AND DESCRIPTION OF PARTS REQUIRED



FLATBED OPTIONS

DATE: Revised 10-2007

MODEL: 35-100

PAGE: 211

CHAPTER

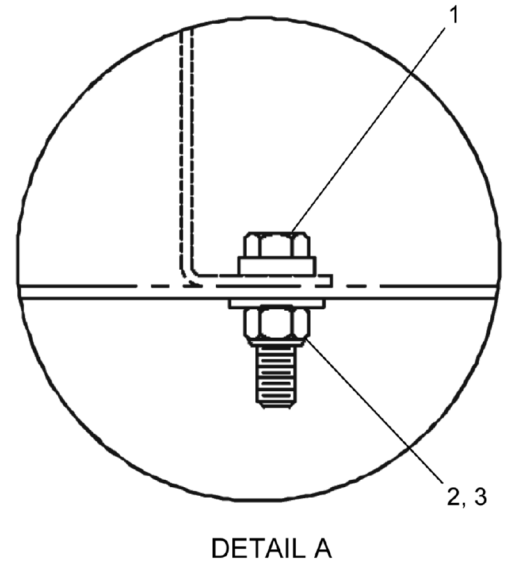
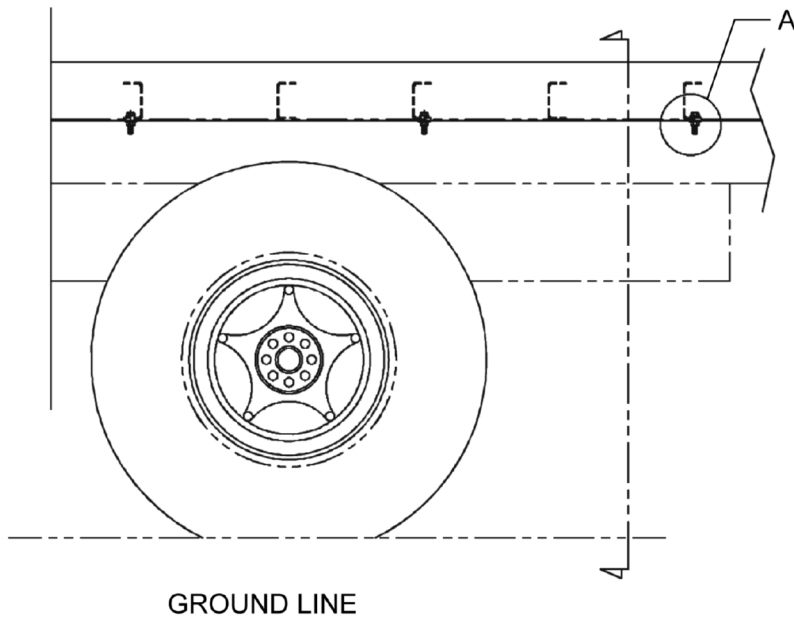
2

REF	PART NO.	DESCRIPTION	QTY
	35-100-FLATBED* (Rev. 00) 35-100 - 22' Flatbed Options		
1	22STEEL-STD	22' Steel STD Flatbed	1
1.1	600-38215	22' Steel Standard Duty	1
1.2	696-00032-1	Flatbed INSTL (see page 213)	1
1A	22WOOD-STD	22' Wood STD Flatbed	1
1A.1	600-38210	22' Wood Standard Duty	1
1A.2	696-00032-1	Flatbed INSTL (see page 213)	1
1B	22STEEL-SUPER	22' Steel Super Duty Flatbed	1
1B.1	600-38224	22' Steel Super-Duty (3/16")	1
1B.2	696-00032-2	SUP Duty Flatbed INSTL (see page 214)	1
1C	22WOOD-SUPER	22' Wood Super Duty Flatbed	1
1C.1	600-38222	22' Wood Super Duty	1
1C.2	696-00032-2	SUP Duty Flatbed INSTL (see page 214)	1

* NOT PURCHASABLE AT THIS LEVEL

WHEN ORDERING PARTS, SPECIFY MODEL NUMBER, SERIAL NUMBER AND DESCRIPTION OF PARTS REQUIRED

	<h2>FLATBED OPTIONS</h2>	DATE: Revised 10-2007	CHAPTER 2
		MODEL: 35-100	
		PAGE: 212	



<u>REF</u>	<u>PART NO.</u>	<u>DESCRIPTION</u>	<u>QTY</u>
	696-00032-1 (Rev. C)	<i>Flatbed INSTL</i>	
1	709-01925	Flatbed Bolt Weld 1/2-13 X 2.00 GR5	12
1.1*	783-01239	SUPP Bar DET-Flatbed Tie	12
2	NYL-500C000-25	Nut, HEX NYL-INS 0.50-13, ST SQC G5	12
3	WAN-50NX000-20	WSH, FLTYPA-NRW 0.50, ST Z	12
4*	783-03723	Track Mount BAR-Long	2

* ITEM NOT SHOWN IN ILLUSTRATION

WHEN ORDERING PARTS, SPECIFY MODEL NUMBER, SERIAL NUMBER AND DESCRIPTION OF PARTS REQUIRED



FLATBED INSTALLATION (STD DUTY)

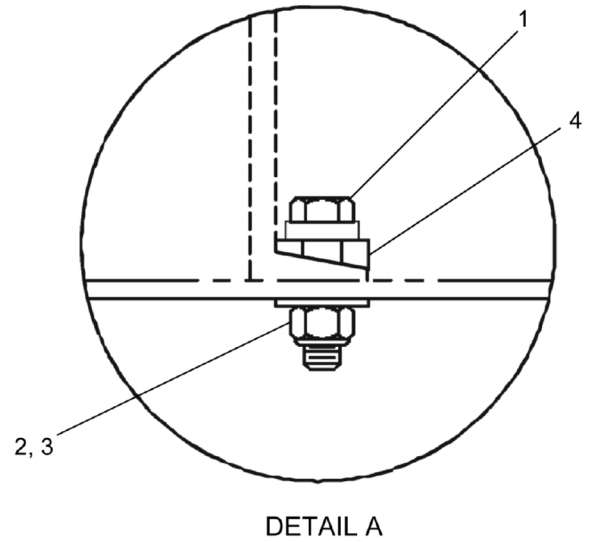
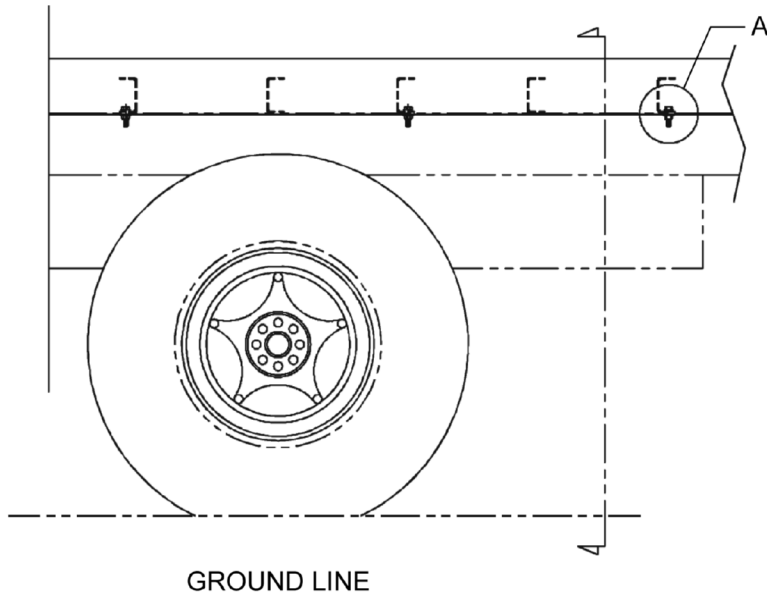
DATE: Revised 19-2017

MODEL: 35-100

PAGE: 213

CHAPTER

2



<u>REF</u>	<u>PART NO.</u>	<u>DESCRIPTION</u>	<u>QTY</u>
	696-00032-2 (Rev. D)	<i>SUP Duty Flatbed INSTL</i>	
1	709-01925	Flatbed Bolt Weld 1/2-13 X 2.00 GR5	12
1.1*	783-01239	SUPP Bar DET-Flatbed Tie	12
2	NYL-500C000-25	Nut, HEX NYL-INS 0.50-13, ST SQC G5	12
3	WAN-50NX000-20	WSH, FLTYPA-NRW 0.50, ST Z	12
4	WBV-500X001	Bevel Washer 1/2 Galvanize	12

* ITEM NOT SHOWN IN ILLUSTRATION

WHEN ORDERING PARTS, SPECIFY MODEL NUMBER, SERIAL NUMBER AND DESCRIPTION OF PARTS REQUIRED



FLATBED INSTALLATION (SUPER DUTY)

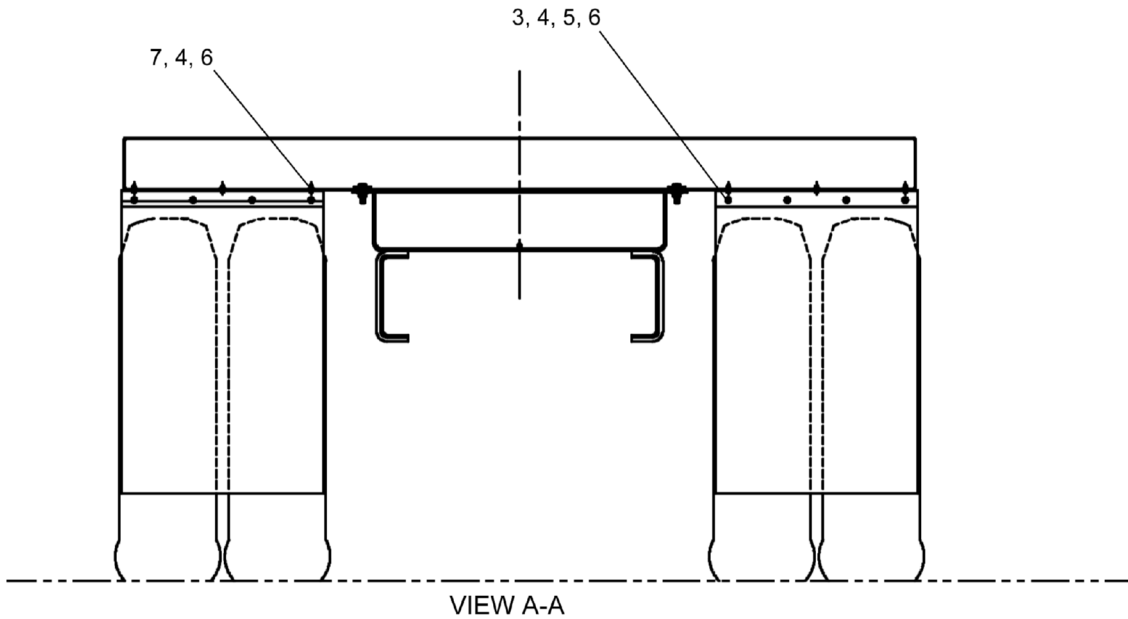
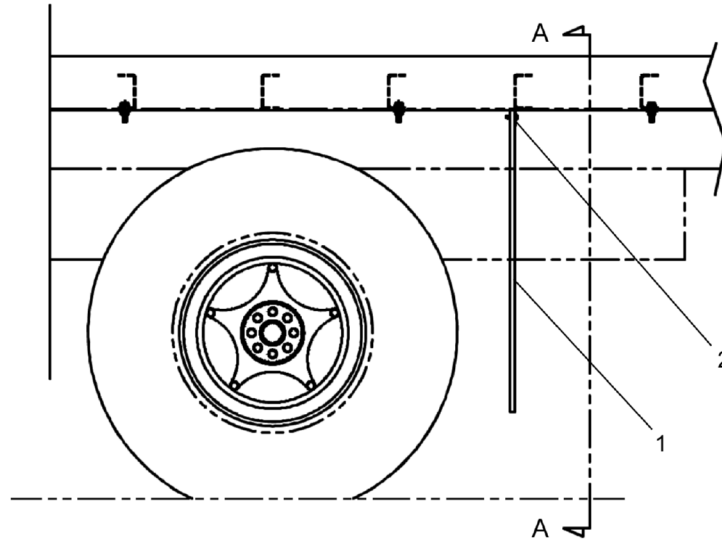
DATE: Revised 10-2016

MODEL: 35-100

PAGE: 214

CHAPTER

2



<u>REF</u>	<u>PART NO.</u>	<u>DESCRIPTION</u>	<u>QTY</u>
	T151475 (Rev. A)	<i>Brackets W/Mud Flaps</i>	
1	209-00461	Mud Flap, 1/2 X 24 X 36 Logo WHT	2
2	785-00561	Angle, Support Mud Flap	2
3	S01-250CA25-25	SCR, HHCS 0.25-20 X 1.25, ST SQC G5	14
4	NYL-25C000-25	Nut, HEX NYL-INS 0.25-20, ST Z	14
5	WFD-250XA50-20	WSH, FNDR 0.25 X 1.50, ST SQC	8
6	WAN-25NX000-20	WSH, FL TYP A NRW 0.25, ST Z	14
7	SHF-250C750-25	SCR, HHCS, FT 0.25-20 X 0.75, ST SQC G5	6

WHEN ORDERING PARTS, SPECIFY MODEL NUMBER, SERIAL NUMBER AND DESCRIPTION OF PARTS REQUIRED



BRACKETS WITH MUD FLAPS (OPTION 1)

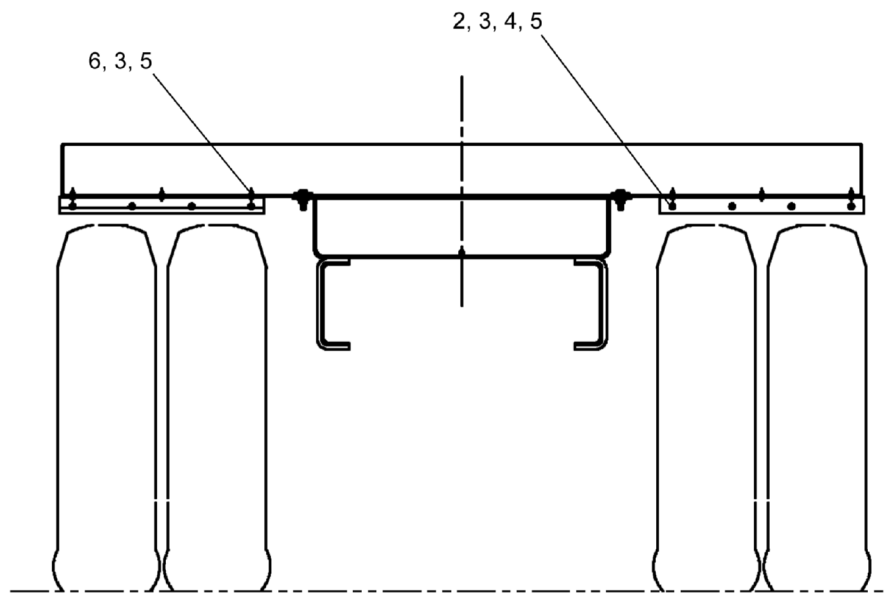
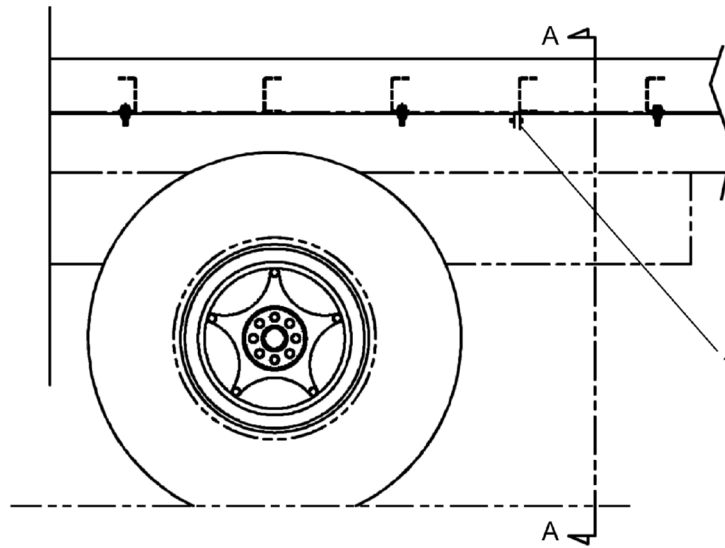
DATE: Released 10-2016

MODEL: 35-100

PAGE: 215

CHAPTER

2



VIEW A-A

<u>REF</u>	<u>PART NO.</u>	<u>DESCRIPTION</u>	<u>QTY</u>
	T152436 (Rev. A)	<i>Brackets W/O Mud Flaps</i>	
1	785-00561	Angle, Support Mud Flap	2
2	S01-250CA25-25	SCR, HHCS 0.25-20 X 1.25, ST SQC G5	14
3	NYL-25C000-25	Nut, HEX NYL-INS 0.25-20, ST Z	14
4	WFD-250XA50-20	WSH, FNDR 0.25 X 1.50, ST SQC	8
5	WAN-25NX000-20	WSH, FL TYP A NRW 0.25, ST Z	14
6	SHF-250C750-25	SCR, HHCS, FT 0.25-20 X 0.75, ST SQC G5	6

WHEN ORDERING PARTS, SPECIFY MODEL NUMBER, SERIAL NUMBER AND DESCRIPTION OF PARTS REQUIRED



BRACKETS W/O MUD FLAPS (OPTION 2)

DATE: Released 10-2016

MODEL: 35-100

PAGE: 216

CHAPTER

2

<u>REF</u>	<u>PART NO.</u>	<u>DESCRIPTION</u>	<u>QTY</u>
	521-00082-7 (Rev. D)	<i>Manual 8 Bolt PTO +1' Hose</i>	
1	WAR-375X000-22	WSH, FL, TYPB-REG 0.375, ST SQC G2	2
2	201-00257	Clamp, Cable SGL DIA 3.5	1
3	201-00258	Clamp, Cable SGL DIA 2.5	1
4	209-00804	Hose Protector-HP8-B BLK (F3N)	1
5	NYL-375C000-25	Nut, HEX NYL-INS 0.375-16, ST SQC G5	2
6	W07-500X000-20	WSH, LCK, MED SPLT 0.50, ST SQC	2
7	514-59031	90° Elbow M#16 OFS X M#16 SF61	1
8	514-67005	90° Elbow M#12 OFS X M#12 SF61	1
9	514-55011	Elbow, 90, MOFS-8/MORB-8	1
10	504-03509	90° Hose End, Beaded (00776)	1
11	W07-312X000-20	WSH, LCK, MED SPLT 0.3125, ST SQC	1
12	WBR-31RX875-20	WSH, FL TYPB-REG 0.3125, ST SQC	1
13	505-01002	Split Flange Kit .75"	1
14	505-02002	Split Flange Kit 1.00"	1
15	505-06004	Split Flange Kit 2.50"	1
16	N04-312C000-25	Nut, HEX 0.3125-18 ST SQC G5	1
17	S01-312CA75-25	SCR, HHCS, 0.312-18 X 1.75, ST Z G5	1
18	201-00119	Clamp, Conduit 2.50 DIA	1
19	S01-500CA50-25	SCR, HHCS 0.50-13X1.50 ST Z G5	2
20	503-93010-1	Hose Kit - Pump BT +1'	1
20.1	503-06008	Hose ASSY, (2-1/2" X 110") Pump Inlet	1
20.2	502-30749	Hose ASSY, (1/2" X 92") Swing Pump	1
20.3	T130792	Hose ASSY, (3/4" X 96") Boom Pump	1
20.4	T130793	Hose ASSY, (1" X 108") Winch Pump	1
20.5	201-00248	T- Bolt Hose Clamp, 3" O.D.	2
21	520-00053-3	Pump, Triple Eaton #ACD-LH (see page 219)	1

WHEN ORDERING PARTS, SPECIFY MODEL NUMBER, SERIAL NUMBER AND DESCRIPTION OF PARTS REQUIRED



PUMP INSTALLATION

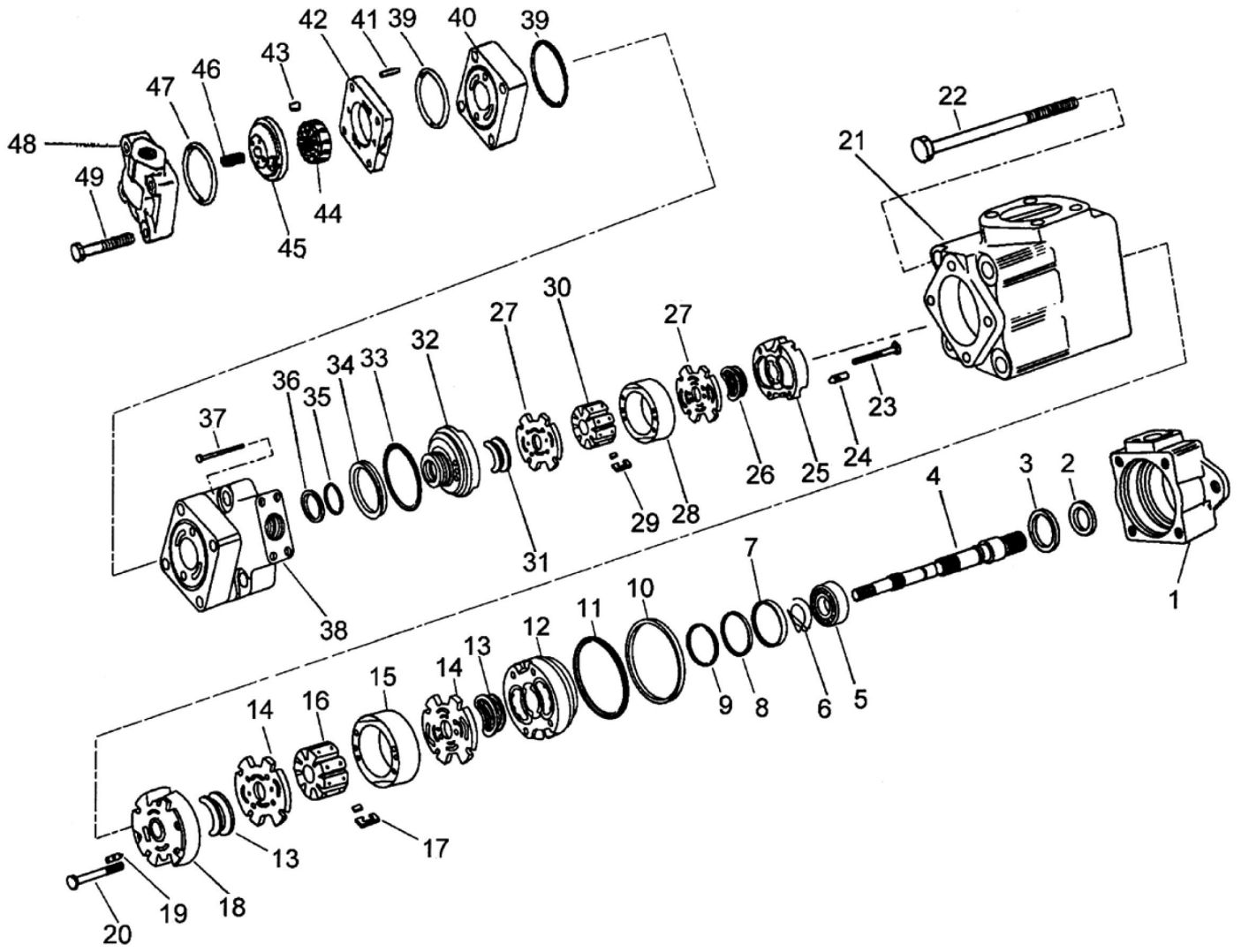
DATE: Revised 06-2016

MODEL: 35-100

PAGE: 217

CHAPTER

2



WHEN ORDERING PARTS, SPECIFY MODEL NUMBER, SERIAL NUMBER AND DESCRIPTION OF PARTS REQUIRED



PUMP, TRIPLE

DATE: Released 11-2011
 MODEL: 35-100
 PAGE: 218

CHAPTER
2

<u>REF</u>	<u>PART NO.</u>	<u>DESCRIPTION</u>	<u>QTY</u>
	520-00053-3 (Rev. A)	<i>Pump, Triple Eaton #ACD-LH</i>	
1	935-00119	Back Up Ring	1
2	935-00101*	Primary Shaft Seal	1
3	935-00033	Washer	1
4	935-00097	Shaft (297 Type)	1
5	935-00020	Bearing	1
6	935-00025	Ring	1
7	935-00034	Lockring	1
8	935-00119	Back Up Ring	1
9	935-00026*	O-Ring	1
10	935-00151	Seal Ring	1
11	935-00030*	O-Ring	1
12	935-00150	Outlet Plate	1
13	935-00149	Seal Pac.	4
14	935-00120	Flex Side Plate	2
15	935-00148	Ring	1
16	935-00044	Rotor	1
17	935-00056	Vane Kit	1
18	935-00146	Inlet Plate	1
19	935-00147	Pin	2
20	935-00145	Hex Head Screw	2
21	935-00041	Inlet Cover	1
22	935-00024	Bolt	4
23	935-00140	Screw	2
24	935-00141	Pin	2
25	935-00142	Inlet Plate	1
26	935-00143	Seal Pac.	4
27	935-00121	Side Plate Kit	1
28	935-00139	Ring	1
29	935-00144	Vane Kit	1
30	935-00138	Rotor	1
31	935-00143	Seal Pac.	4
32	935-00117	Outlet Plate	1
33	935-00028*	O-Ring	1
34	935-00136	Seal Ring	1
35	935-00060*	O-Ring	1
36	935-00122	Back-Up Ring	1
37	935-00022	Bolt	4
38	935-00135	Rear Mounting Cover	1
39	935-00093*	O-Ring	2
40	935-00111	Wear Plate	1
41	935-00095	Pin	2
42	935-00110	Ring	1
43	935-00109	Vane Kit	1
44	935-00108	Rotor	1
45	935-00107	Pressure Plate	1
46	935-00106	Spring	1
47	935-00093*	O-Ring	1
48	935-00100	V10 Cover Option	1
49	935-00088	Bolt	1

* 935-00091 REQUIRED FOR REPLACEMENT

WHEN ORDERING PARTS, SPECIFY MODEL NUMBER, SERIAL NUMBER AND DESCRIPTION OF PARTS REQUIRED

	<h2>PUMP, TRIPLE</h2>	DATE: Released 11-2011	CHAPTER <h1>2</h1>
		MODEL: 35-100	
		PAGE: 219	

<u>REF</u>	<u>PART NO.</u>	<u>DESCRIPTION</u>	<u>QTY</u>
	521-00082-19 (Rev. D)	<i>AUTO TRANS., +4' Hose Kit</i>	
1	W07-312X000-20	WSH, LCK, MED SPLT 0.3125, ST SQC	1
2	WBR-31RX875-20	WSH, FL TYPB-REG 0.3125, ST SQC	1
3	505-01002	Split Flange Kit .75"	1
4	505-02002	Split Flange Kit 1.00"	1
5	505-06004	Split Flange Kit 2.50"	1
6	N04-312C000-25	Nut, HEX 0.3125-18 ST SQC G5	1
7	S01-312CA75-25	SCR, HHCS, 0.312-18 X 1.75, ST Z G5	1
8	201-00119	Clamp, Conduit 2.50 DIA	1
9	S01-500CA50-25	SCR, HHCS 0.50-13X1.50 ST Z G5	2
10	503-93015	Hose Kit - Pump BT +4	1
10.1	503-06008	Hose ASSY, (2-1/2" X 110") Pump Inlet	1
10.2	502-35083	Hose ASSY, (1/2" X 128") Swing Valve Supply	1
10.3	T130794	Hose ASSY, (3/4" X 132") Main Valve Supply	1
10.4	T130795	Hose ASSY, (1" X 144") Winch Valve Supply	1
10.5	201-00248	T- Bolt Hose Clamp, 3" O.D.	2
11	520-00053-4	Pump, Triple Eaton #CCC-RH (see page 222)	1

WHEN ORDERING PARTS, SPECIFY MODEL NUMBER, SERIAL NUMBER AND DESCRIPTION OF PARTS REQUIRED



PUMP INSTALLATION

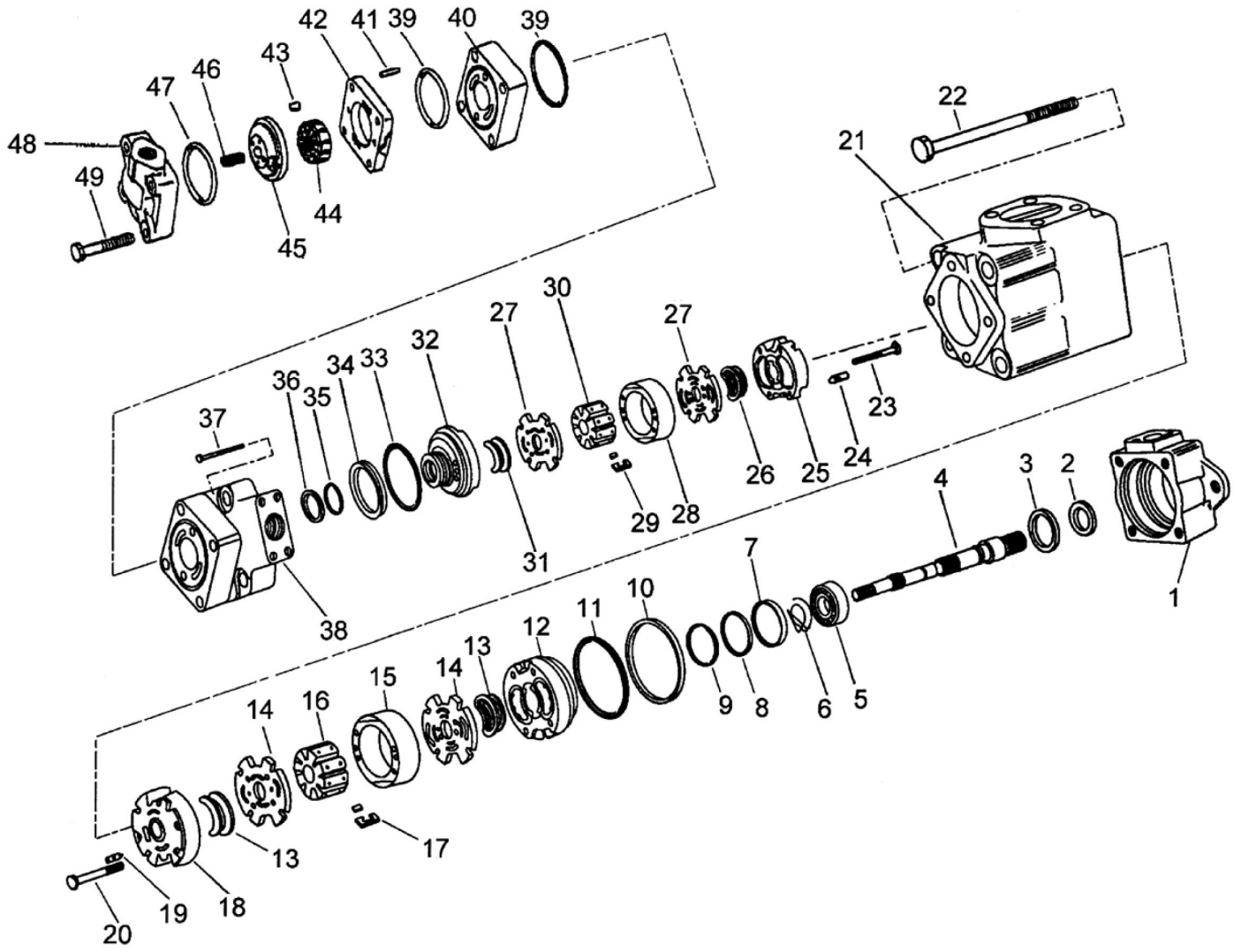
DATE: Revised 06-2016

MODEL: 35-100

PAGE: 220

CHAPTER

2



WHEN ORDERING PARTS, SPECIFY MODEL NUMBER, SERIAL NUMBER AND DESCRIPTION OF PARTS REQUIRED



PUMP, TRIPLE

DATE: Released 11-2011
 MODEL: 35-100
 PAGE: 221

CHAPTER
2

<u>REF</u>	<u>PART NO.</u>	<u>DESCRIPTION</u>	<u>QTY</u>
	520-00053-4 (Rev. A)	<i>Pump, Triple Eaton #CCC-RH</i>	
1	935-00119	Back Up Ring	1
2	935-00101*	Primary Shaft Seal	1
3	935-00033	Washer	1
4	935-00097	Shaft (297 Type)	1
5	935-00020	Bearing	1
6	935-00025	Ring	1
7	935-00034	Lockring	1
8	935-00119	Back Up Ring	1
9	935-00026*	O-Ring	1
10	935-00151	Seal Ring	1
11	935-00030*	O-Ring	1
12	935-00150	Outlet Plate	1
13	935-00149	Seal Pac.	4
14	935-00120	Flex Side Plate	2
15	935-00148	Ring	1
16	935-00044	Rotor	1
17	935-00056	Vane Kit	1
18	935-00146	Inlet Plate	1
19	935-00147	Pin	2
20	935-00145	Hex Head Screw	2
21	935-00041	Inlet Cover	1
22	935-00024	Bolt	4
23	935-00140	Screw	2
24	935-00141	Pin	2
25	935-00142	Inlet Plate	1
26	935-00143	Seal Pac.	4
27	935-00121	Side Plate Kit	1
28	935-00139	Ring	1
29	935-00144	Vane Kit	1
30	935-00138	Rotor	1
31	935-00143	Seal Pac.	4
32	935-00117	Outlet Plate	1
33	935-00028*	O-Ring	1
34	935-00136	Seal Ring	1
35	935-00060*	O-Ring	1
36	935-00122	Back-Up Ring	1
37	935-00022	Bolt	4
38	935-00135	Rear Mounting Cover	1
39	935-00093*	O-Ring	2
40	935-00111	Wear Plate	1
41	935-00095	Pin	2
42	935-00110	Ring	1
43	935-00109	Vane Kit	1
44	935-00108	Rotor	1
45	935-00107	Pressure Plate	1
46	935-00106	Spring	1
47	935-00093*	O-Ring	1
48	935-00100	V10 Cover Option	1
49	935-00088	Bolt	1

* 935-00091 REQUIRED FOR REPLACEMENT

WHEN ORDERING PARTS, SPECIFY MODEL NUMBER, SERIAL NUMBER AND DESCRIPTION OF PARTS REQUIRED



PUMP, TRIPLE

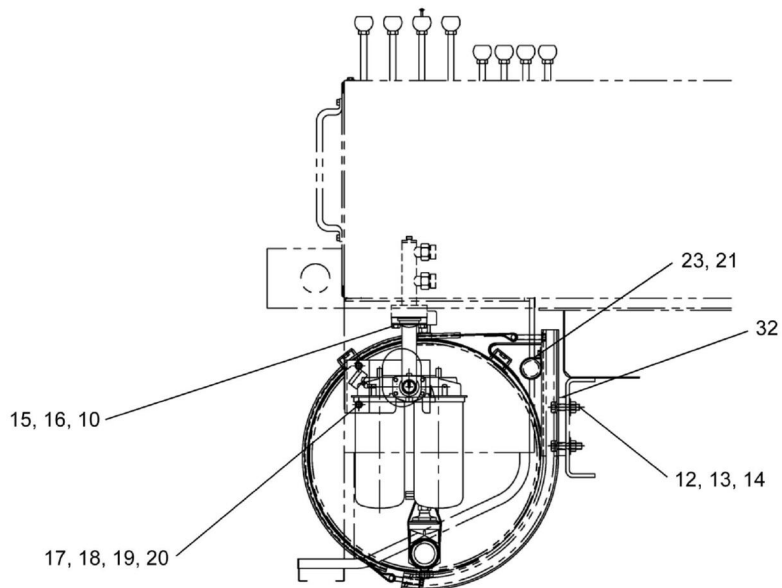
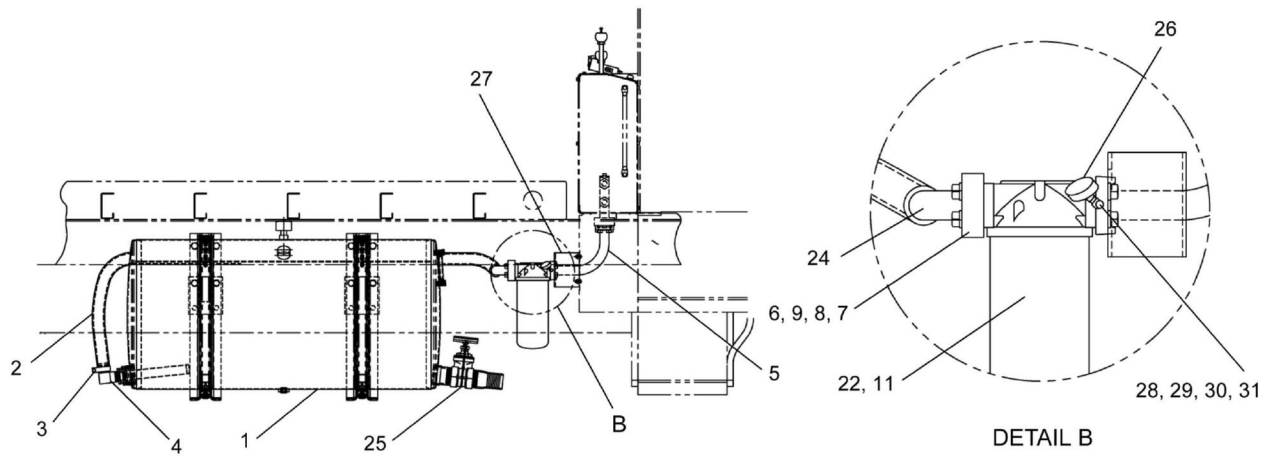
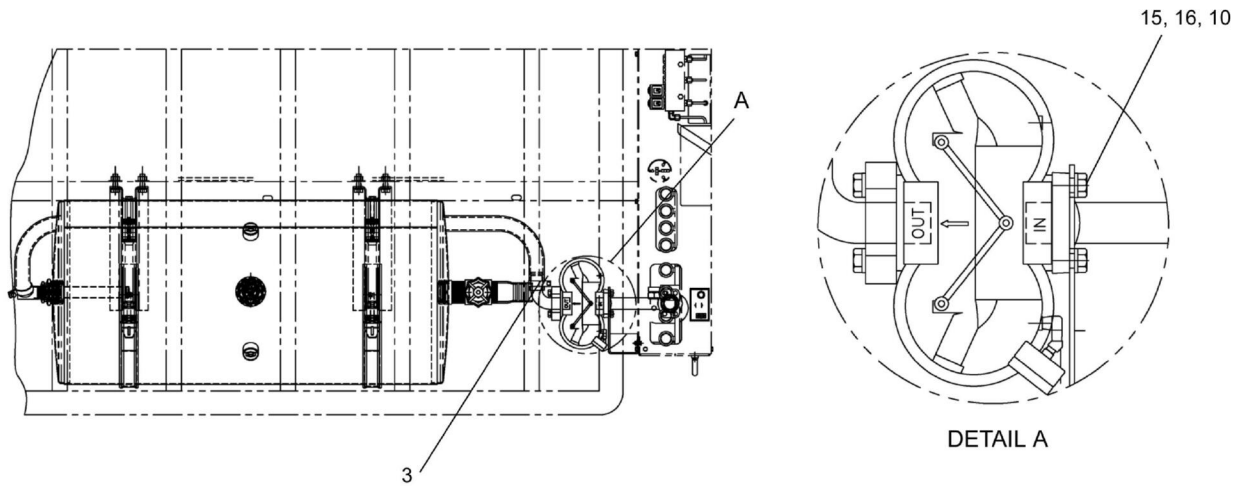
DATE: Released 11-2011

MODEL: 35-100

PAGE: 222

CHAPTER

2



WHEN ORDERING PARTS, SPECIFY MODEL NUMBER, SERIAL NUMBER AND DESCRIPTION OF PARTS REQUIRED



HYDRAULIC TANK INSTALLATION

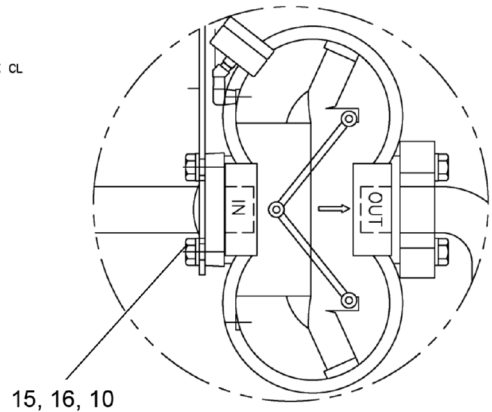
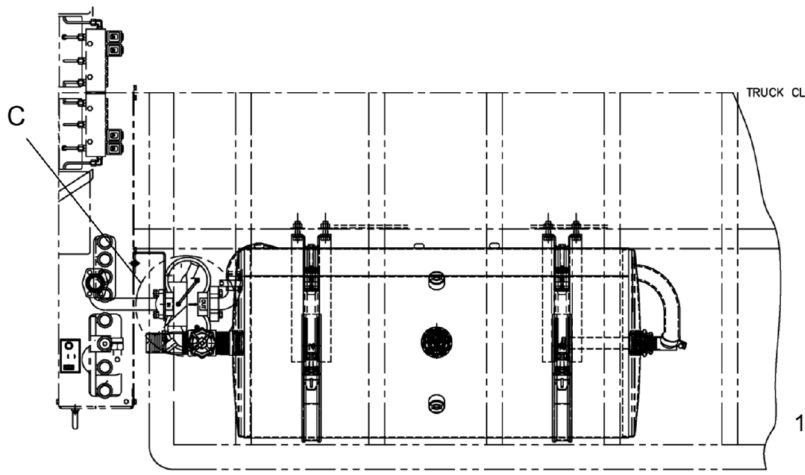
DATE: Revised 05-2018

MODEL: 35-100

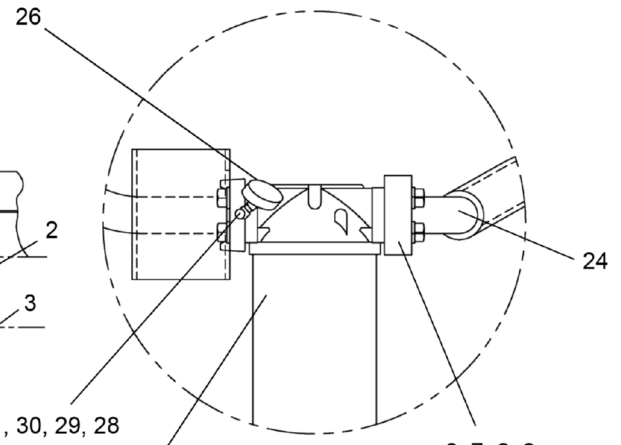
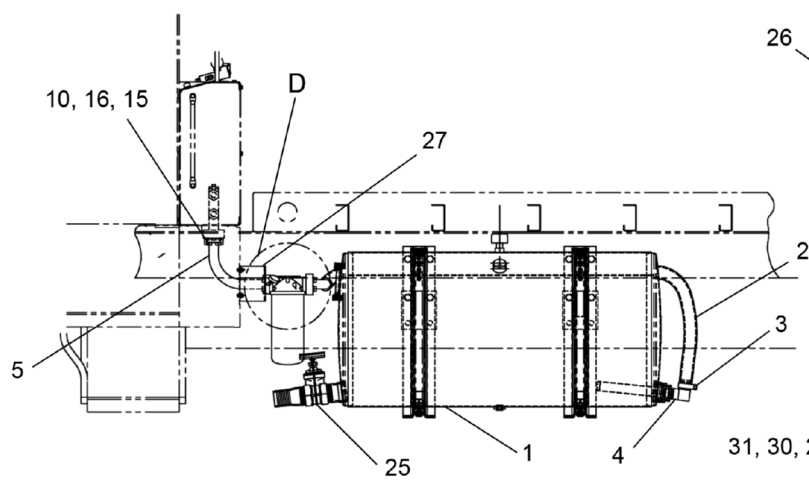
PAGE: 223

CHAPTER

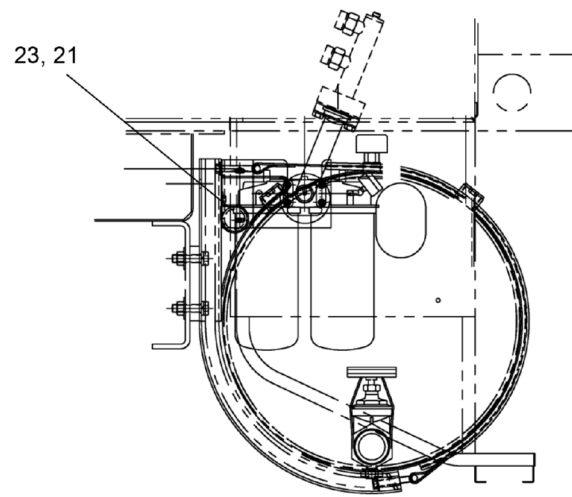
2



DETAIL C



DETAIL D



WHEN ORDERING PARTS, SPECIFY MODEL NUMBER, SERIAL NUMBER AND DESCRIPTION OF PARTS REQUIRED



HYDRAULIC TANK INSTALLATION

DATE: Revised 05-2018

MODEL: 35-100

PAGE: 224

CHAPTER

2

<u>REF</u>	<u>PART NO.</u>	<u>DESCRIPTION</u>	<u>QTY</u>
	876-00060-1 (Rev. R)	<i>Hydraulic Reservoir Installation</i>	
1	875-90336	ASSY HYD RES RND Steel (see page 227)	1
2	503-03001	Hose, 1 1/2 I.D SAE 100R4	11FT
3	201-00260	Clamp, Hose 1 1/2 T-Bolt	2
4	504-00706	Coupling, Hose 90° #4501-24-20	1
5	876-00060-1-Tube Assy	Tube ASSY-Return W/Flanges (see page 228)	1
6	505-03003	1 1/2 SAE 4 Bolt Flange Kit (Items Includes 1, 10 & 11)	1
7	260-30004	O-Ring Parker #224	1
8	W07-500X000-20	WSH, LCK, MED SPLT 0.50, ST SQC	4
9	S01-500CA50-25	SCR, HHCS 0.50-13X1.50 ST Z G5	4
10	260-30004	O-Ring Parker #224	2
11	501-02018	Filter Element	2
12	NYL-625C000-25	Nut, HEX NYL-INS 0.625-11, ST SQC G5	8
13	WAW-62WX000-20	WSH, FL TYPA-WID 0.625, ST SQC	16
14	S01-625CB75-25	SCR, HHCS, 0.625-11 X 2.75, ST SQC G5	8
15	S01-500CA50-25	SCR, HHCS 0.50-13X1.50 ST Z G5	8
16	W07-500X000-20	WSH, LCK, MED SPLT 0.50, ST SQC	8
17	SHF-312C750-25	SCR, HHCS FT 0.312-18 X 0.75 ST SQC G5	2
18	W07-312X000-20	WSH, LCK, MED SPLT 0.3125, ST SQC	2
19	WBR-31RX875-20	WSH, FL TYPB-REG 0.3125, ST SQC	2
20	N04-312C000-25	Nut, HEX 0.3125-18 ST SQC G5	2
21	SHS-312XA00-20	SCR, HEX, SLF, DR 5/16 X 1.00	2
22	501-02012	Return Line Filter ASSY (see page 229)	1
23	1240-59	Hose Clamp, 2" I.D	2
24	504-03407	Hose End 90° 1.50 X 1.50 (00776)	1
25	400-15187	Cable Tie 24" Heavy BLK Nylon	1
26	935-00113	Filter By-Pass Gauge	1
27	770-02621	MTG Bracket HYD Filter	1
28	1219-4	Elbow	1
29	1219-59	Elbow, 45° Parker 2214P-2-2	1
30	1219-99	Nipple Closed Parker 215PN-2	1
31	1219-134	Coupling Parker 207P-2-2	1
32	789-05507	Plate, HYD Tank Frame Spacer	2

WHEN ORDERING PARTS, SPECIFY MODEL NUMBER, SERIAL NUMBER AND DESCRIPTION OF PARTS REQUIRED



HYDRAULIC TANK INSTALLATION

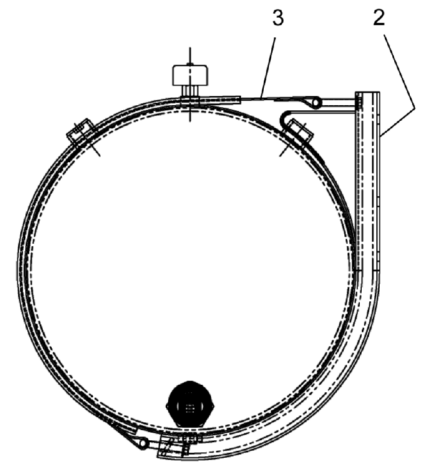
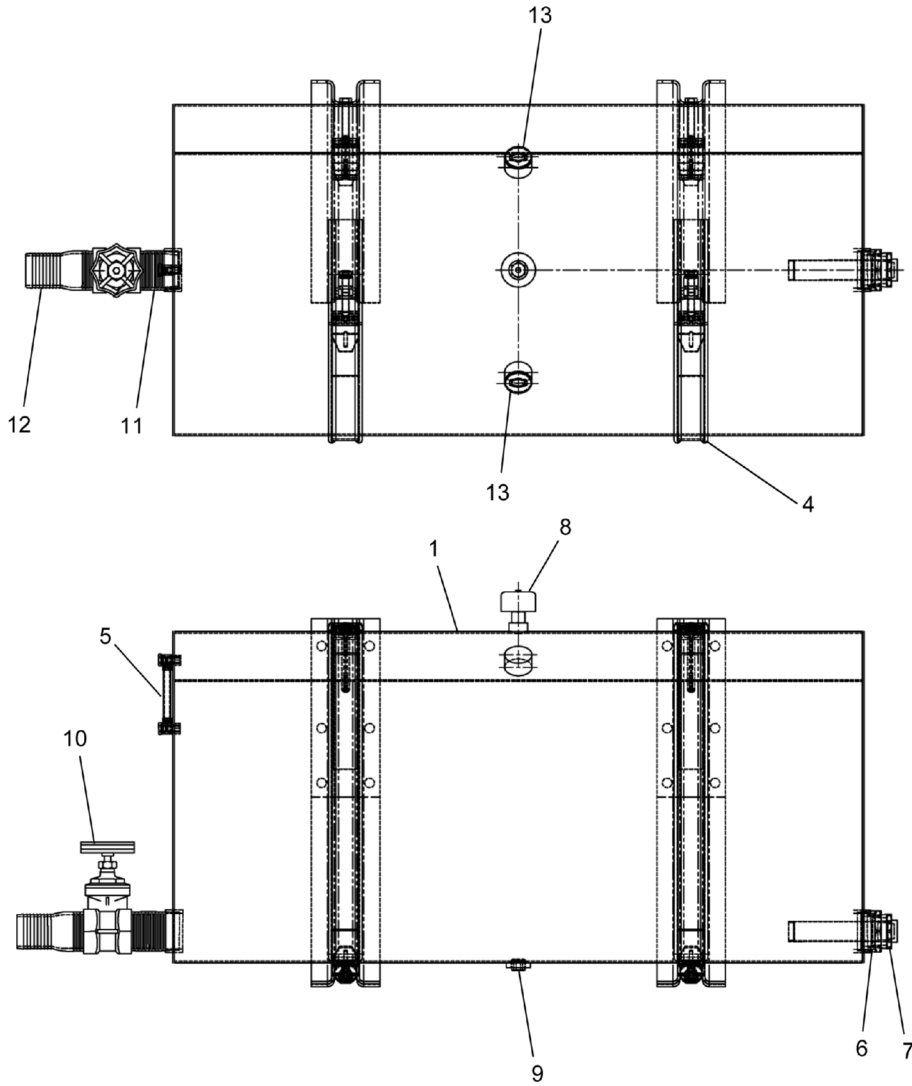
DATE: Revised 05-2018

MODEL: 35-100

PAGE: 225

CHAPTER

2



WHEN ORDERING PARTS, SPECIFY MODEL NUMBER, SERIAL NUMBER AND DESCRIPTION OF PARTS REQUIRED



HYDRAULIC RESERVOIR ASSEMBLY

DATE: Released 11-2011

MODEL: 35-100

PAGE: 226

CHAPTER

2

<u>REF</u>	<u>PART NO.</u>	<u>DESCRIPTION</u>	<u>QTY</u>
	875-90336 (Rev. C)	ASSY HYD RES RND Steel	
1	875-90339	RES., 90 GAL RD HYD	1
2	875-90325	BRK'T, 24" RD HYD Tank	2
3	875-90326	Strap, MTG HYD Tank	2
4	875-90327	Strap, Rub 2 1/32 X 10'	2
5	875-90340	Gauge, Sight Glass	1
6	875-90329	Reducer 2 1/2 NPT X 2NPT	1
7	875-90330	Diffuser, 2NPT X 1-1/4NPT	1
8	875-90138	ASS'Y, Breather	1
9	875-90332	Plug, 3/4NPT HEX Socket	1
10	570-90055	2 1/2" Gate Valve	1
11	570-09005	2 1/2" NPT Closed Nipple	1
12	504-00902	2 1/2" Hose Coupling	1
13	517-30015	HEX Plug 1 5/8-12	2

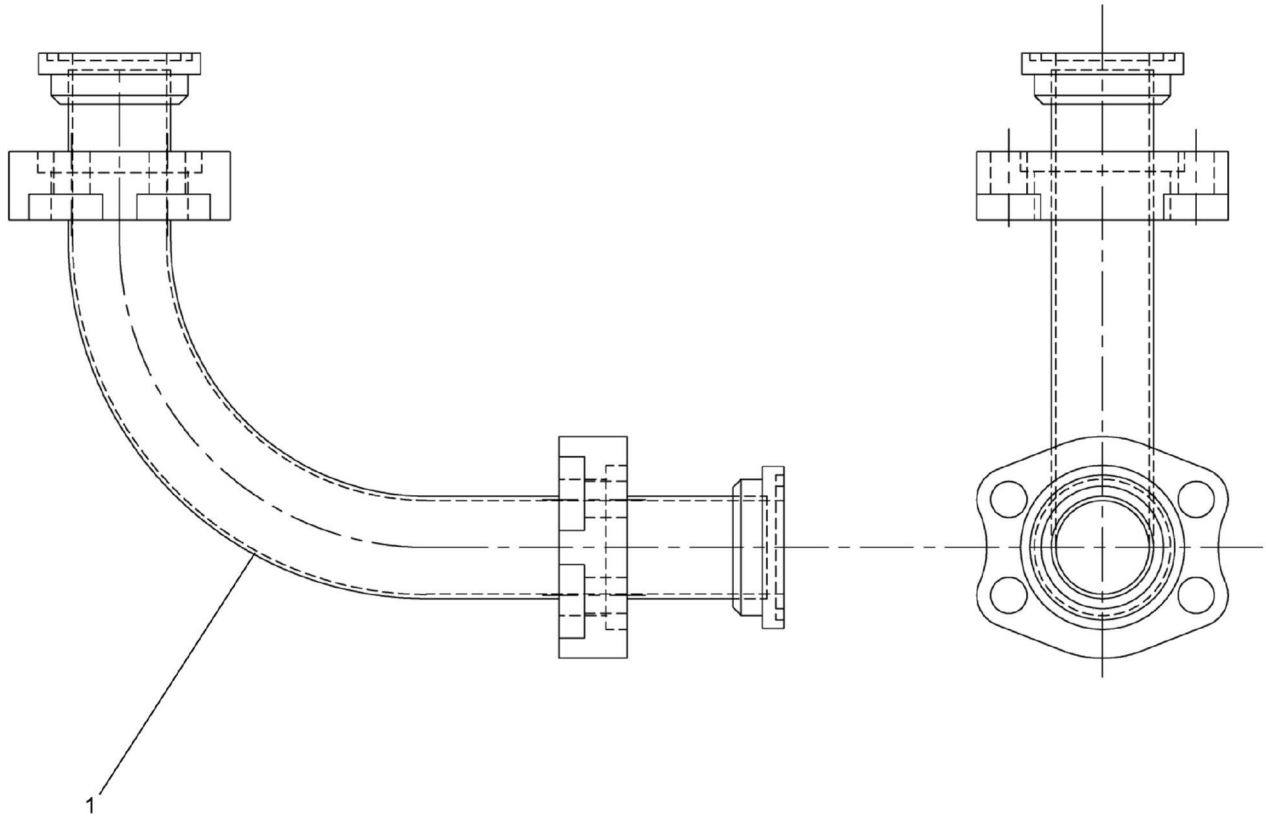
WHEN ORDERING PARTS, SPECIFY MODEL NUMBER, SERIAL NUMBER AND DESCRIPTION OF PARTS REQUIRED



HYDRAULIC RESERVOIR ASSEMBLY

DATE: Released 11-2011
MODEL: 35-100
PAGE: 227

CHAPTER
2



<u>REF</u>	<u>PART NO.</u>	<u>DESCRIPTION</u>	<u>QTY</u>
	876-00060-1-Tube Assy (Rev. 00)	<i>Tube ASSY-Return W/Flanges</i>	
1	510-90279	Tube ASSY, Return	1

WHEN ORDERING PARTS, SPECIFY MODEL NUMBER, SERIAL NUMBER AND DESCRIPTION OF PARTS REQUIRED



TUBE ASSEMBLY RETURN

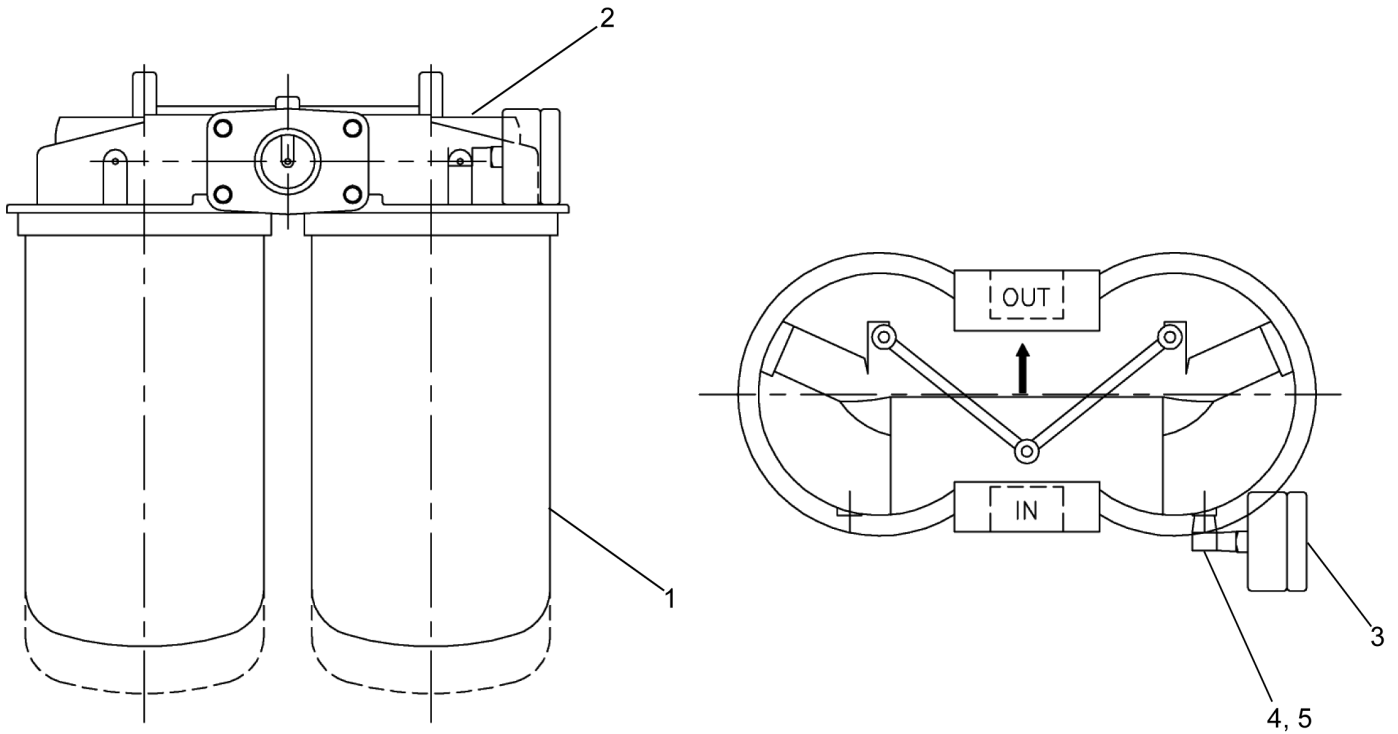
DATE: Released 11-2011

MODEL: 35-100

PAGE: 228

CHAPTER

2



<u>REF</u>	<u>PART NO.</u>	<u>DESCRIPTION</u>	<u>QTY</u>
	501-02012 (Rev. A)	<i>Return Line Filter ASSY</i>	
1	501-02018	Filter Element	2
2	501-02013	Filter Head	1
3	935-00113	Filter By-Pass Gauge	REF
4	1219-4	Elbow	REF
5	1219-59	Elbow, 45° Parker 2214P-2-2	REF

WHEN ORDERING PARTS, SPECIFY MODEL NUMBER, SERIAL NUMBER AND DESCRIPTION OF PARTS REQUIRED



RETURN LINE FILTER ASSEMBLY

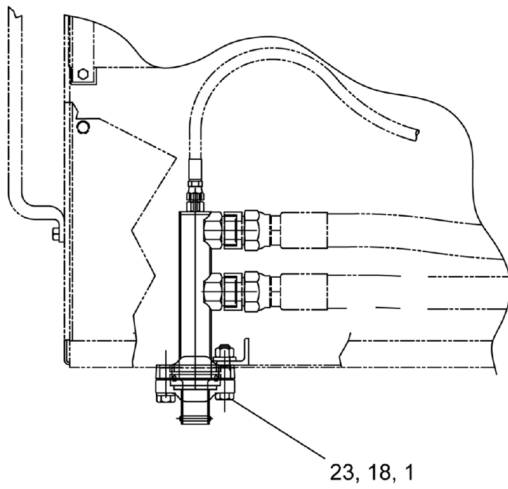
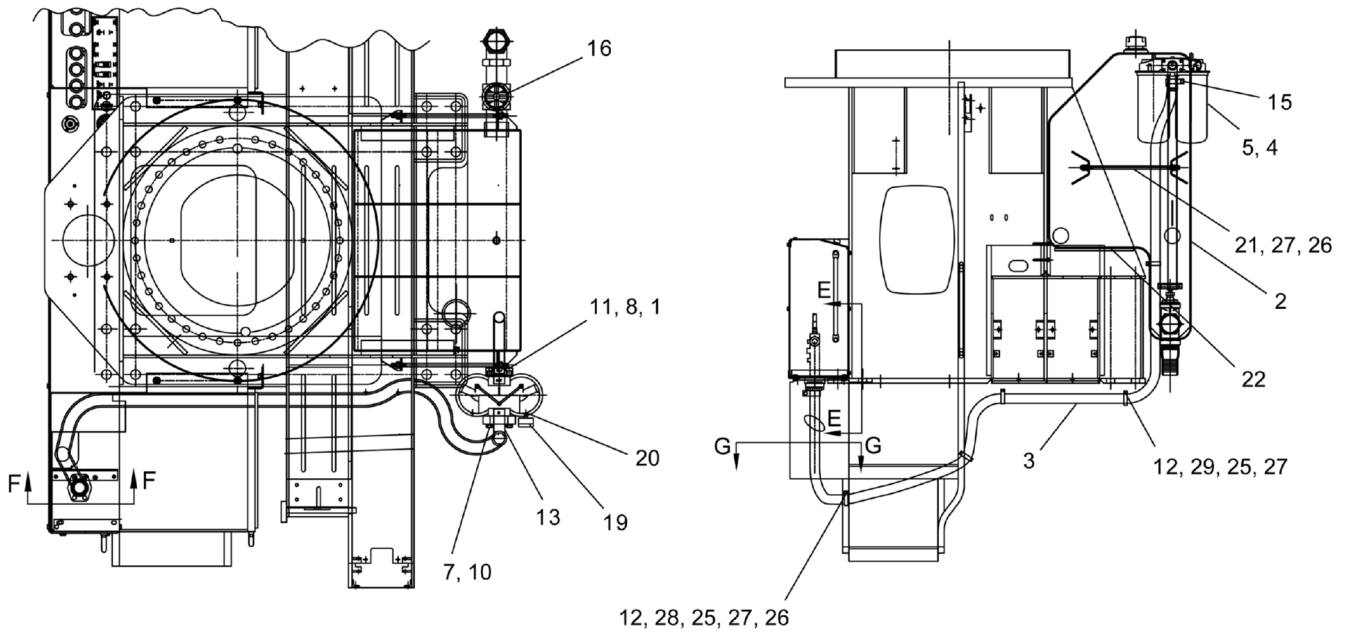
DATE: Released 11-2011

MODEL: 35-100

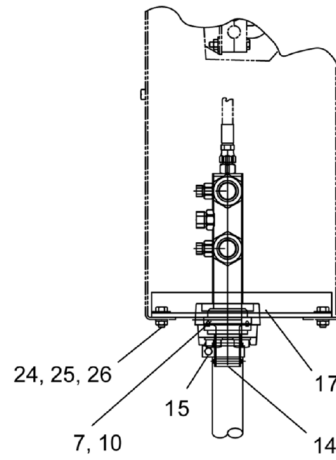
PAGE: 229

CHAPTER

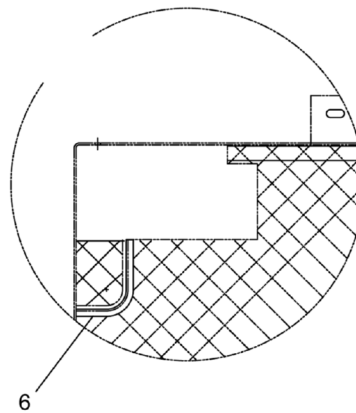
2



SECTION E - E



SECTION F - F



SECTION G - G

WHEN ORDERING PARTS, SPECIFY MODEL NUMBER, SERIAL NUMBER AND DESCRIPTION OF PARTS REQUIRED



HYDRAULIC TANK INSTALLATION (OPTION 2)

DATE: Revised 05-2018

MODEL: 35-100

PAGE: 230

CHAPTER

2

<u>REF</u>	<u>PART NO.</u>	<u>DESCRIPTION</u>	<u>QTY</u>
	876-00068-1 (Rev. H)	Main Frame HYD Tank INSTL	
1	W07-500X000-20	WSH, LCK, MED SPLT 0.50, ST SQC	6
2	875-90342	90 GAL HYD Tank ASSY M/F MTG (see page 232)	1
3	503-03001	Hose, 1 1/2 I.D SAE 100R4	14FT
4	501-02018	Filter Element	2
5	501-02012	Return Line Filter ASSY (see page 229)	1
6	209-00802	Trim Lock 3/4" (BLK)	8FT
7	505-03003	1 1/2 SAE 4 Bolt Flange Kit (Items Includes 1, 10 & 11)	2
8	S14-500CA50-H2	SCR, SHCS 0.50-13 X 1.50 ST SQC	4
9*	WBR-50RXA37-20	WSH, FL TYPB-REG 0.50, ST SQC	2
10	S01-500CA50-25	SCR, HHCS 0.50-13X1.50 ST Z G5	REF
11	260-30004	O-Ring Parker #224	1
12	1240-3	Clamp	5
13	504-03407	Hose End 90° 1.50 X 1.50 (00776)	1
14	504-03408	CONN 4 Bolt FLG 1.50 (00900)	1
15	201-00260	Clamp, Hose 1 1/2 T-Bolt	4
16	400-15187	Cable Tie 24" Heavy BLK Nylon	1
17	785-02116	Angle, Mainfold MGT.	1
18	NYL-500C000-25	Nut, HEX NYL-INS 0.50-13, ST SQC G5	2
19	935-00113	Filter By-Pass Gauge	1
20	1219-4	Elbow	1
21	220-04064	Stud Tiedown, 1/2-13 NC X 16	2
22	12389-1	Spiral Flex	4FT
23	SHF-500CB50-25	SCR, HHCS FT 0.50-13 X 2.50, ST SQC G5	2
24	SHF-312C750-25	SCR, HHCS FT 0.312-18 X 0.75 ST SQC G5	2
25	W07-312X000-20	WSH, LCK, MED SPLT 0.3125, ST SQC	7
26	N04-312C000-25	Nut, HEX 0.3125-18 ST SQC G5	12
27	WBR-312X875-20	WSH, FL TYPB-REG 0.3125, ST SQC	11
28	S01-312CB00-25	SCR, HHCS 0.3125-18 X 2.00, ST SQC G5	2
29	SHS-312X750-20	SCR, HEX SLF DR 5/16 X .75, ST SQC	6

* ITEM NOT SHOWN IN ILLUSTRATION

WHEN ORDERING PARTS, SPECIFY MODEL NUMBER, SERIAL NUMBER AND DESCRIPTION OF PARTS REQUIRED



HYDRAULIC TANK INSTALLATION (OPTION 2)

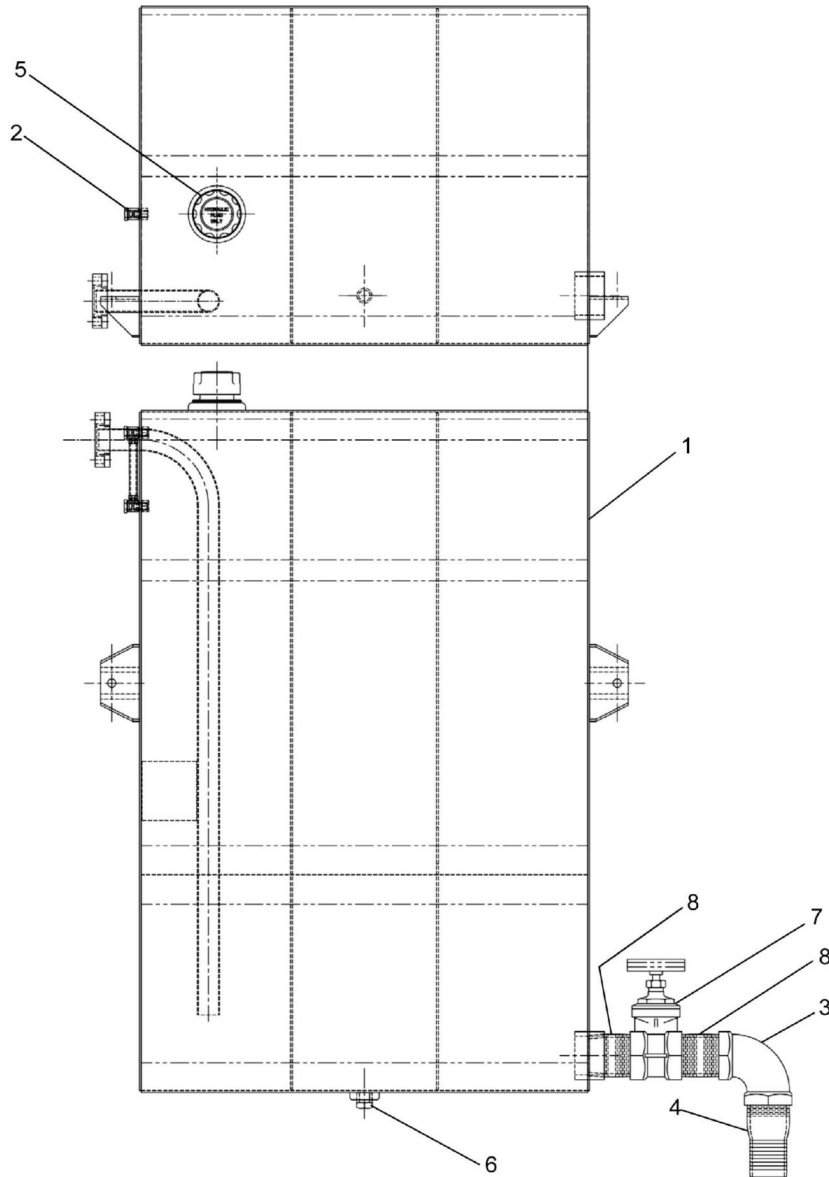
DATE: Revised 05-2018

MODEL: 35-100

PAGE: 231

CHAPTER

2



<u>REF</u>	<u>PART NO.</u>	<u>DESCRIPTION</u>	<u>QTY</u>
	875-90342 (Rev. B)	90 GAL HYD Tank ASSY M/F MTG	
1	875-90341	RES, 90 GAL BT MF MTG HYD	1
2	875-90340	Gauge, Sight Glass	1
3	570-38008	2 1/2" NPTF Elbow	1
4	504-00902	2 1/2" Hose Coupling	1
5	875-90331	ASS'Y, Breather Cap	1
6	875-90332	Plug, 3/4NPT HEX Socket	1
7	570-90055	2 1/2" Gate Valve	1
8	570-09005	2 1/2" NPT Closed Nipple	2

WHEN ORDERING PARTS, SPECIFY MODEL NUMBER, SERIAL NUMBER AND DESCRIPTION OF PARTS REQUIRED



HYDRAULIC TANK ASSEMBLY 90 GAL

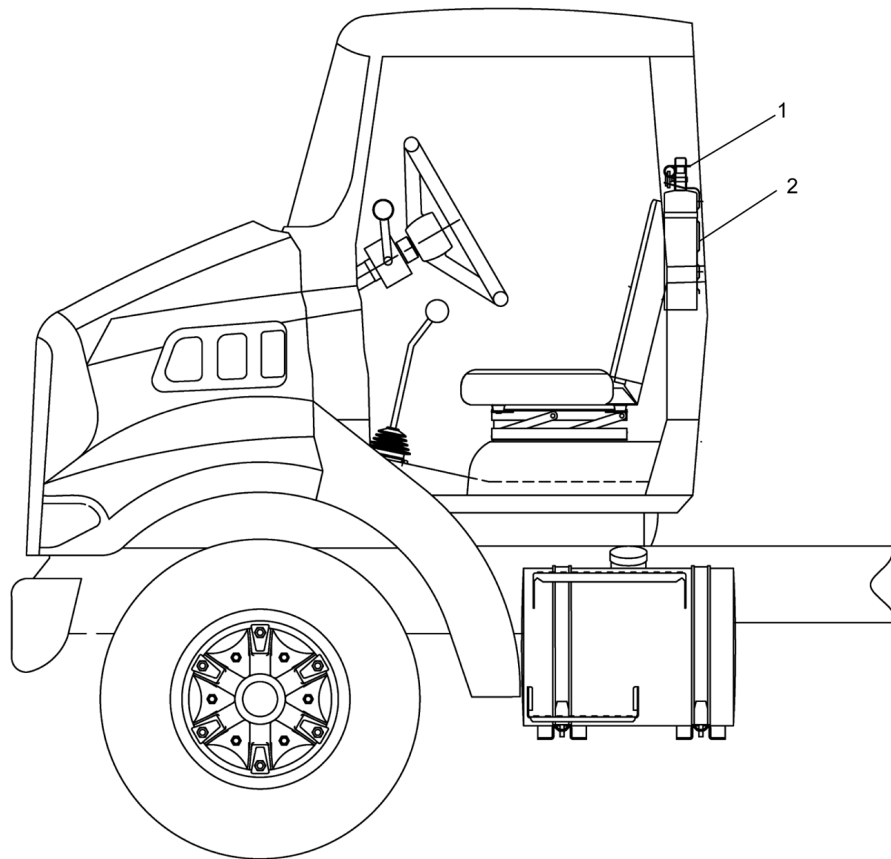
DATE: Released 10-2015

MODEL: 35-100

PAGE: 232

CHAPTER

2



<u>REF</u>	<u>PART NO.</u>	<u>DESCRIPTION</u>	<u>QTY</u>
	736-00001-1 (Rev. B)	<i>Fire Extinguisher Installation</i>	
1	1222-217	Fire Extinguisher	1
2	SHS-190XA25-20	SHS-Screw, HEX Self - Drilling (ENG)	4

WHEN ORDERING PARTS, SPECIFY MODEL NUMBER, SERIAL NUMBER AND DESCRIPTION OF PARTS REQUIRED



FIRE EXTINGUISHER INSTALLATION

DATE: Revised 06-2016

MODEL: 35-100

PAGE: 233

CHAPTER

2

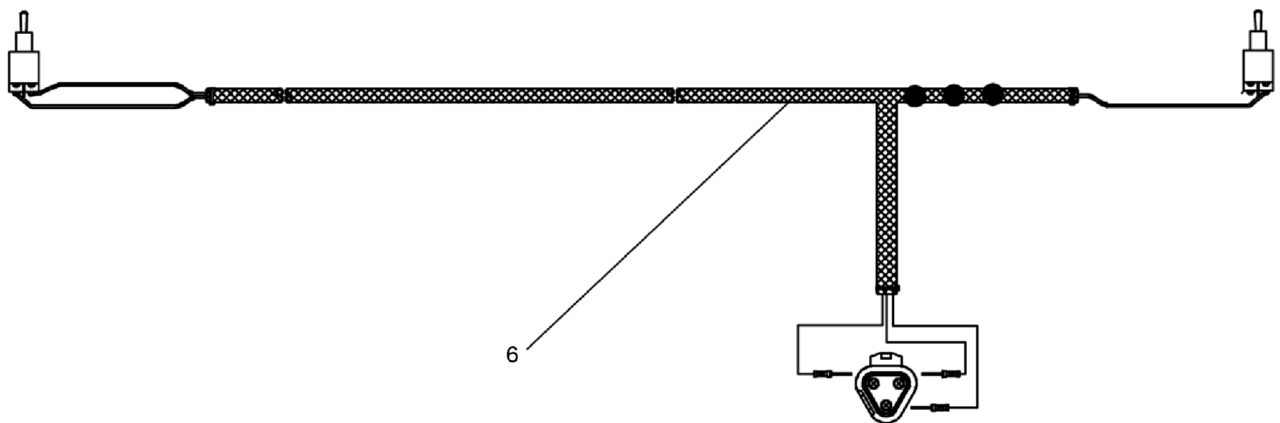
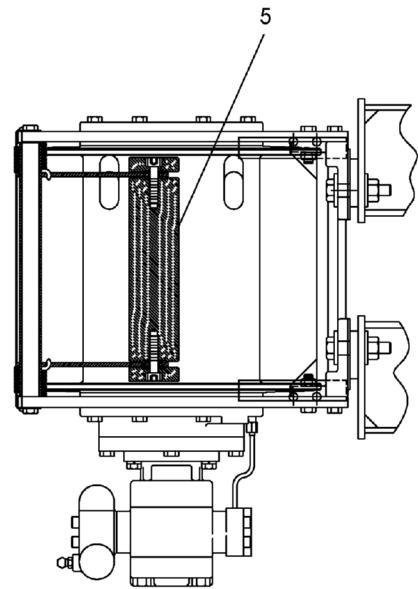
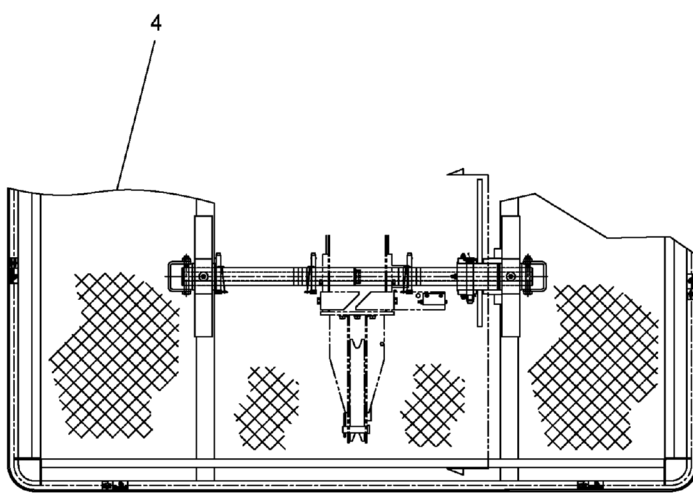
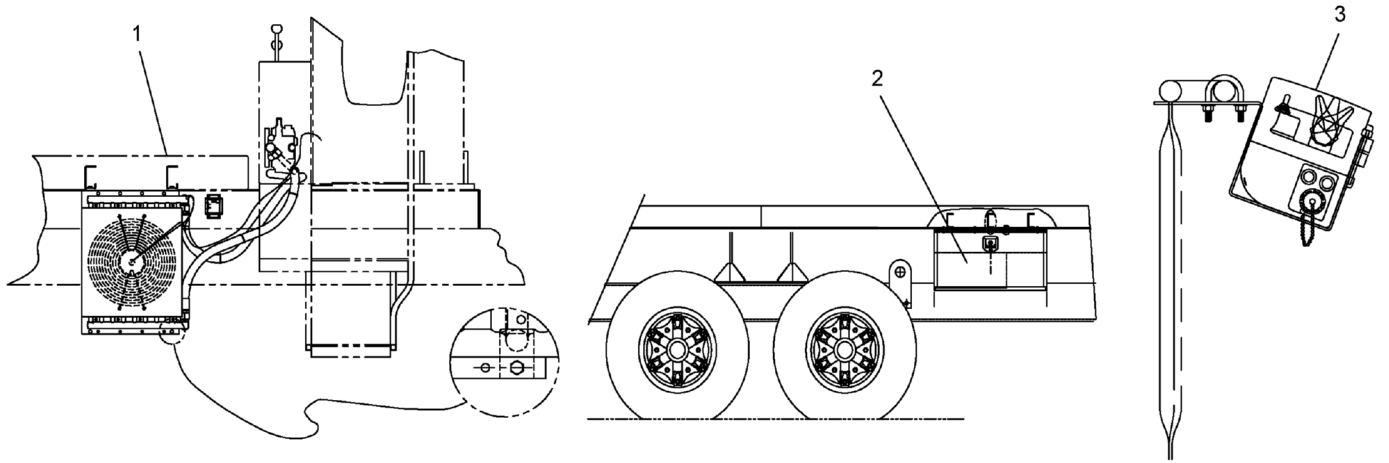
<u>REF</u>	<u>PART NO.</u>	<u>DESCRIPTION</u>	<u>QTY</u>
	35-100-PTO OPTIONS (Rev. 00)	<i>PTO Options</i>	
1	350-00205	PTO, Hot Shift Generic	1
2	350-00206	PTO E/shift Sterling LT7501 2008/09 Tandem Axle	1

WHEN ORDERING PARTS, SPECIFY MODEL NUMBER, SERIAL NUMBER AND DESCRIPTION OF PARTS REQUIRED

 <small>BY CUSTOM TRUCK SOURCE</small>	<h2>PTO OPTIONS</h2>	DATE: Released 11-2011	CHAPTER 2
		MODEL: 35-100	
		PAGE: 234	

CHAPTER NO. 3

OPTIONAL EQUIPMENT



WHEN ORDERING PARTS, SPECIFY MODEL NUMBER, SERIAL NUMBER AND DESCRIPTION OF PARTS REQUIRED



OPTIONAL EQUIPMENT

DATE: Revised 10-2017

MODEL: 35-100

PAGE: 238

CHAPTER

3

<u>REF</u>	<u>PART NO.</u>	<u>DESCRIPTION</u>	<u>QTY</u>
	35-100-OPT-EQUIP (Rev. 00)	<i>OPTIONAL EQUIPMENT</i>	
1	526-00013-1	Oil Cooler Installation (see page 242)	1
2	697-00007-1	Tool Box Installation 36" (see page 244)	1
2A	697-00007-2	Tool Box INSTL 30" (see page 246)	1
3	T128721	Radio Remote Transmitter INSTL With 2-Man Steel Personnel Platform (see page 247)	1
3A	T131687	Radio Remote ASSY (see page 249)	1
4	731-30014	2 Man Steel Platform INSTL (see page 257)	1
5	717-00054-3	Cable Tensioner Installation (White) (see page 263)	1
6	T120099	Harness, Bump Throttle (see page 264)	1

WHEN ORDERING PARTS, SPECIFY MODEL NUMBER, SERIAL NUMBER AND DESCRIPTION OF PARTS REQUIRED



OPTIONAL EQUIPMENT

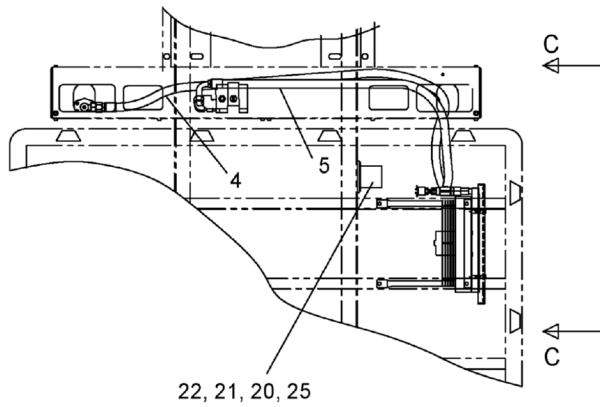
DATE: Revised 10-2017

MODEL: 35-100

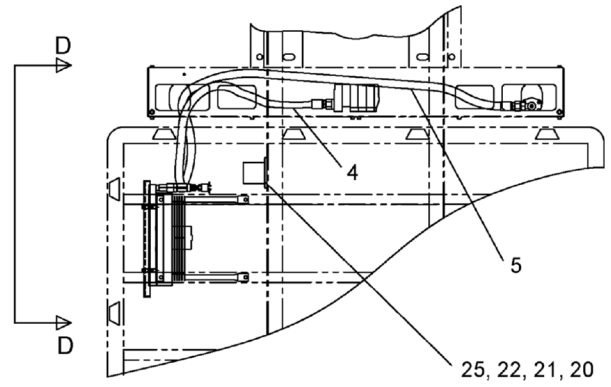
PAGE: 239

CHAPTER

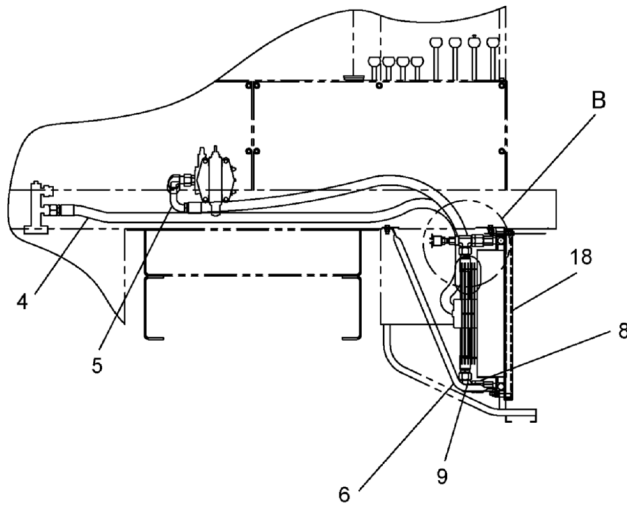
3



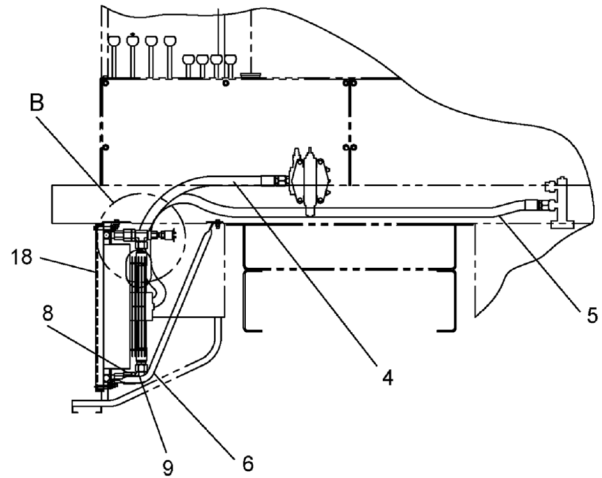
CURBSIDE INSTALLATION



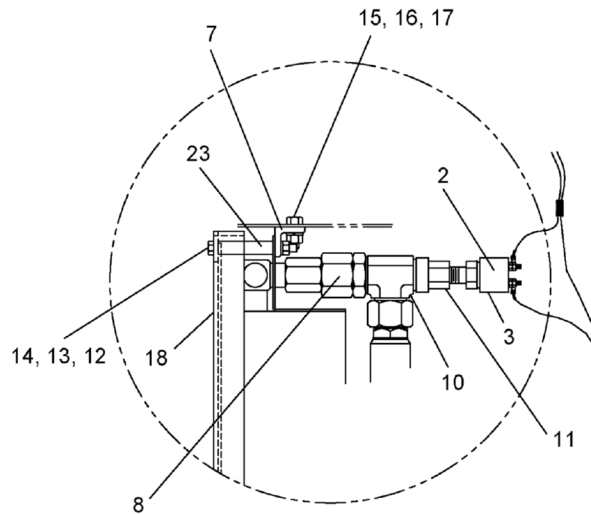
STREETSIDE INSTALLATION



CURBSIDE INSTALLATION



STREETSIDE INSTALLATION



DETAIL B

WHEN ORDERING PARTS, SPECIFY MODEL NUMBER, SERIAL NUMBER AND DESCRIPTION OF PARTS REQUIRED



OIL COOLER INSTALLATION

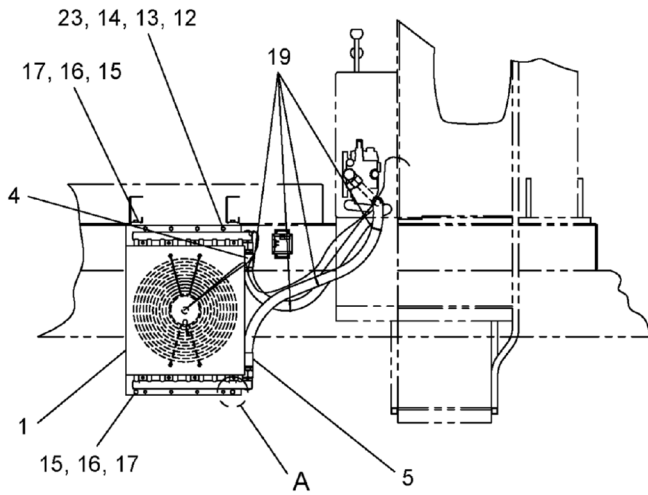
DATE: Revised 05-2018

MODEL: 35-100

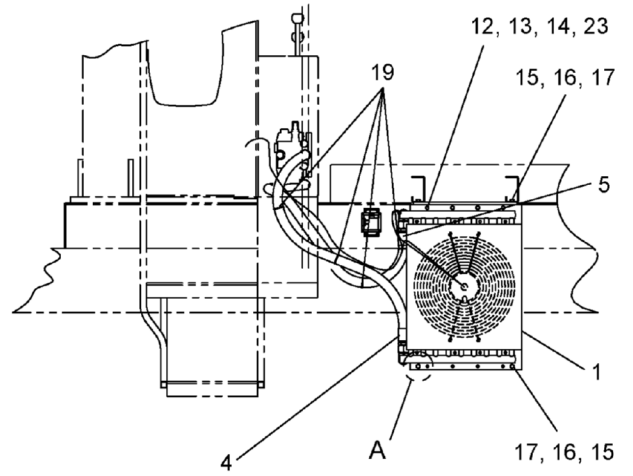
PAGE: 240

CHAPTER

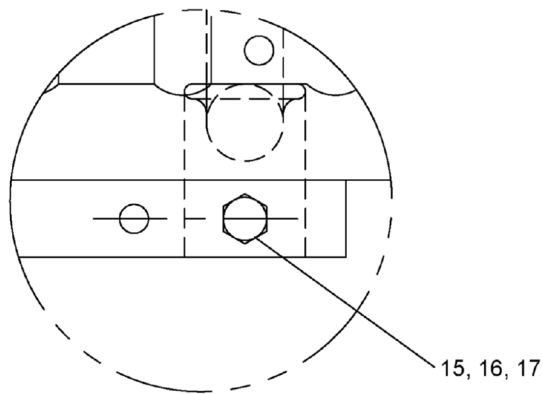
3



VIEW C - C



VIEW D - D



DETAIL A

WHEN ORDERING PARTS, SPECIFY MODEL NUMBER, SERIAL NUMBER AND DESCRIPTION OF PARTS REQUIRED



OIL COOLER INSTALLATION

DATE: Revised 05-2018

MODEL: 35-100

PAGE: 241

CHAPTER

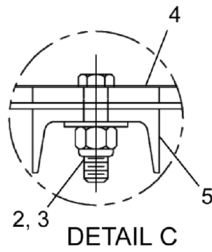
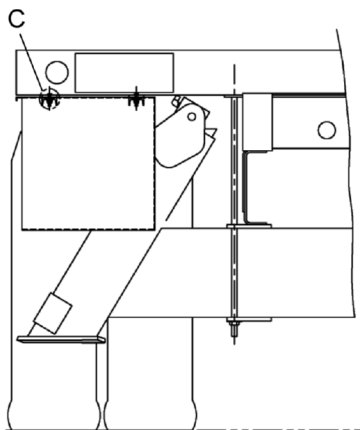
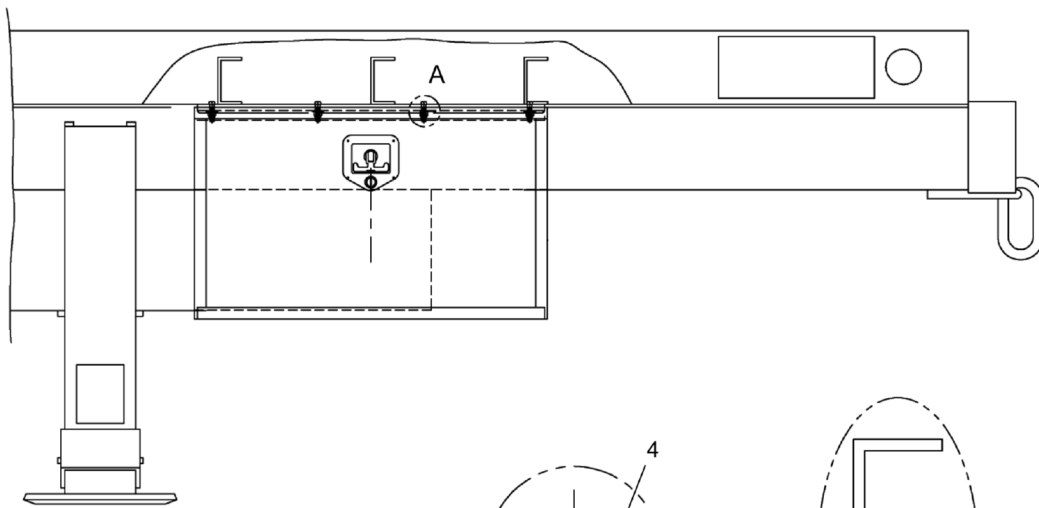
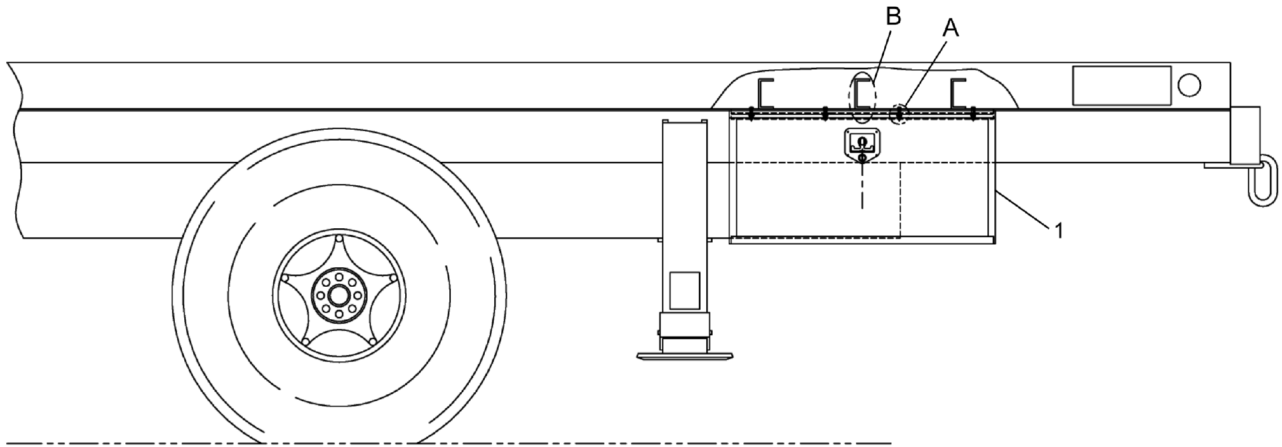
3

<u>REF</u>	<u>PART NO.</u>	<u>DESCRIPTION</u>	<u>QTY</u>
	526-00013-1 (Rev. L)	<i>Oil Cooler Installation</i>	
1	501-05010	Oil Cooler	1
2	400-05418	Thermal Switch-160°	1
3	400-04990	Switch Boot	1
4	502-50316	Hose ASSY-Cooler Return	1
5	502-50317	Hose ASSY-Cooler Supply	1
6	782-01269	Support, Oil Cooler	2
7	785-01481	Angle-Cooler Support	1
8	517-90006	Adapter- #16 For X 1" MPT	2
9	514-59021	Elbow, 90° #16 OFS	1
10	516-89013	Tee, Run SPCL.	1
11	517-00045	Adapter #6FP X #10 ORB	1
12	S01-312CC50-25	SCR, HHCS 0.3125-18 X 3.50, ST SQC G5	4
13	W07-312X000-20	WSH, LCK, MED SPLT 0.3125, ST SQC	4
14	N04-312C000-2A	Nut, HEX 0.3125-18, ST SQC GA	4
15	SHF-375CA00-25	SCR, HHCS FT 0.375-16 X 1.00, ST SQC G5	6
16	W07-375X000-20	WSH, LCK, MED SPLT 0.375, ST Z	6
17	N04-375C000-2A	Nut, HEX 0.375-16, ST SQC GA	6
18	802-01642	Guard, Oil Cooler	1
19	400-15086	Tie Wrap 7 7/16 LG	10
20	780-00309	Pad	1
21	W07-250X000-20	WSH, LCK, MED SPLT 0.25 ST Z	4
22	SHF-250C500-25	SCR, HHCS FT 0.25-20 X 0.50, ST SQC G5	4
23	011-20016	Spacer, Pipe	4
24*	400-01411	Loom, Split 1/4 I.D.	35
25	400-05502	Fan Control Box ASSY Oil Cool	1

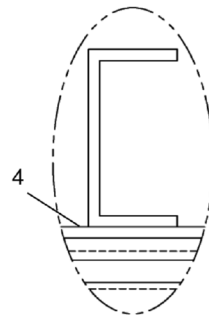
* ITEM NOT SHOWN IN ILLUSTRATION

WHEN ORDERING PARTS, SPECIFY MODEL NUMBER, SERIAL NUMBER AND DESCRIPTION OF PARTS REQUIRED

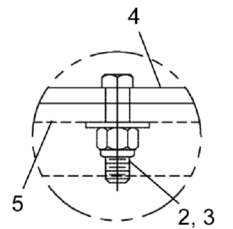
	<h2>OIL COOLER INSTALLATION</h2>	DATE: Revised 05-2018	CHAPTER 3
		MODEL: 35-100	
		PAGE: 242	



DETAIL C



DETAIL B



DETAIL A

WHEN ORDERING PARTS, SPECIFY MODEL NUMBER, SERIAL NUMBER AND DESCRIPTION OF PARTS REQUIRED



TOOL BOX INSTALLATION-36"

DATE: Revised 11-2011

MODEL: 35-100

PAGE: 243

CHAPTER

3

<u>REF</u>	<u>PART NO.</u>	<u>DESCRIPTION</u>	<u>QTY</u>
	697-00007-1 (Rev. C)	<i>Tool Box Installation 36"</i>	
1	600-32312	Tool Box - 36 X 18 X 18	1
2	221-00032-2	Nylon Lock HEX Nut 3/8-16 Zinc	8
3	222-00025-8	Flatwasher 3/4 HARD Zinc PL	8
4	770-02848.3	Stud Bar - 36" Tool Box S/W	2
5	786-01897.3	36" Tool Box MTG Channel	1

WHEN ORDERING PARTS, SPECIFY MODEL NUMBER, SERIAL NUMBER AND DESCRIPTION OF PARTS REQUIRED



TOOL BOX INSTALLATION-36"

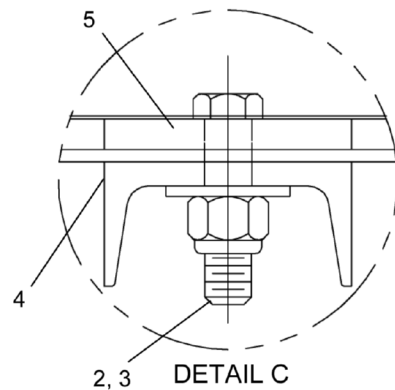
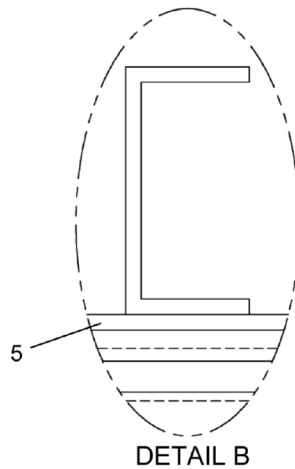
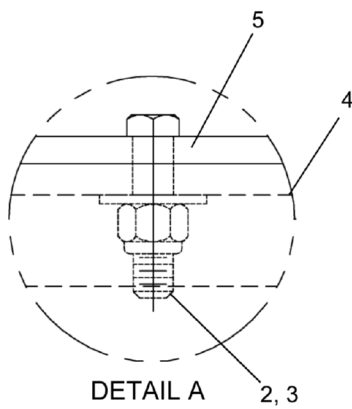
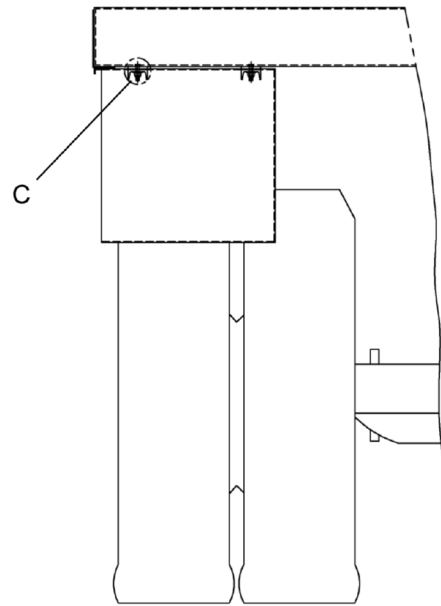
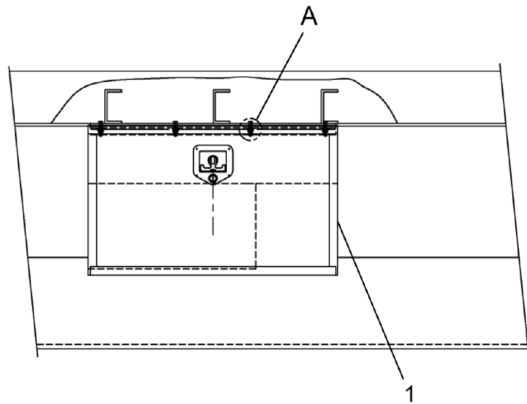
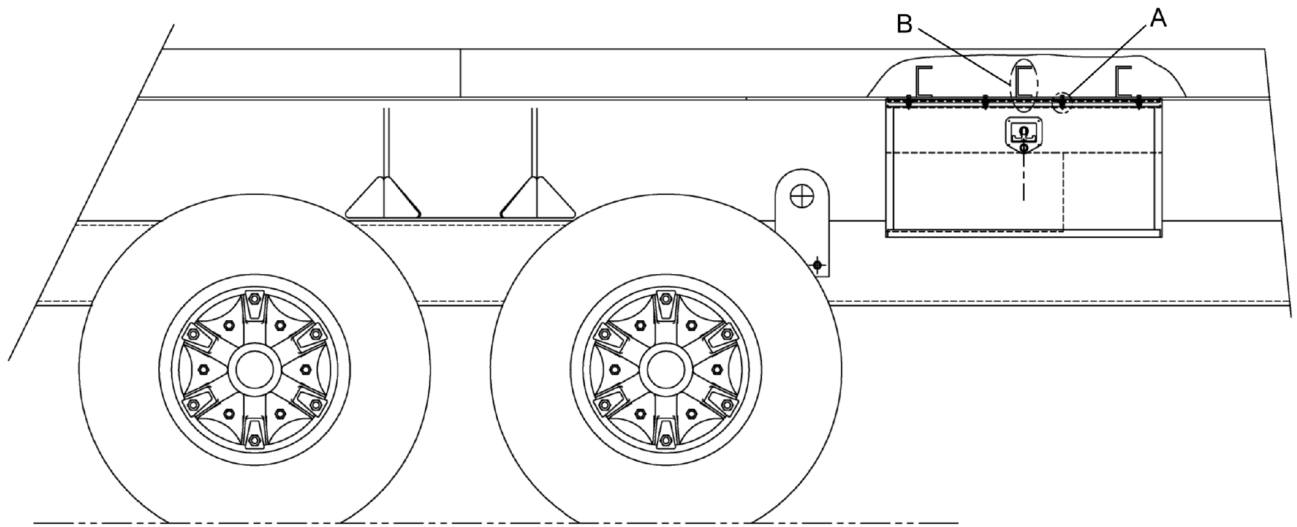
DATE: Revised 11-2011

MODEL: 35-100

PAGE: 244

CHAPTER

3



WHEN ORDERING PARTS, SPECIFY MODEL NUMBER, SERIAL NUMBER AND DESCRIPTION OF PARTS REQUIRED



TOOL BOX INSTALLATION-30"

DATE: Revised 11-2011

MODEL: 35-100

PAGE: 245

CHAPTER

3

<u>REF</u>	<u>PART NO.</u>	<u>DESCRIPTION</u>	<u>QTY</u>
	697-00007-2 (Rev. C)	<i>Tool Box INSTL 30"</i>	
1	600-32576	Tool Box - 30 x 18 x 18	1
2	221-00032-2	Nylon Lock HEX Nut 3/8-16 Zinc	8
3	222-00025-8	Flatwasher 3/4 HARD Zinc PL	8
4	786-01896.3	30" Tool Box MTG Channel	1
5	770-02847.3	Stud Bar - 30" Tool Box S/W	2

WHEN ORDERING PARTS, SPECIFY MODEL NUMBER, SERIAL NUMBER AND DESCRIPTION OF PARTS REQUIRED



TOOL BOX INSTALLATION-30"

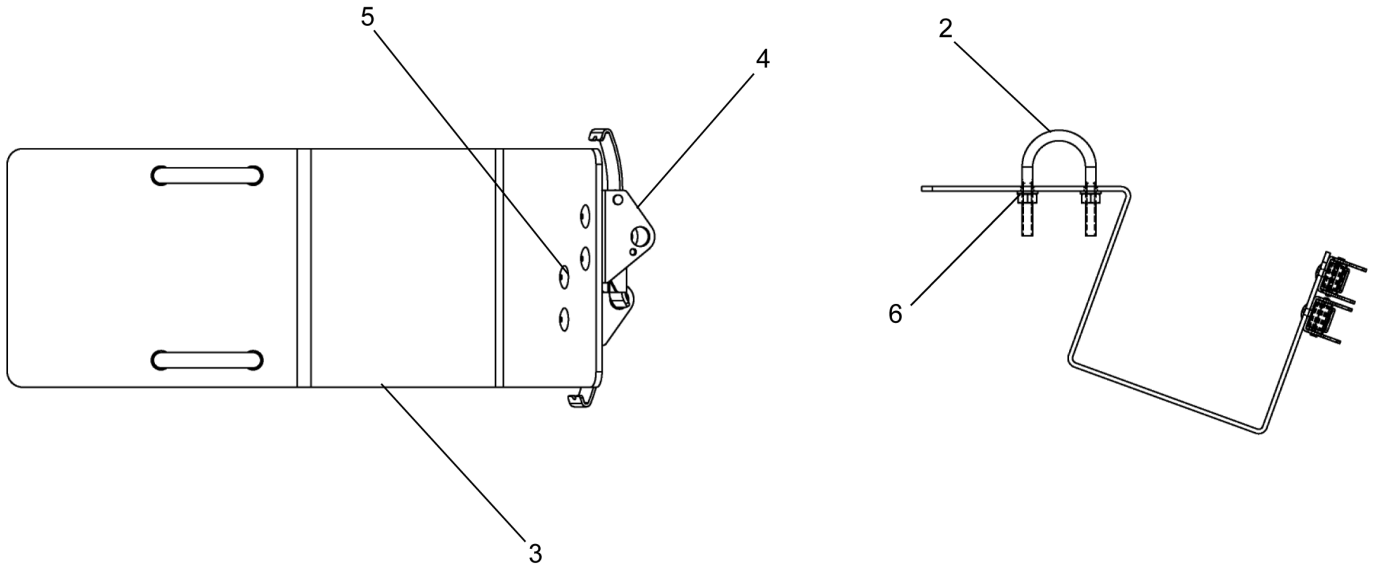
DATE: Revised 11-2011

MODEL: 35-100

PAGE: 246

CHAPTER

3



<u>REF</u>	<u>PART NO.</u>	<u>DESCRIPTION</u>	<u>QTY</u>
	T128721 (Rev. A)	<i>Radio Remote Transmitter INSTL With 2-Man Steel Personnel Platform</i>	
1*	T127520	Bracket ASSY, Remote (Includes Items 2 thru 6)	1
2	220-99062	U-Bolt 1/4 (Fastenal 42001)	2
3	T127239	Bracket, Remote Mount	1
4	T127240	Latch, Draw	2
5	VBB-156X338-E1	RVT, BTNHD, BLND 0.187 X 0.338, SS301/302.	4
6	W07-250X000-20	WSH, LCK, MED SPLT 0.25 ST Z	4

* ITEM NOT SHOWN IN ILLUSTRATION

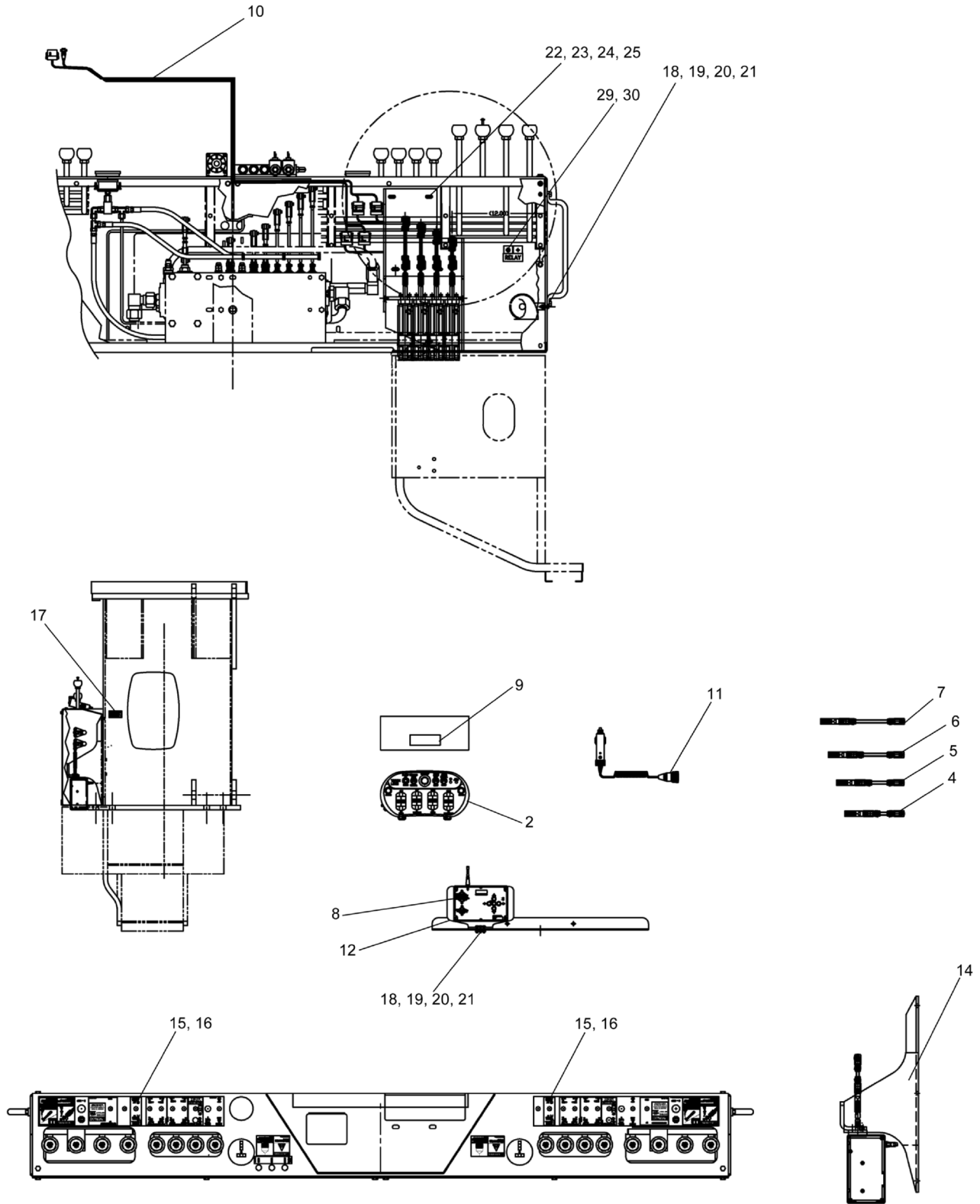
WHEN ORDERING PARTS, SPECIFY MODEL NUMBER, SERIAL NUMBER AND DESCRIPTION OF PARTS REQUIRED



RADIO REMOTE TRANSMITTER INSTALLATION WITH 2-MAN STEEL PERSONNEL PLATFORM

DATE: Released 01-2015
 MODEL: 35-100
 PAGE: 247

**CHAPTER
3**



WHEN ORDERING PARTS, SPECIFY MODEL NUMBER, SERIAL NUMBER AND DESCRIPTION OF PARTS REQUIRED



RADIO REMOTE ASSEMBLY-1 SERIES NEW KAR-TECH

DATE: Revised 03-2018

MODEL: 35-100

PAGE: 248

CHAPTER

3

<u>REF</u>	<u>PART NO.</u>	<u>DESCRIPTION</u>	<u>QTY</u>
	T131687 (Rev. B)	<i>Radio Remote ASSY</i>	
1*	T127004	Kit Radio Remote Control System (see page 250)	1
2	T127365	Radio Remote Transmitter	1
3*	T127100	Actuator Linkage Kit (see page 251)	1
4	T127396	Actuator Linkage Sub ASSY 3.72 (see page 252)	1
5	T127397	Actuator Linkage Sub ASSY 4.59 (see page 253)	1
6	T127367	Actuator Linkage Sub ASSY 5.46 (see page 254)	1
7	T127101	Actuator Linkage Sub ASSY 6.32 (see page 255)	1
8	T127366	Receiver, Main control	1
9	T127259	Decal-Remote Warning	1
10	T127369	Wire Harness, Ranger 4 Crane	1
11	403-00107	Cigarette Light Charger	1
12	T128166	Mounting Bracket	1
13*	T127105	Actuator 3.0 Inch Travel	4
14	T131683	Radio actuator Valve Sub Assembly (see page 256)	1
15	410-04124	Switch, Toggle On/Off	2
16	651-00432	Decal, Remote Control	2
17	650-00663	Decal, Operating INSTRT Radio Remote	2
18	SHF-250CA00-25	SCR, HHCS, FT 0.25-20 X 1.00, ST Z GR5	4
19	WAN-25NX000-20	WSH, FL TYP A NRW 0.25, ST Z	8
20	W07-250X000-20	WSH, LCK, MED SPLT 0.25 ST Z	4
21	N04-250C000-25	Nut, HEX 025-20 ST Z GR5	4
22	SHF-375CA25-25	SCR, HHCS 0.375-16 X 1.25, ST Z GR5	5
23	WAN-37NX000-20	WSH, FL TYP A NRW 0.375, ST Z	5
24	W07-375X000-20	WSH, LCK, MED SPLT 0.375, ST Z	5
25	N04-375C000-25	Nut, HEX 0.375-16 ST Z GR5	5
26*	SL5-190CA25-20	SCR, CEEC, RND MS 10-24 X 1.25, ST Z	4
27*	WAR-190X000-22	WSH, FL TYP A-REG 10, ST Z	4
28*	W07-190X000-20	WSH, LCK, MED SPLT 10 ST Z	4
29	N23-190C000-20	Nut, HEX MACH 10-24, ST Z	6
30	SL4-190C500-25	SCR, STL RND MS 10-24 X 0.50, ST Z GR 5	2
31*	NYL-190C000-22	Nut, HEX, NYL-INS 10-24, ST Z GR2	2

* ITEM NOT SHOWN IN ILLUSTRATION

WHEN ORDERING PARTS, SPECIFY MODEL NUMBER, SERIAL NUMBER AND DESCRIPTION OF PARTS REQUIRED



RADIO REMOTE ASSEMBLY-1 SERIES NEW KAR-TECH

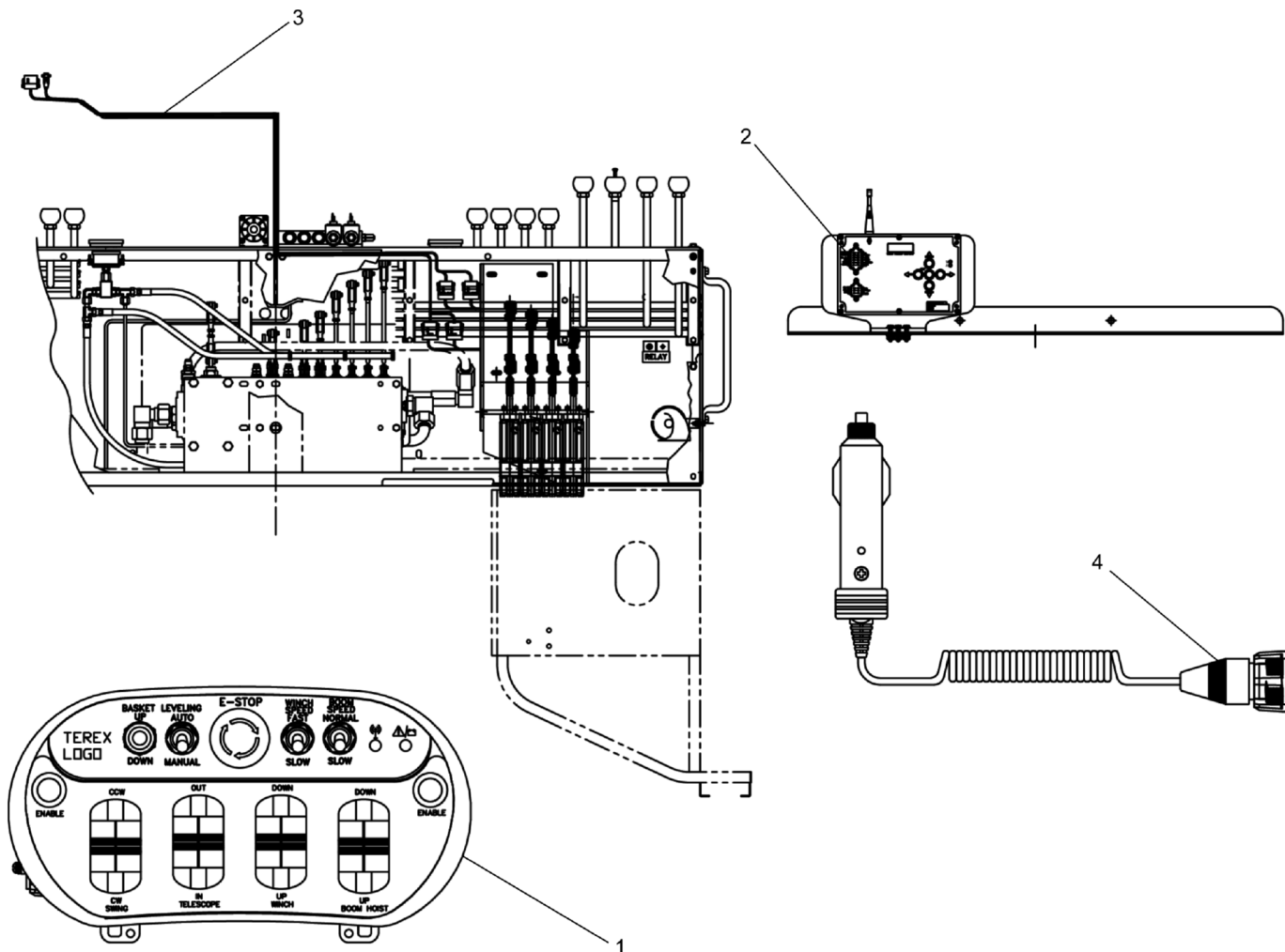
DATE: Revised 03-2018

MODEL: 35-100

PAGE: 249

CHAPTER

3



<u>REF</u>	<u>PART NO.</u>	<u>DESCRIPTION</u>	<u>QTY</u>
	T127004 (Rev. A)	Kit Radio Remote Control System	
1	T127365	Radio Remote Transmitter	1
2	T127366	Receiver, Main control	1
3	T127369	Wire Harness, Ranger 4 Crane	1
4	403-00107	Cigarette Light Charger	1
5*	T127100	Actuator Linkage Kit (see page 251)	1
6*	T127105	Actuator 3.0 Inch Travel	4

* ITEM NOT SHOWN IN ILLUSTRATION.

WHEN ORDERING PARTS, SPECIFY MODEL NUMBER, SERIAL NUMBER AND DESCRIPTION OF PARTS REQUIRED



KIT RADIO REMOTE CONTROL SYSTEM

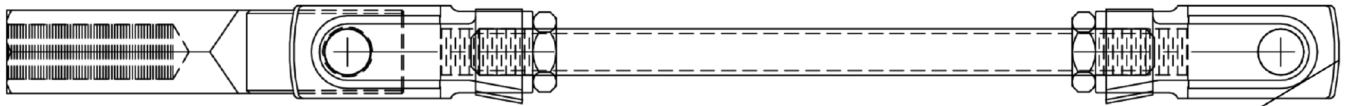
DATE: Revised 01-2015

MODEL: 35-100

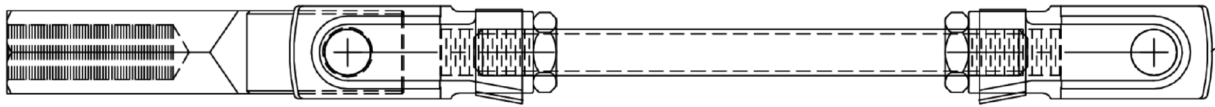
PAGE: 250

CHAPTER

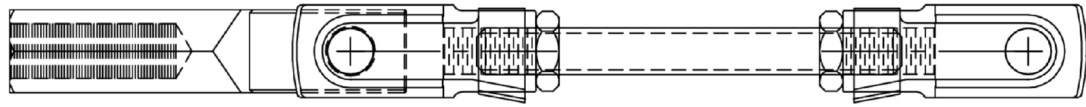
3



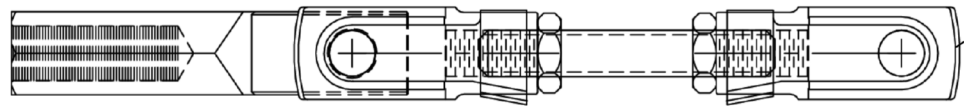
4



3



2



1

<u>REF</u>	<u>PART NO.</u>	<u>DESCRIPTION</u>	<u>QTY</u>
	T127100 (Rev. A)	<i>Actuator Linkage Kit</i>	
1	T127396	Actuator Linkage Sub ASSY 3.72 (see page 252)	1
2	T127397	Actuator Linkage Sub ASSY 4.59 (see page 253)	1
3	T127367	Actuator Linkage Sub ASSY 5.46 (see page 254)	1
4	T127101	Actuator Linkage Sub ASSY 6.32 (see page 255)	1

WHEN ORDERING PARTS, SPECIFY MODEL NUMBER, SERIAL NUMBER AND DESCRIPTION OF PARTS REQUIRED



ACTUATOR LINKAGE KIT

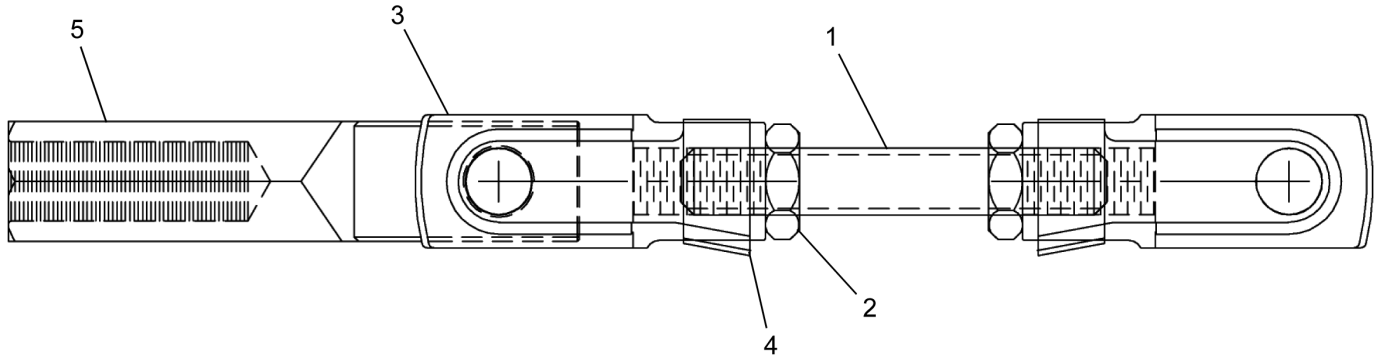
DATE: Revised 01-2015

MODEL: 35-100

PAGE: 251

CHAPTER

3



<u>REF</u>	<u>PART NO.</u>	<u>DESCRIPTION</u>	<u>QTY</u>
	T127396 (Rev. A)	<i>Actuator Linkage Sub ASSY 3.72</i>	
1	806-00279-1	Actuator Link Thread Rod 5/16-24 X 2.00	1
2	N05-312F000-25	Nut, HEX Jam 0.3125-24, ST Z GR5	2
3	809-00510	Clevis Housing 5/16-24 W/5/16 Pin	2
4	809-00511	Clevis Spring Pin 5/16 DIA	2
5	809-00521	Valve Rod End 3/8-25 THRD 5/16 Pin	1

WHEN ORDERING PARTS, SPECIFY MODEL NUMBER, SERIAL NUMBER AND DESCRIPTION OF PARTS REQUIRED



ACTUATOR-LINKAGE-SUB ASSEMBLY-3.72

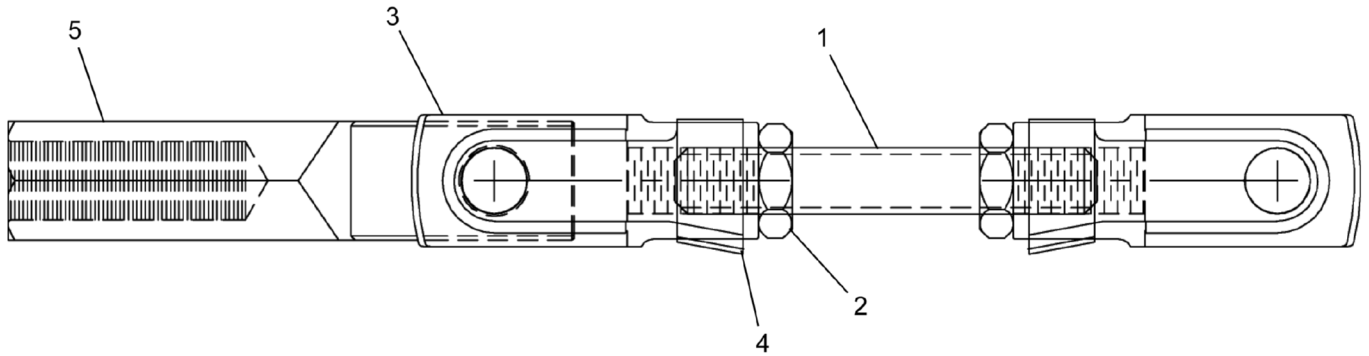
DATE: Released 01-2015

MODEL: 35-100

PAGE: 252

CHAPTER

3



<u>REF</u>	<u>PART NO.</u>	<u>DESCRIPTION</u>	<u>QTY</u>
	T127397 (Rev. A)	<i>Actuator Linkage Sub ASSY 4.59</i>	
1	806-00279-2	Actuator Link Thread Rod 5/16-24 X 2.88	1
2	N05-312F000-25	Nut, HEX Jam 0.3125-24, ST Z GR5	2
3	809-00510	Clevis Housing 5/16-24 W/5/16 Pin	2
4	809-00511	Clevis Spring Pin 5/16 DIA	2
5	809-00521	Valve Rod End 3/8-25 THRD 5/16 Pin	1

WHEN ORDERING PARTS, SPECIFY MODEL NUMBER, SERIAL NUMBER AND DESCRIPTION OF PARTS REQUIRED



ACTUATOR-LINKAGE-SUB ASSEMBLY-4.59

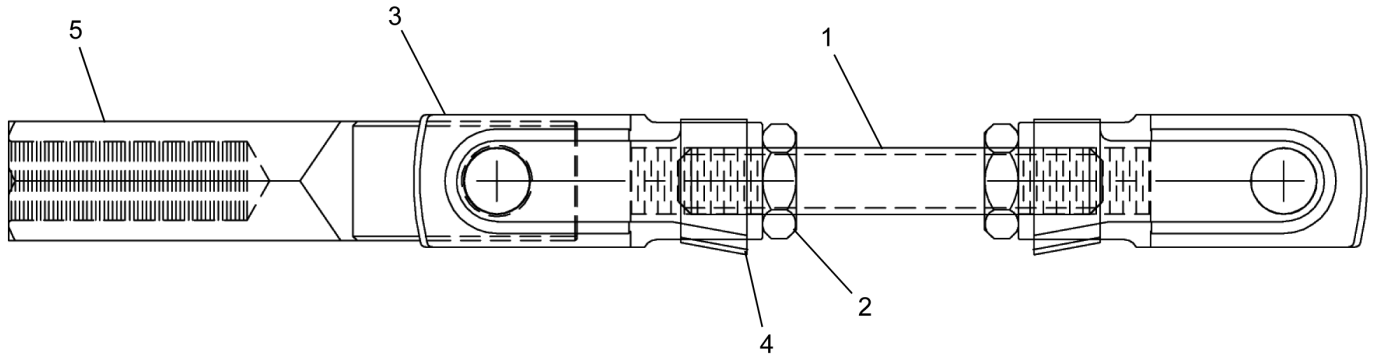
DATE: Released 01-2015

MODEL: 35-100

PAGE: 253

CHAPTER

3



<u>REF</u>	<u>PART NO.</u>	<u>DESCRIPTION</u>	<u>QTY</u>
	T127367 (Rev. A)	Actuator Linkage Sub ASSY 5.46	
1	806-00279-3	Actuator Link Thread Rod 5/16-24 X 3.75	1
2	N05-312F000-25	Nut, HEX Jam 0.3125-24, ST Z GR5	2
3	809-00510	Clevis Housing 5/16-24 W/5/16 Pin	2
4	809-00511	Clevis Spring Pin 5/16 DIA	2
5	809-00521	Valve Rod End 3/8-25 THRD 5/16 Pin	1

WHEN ORDERING PARTS, SPECIFY MODEL NUMBER, SERIAL NUMBER AND DESCRIPTION OF PARTS REQUIRED



ACTUATOR-LINKAGE-SUB ASSEMBLY-5.46

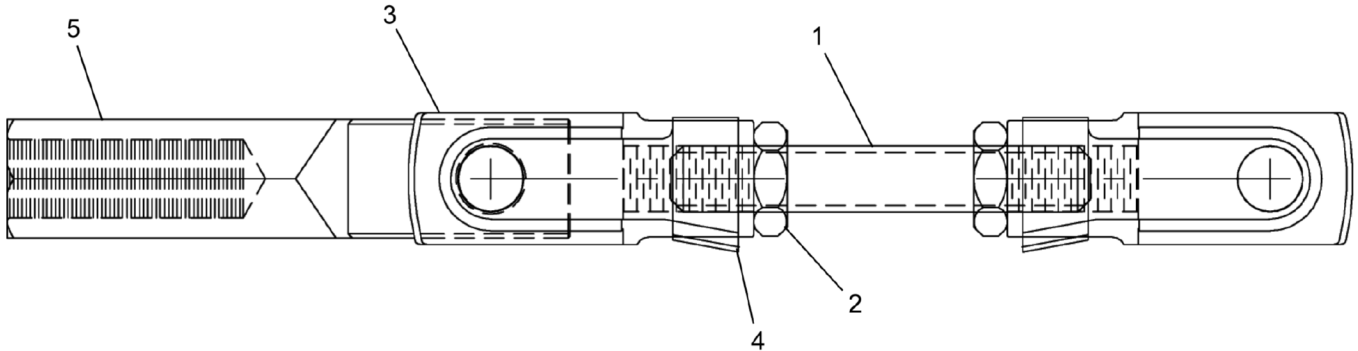
DATE: Released 01-2015

MODEL: 35-100

PAGE: 254

CHAPTER

3



<u>REF</u>	<u>PART NO.</u>	<u>DESCRIPTION</u>	<u>QTY</u>
	T127101 (Rev. A)	<i>Actuator Linkage Sub ASSY 6.32</i>	
1	806-00279-4	Actuator Link Thread Rod 5/16-24 X 4.63	1
2	N05-312F000-25	Nut, HEX Jam 0.3125-24, ST Z GR5	2
3	809-00510	Clevis Housing 5/16-24 W/5/16 Pin	2
4	809-00511	Clevis Spring Pin 5/16 DIA	2
5	809-00521	Valve Rod End 3/8-25 THRD 5/16 Pin	1

WHEN ORDERING PARTS, SPECIFY MODEL NUMBER, SERIAL NUMBER AND DESCRIPTION OF PARTS REQUIRED



ACTUATOR-LINKAGE-SUB ASSEMBLY-6.32

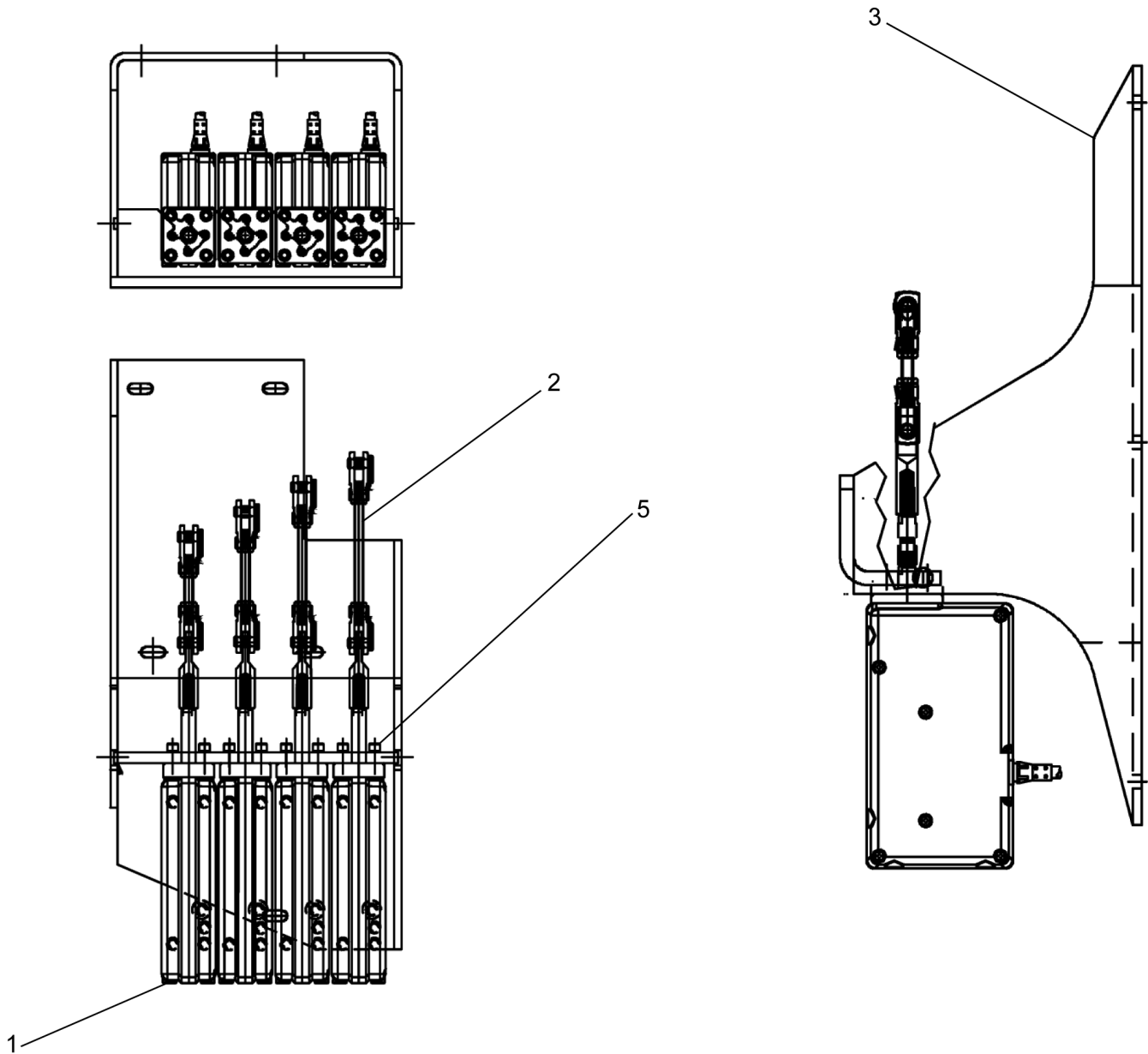
DATE: Revised 01-2015

MODEL: 35-100

PAGE: 255

CHAPTER

3



<u>REF</u>	<u>PART NO.</u>	<u>DESCRIPTION</u>	<u>QTY</u>
	T131683 (Rev. B)	<i>Radio actuator Valve Sub Assembly</i>	
1	T127105	Actuator 3.0 Inch Travel	4
2	T127100	Actuator Linkage Kit (see page 251)	1
3	T131684	Plate, Actuator MTG BRKT	1
4*	S14-250C750-H2	SCR, SHCS, 0.25-20 X 0.75, ST Z	16
5	W07-250X000-20	WSH, LCK, MED SPLT 0.25 ST Z	16

* ITEM NOT SHOWN IN ILLUSTRATION

WHEN ORDERING PARTS, SPECIFY MODEL NUMBER, SERIAL NUMBER AND DESCRIPTION OF PARTS REQUIRED



RADIO ACTUATOR VALVE SUB ASSEMBLY

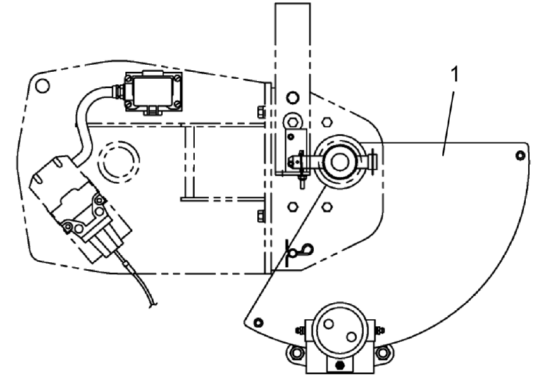
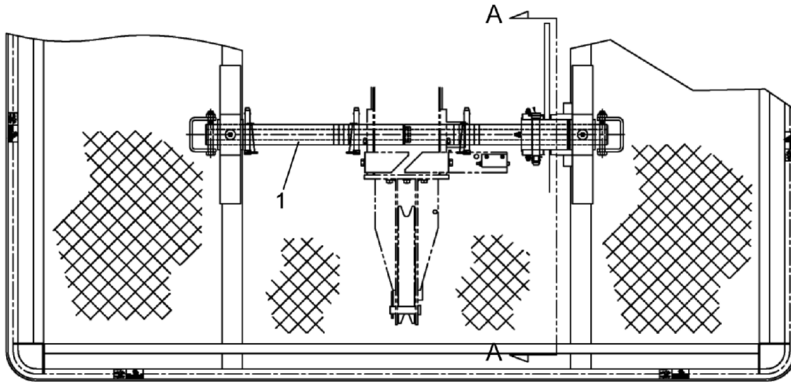
DATE: Revised 01-2015

MODEL: 35-100

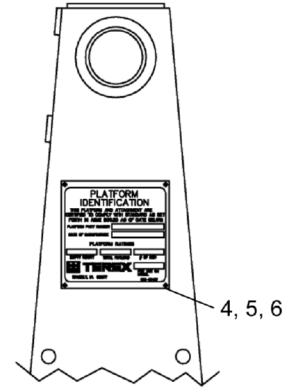
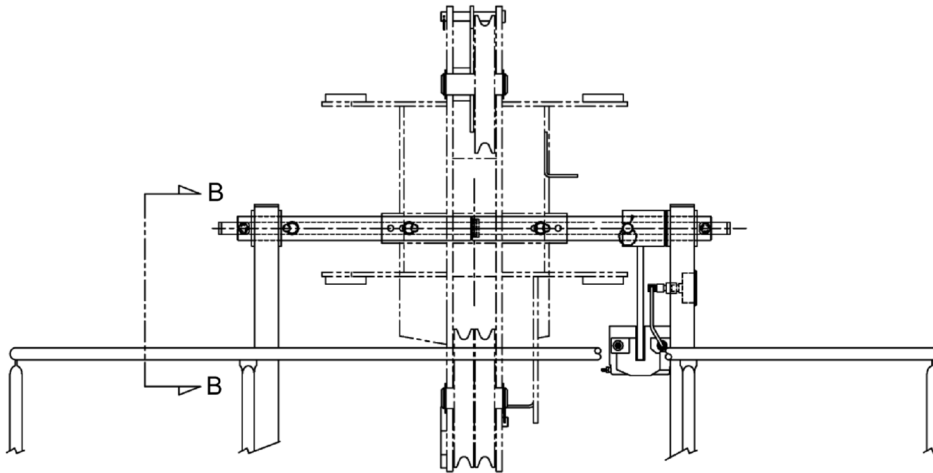
PAGE: 256

CHAPTER

3



VIEW A-A



VIEW B-B

<u>REF</u>	<u>PART NO.</u>	<u>DESCRIPTION</u>	<u>QTY</u>
	731-30014 (Rev. 00)	2 Man Steel Platform INSTL	
1	730-20433	2 Man Steel Platform Assembly (see page 260)	1
2*	209-00434	Aerial Lanyard-Shock Absorb	2
3*	209-00809	Safety Harness	2
4	1006874	Platform Identification Plate	1
5	226-00023-5	Pop Rivet, ALUM, 0.125 DIA X 0.462 LG	4
6	652-00577	1 or 2 Man Platform Stamping INFO Chart	Ref

* ITEM NOT SHOWN IN ILLUSTRATION

WHEN ORDERING PARTS, SPECIFY MODEL NUMBER, SERIAL NUMBER AND DESCRIPTION OF PARTS REQUIRED



2 MAN STEEL PLATFORM ASSEMBLY

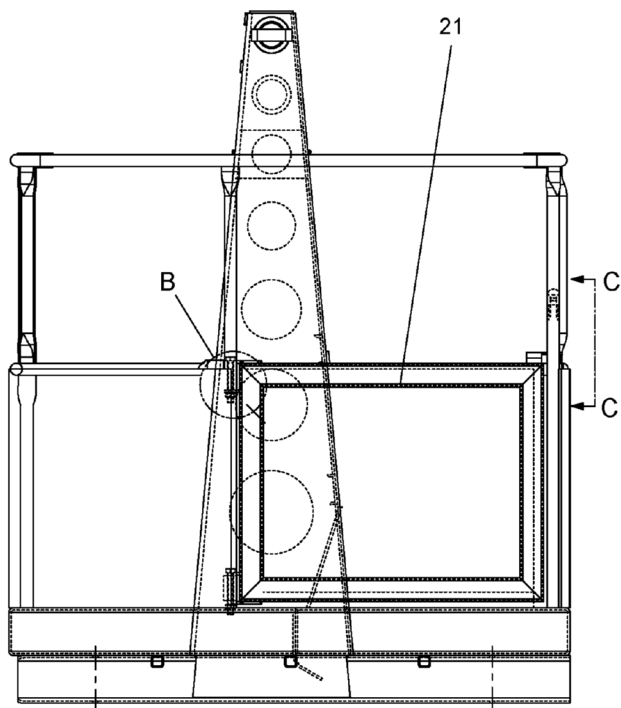
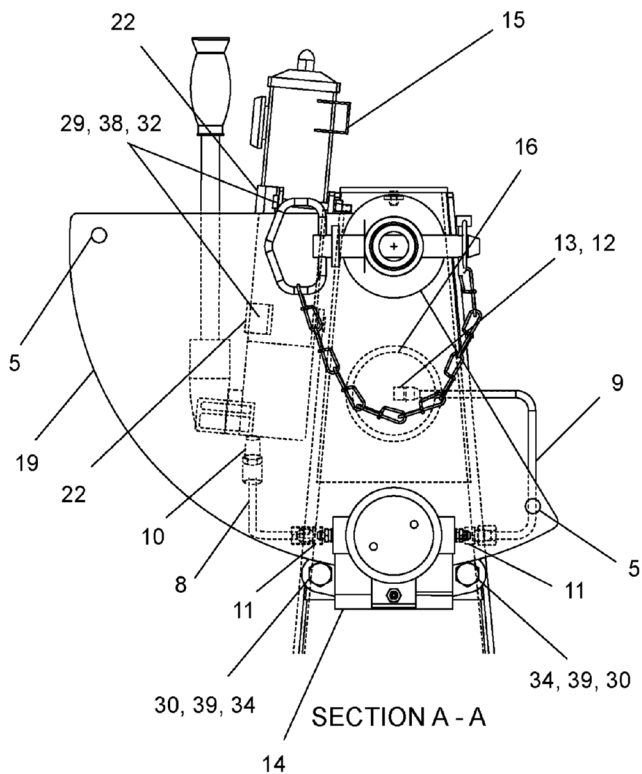
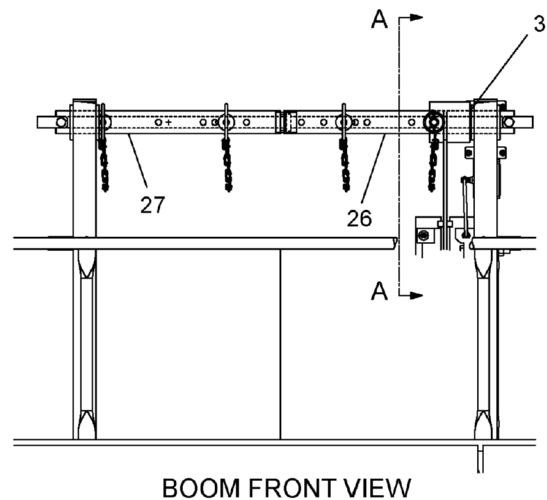
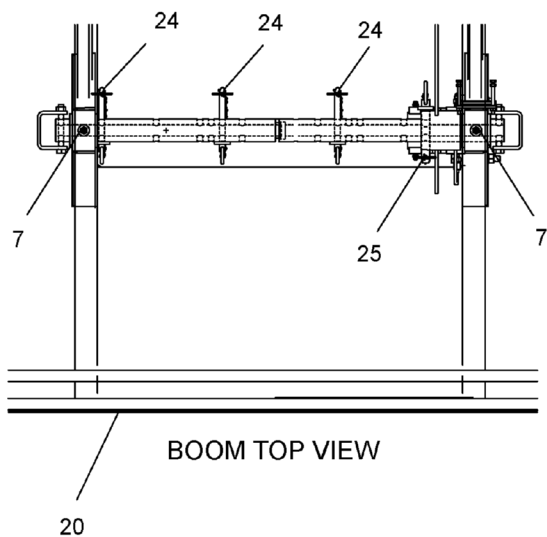
DATE: Revised 08-2013

MODEL: 35-100

PAGE: 257

CHAPTER

3



WHEN ORDERING PARTS, SPECIFY MODEL NUMBER, SERIAL NUMBER AND DESCRIPTION OF PARTS REQUIRED



2 PERSON STEEL PLATFORM ASSEMBLY

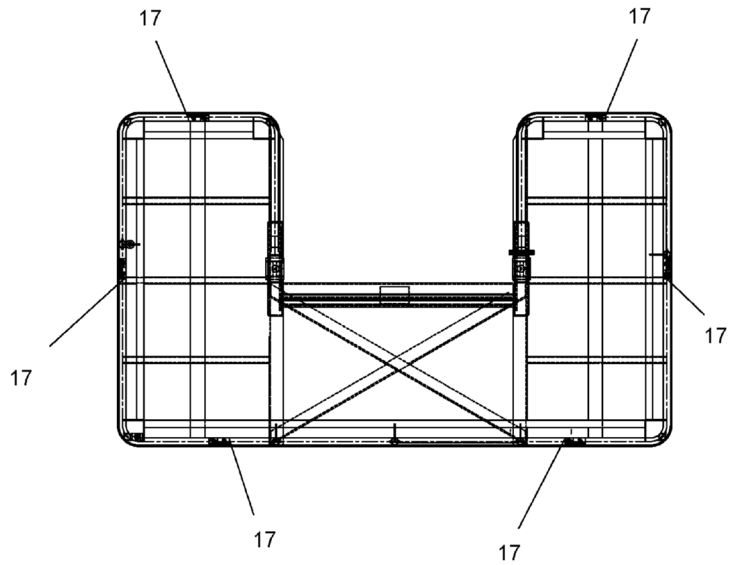
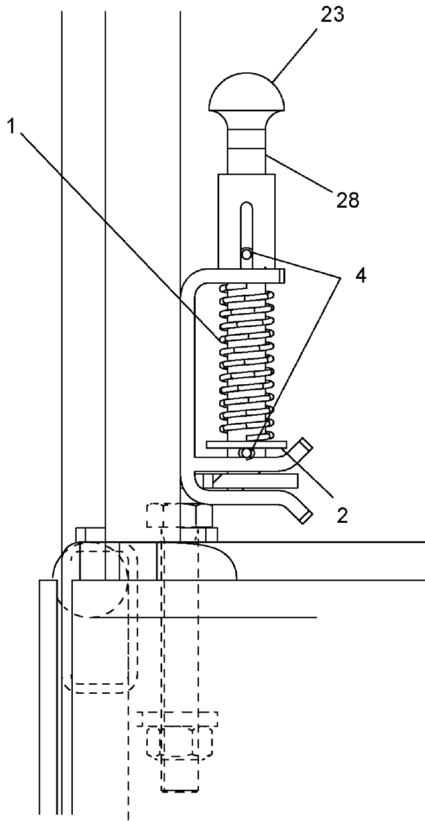
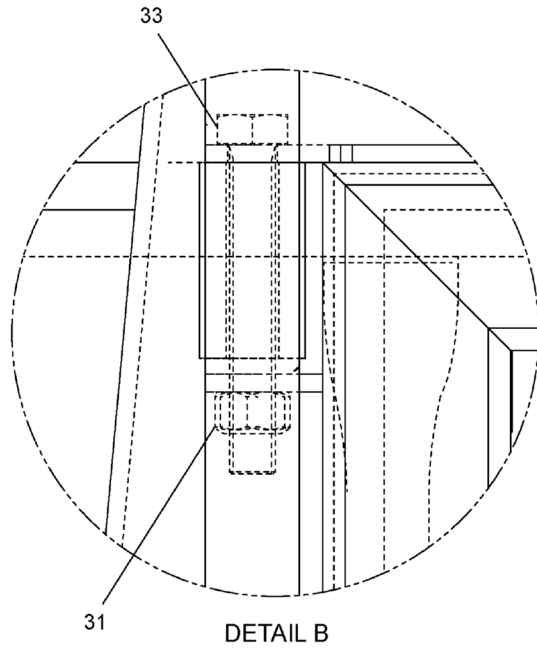
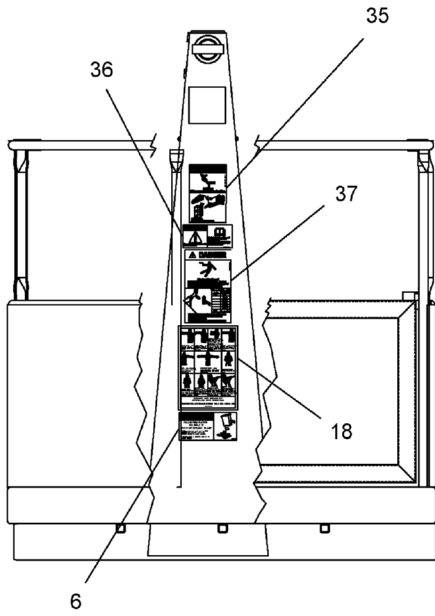
DATE: Revised 09-2017

MODEL: 35-100

PAGE: 258

CHAPTER

3



WHEN ORDERING PARTS, SPECIFY MODEL NUMBER, SERIAL NUMBER AND DESCRIPTION OF PARTS REQUIRED



2 PERSON STEEL PLATFORM ASSEMBLY

DATE: Revised 09-2017

MODEL: 35-100

PAGE: 259

CHAPTER

3

<u>REF</u>	<u>PART NO.</u>	<u>DESCRIPTION</u>	<u>QTY</u>
	730-20433 (Rev. D)	2 Man Steel Platform Assembly	
1	202-10077	Spring, Compression	1
2	222-04011	Flatwasher-Special	1
3	222-29011	Mach BSHG-3 OD X2ID X14GA(E1N)	4
4	224-12009	Roll Pin, 1/8 X 1 LG PLT	2
5	224-19017	Roll Pin 1/2 OD X 1 1/4 LG	2
6	419264A	Platform Danger Decal (LOAD KING TEL)	2
7	501-03001	Fitting, Lube Straight 1/4 -28 UNF	2
8	510-20447	Tube ASSY, Pump-2-Man PLTFRM	1
9	510-20448	Tube ASSY, Brake-2-Man PLTFRM	1
10	513-20001	CONN STL 1/4JIC 1/4MPT	1
11	513-20002	CONN TOMPK#6400-4	2
12	513-20006	CONN STL 1/4JIC 1/4FPT	1
13	514-62001	Elbow	1
14	559-00055	Hydraulic Brake-Mico	1
15	559-00056	Hand Pump-ENERPAC	1
16	600-40280	Pressure Gauge-Console	1
17	1006869	Decal-Hands Off Rail	6
18	652-00496	Decal, Crane Hand Signals	2
19	730-20338	Hydraulic Brake Disc Segment	1
20	730-20434	Weldment 2-Man Platform	1
21	730-20441	Weldment 2-Door ST Platform	1
22	771-00128	Hand Pump BRKT-New Design	2
23	808-00031	Push Pull KNOB Black	1
24	870-00131	Pin ASSY, Jib Restrain	3
25	870-00149	Hitch Pin ASSY, 3/4 DIA	1
26	870-60220	LH 2-Man Platform Pin ASSY (see page 261)	1
27	870-60222	RH 2-Man Platform Pin ASSY (see page 262)	1
28	870-80013	Pin, Latch	1
29	N04-250C000-25	Nut, HEX 025-20 ST Z GR5	4
30	N04-500C000-25	Nut, HEX 0.50-13, ST Z GR5	2
31	NTP-500C000-2C	Nut, HEX TPLCK 0.50-13, ST SQC GC	2
32	S01-250CB50-25	SCR, HHCS 0.25-20X2.50, ST Z GR5	4
33	SHF-500CC50-25	SCR, HHCS FT 0.50-13X3.50, ST Z G5	2
34	SHF-500CD00-25	SCR, HHCS FT 0.50-13 X 4.00, ST SQC G5	2
35	T121866	Decal, JIB Removal W/Lift Attach	2
36	T127259	Decal-Remote Warning	2
37	1007054	Decal, Personnel Platform Electrocution	2
38	W07-250X000-20	WSH, LCK, MED SPLT 0.25 ST Z	4
39	W07-500X000-20	WSH, LCK, MED SPLT 0.50, ST SQC	2

WHEN ORDERING PARTS, SPECIFY MODEL NUMBER, SERIAL NUMBER AND DESCRIPTION OF PARTS REQUIRED



2 PERSON STEEL PLATFORM ASSEMBLY

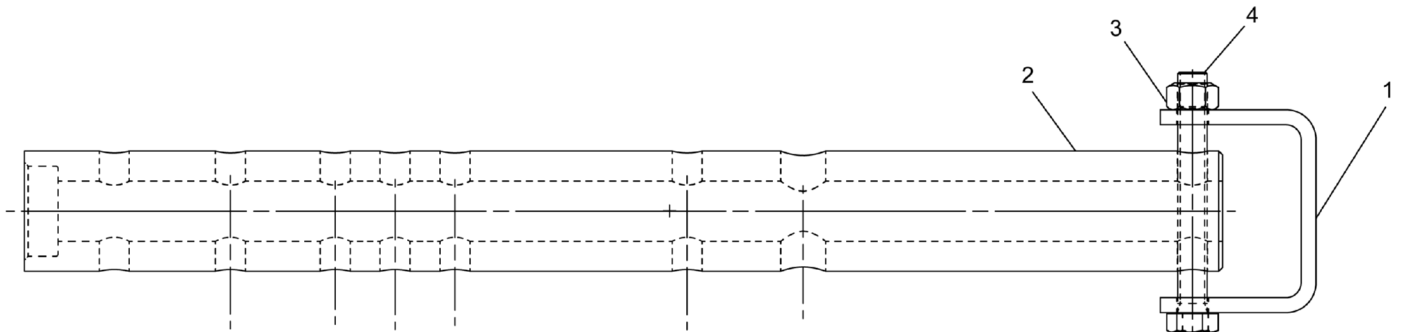
DATE: Revised 09-2017

MODEL: 35-100

PAGE: 260

CHAPTER

3



<u>REF</u>	<u>PART NO.</u>	<u>DESCRIPTION</u>	<u>QTY</u>
	870-60220 (Rev. B)	<i>LH 2-Man Platform Pin ASSY</i>	
1	729-02576	Pin Handle	1
2	870-60219	Pin, 2-Man Platform LH	1
3	NTP-500C000-2C	Nut, HEX TPLCK 0.50-13, ST SQC GC	1
4	SHF-500CD00-25	SCR, HHCS FT 0.50-13 X 4.00, ST SQC G5	1

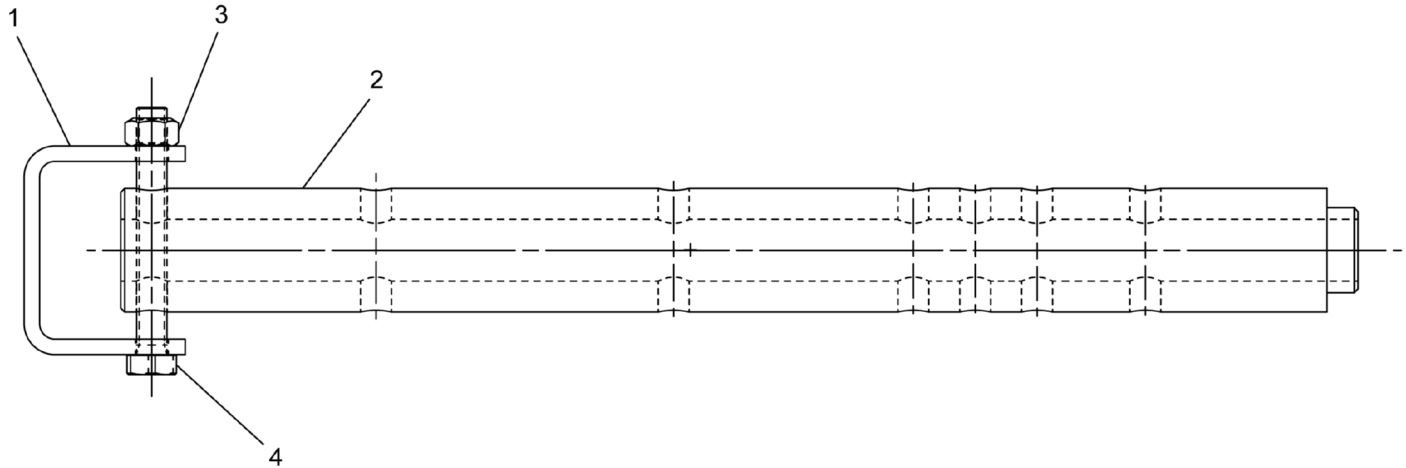
WHEN ORDERING PARTS, SPECIFY MODEL NUMBER, SERIAL NUMBER AND DESCRIPTION OF PARTS REQUIRED



PIN ASSEMBLY, 2MAN PLATFORM-LH

DATE: Released 05-2018
MODEL: 35-100
PAGE: 261

CHAPTER
3



<u>REF</u>	<u>PART NO.</u>	<u>DESCRIPTION</u>	<u>QTY</u>
	870-60222 (Rev. B)	<i>RH 2-Man Platform Pin ASSY</i>	
1	729-02576	Pin Handle	1
2	870-60221	Pin, 2-Man Platform RH	1
3	NTP-500C000-2C	Nut, HEX TPLCK 0.50-13, ST SQC GC	1
4	SHF-500CD00-25	SCR, HHCS FT 0.50-13 X 4.00, ST SQC G5	1

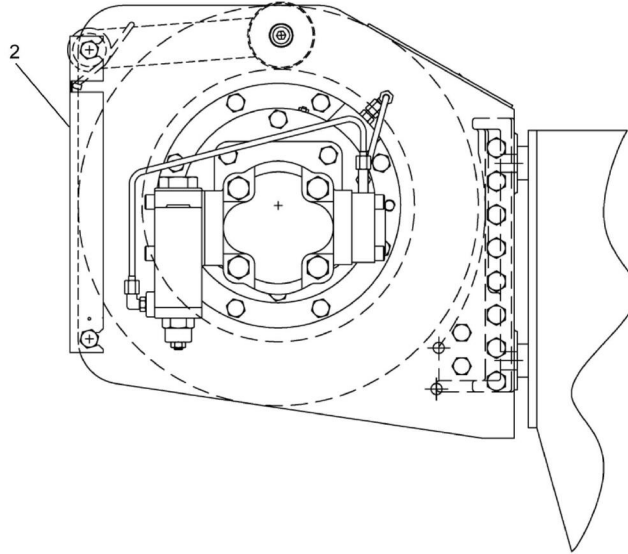
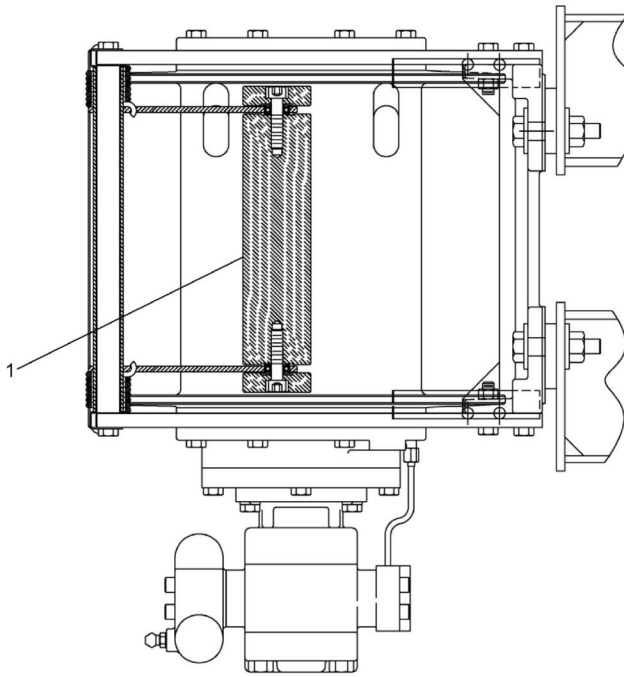
WHEN ORDERING PARTS, SPECIFY MODEL NUMBER, SERIAL NUMBER AND DESCRIPTION OF PARTS REQUIRED



PIN ASSEMBLY, 2MAN PLATFORM-RH

DATE: Released 04-2018
MODEL: 35-100
PAGE: 262

CHAPTER
3



<u>REF</u>	<u>PART NO.</u>	<u>DESCRIPTION</u>	<u>QTY</u>
	717-00054-3 (Rev. C)	<i>Cable Tensioner Installation (White)</i>	
1	901-00430	Tensioner, Winch	1
2	802-01627.2	Cover, Winch Cable	1

WHEN ORDERING PARTS, SPECIFY MODEL NUMBER, SERIAL NUMBER AND DESCRIPTION OF PARTS REQUIRED



WINCH CABLE TENSIONER (WHITE)

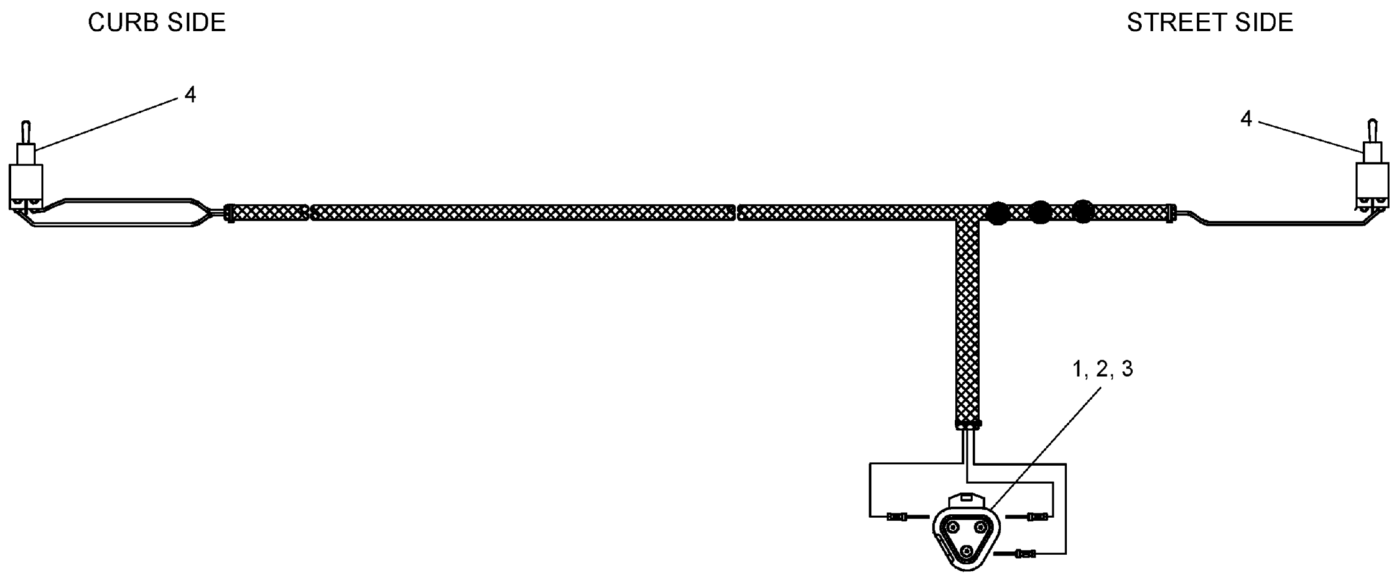
DATE: Revised 11-2011

MODEL: 35-100

PAGE: 263

CHAPTER

3



<u>REF</u>	<u>PART NO.</u>	<u>DESCRIPTION</u>	<u>QTY</u>
	T120099 (Rev. A)	<i>Harness, Bump Throttle</i>	
1	DT04-3P	Connector	1
2	W3P	Wedge Lock	1
3	0460-215-16141	Pin	3
4	2NT1-50	Switch Toggle, On-On-Mom On	2

WHEN ORDERING PARTS, SPECIFY MODEL NUMBER, SERIAL NUMBER AND DESCRIPTION OF PARTS REQUIRED



HARNES, BUMP THROTTLE

DATE: Released 11-2017

MODEL: 35-100

PAGE: 264

CHAPTER

3

CHAPTER NO. 4

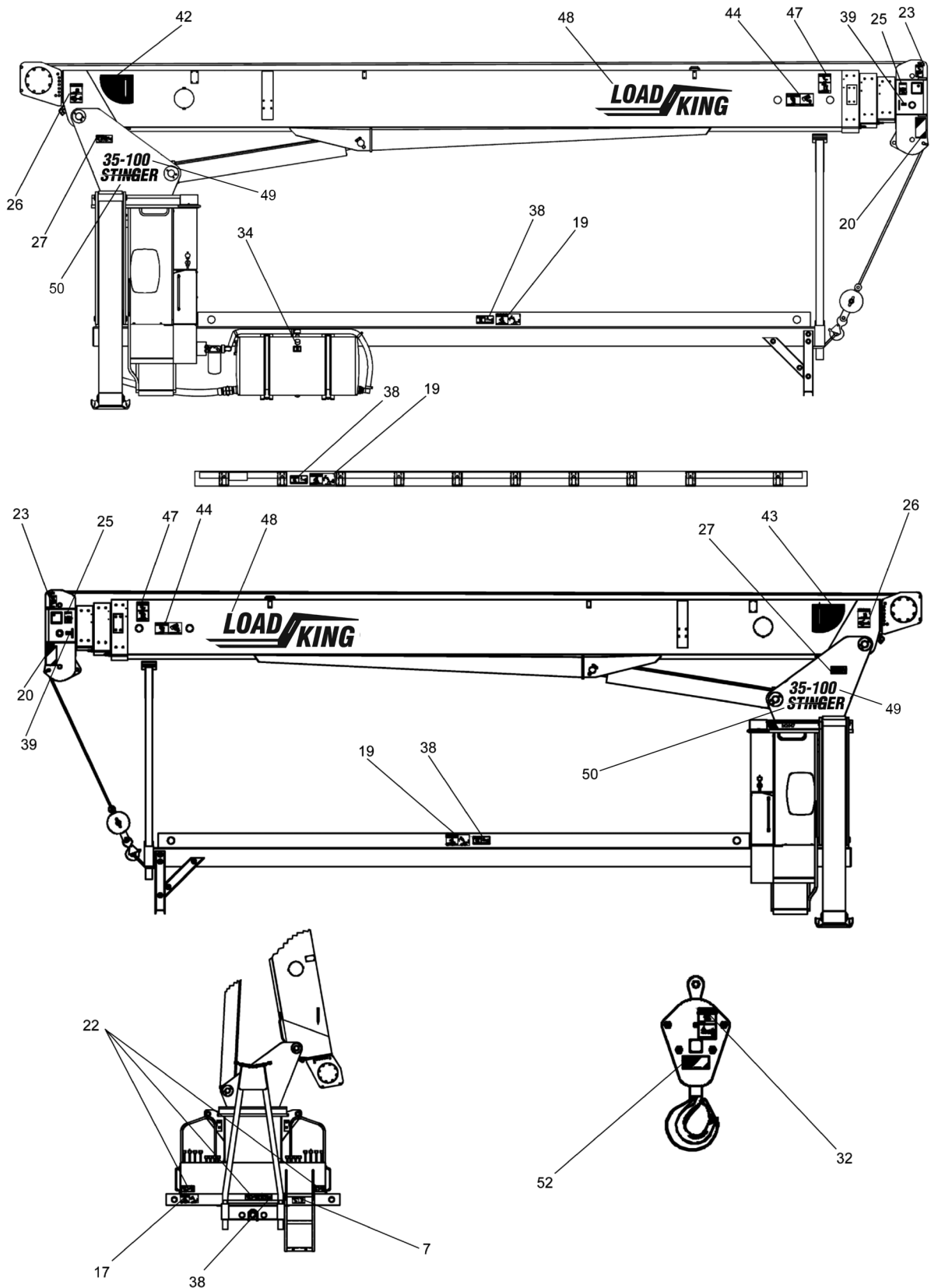
PAINT & MARKING

<u>REF</u>	<u>PART NO.</u>	<u>DESCRIPTION</u>	<u>QTY</u>
	35-100-DECALS (Rev. 00)	<i>PAINT & MARKING</i>	
1	655-00001-36	Decals (White) W/ Logo (see page 273)	1
2	T111596-12	Spanish Decals Kit (see page 278)	1
3	659-00500-10	100' 2nd Stage Boom Marking-English (see page 280)	1
3A	659-00500-34	100' 2nd Stage Boom Marking-Metric (see page 282)	1
4**	T129463	2-Man Steel Platform Manual, Decals- English (see page 283)	1
4A	T129464	2-Man Steel Platform Manual, Decals- Metric (see page 286)	1

** ITEM NOT SHOWN IN ILLUSTRATION

WHEN ORDERING PARTS, SPECIFY MODEL NUMBER, SERIAL NUMBER AND DESCRIPTION OF PARTS REQUIRED

	<h2>PAINT & MARKING</h2>	DATE: Revised 10-2017	CHAPTER 4
		MODEL: 35-100	
		PAGE: 268	



WHEN ORDERING PARTS, SPECIFY MODEL NUMBER, SERIAL NUMBER AND DESCRIPTION OF PARTS REQUIRED



MARKING DECAL PLACEMENT (BLACK)

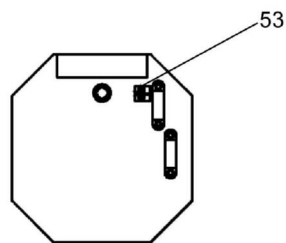
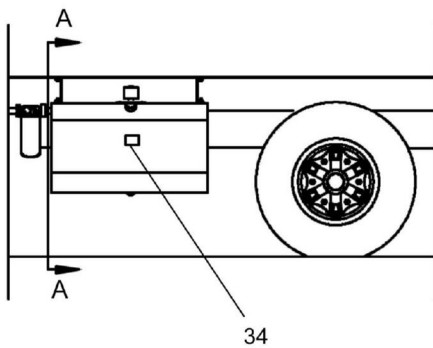
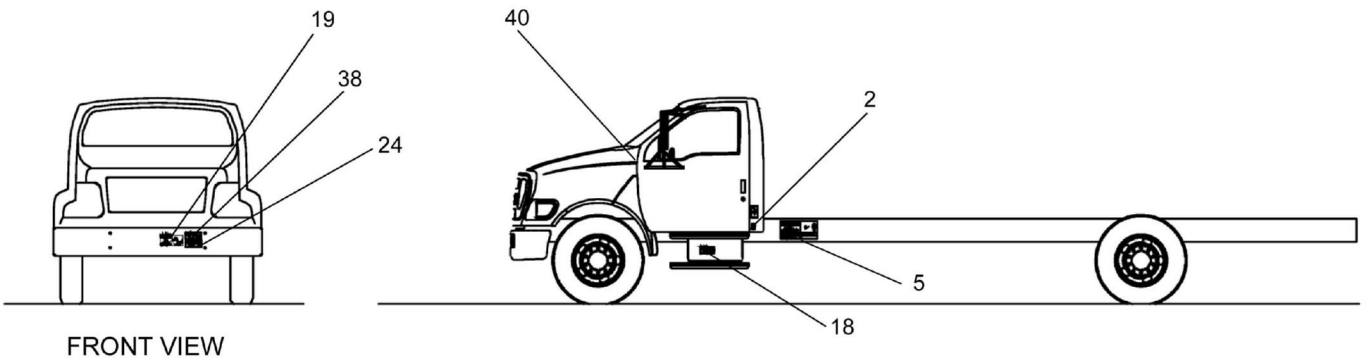
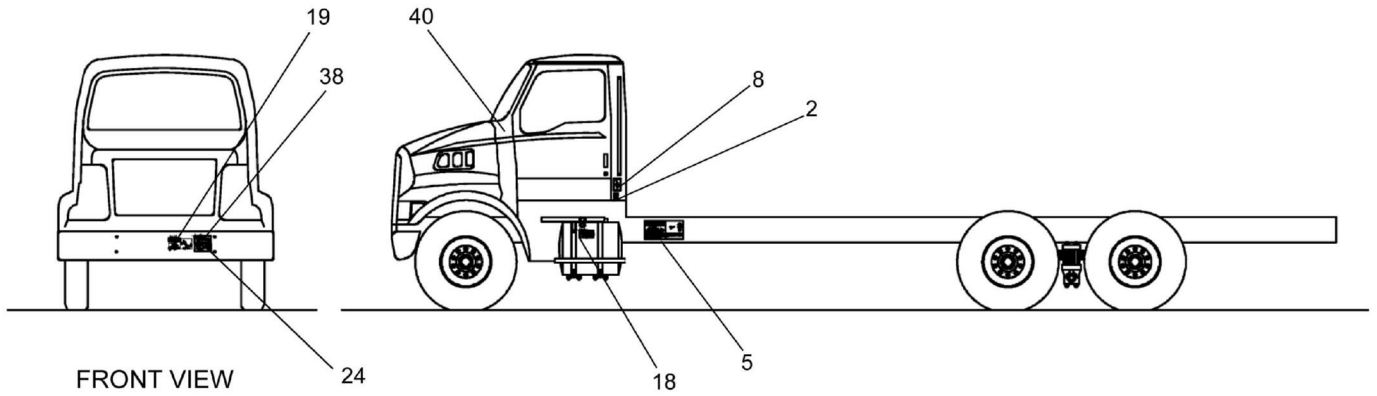
DATE: Revised 05-2017

MODEL: 35-100

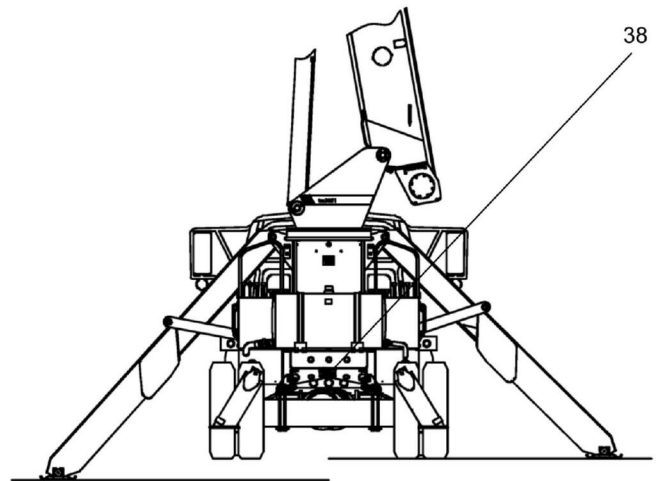
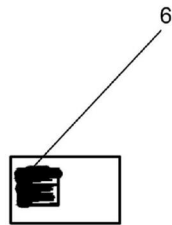
PAGE: 269

CHAPTER

4



VIEW A-A



WHEN ORDERING PARTS, SPECIFY MODEL NUMBER, SERIAL NUMBER AND DESCRIPTION OF PARTS REQUIRED



MARKING DECAL PLACEMENT (BLACK)

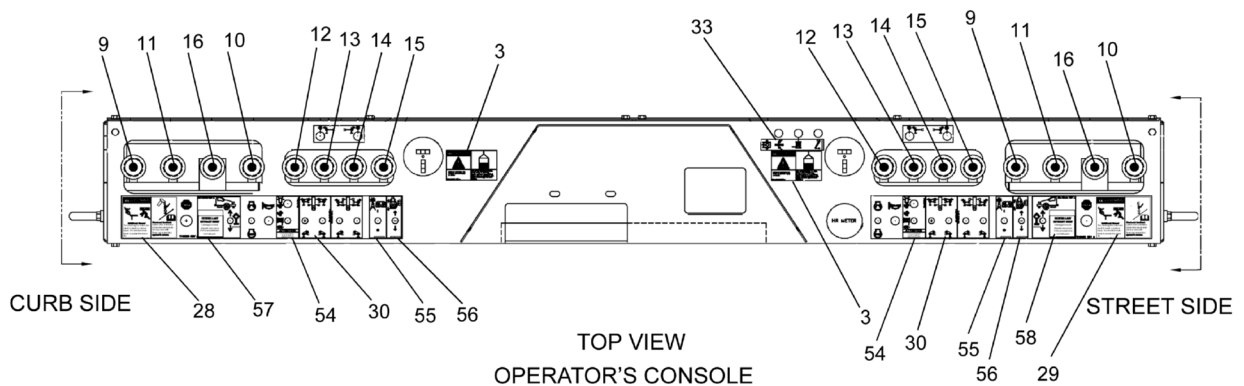
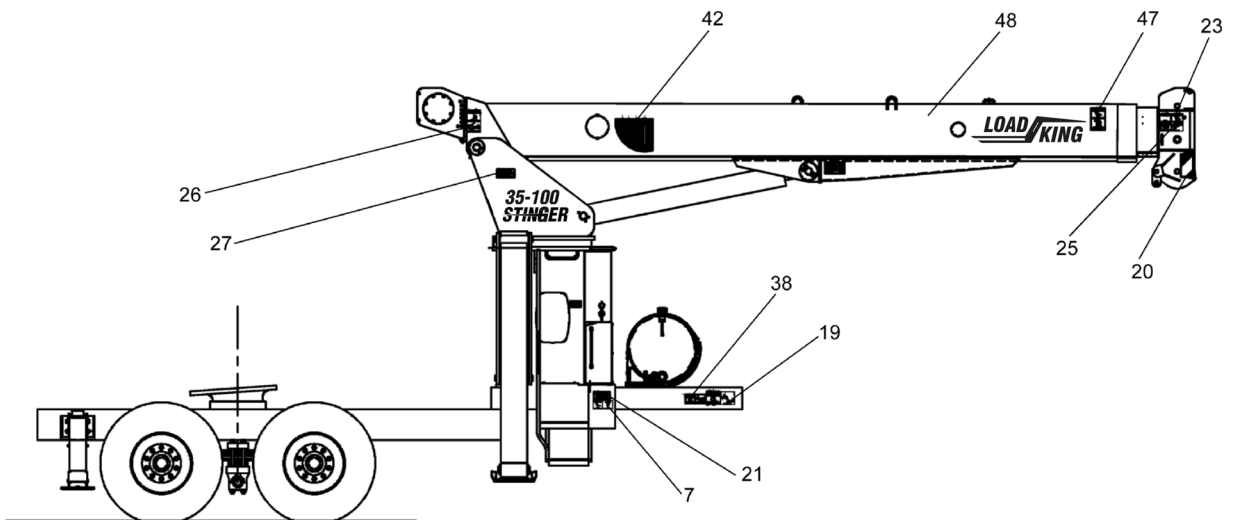
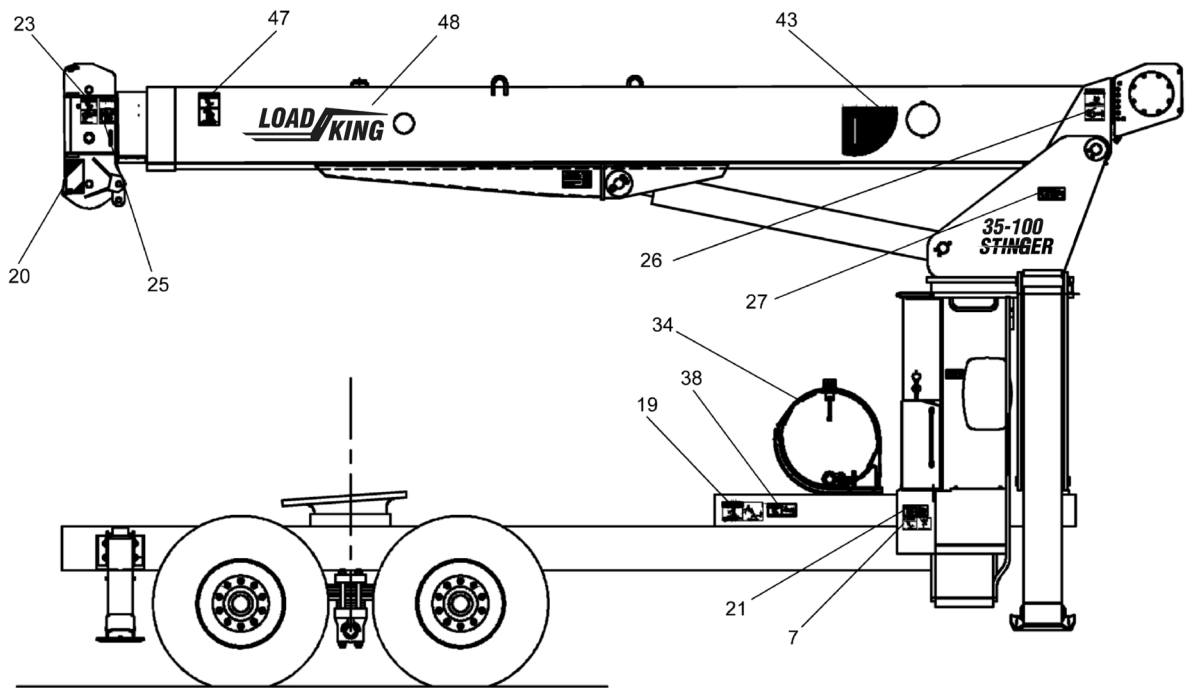
DATE: Revised 05-2017

MODEL: 35-100

PAGE: 270

CHAPTER

4



WHEN ORDERING PARTS, SPECIFY MODEL NUMBER, SERIAL NUMBER AND DESCRIPTION OF PARTS REQUIRED



MARKING DECAL PLACEMENT (BLACK)

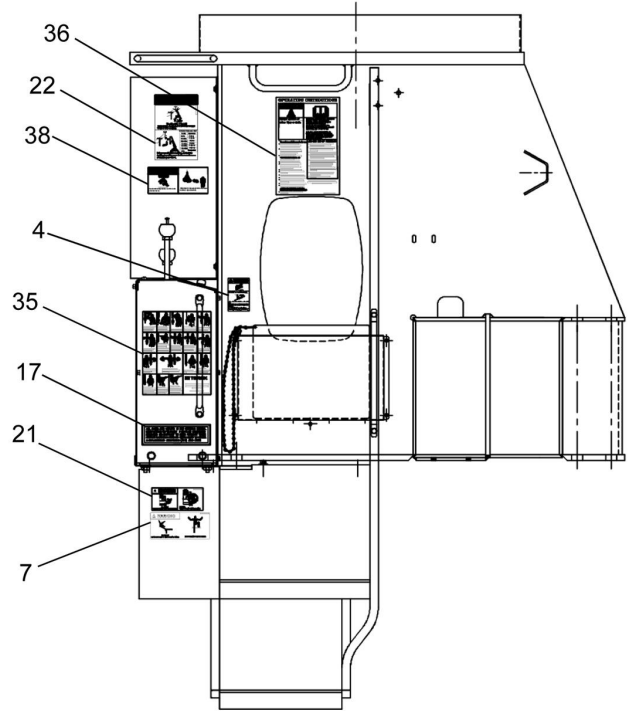
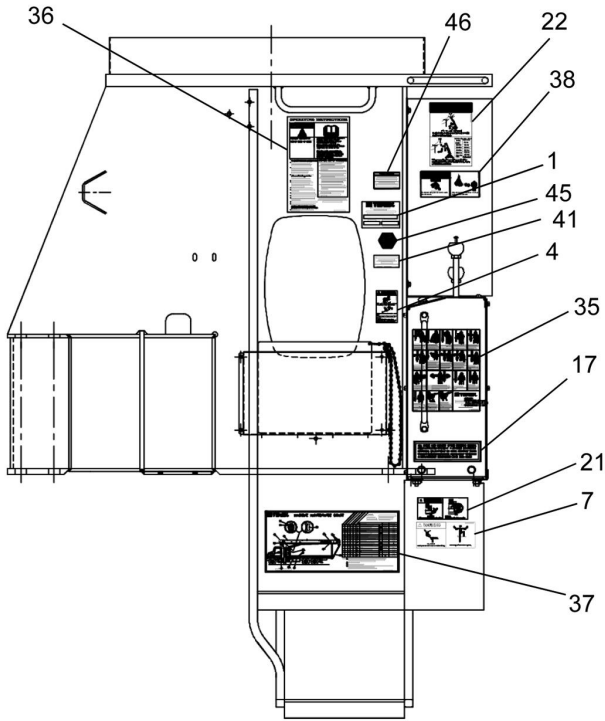
DATE: Revised 05-2017

MODEL: 35-100

PAGE: 271

CHAPTER

4



WHEN ORDERING PARTS, SPECIFY MODEL NUMBER, SERIAL NUMBER AND DESCRIPTION OF PARTS REQUIRED



MARKING DECAL PLACEMENT (BLACK)

DATE: Revised 05-2017

MODEL: 35-100

PAGE: 272

CHAPTER

4

REF	PART NO.	DESCRIPTION	QTY
	655-00001-12 (Rev. AD)	<i>Decals (Black) W/Load King Logo</i>	
1	1007087	Pin Plate Decal	1
2	12400-1003	Decal - Fire Extinguisher	1
3	651-00470	Decal - Personnel Lifting	2
4	12400-1503	Decal - Skin Injection	2
5	1006841	Decal - Entanglement	2
6	651-00473	Decal - Battery Danger	1
7	12400-1516	Decal - Fall Hazard	3
8	T141898	Decal - Fall Hazard	2
9	650-00329	Decal - Boom Swing Control	2
10	650-00330	Decal - Boom Hoist Control	2
11	650-00411	Decal - Boom Telescoping CONT..	2
12	650-00431	Decal - C.S. Main O/R Control	2
13	650-00432	Decal - S.S. Main O/R Control	2
14	650-00433	Decal - C.S. AUX O/R Control	2
15	650-00434	Decal - S.S. AUX O/R Control	2
16	650-00654	Decal - Combined Flow Winch CONT..	2
17	651-00253	Decal - Warning All	2
18	12400-1508	Decal - Danger, Diesel Explosion/Burn	1
19	T106560	Decal - Electrocutation HAZ Person	4
20	T105672	Decal, Boom Head Strip	2
21	1006867	Decal - No Ride Step/Platform	2
22	1006868	Decal - Electrocutation Hazard	2
23	T121866	Decal, JIB Removal W/Lift Attach	2
24	651-00415	Decal - No Riding Boom/Jib/Load	4
25	T121867	Decal - Lanyard Hook Location	2
26	651-00424	Decal - Load Line Crush Hazard	2
27	651-00425	Decal - BM/Turret Crush Hazard	2
28	T112399	Decal - Console, C.S.	1
29	T112400	Decal - Console, S.S.	1
30	651-00430	Decal - AUX Outrigger	2
31*	651-00431	Decal - Main Outrigger	2
32	T140607	Decal - Crush, Stay Clear Load (VERT)	2
33	651-00442	Decal - Test Ports	1
34	652-00073	Decal - Hydraulic Oil Only	1
35	1006862	Decal - Crane Hand Signals	2
36	1006870	Decal - Operating Instructions	2
37	1006835	Decal - Machine Maintenance Chart	1
38	T139673	Decal - Crush, Stay Clear Load (HORZ)	4
39	T127341	Decal, LANYARD Hook	2
40	652-00575	Placard - Operating Instructions	1
41	653-00229	Decal - Stability Certification	1
42	1006872	Decal - Boom Angle Indicator, R.H.	1
43	1006873	Decal - Boom Angle Indicator, L.H.	1
44	653-00411	Decal - Crush Hazard	2
45	T153766	Decal, Product Support	1
46	1007065	Decal, Product Registration	1
47	651-00416	Decal, Safe Elevated Access	2
48	1007067	10" LOAD KING Decal	2
49	1006852	35-100 Decal	1

* ITEM NOT SHOWN IN ILLUSTRATION

WHEN ORDERING PARTS, SPECIFY MODEL NUMBER, SERIAL NUMBER AND DESCRIPTION OF PARTS REQUIRED



MARKING DECAL PLACEMENT (BLACK)

DATE: Revised 05-2017

MODEL: 35-100

PAGE: 273

CHAPTER

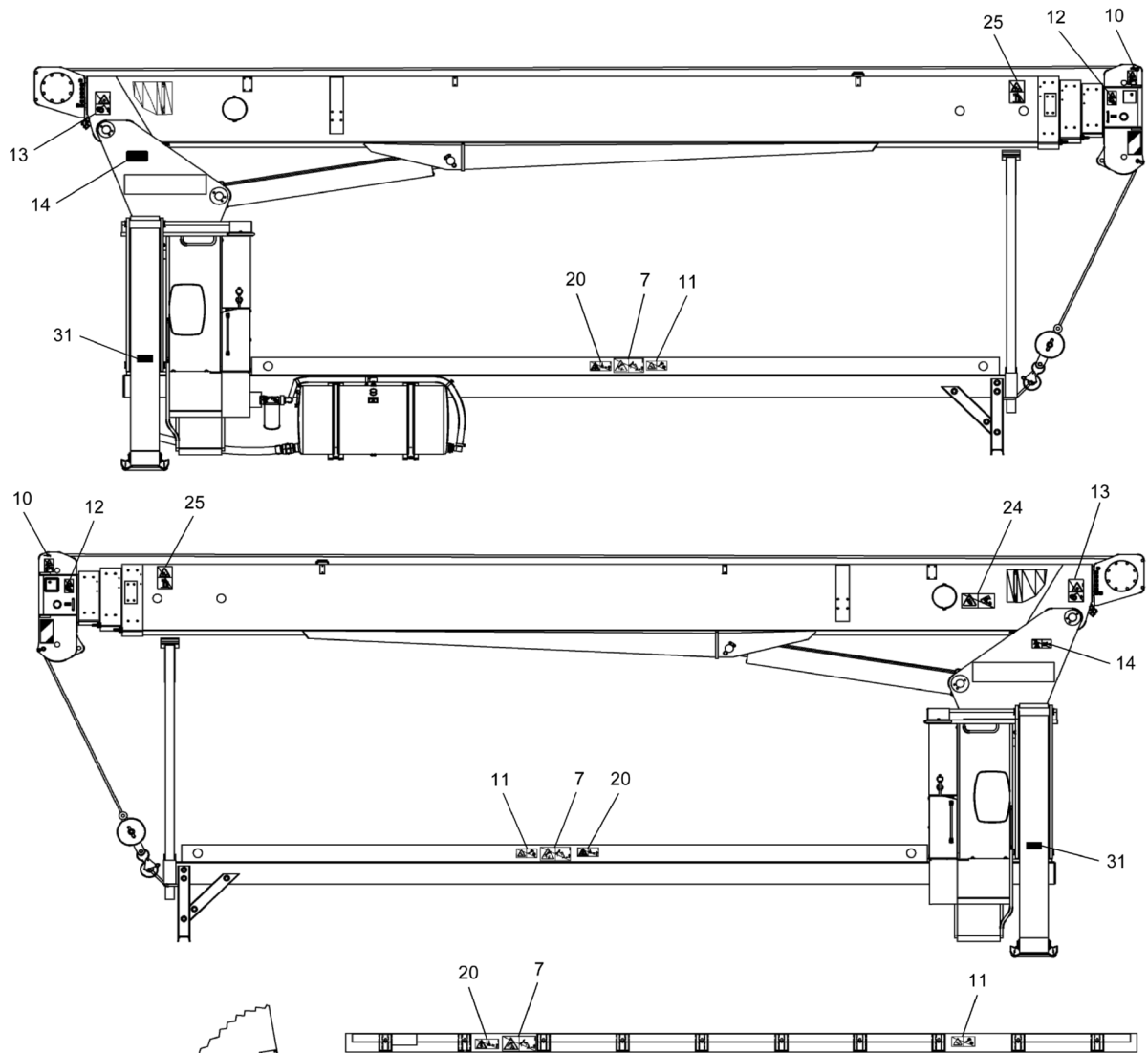
4

<u>REF</u>	<u>PART NO.</u>	<u>DESCRIPTION</u>	<u>QTY</u>
	655-00001-12 (Rev. AD)	<i>Decals (Black) W/Load King</i>	
50	1006824	Stinger Decal	1
51*	T124806	Decal - Rear MTG Fifth O/R Control, S.S.	1
52	1007053	Decal - Safety Stripe 2.5 X 5.5 (Block)	2
53	651-00418	Decal - HYD. Oil Level	1
54	651-00429	Decal, Motor Shift Winch	2
55	651-00432	Decal, Remote Control	2
56	651-00433	Decal - Platform Leveling	2
57	651-00428	Decal - Fifth O/R Control, C.S.	1
58	651-00434	Decal - Fifth O/R Control, S.S.	1
59*	T124805	Decal - Rear MTG Fifth O/R Control, C.S.	1

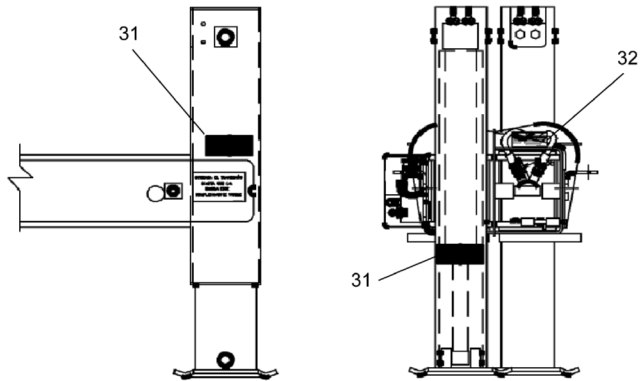
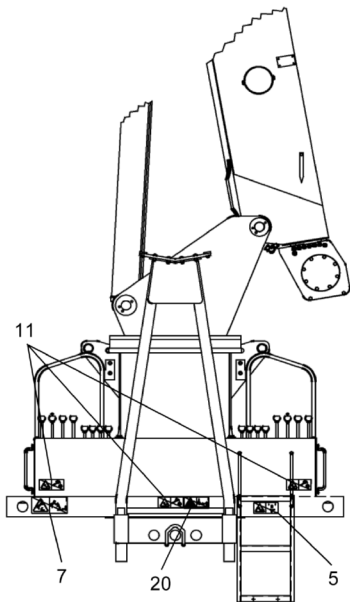
* ITEM NOT SHOWN IN ILLUSTRATION

WHEN ORDERING PARTS, SPECIFY MODEL NUMBER, SERIAL NUMBER AND DESCRIPTION OF PARTS REQUIRED

	MARKING DECAL PLACEMENT (BLACK)	DATE: Revised 05-2017	CHAPTER 4
		MODEL: 35-100	
		PAGE: 274	



SUPER DUTY FLATBED



AUX OUTRIGGER

WHEN ORDERING PARTS, SPECIFY MODEL NUMBER, SERIAL NUMBER AND DESCRIPTION OF PARTS REQUIRED



SPANISH DECALS KIT

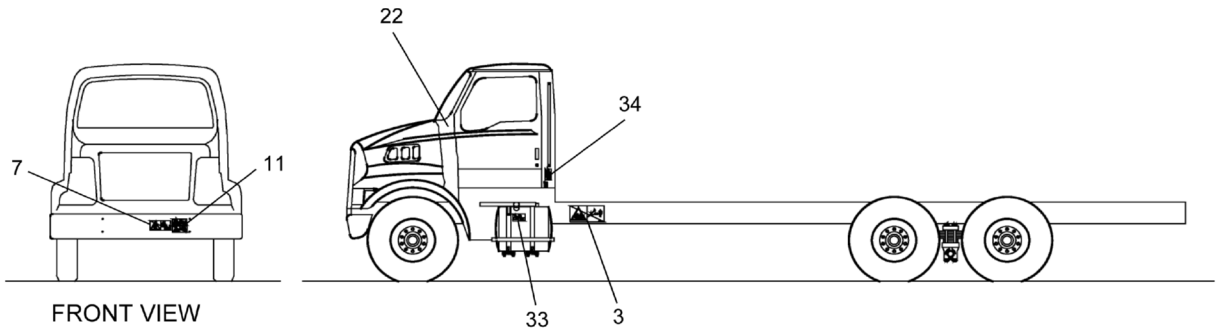
DATE: Revised 10-2017

MODEL: 35-100

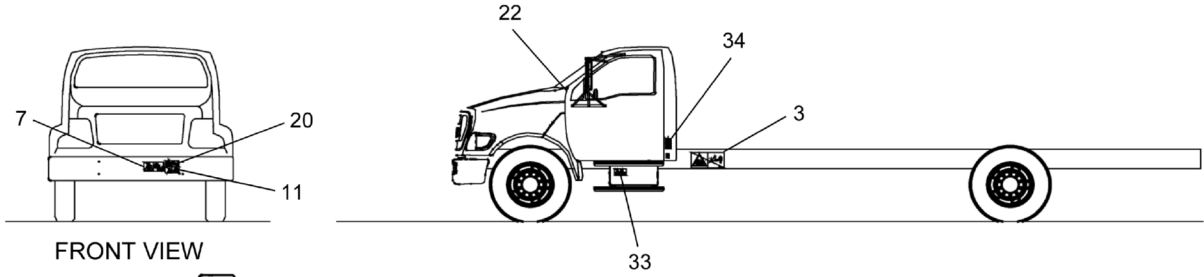
PAGE: 275

CHAPTER

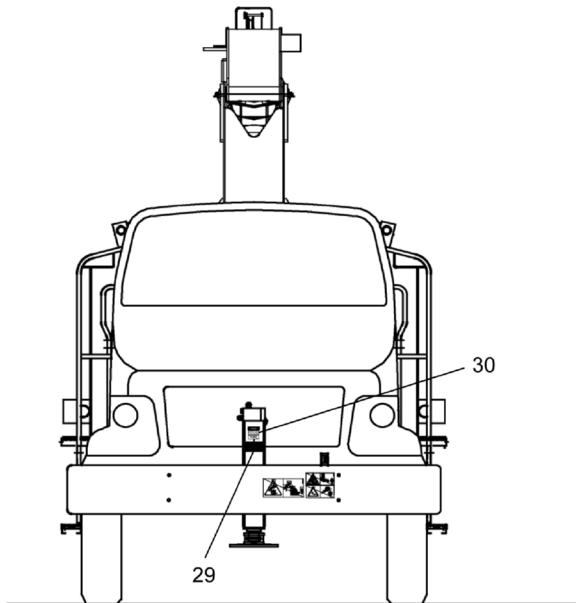
4



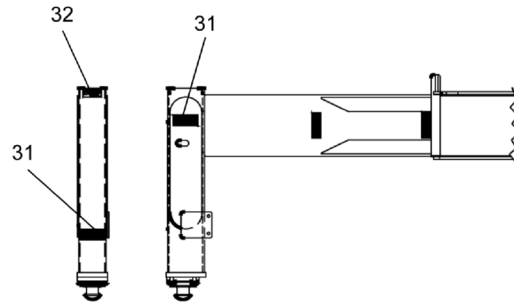
FRONT VIEW



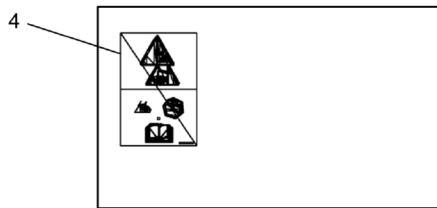
FRONT VIEW



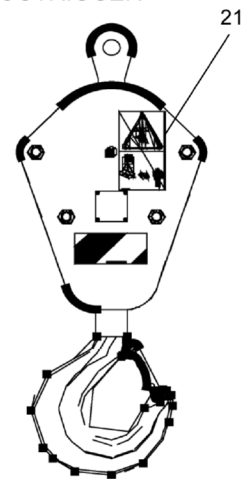
FIFTH OUTRIGGER DECAL LOCATION



MAIN OUTRIGGER



BATTERY BOX



WHEN ORDERING PARTS, SPECIFY MODEL NUMBER, SERIAL NUMBER AND DESCRIPTION OF PARTS REQUIRED



SPANISH DECALS KIT

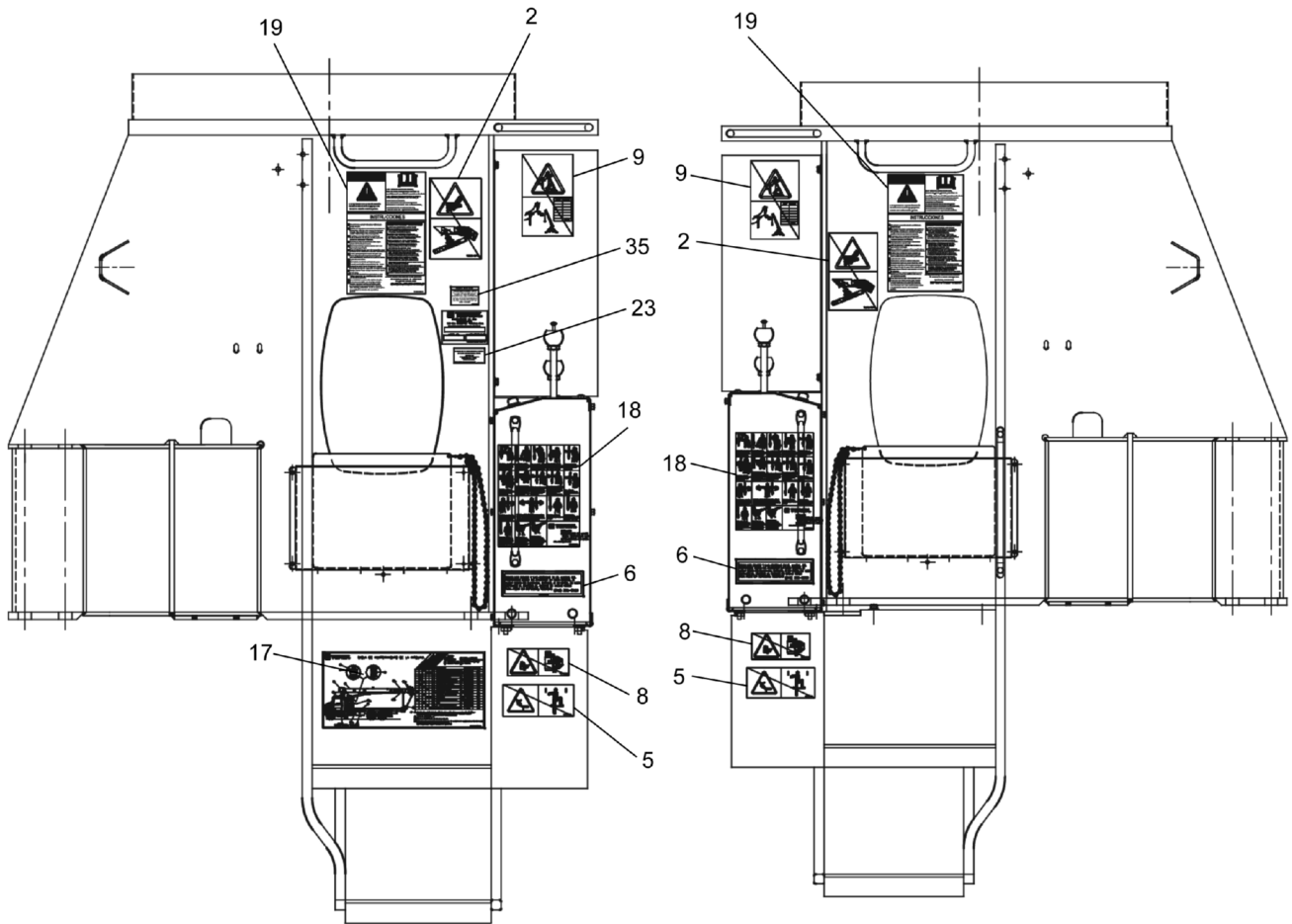
DATE: Revised 10-2017

MODEL: 35-100

PAGE: 276

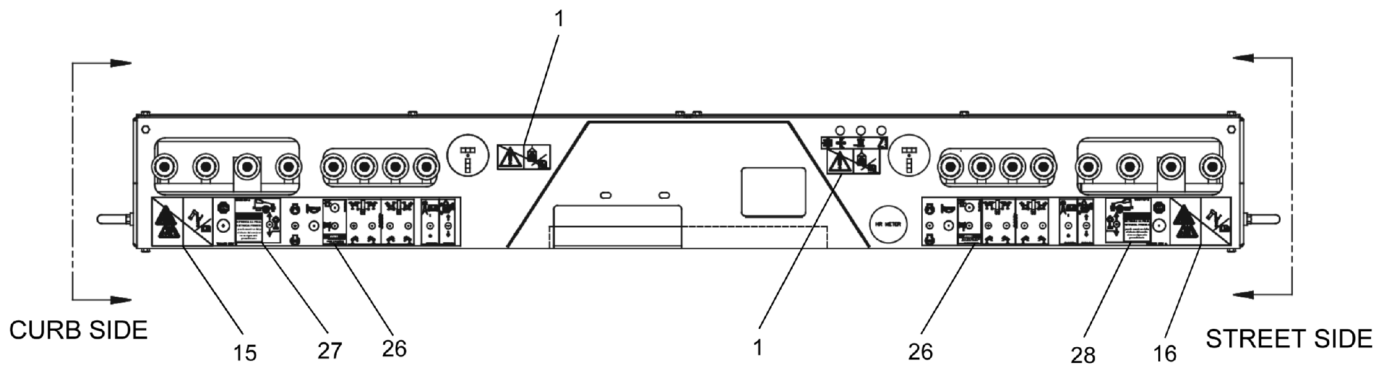
CHAPTER

4



STREET SIDE END VIEW OF CONSOLE/PEDESTAL

CURB SIDE END VIEW OF CONSOLE/PEDESTAL



TOP VIEW OPERATOR'S CONSOLE

WHEN ORDERING PARTS, SPECIFY MODEL NUMBER, SERIAL NUMBER AND DESCRIPTION OF PARTS REQUIRED



SPANISH DECALS KIT

DATE: Revised 10-2017

MODEL: 35-100

PAGE: 277

CHAPTER

4

<u>REF</u>	<u>PART NO.</u>	<u>DESCRIPTION</u>	<u>QTY</u>
	T111596-12 (Rev. C)	<i>Spanish Decals Kit</i>	
1	1007050	Decal - Personnel Lifting	2
2	1007048	Decal - Skin Injection	2
3	1007046	Decal - Entanglement	2
4	1007045	Decal - Battery Danger	1
5	1007047	Decal - Fall Hazard	3
6	T111460	Decal - Warning All-Spanish	2
7	1007052	Decal - Electrocution Hazard Person	4
8	1007049	Decal - No Ridestep/Platform	2
9	1006880	Decal - Electrocution Hazard	2
10	1006876	Decal - Jib Removal W/Lift	2
11	1007044	Decal - No Riding Boom/Jib/Load	4
12	1006878	Decal - Lanyard Hook Location	2
13	1006877	Decal - Load Line Crush Hazard	2
14	1007051	Decal - BM/Turret Crush Hazard	2
15	1007079	Decal - Console, C.S. - Spanish	1
16	1007080	Decal - Console, S.S. - Spanish	1
17	T137021	Decal - MACH Maintenance Chart SPN	1
18	T111467	Decal - Crane Hand Signals-Spanish	2
19	T118218	Decal - Operating Instructions-Spanish	2
20	T139674	Decal - Crush, Stay Clear Load HORZ	4
21	T140608	Decal - Crush, Stay Clear Load VERT	2
22	T108945	Placard -PTO Operating Instruct-Spanish	1
23	T109773	Decal - Stability Certification-Spanish	1
24	1006879	Decal - Cut/Crush Hazard	2
25	1006875	Decal - Safe Elevated Access	2
26	T111470	Decal - Motor Shift Winch-Spanish (Option)	2
27	T111473	Decal - Fifth O/R Control, C.S-Spanish (Option)	1
28	T111474	Decal - Fifth O/R Control, S.S-Spanish (Option)	1
29	1007064	Decal -"A" Frame O/R Crushing	1
30	T108955	Decal - Fifth O/R Extend/Retract-Spanish (OPT)	1
31	1007077	Decal - Out/Down O/R Crushing	12
32	T136451	Decal - O/R Beam Pin - Spanish	4
33	T119179	Decal - Danger, Diesel Explosion/Burn	1
34	T141899	Decal - Fall Hazard	2
35	T152225	Product Registration Decal White Back - Spanish	1

WHEN ORDERING PARTS, SPECIFY MODEL NUMBER, SERIAL NUMBER AND DESCRIPTION OF PARTS REQUIRED



SPANISH DECALS KIT

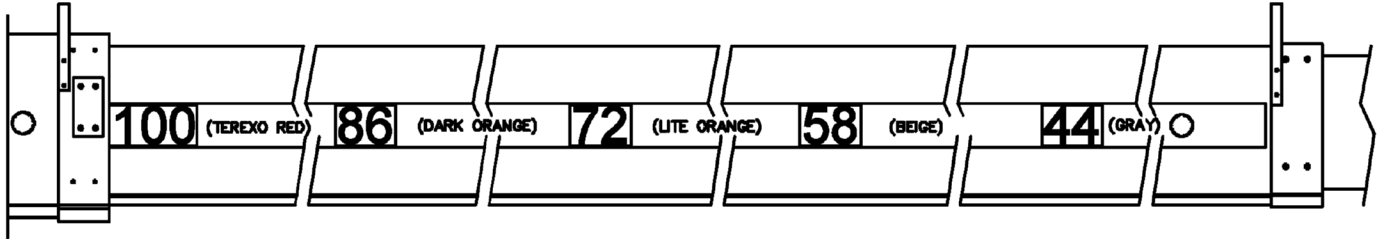
DATE: Revised 10-2017

MODEL: 35-100

PAGE: 278

CHAPTER

4



WHEN ORDERING PARTS, SPECIFY MODEL NUMBER, SERIAL NUMBER AND DESCRIPTION OF PARTS REQUIRED



**BOOM MARKING
100' - (ENGLISH)**

DATE: Revised 10-2017

MODEL: 35-100

PAGE: 279


CHAPTER

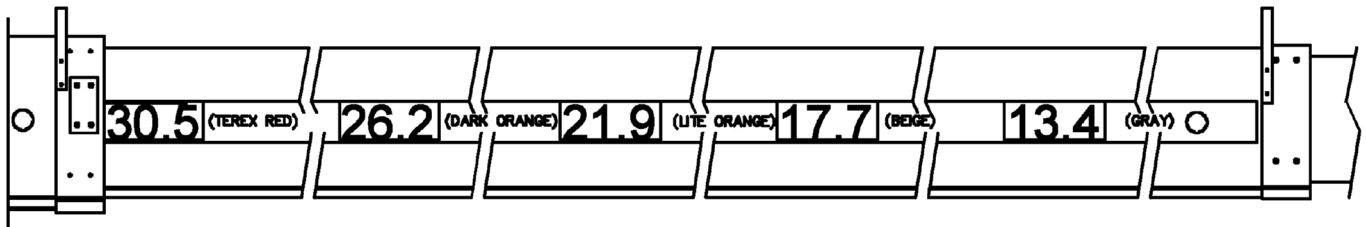
4

<u>REF</u>	<u>PART NO.</u>	<u>DESCRIPTION</u>	<u>QTY</u>
	659-00500-10 (Rev. F)	<i>100' 2nd Stage Boom Marking-English</i>	
1*	661-00000-44	Boom LG Decal 44'	2
2*	661-00000-58	Boom LG Decal 58'	2
3*	661-00000-72	Boom LG Decal 72'	2
4*	661-00000-86	Boom LG Decal 86'	2
5*	661-00000-100	Boom LG Decal 100'	2
6*	659-00012-55	STRIP, Red, 55.19" (Pantone 200 C)	2
7*	659-00011-55	STRIP, Dark Orange, 55.19" (Panton 151 C)	2
8*	659-00010-55	STRIP, Lite Orange, 55.19" (Panton 143 C)	2
9*	659-00009-55	STRIP, Beige, 55.19" (Panton 149 C)	2
10*	659-00043-55	STRIP, Gray, 55.19" (Panton 429 C)	2

* ITEM NOT SHOWN IN ILLUSTRATION.

WHEN ORDERING PARTS, SPECIFY MODEL NUMBER, SERIAL NUMBER AND DESCRIPTION OF PARTS REQUIRED

	BOOM MARKING 100' -(ENGLISH)	DATE: Revised 10-2017	CHAPTER 4
		MODEL: 35-100	
		PAGE: 280	



WHEN ORDERING PARTS, SPECIFY MODEL NUMBER, SERIAL NUMBER AND DESCRIPTION OF PARTS REQUIRED



BOOM MARKING 100' (METRIC)

DATE: Revised 10-2017

MODEL: 35-100

PAGE: 281

CHAPTER

4

<u>REF</u>	<u>PART NO.</u>	<u>DESCRIPTION</u>	<u>QTY</u>
	659-00500-34 (Rev. F)	<i>100' 2nd Stage Boom Marking-Metric</i>	
1*	661-00001-134	Boom LG Decal 13.4 (44')	2
2*	661-00001-177	Boom LG Decal 17.7 (58')	2
3*	661-00001-219	Boom LG Decal 21.9 (72')	2
4*	661-00001-262	Boom LG Decal 26.2 (86')	2
5*	661-00001-305	Boom LG Decal 30.5 (100')	2
6*	659-00012-55	STRIP, Red, 55.19" (Pantone 200 C)	2
7*	659-00011-55	STRIP, Dark Orange, 55.19" (Panton 151 C)	2
8*	659-00010-55	STRIP, Lite Orange, 55.19" (Panton 143 C)	2
9*	659-00009-55	STRIP, Beige, 55.19" (Panton 149 C)	2
10*	659-00043-55	STRIP, Gray, 55.19" (Panton 429 C)	2

* ITEM NOT SHOWN IN ILLUSTRATION.

WHEN ORDERING PARTS, SPECIFY MODEL NUMBER, SERIAL NUMBER AND DESCRIPTION OF PARTS REQUIRED

	BOOM MARKING 100' (METRIC)	DATE: Revised 10-2017	CHAPTER 4
		MODEL: 35-100	
		PAGE: 282	

<u>REF</u>	<u>PART NO.</u>	<u>DESCRIPTION</u>	<u>QTY</u>
	T129463 (Rev. A)	2-Man Steel Platform Manual, Decals- English	
1	1007075	Decal, 35-100 2-Man Working Range Diagram (English)	3
2	T129459	4th Section Boom Decal Locations (English) (see page 285)	1

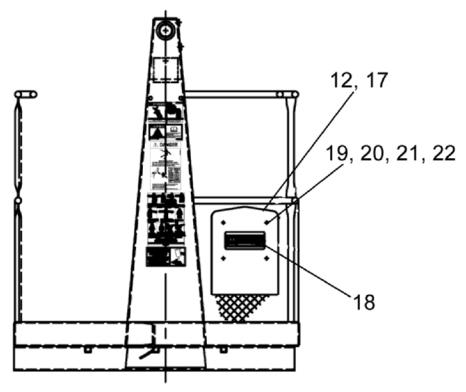
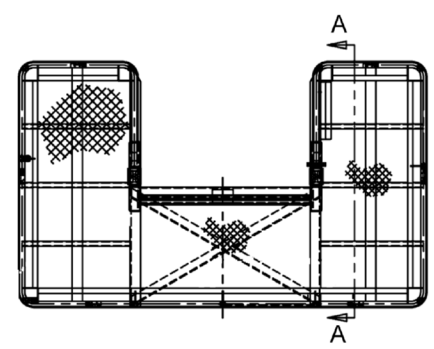
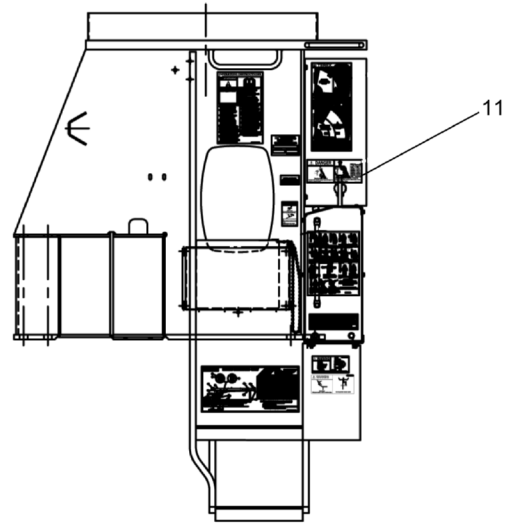
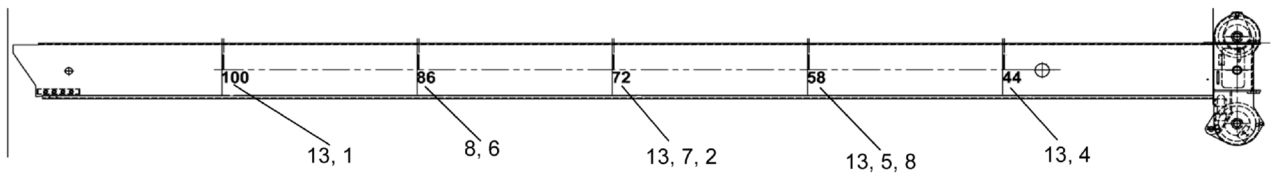
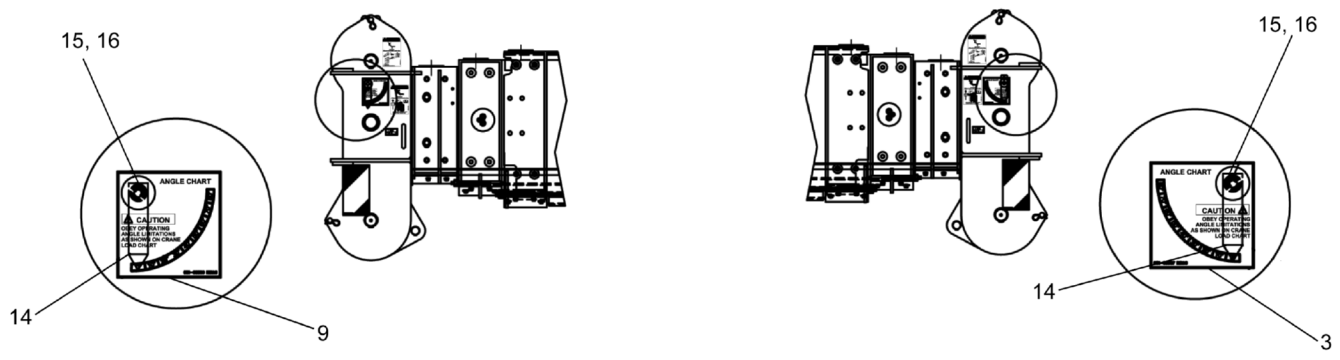
WHEN ORDERING PARTS, SPECIFY MODEL NUMBER, SERIAL NUMBER AND DESCRIPTION OF PARTS REQUIRED



**2-MAN STEEL PLATFORM
MANUAL, DECALS (ENGLISH)**

DATE: Released 02-2015
 MODEL: 35-100
 PAGE: 283

**CHAPTER
4**



VIEW A-A

WHEN ORDERING PARTS, SPECIFY MODEL NUMBER, SERIAL NUMBER AND DESCRIPTION OF PARTS REQUIRED



**2-MAN STEEL PLATFORM & 4TH
SECT. DECAL LOCATION
(ENGLISH)**

DATE: Released 02-2015
MODEL: 35-100
PAGE: 284

**CHAPTER
4**

<u>REF</u>	<u>PART NO.</u>	<u>DESCRIPTION</u>	<u>QTY</u>
	T129459 (Rev. A)	<i>4th Section Boom Decal Locations (English)</i>	
1	1006839	Decal - Number 1 (White)	2
2	1006839	Decal - Number 2 (White)	2
3	651-00367	Decal - Angle Chart R.H.	1
4	1006839	Decal - Number 4 (White)	4
5	1006839	Decal - Number 5 (White)	2
6	1006839	Decal - Number 6 (White)	2
7	1006839	Decal - Number 7 (White)	4
8	1006839	Decal - Number 8 (White)	4
9	651-00366	Decal - Angle Chart L.H.	1
10*	1006839	Decal - Number 0 (White)	4
11	1007056	Decal, Electrocutation Hazard (Horizontal)	2
12	T128911	Steel Personnel Platform Installation & Operation Manual	1
13	1006839	Decal - Indicating Line 4.5" (White)	10
14	729-02579	Angle Pointer	2
15	WAR-375X000-22	WSH, FL, TYPA-REG 0.375, ST SQC G2	2
16	NYL-375C000-25	Nut, HEX NYL-INS 0.375-16, ST SQC G5	2
17	T127361	Box, Manual Storage	1
18	1006833	Decal, All Sign & Charts	1
19	SHF-250C750-25	SCR, HHCS, FT 0.25-20 X 0.75, ST SQC G5	4
20	WBR-25RX734-20	WSH, FL TYPB-REG 0.25, ST SQC	4
21	WFD-250XA50-20	WSH, FNDR 0.25 X 1.50, ST SQC	4
22	NYL-250C000-25	Nut, HEX NYL-INS 0.25-20, ST SQC G5	4

* ITEM NOT SHOWN IN ILLUSTRATION

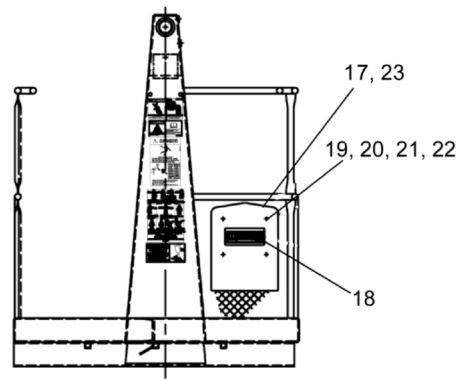
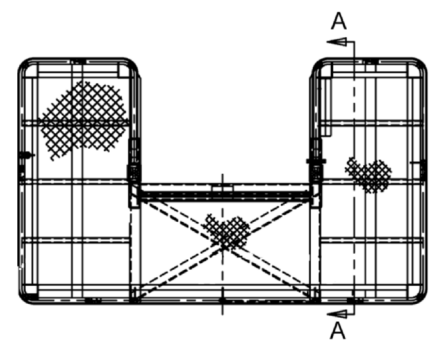
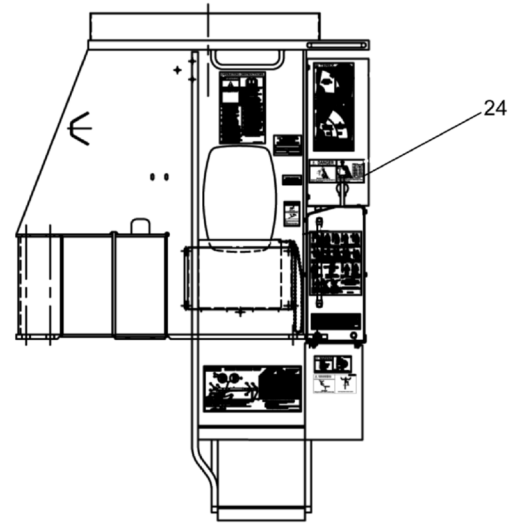
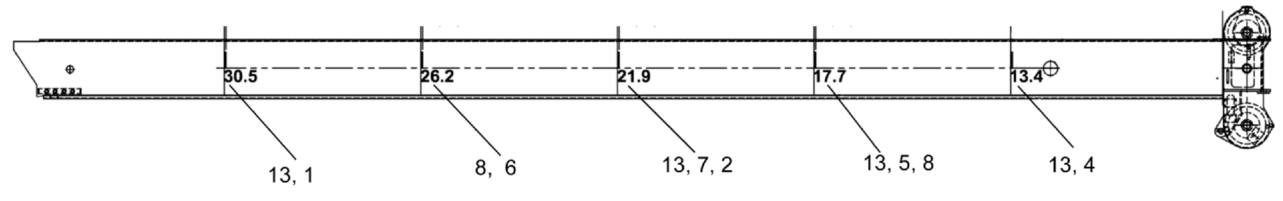
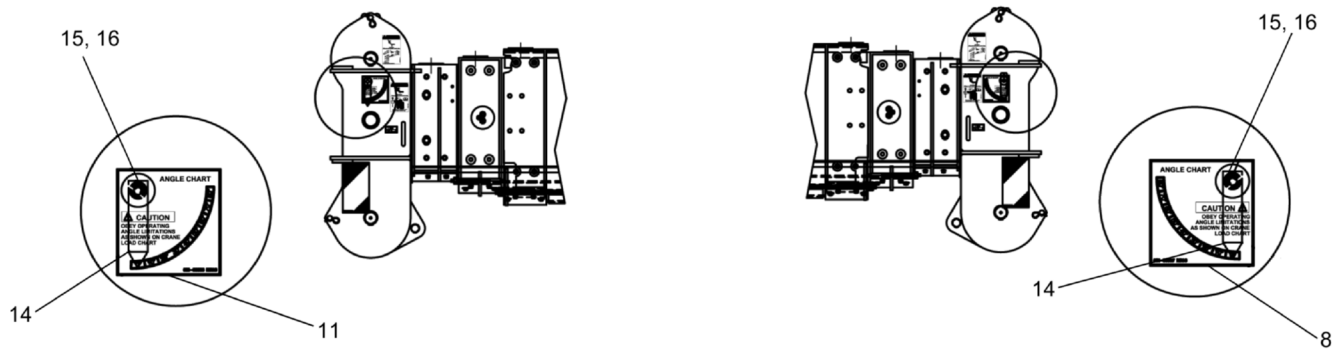
WHEN ORDERING PARTS, SPECIFY MODEL NUMBER, SERIAL NUMBER AND DESCRIPTION OF PARTS REQUIRED

	2-MAN STEEL PLATFORM & 4TH SECT. DECAL LOCATION (ENGLISH)	DATE: Released 02-2015	CHAPTER 4
		MODEL: 35-100	
		PAGE: 285	

<u>REF</u>	<u>PART NO.</u>	<u>DESCRIPTION</u>	<u>QTY</u>
	T129464 (Rev. A)	2-Man Steel Platform Manual, Decals- Metric	
1	1007076	Decal, 35-100 2-Man Working Range Diagram (Metric)	3
2	T129460	2-Man Platform & 4th Section Boom Decal Locations (Metric) (see page 288)	1

WHEN ORDERING PARTS, SPECIFY MODEL NUMBER, SERIAL NUMBER AND DESCRIPTION OF PARTS REQUIRED

	2-MAN STEEL PLATFORM MANUAL, DECALS (METRIC)	DATE: Released 02-2015	CHAPTER 4
		MODEL: 35-100	
		PAGE: 286	



VIEW A-A

WHEN ORDERING PARTS, SPECIFY MODEL NUMBER, SERIAL NUMBER AND DESCRIPTION OF PARTS REQUIRED



**2-MAN STEEL PLATFORM & 4TH
SECT. DECAL LOCATION
(METRIC)**

DATE: Revised 05-2018
MODEL: 35-100
PAGE: 287

**CHAPTER
4**

<u>REF</u>	<u>PART NO.</u>	<u>DESCRIPTION</u>	<u>QTY</u>
	T129460 (Rev. B)	<i>2-Man Platform & 4th Section Boom Decal Locations (Metric)</i>	
1	1006839	Decal - Number 1 (White)	6
2	1006839	Decal - Number 2 (White)	4
3*	1006839	Decal - Number 3 (White)	4
4	1006839	Decal - Number 4 (White)	2
5	1006839	Decal - Number 5 (White)	2
6	1006839	Decal - Number 6 (White)	2
7	1006839	Decal - Number 7 (White)	4
8	651-00367	Decal - Angle Chart R.H.	1
9*	1006839	Decal - Number 9 (White)	2
10*	1006839	Decal - Number 0 (White)	2
11	651-00366	Decal - Angle Chart L.H.	1
12*	1006839	Decal - Decimal Point (White)	10
13	1006839	Decal - Indicating Line 4.5" (White)	10
14	729-02579	Angle Pointer	2
15	WAR-375X000-22	WSH, FL, TYPB-REG 0.375, ST SQC G2	2
16	NYL-375C000-25	Nut, HEX NYL-INS 0.375-16, ST SQC G5	2
17	T127361	Box, Manual Storage	1
18	1006833	Decal, All Sign & Charts	1
19	SHF-250C750-25	SCR, HHCS, FT 0.25-20 X 0.75, ST SQC G5	4
20	WBR-25RX734-20	WSH, FL TYPB-REG 0.25, ST SQC	4
21	WFD-250XA50-20	WSH, FNDR 0.25 X 1.50, ST SQC	4
22	NYL-250C000-25	Nut, HEX NYL-INS 0.25-20, ST SQC G5	4
23	T128911	Steel Personnel Platform Installation & Operation Manual	1
24	1007056	Decal, Electrocution Hazard (Horizontal)	2

* ITEM NOT SHOWN IN ILLUSTRATION

WHEN ORDERING PARTS, SPECIFY MODEL NUMBER, SERIAL NUMBER AND DESCRIPTION OF PARTS REQUIRED



**2-MAN STEEL PLATFORM & 4TH
SECT. DECAL LOCATION
(METRIC)**

DATE: Revised 05-2018

MODEL: 35-100

PAGE: 288

CHAPTER

4


CHAPTER NO. 5

MANUALS



<u>REF</u>	<u>PART NO.</u>	<u>DESCRIPTION</u>	<u>QTY</u>
		35-100-MANUALS (Rev. 00) <i>MANUALS</i>	
1	218883	Manual Pack, English (see page 292)	
1A	221354	Manual Pack, Spanish (see page 293)	
1B	221964	Manual Pack, French (see page 294)	

WHEN ORDERING PARTS, SPECIFY MODEL NUMBER, SERIAL NUMBER AND DESCRIPTION OF PARTS REQUIRED

	<h1>MANUALS</h1>	DATE: Revised 10-2017	CHAPTER 5
		MODEL: 35-100	
		PAGE: 291	

<u>REF</u>	<u>PART NO.</u>	<u>DESCRIPTION</u>	<u>QTY</u>
	218883 (Rev. 00)	<i>Manual Pack, English</i>	
1	12261-351	CD-Operator's, Parts, Shop & Schematics	1
2	12261-297	35-100 Parts Manual	1
3	12261-298	35-100 Operator's Manual	1
4	12261-302	Customer Orientation & Operation Checkout	1
5	MC-1407	AEM Safety Manual	1
6	V-CR	AEM Safety Video	1
7	12261-644	Greer Insight Operation's Video - DVD	1
8	T144483	Product Warranty Certificate-24 Month	1

WHEN ORDERING PARTS, SPECIFY MODEL NUMBER, SERIAL NUMBER AND DESCRIPTION OF PARTS REQUIRED

	<h1>MANUAL PACK-ENGLISH</h1>	DATE: Revised 05-2017	CHAPTER 5
		MODEL: 35-100	
		PAGE: 292	

<u>REF</u>	<u>PART NO.</u>	<u>DESCRIPTION</u>	<u>QTY</u>
	221354 (Rev. 00)	<i>Manual Pack, Spanish</i>	
1	12261-493	CD-Operator's, Parts, Shop & Schematics	1
2	12261-297	35-100 Parts Manual	1
3	12261-469	35-100 Operator's Manual	1
4	12261-302	Customer Orientation & Operation Checkout	1
5	MC-1407	AEM Safety Manual	1
6	V-CR	AEM Safety Video	1
7	12261-644	Greer Insight Operation's Video - DVD	1
8	T144484	Product Warranty Certificate-24 Month	1

WHEN ORDERING PARTS, SPECIFY MODEL NUMBER, SERIAL NUMBER AND DESCRIPTION OF PARTS REQUIRED

 <small>BY CUSTOM TRUCK SOURCE</small>	<h1>MANUAL PACK-SPANISH</h1>	DATE: Revised 05-2017	CHAPTER <h1>5</h1>
		MODEL: 35-100	
		PAGE: 293	

<u>REF</u>	<u>PART NO.</u>	<u>DESCRIPTION</u>	<u>QTY</u>
	221964 (Rev. 00)	<i>Manual Pack, French</i>	
1	12261-497	CD-Operator's, Parts, Shop & Schematics	1
2	12261-297	35-100 Parts Manual	1
3	12261-487	35-100 Operator's Manual	1
4*	12261-302	Customer Orientation & Operation Checkout	1
5	MC-1407	AEM Safety Manual	1
6	V-CR	AEM Safety Video	1
7	12261-644	Greer Insight Operation's Video - DVD	1
8	T144486	Product Warranty Certificate-24 Month	1

* ITEM NOT SHOWN IN ILLUSTRATION

WHEN ORDERING PARTS, SPECIFY MODEL NUMBER, SERIAL NUMBER AND DESCRIPTION OF PARTS REQUIRED

	MANUAL PACK-FRENCH	DATE: Revised 05-2017	CHAPTER 5
		MODEL: 35-100	
		PAGE: 294	

CHAPTER NO. 6

RECOMMENDED SPARE PARTS

RECOMMENDED SPARE PARTS

<u>Part no.</u>	<u>Description</u>	<u>Qty</u>	<u>Page</u>
2NT1-50	Switch Toggle, On-On-Mom On	1	264
400-04122	Toggle Switch, Micro	1	51, 77, 188,
400-04123	Switch Start/Stop	1	50, 76
400-04125	Switch Momentary	1	50, 76
400-04990	Switch Boot	1	242
400-05109	Switch, O/R Warning	1	53
400-05418	Thermal Switch-160°	1	242
400-09113	Light, 2 1/2" Red Reflectized, TL#10205R	1	206
410-04124	Switch, Toggle On/Off	1	249
501-02018	Filter Element	1	225, 229, 231
540-00061	Cylinder, HORZ AUX O/R (Gray) (Fisher Division of Ligon)	1	182, 184
540-10043	Cylinder, Beam Extend	2	143, 145
540-20142	Jack Cylinder	1	190
540-30181	Cylinder, VERT AUX O/R (Gray) (Fisher Division of Ligon)	1	182, 186
540-50022-P7	Cylinder, Jack (Gray)	2	143
550-00314	Valve ASSY, Winch	1	54
551-10142	Valve ASSY, SOL-O/R CONT	1	190
651-00253	Decal - Warning All	1	273
1006868	Decal - Electrocution Hazard	1	273
1006869	Decal-Hands Off Rail	1	260
651-00470	Decal - Personnel Lifting	1	273
651-00473	Decal - Battery Danger	1	273
652-00073	Decal - Hydraulic Oil Only	1	273
1006862	Decal - Crane Hand Signals	1	273
652-00496	Decal, Crane Hand Signals	1	321
653-00411	Decal - Crush Hazard	1	273
729-02170	Wear Pad-1/2 THK. (2-761)	1	32, 91
729-02175	Wear Pad 2 X 6 PLYSRT (00765)	1	208
729-02235	Wear Pad, 2 Hole W/POLYSERT (2-803)	1	33
729-02236	Wear Pad 1 3/4 X 7 CSK (2-802)	1	32
729-02335	Wear Pad Anti-Shift 2nd (2-840)	1	33
729-02341	Wear Pad 1.50 X 3.50 PLYS	1	91, 140
729-02348	Wear Pad-2 Hole (3-142)	1	34
729-02611	Wear Pad, Jib Stow BRKT	1	87, 90
729-02619	Wear Pad, 2 Hole W/Polysert (2-765)	1	32
729-02680	Wear Pad, W/Polysert (000-00765)	2	143
729-02693	Wear Pad, 6 3/8 X 2 X 3/4	1	34
729-02713	Wear Pad 1 3/4 X 7 CSK (2-802)	1	34
729-02759	Wear Pad 1-3/4 X 6 - 3/4 X 2 W/Polysert	1	33
786-01774	MTG. O/R Warning Switch	1	53

WHEN ORDERING PARTS, SPECIFY MODEL NUMBER, SERIAL NUMBER AND DESCRIPTION OF PARTS REQUIRED



RECOMMENDED SPARE PARTS

DATE: Revised 05-2018

Model: 35-100

PAGE: 297

CHAPTER

6

RECOMMENDED SPARE PARTS

<u>Part no.</u>	<u>Description</u>	<u>Qty</u>	<u>Page</u>
860-10009	ASSY, Sheave 5/16" Cable	1	32, 39
861-90434	ATB Switch ASSY Heavy Duty	1	42
1223-981	E-Stop Push Button	1	50, 76
1223-1021	Lamp	1	77
12400-1003	Decal - Fire Extinguisher	1	273
12400-1503	Decal - Skin Injection	1	273
1006841	Decal - Entanglement	1	273
12400-1508	Decal - Danger, Diesel Explosion/Burn	1	273
12400-1516	Decal - Fall Hazard	1	273
221101	Seal Kit (Items 1 thru 9)	2	184
221125	Seal Kit (Items 1 thru 9)	2	186
226098	Seal Kit (Items 1 thru 9)	1	192
419264A	Platform Danger Decal (TEL)	1	260
P02-188XA50-20	Pin, Cotter, 0.1875 X 1.50, ST SQC	1	91
S16-312C625-20	SCR, FHSCHS 0.312-18 X 0.625, ST SQC	1	91
SHF-312C625-25	SCR, HHCS FT 0.312-18 X 0.625, ST SQC G5	1	91
SHF-375CA50-25	SCR, HHCS FT 0.375-16 X 1.50, ST SQC G5	1	199
T106560	Decal - Electrocution HAZ Person	1	273
1006877	Decal - Load Line Crush Hazard	1	278
1006879	Decal - Cut/Crush Hazard	1	278
1006880	Decal - Electrocution Hazard	1	278
1007045	Decal - Battery Danger	1	278
1007046	Decal - Entanglement	1	278
1007047	Decal - Fall Hazard	1	278
1007048	Decal - Skin Injection	1	278
1007050	Decal - Personnel Lifting	1	278
1007051	Decal - BM/Turret Crush Hazard	1	278
1007052	Decal - Electrocution Hazard Person	1	278
T111460	Decal - Warning All-Spanish	1	278
T127259	Decal-Remote Warning	1	249, 260
1007054	Decal, Personnel Platform Electrocution	1	260
1007064	Decal -"A" Frame O/R Crushing	1	278
T141898	Decal - Fall Hazard	1	273

WHEN ORDERING PARTS, SPECIFY MODEL NUMBER, SERIAL NUMBER AND DESCRIPTION OF PARTS REQUIRED



RECOMMENDED SPARE PARTS

DATE: Revised 05-2018

Model: 35-100

PAGE: 298

CHAPTER

6